



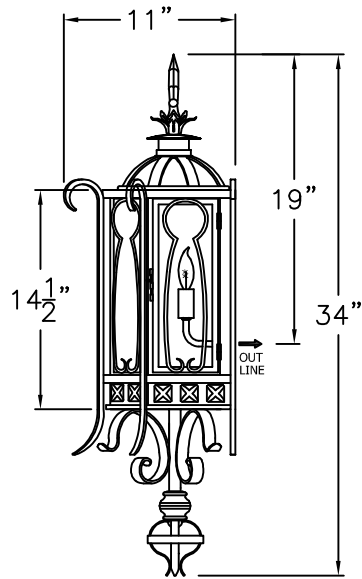
SOLARA

Iron Doors & Lighting

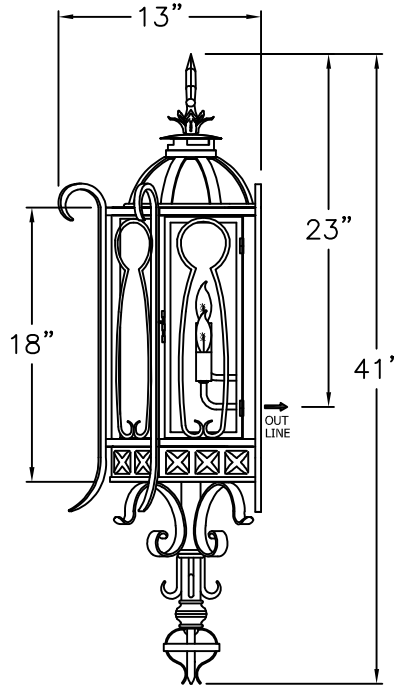


Arezzo - E006

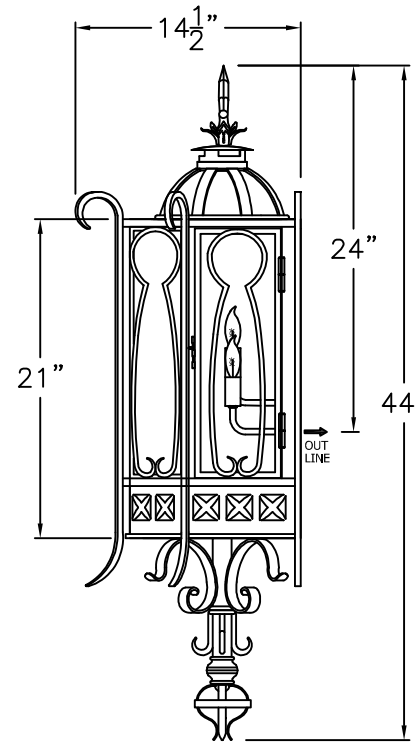




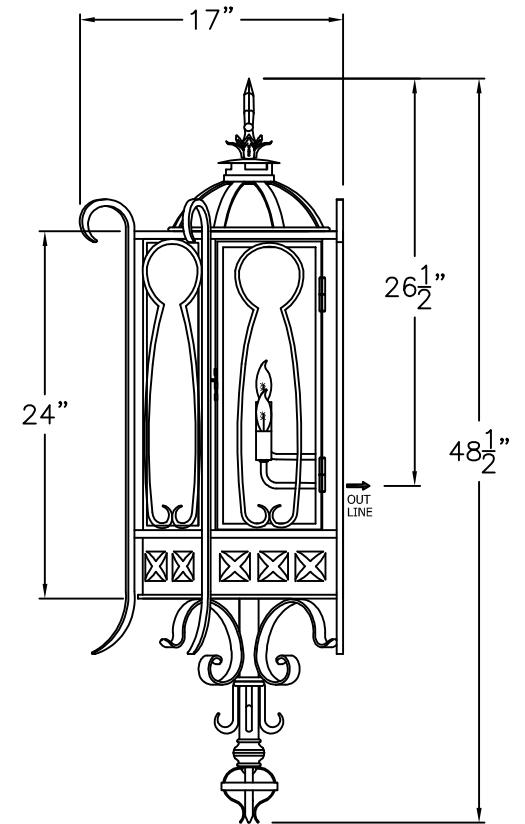
SMALL
E-006-001
14 1/2" W x 34" H x 11" D



MEDIUM
E-006-002
17 1/2" W x 41" H x 13" D



LARGE
E-006-003
19" W x 44" H x 14 1/2" D



X-LARGE
E-006-004
22" W x 48 1/2" H x 17" D

ONLY AVAILABLE
IN ELECTRIC

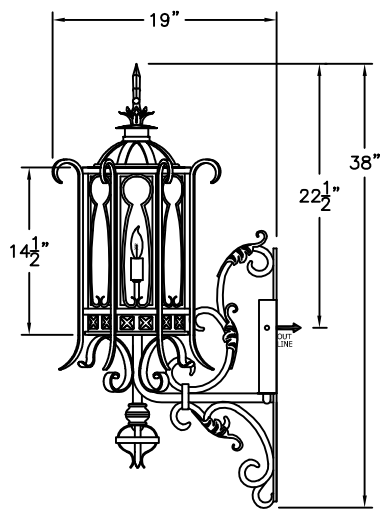
* ACTUAL DIMENSIONS MAY VARY UP TO 1/2"

CUSTOM DRAWING CHANGES:

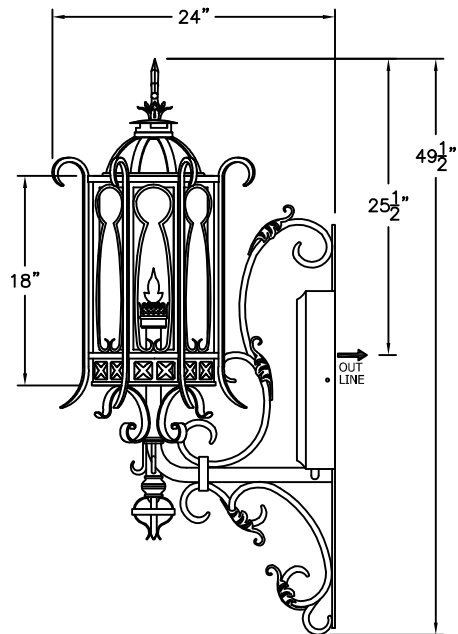
© 2010 SOLARA ENCHAINMENT
UNAUTHORIZED USE OF THIS
PLAN IS IN VIOLATION OF THE
U.S. COPYRIGHT ACT TITLE 17
OF THE U.S. CODE



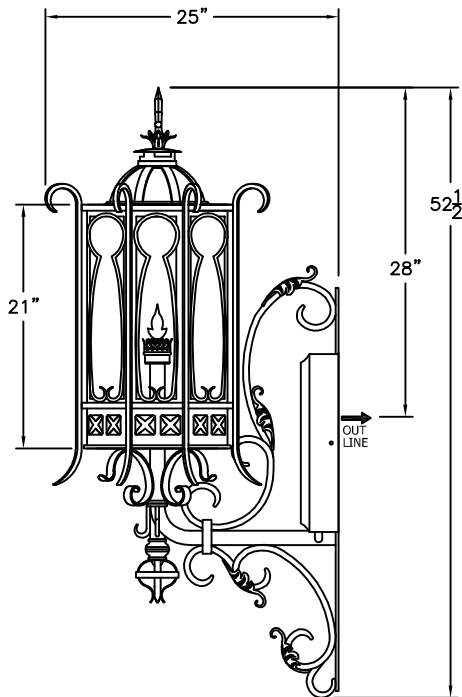
DESIGN:	AREZZO
LINE:	SCONCE MOUNT
FILE:	E-006-00SET-EL-S100-2
DATE REV:	28-SEP-10



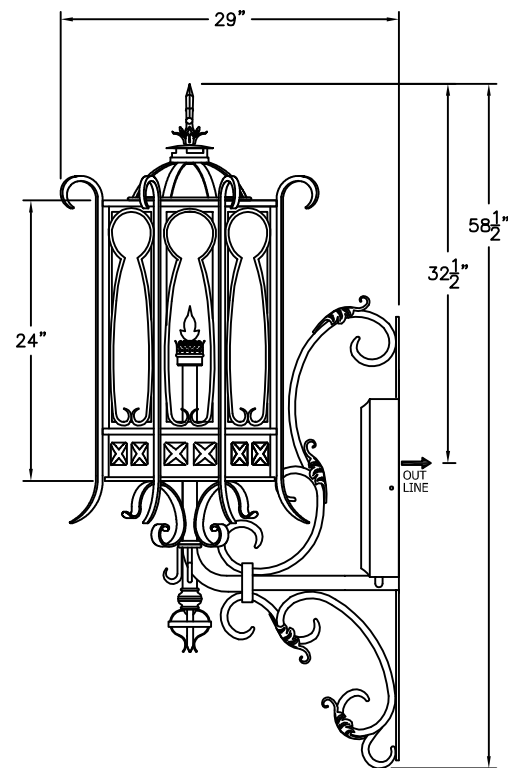
SMALL
E-006-011
14 1/2" W x 38" H x 19" D



MEDIUM
E-006-012
17 1/2" W x 49 1/2" H x 24" D



LARGE
E-006-013
19" W x 52 1/2" H x 25" D



X-LARGE
E-006-014
22" W x 58 1/2" H x 29" D

AVAILABLE IN
GAS & ELECTRIC
WITH EXCEPTION
OF SMALL SIZE

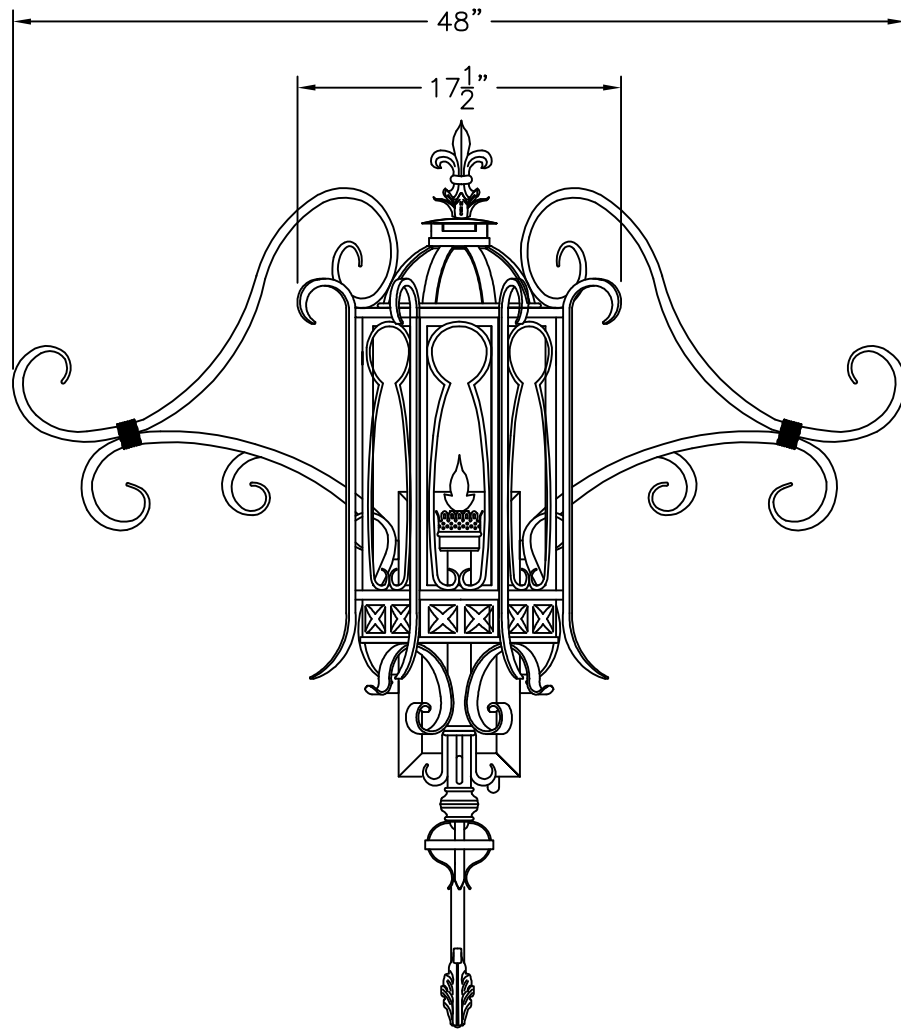
* ACTUAL DIMENSIONS MAY VARY UP TO 1/2"

CUSTOM DRAWING CHANGES:

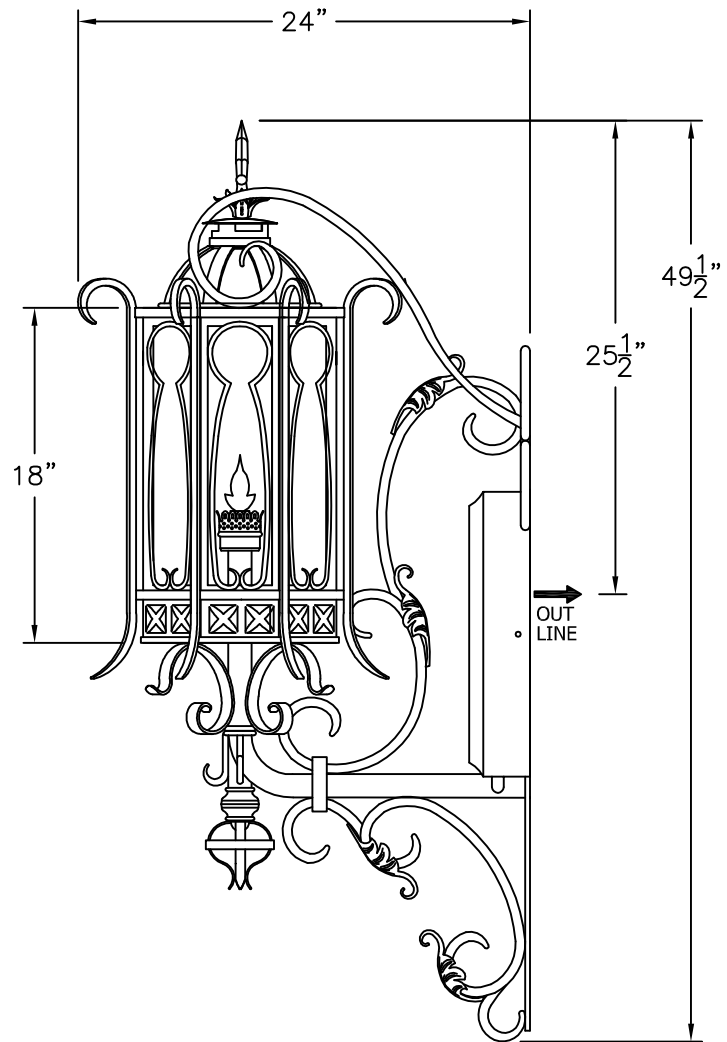
© 2010 SOLARA ENCHAINMENT
UNAUTHORIZED USE OF THIS
PLAN IS IN VIOLATION OF THE
U.S. COPYRIGHT ACT TITLE 17
OF THE U.S. CODE



DESIGN:	AREZZO
LINE:	WALL MOUNT
FILE:	E-006-01SET-EG-S100-3
DATE REV:	28-SEP-10



FRONT VIEW



SIDE VIEW

MEDIUM
E-006-022

48" W x 49 1/2" H x 24" D

AVAILABLE IN
GAS & ELECTRIC
WITH EXCEPTION
OF SMALL SIZE

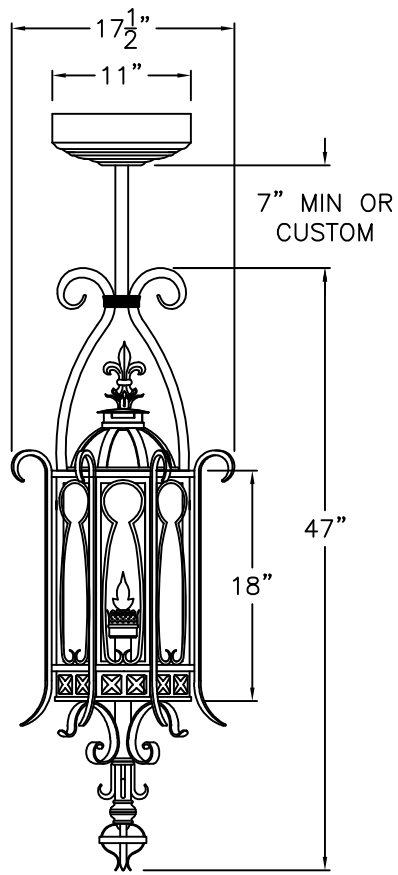
* ACTUAL DIMENSIONS MAY VARY UP TO 1/2"

CUSTOM DRAWING CHANGES:

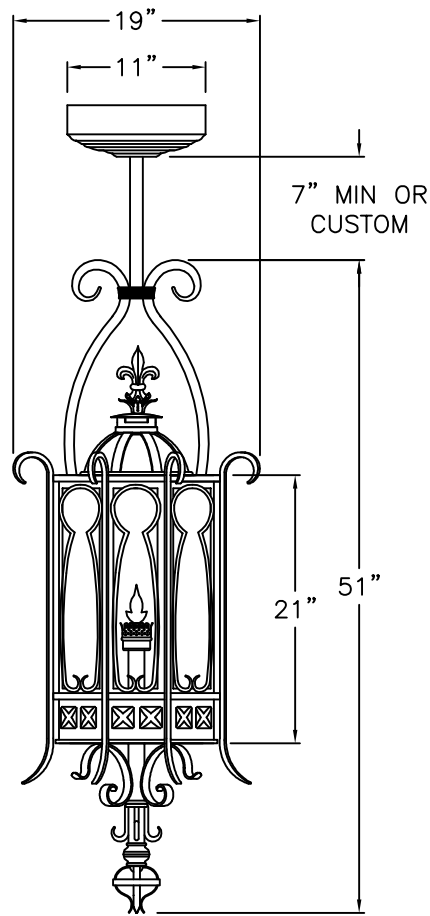
© 2010 SOLARA ENCHAINMENT
UNAUTHORIZED USE OF THIS
PLAN IS IN VIOLATION OF THE
U.S. COPYRIGHT ACT TITLE 17
OF THE U.S. CODE



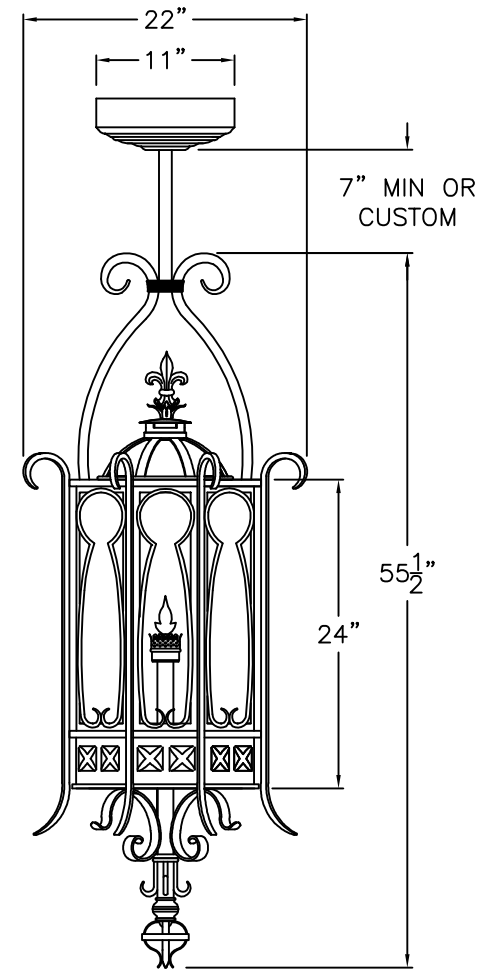
DESIGN:	AREZZO
LINE:	CENTRAL MOUNT
FILE:	E-006-022-EG-S100-2
DATE REV:	28-SEP-10



MEDIUM
E-006-032
17 1/2" W x 47" H



LARGE
E-006-033
19" W x 51" H



X-LARGE
E-006-034
22" W x 55 1/2" H

AVAILABLE IN
GAS & ELECTRIC
WITH EXCEPTION
OF SMALL SIZE

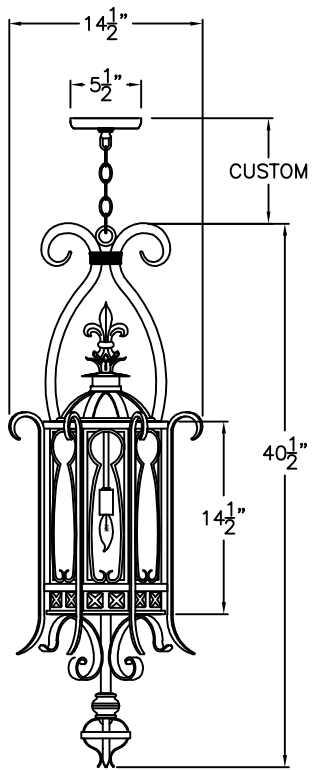
* ACTUAL DIMENSIONS MAY VARY UP TO 1/2"

CUSTOM DRAWING CHANGES:

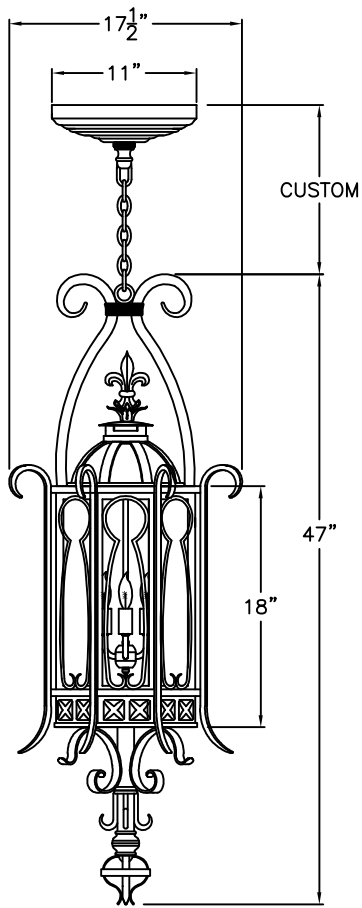
© 2010 SOLARA ENCHAINMENT
UNAUTHORIZED USE OF THIS
PLAN IS IN VIOLATION OF THE
U.S. COPYRIGHT ACT TITLE 17
OF THE U.S. CODE



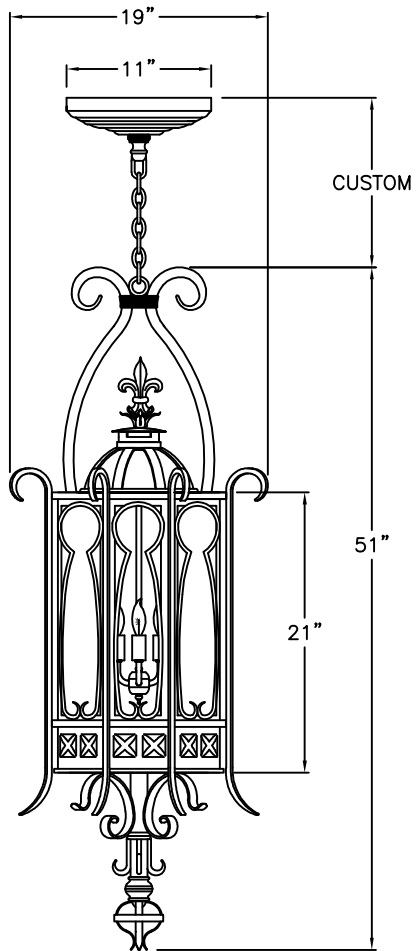
DESIGN:	AREZZO
LINE:	PENDANT STEM
FILE:	E-006-03SET-EG-S100-2
DATE REV:	28-SEP-10



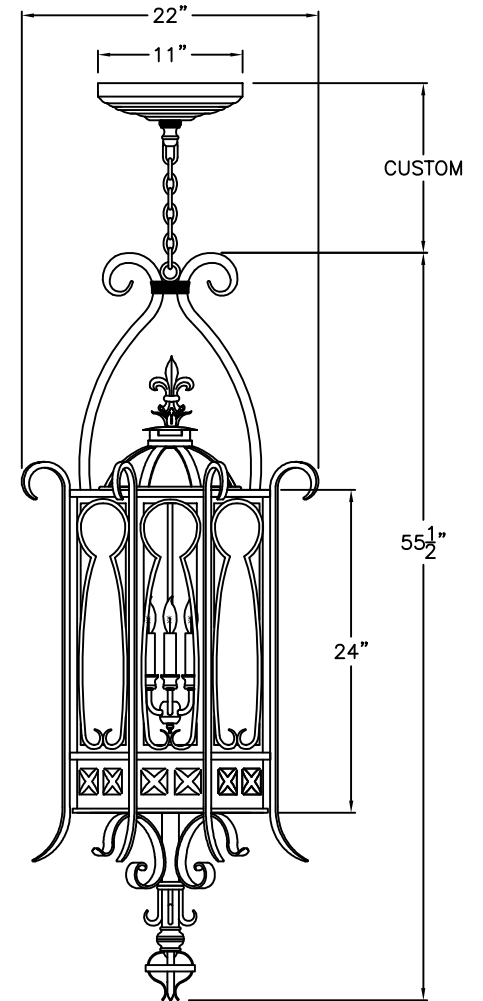
SMALL
E-006-041
14 1/2" W x 40 1/2" H



MEDIUM
E-006-042
17 1/2" W x 47" H



LARGE
E-006-043
19" W x 51" H



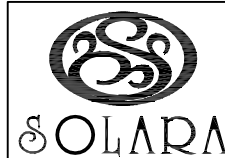
X-LARGE
E-006-044
22" W x 55 1/2" H

ONLY AVAILABLE
IN ELECTRIC

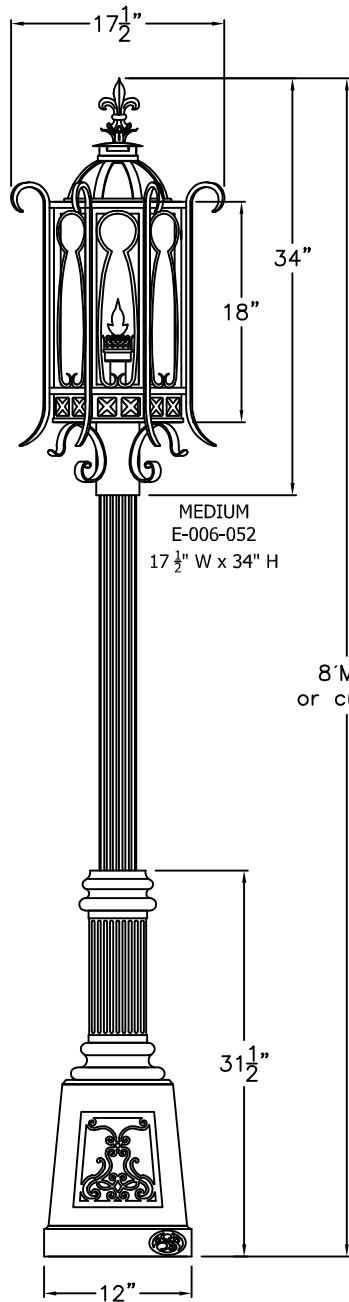
* ACTUAL DIMENSIONS MAY VARY UP TO 1/2"

CUSTOM DRAWING CHANGES:

© 2010 SOLARA ENCHAINMENT
UNAUTHORIZED USE OF THIS
PLAN IS IN VIOLATION OF THE
U.S. COPYRIGHT ACT TITLE 17
OF THE U.S. CODE



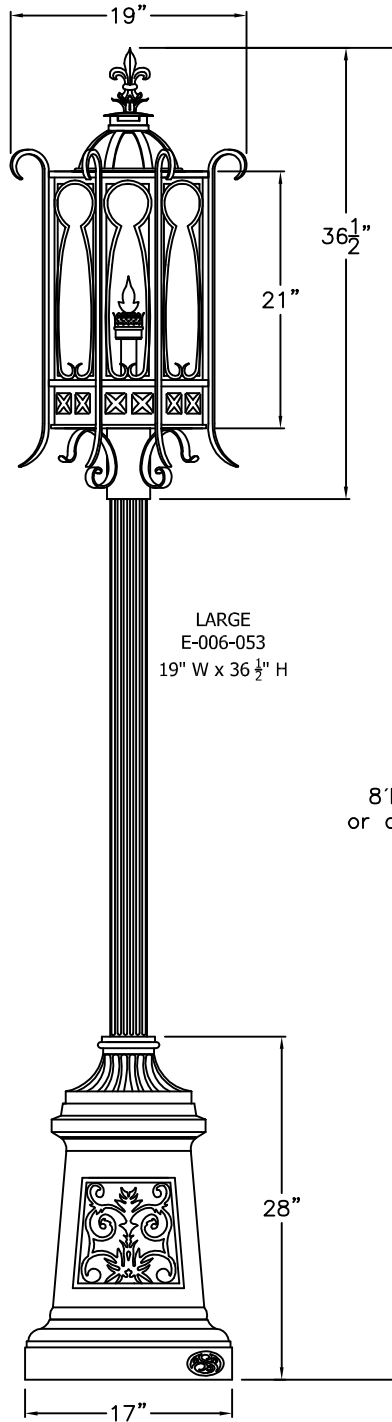
DESIGN:	AREZZO
LINE:	PENDANT CHAIN
FILE:	E-006-04SET-EL-S100-2
DATE REV:	28-SEP-10



MEDIUM
E-006-052
17 1/2" W x 34" H

8' MIN
or custom

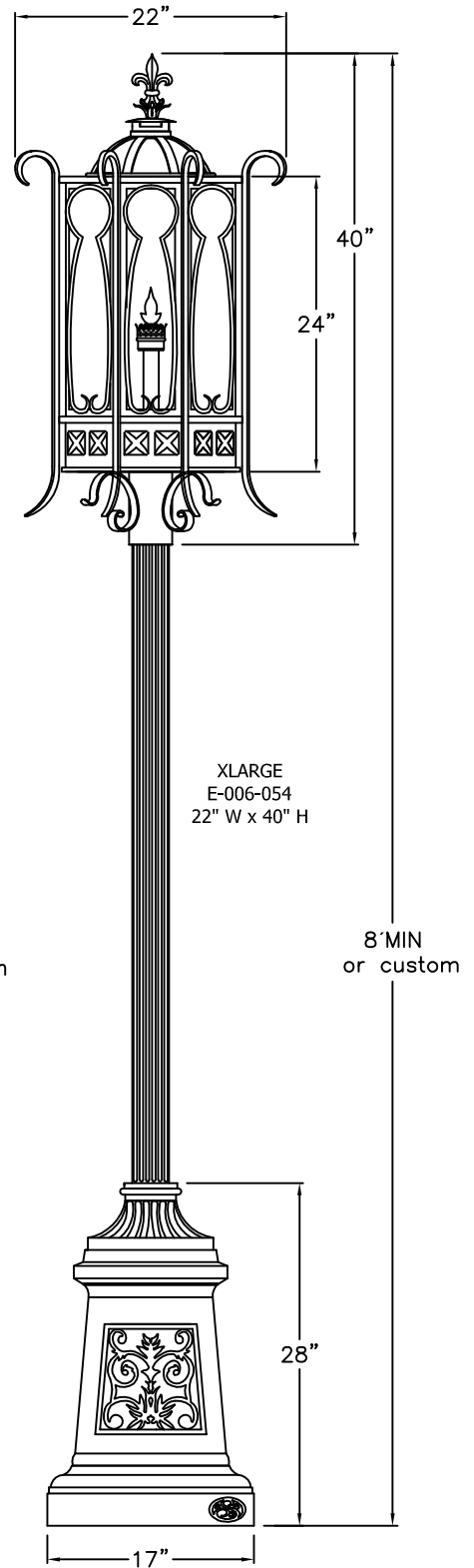
SOLARA BASE



LARGE
E-006-053
19" W x 36 1/2" H

8' MIN
or custom

MUNICH BASE



XLARGE
E-006-054
22" W x 40" H

8' MIN
or custom

AVAILABLE IN
GAS & ELECTRIC
WITH EXCEPTION
OF SMALL SIZE

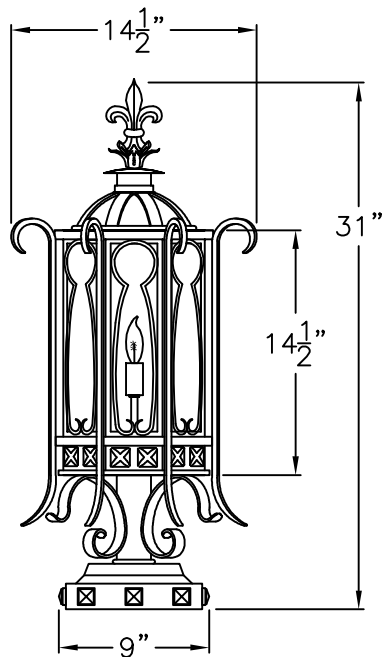
* POST ARE SOLD SEPARATELY
* ACTUAL DIMENSIONS MAY VARY UP TO 1/2"

CUSTOM DRAWING CHANGES:

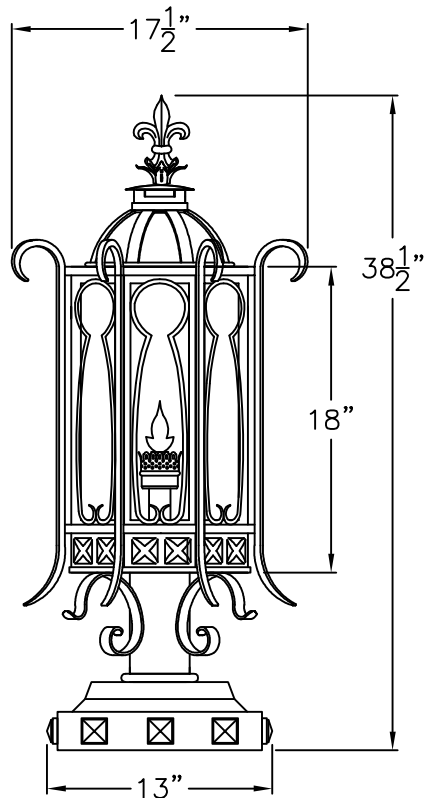
© 2010 SOLARA ENCHAINMENT
UNAUTHORIZED USE OF THIS
PLAN IS IN VIOLATION OF THE
U.S. COPYRIGHT ACT TITLE 17
OF THE U.S. CODE



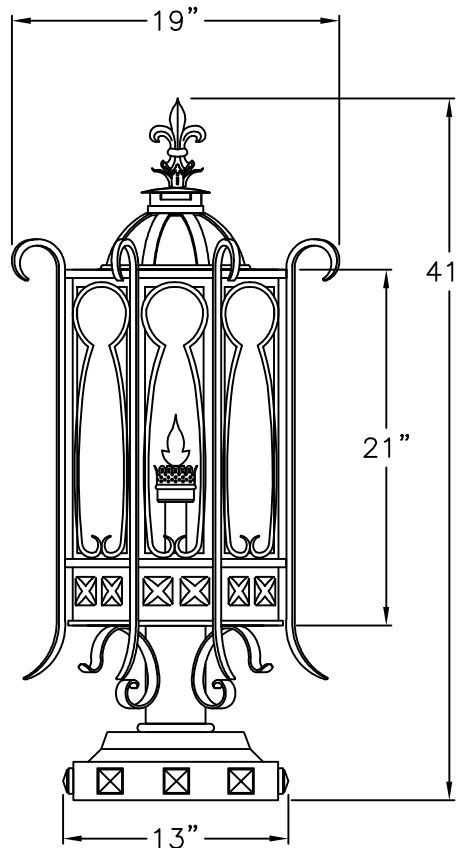
DESIGN: AREZZO
LINE: POST MOUNT
FILE: E-006-05SET-EG-S100-2
DATE REV: 28-SEP-10



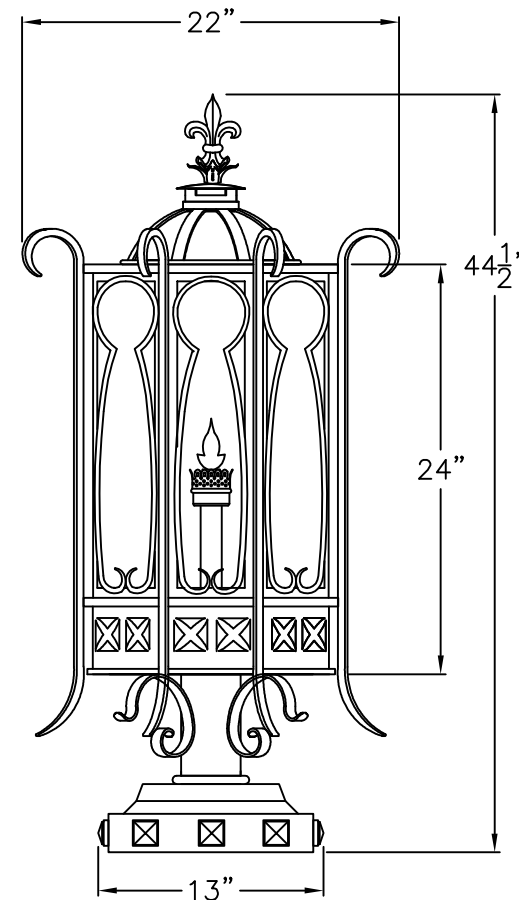
SMALL
E-006-061
14 1/2" W x 31" H



MEDIUM
E-006-062
17 1/2" W x 38 1/2" H



LARGE
E-006-063
19" W x 41" H



X-LARGE
E-006-064
22" W x 44 1/2" H

AVAILABLE IN
GAS & ELECTRIC
WITH EXCEPTION
OF SMALL SIZE

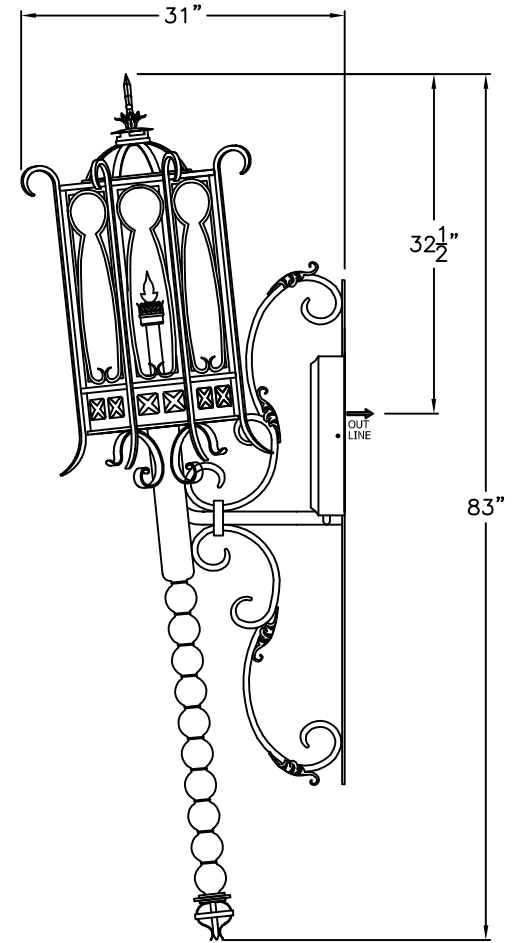
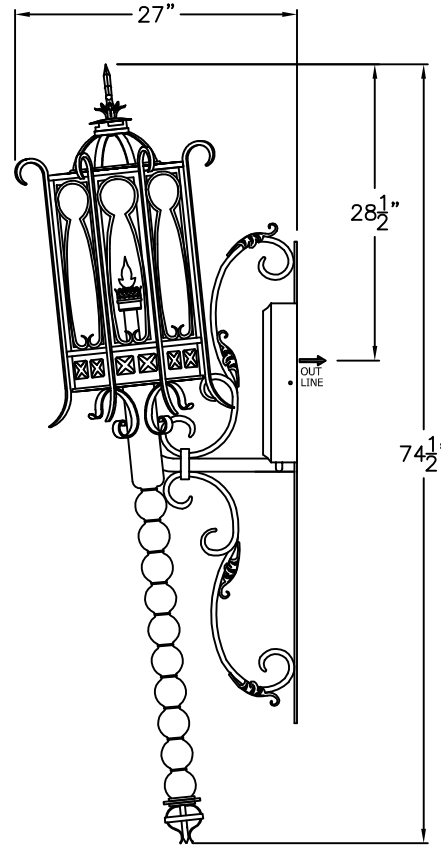
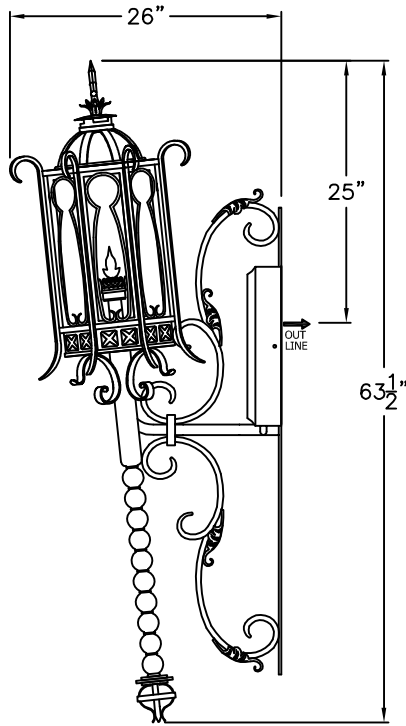
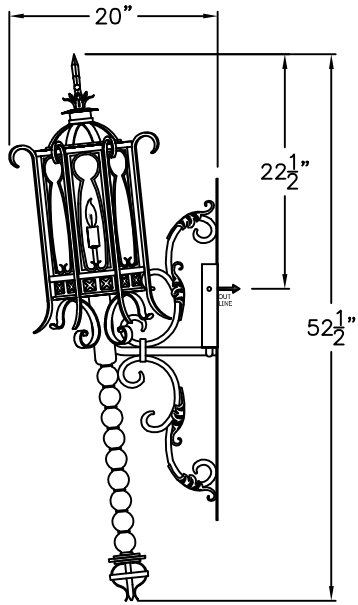
* ACTUAL DIMENSIONS MAY VARY UP TO 1/2"

CUSTOM DRAWING CHANGES:

© 2010 SOLARA ENCHAINMENT
UNAUTHORIZED USE OF THIS
PLAN IS IN VIOLATION OF THE
U.S. COPYRIGHT ACT TITLE 17
OF THE U.S. CODE



DESIGN:	AREZZO
LINE:	PIER MOUNT
FILE:	E-006-06SET-EG-S100-2
DATE REV:	28-SEP-10



SMALL
E-006-081

14 1/2" W x 52 1/2" H x 20" D

MEDIUM
E-006-082

17 1/2" W x 63 1/2" H x 26" D

LARGE
E-006-083

19" W x 74 1/2" H x 27" D

X-LARGE
E-006-084

22" W x 83" H x 31" D

AVAILABLE IN
GAS & ELECTRIC
WITH EXCEPTION
OF SMALL SIZE

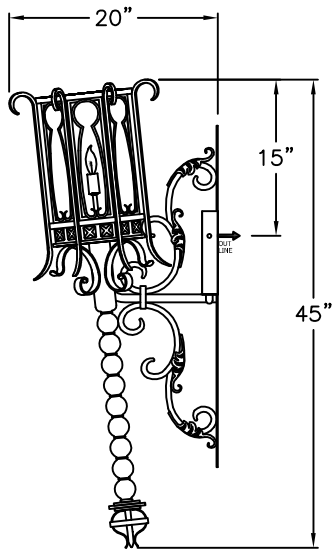
* ACTUAL DIMENSIONS MAY VARY UP TO 1/2"

CUSTOM DRAWING CHANGES:

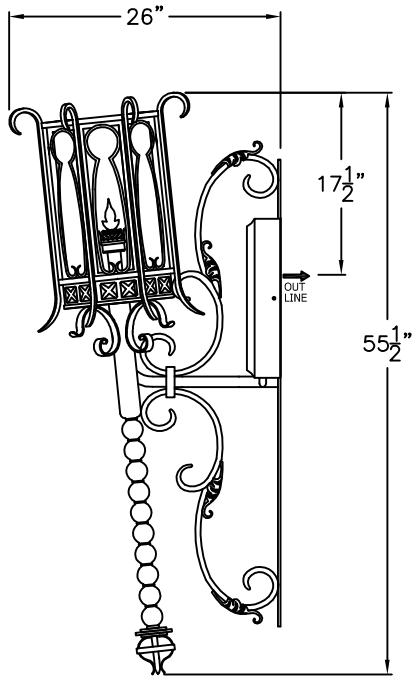
© 2010 SOLARA ENCHAINMENT
UNAUTHORIZED USE OF THIS
PLAN IS IN VIOLATION OF THE
U.S. COPYRIGHT ACT TITLE 17
OF THE U.S. CODE



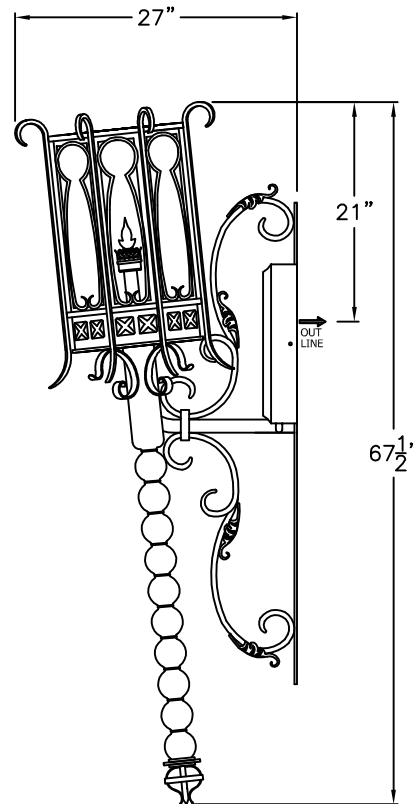
DESIGN:	AREZZO
LINE:	TORCH MOUNT
FILE:	E-006-08SET-EG-S100-2
DATE REV:	28-SEP-10



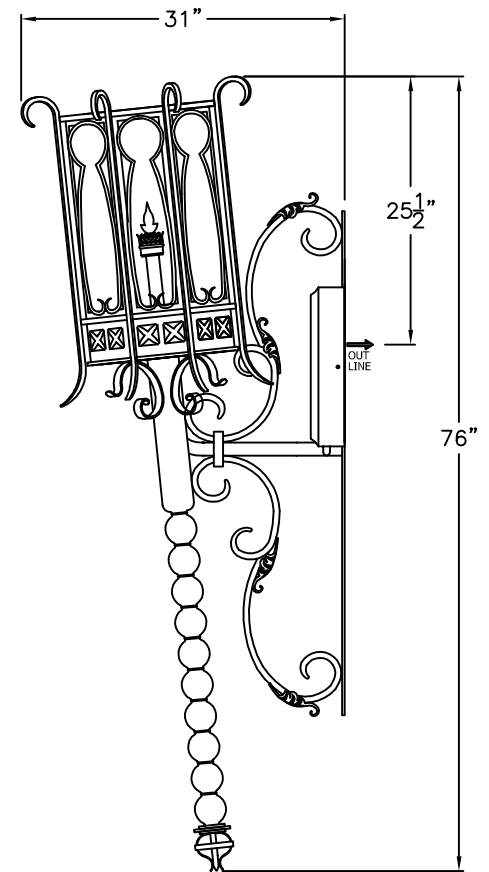
SMALL
E-006-091
14 1/2" W x 45" H x 20" D



MEDIUM
E-006-092
17 1/2" W x 55 1/2" H x 26" D



LARGE
E-006-093
19" W x 67 1/2" H x 27" D



X-LARGE
E-006-094
22" W x 76" H x 31" D

AVAILABLE IN
GAS & ELECTRIC
WITH EXCEPTION
OF SMALL SIZE

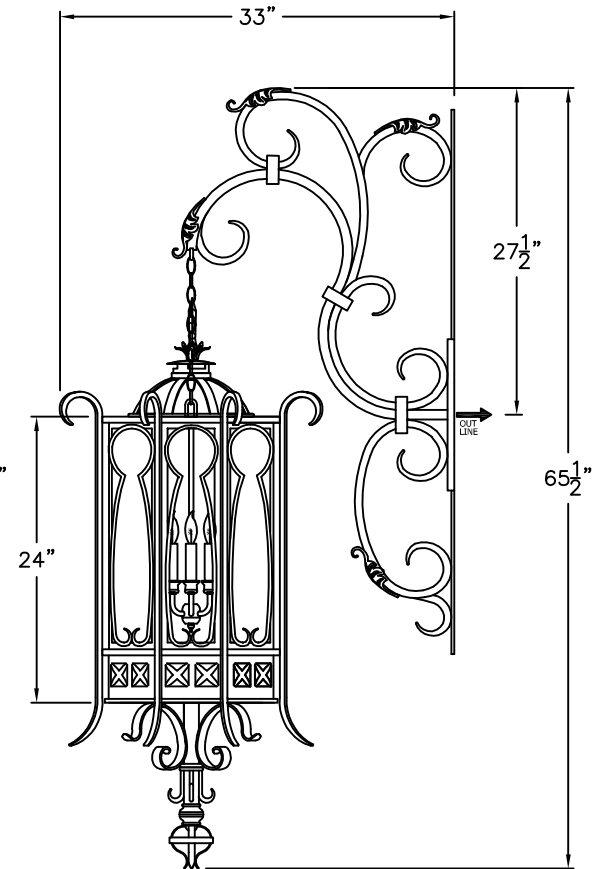
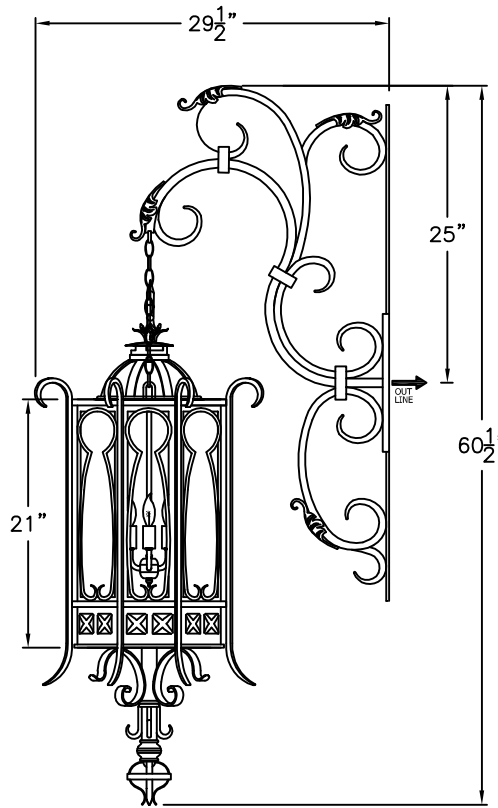
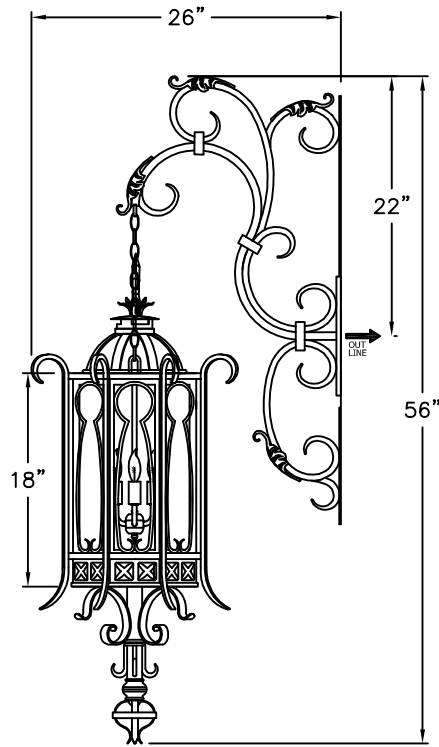
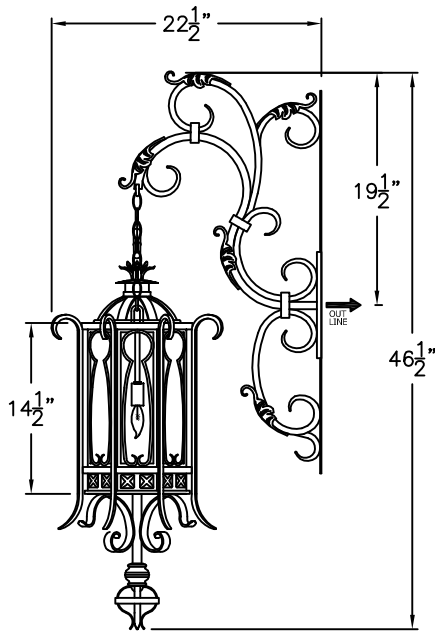
* ACTUAL DIMENSIONS MAY VARY UP TO 1/2"

CUSTOM DRAWING CHANGES:

© 2010 SOLARA ENCHAINMENT
UNAUTHORIZED USE OF THIS
PLAN IS IN VIOLATION OF THE
U.S. COPYRIGHT ACT TITLE 17
OF THE U.S. CODE



DESIGN:	AREZZO
LINE:	TORCH MOUNT
FILE:	E-006-09SET-EG-S100-2
DATE REV:	28-SEP-10



SMALL
E-006-101

14 1/2" W x 46 1/2" H x 22 1/2" D

MEDIUM
E-006-102

17 1/2" W x 56" H x 26"

LARGE
E-006-103

19" W x 60 1/2" H x 29 1/2" D

X-LARGE
E-006-104

22" W x 65 1/2" H x 33" D

ONLY AVAILABLE
IN ELECTRIC

* ACTUAL DIMENSIONS MAY VARY UP TO 1/2"

CUSTOM DRAWING CHANGES:

© 2010 SOLARA ENCHAINMENT
UNAUTHORIZED USE OF THIS
PLAN IS IN VIOLATION OF THE
U.S. COPYRIGHT ACT TITLE 17
OF THE U.S. CODE



DESIGN:	AREZZO
LINE:	HANGING MOUNT
FILE:	E-006-10SET-EL-S100-2
DATE REV:	28-SEP-10