



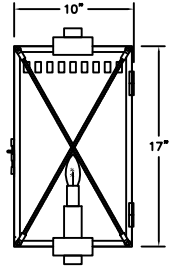
# SOLARA

Iron Doors & Lighting

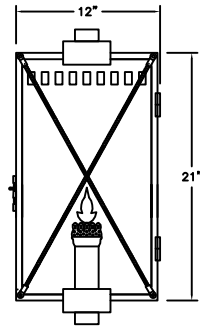


## Avanti - B003

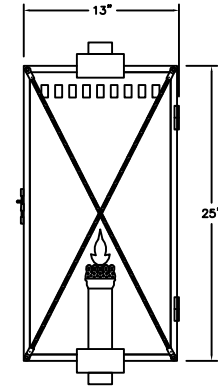




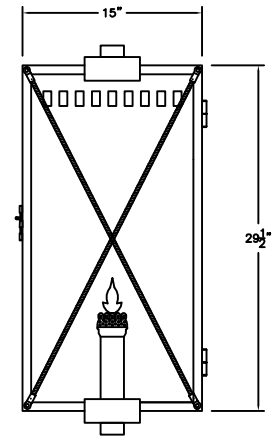
FRONT VIEW



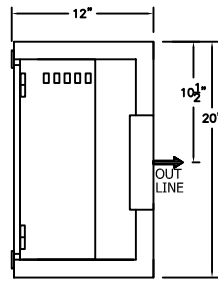
FRONT VIEW



FRONT VIEW

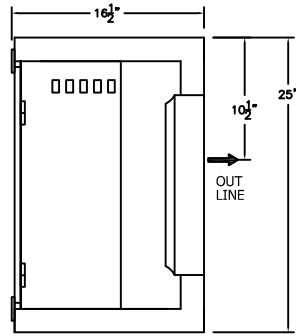


FRONT VIEW



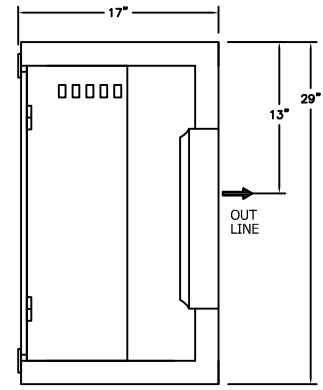
SIDE VIEW

**SMALL**  
B-003-011  
10" W x 20" H x 12" D



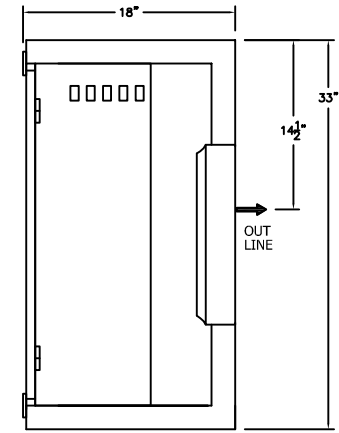
SIDE VIEW

**MEDIUM**  
B-003-012  
12" W x 25" H x 16-1/2" D



SIDE VIEW

**LARGE**  
B-003-013  
13 " W x 29" H x 17" D



SIDE VIEW

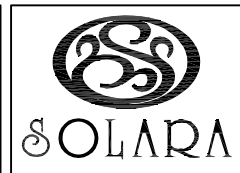
**X-LARGE**  
B-003-014  
15" W x 33" H x 18" D

AVAILABLE IN  
GAS & ELECTRIC  
WITH EXCEPTION  
OF SMALL SIZE

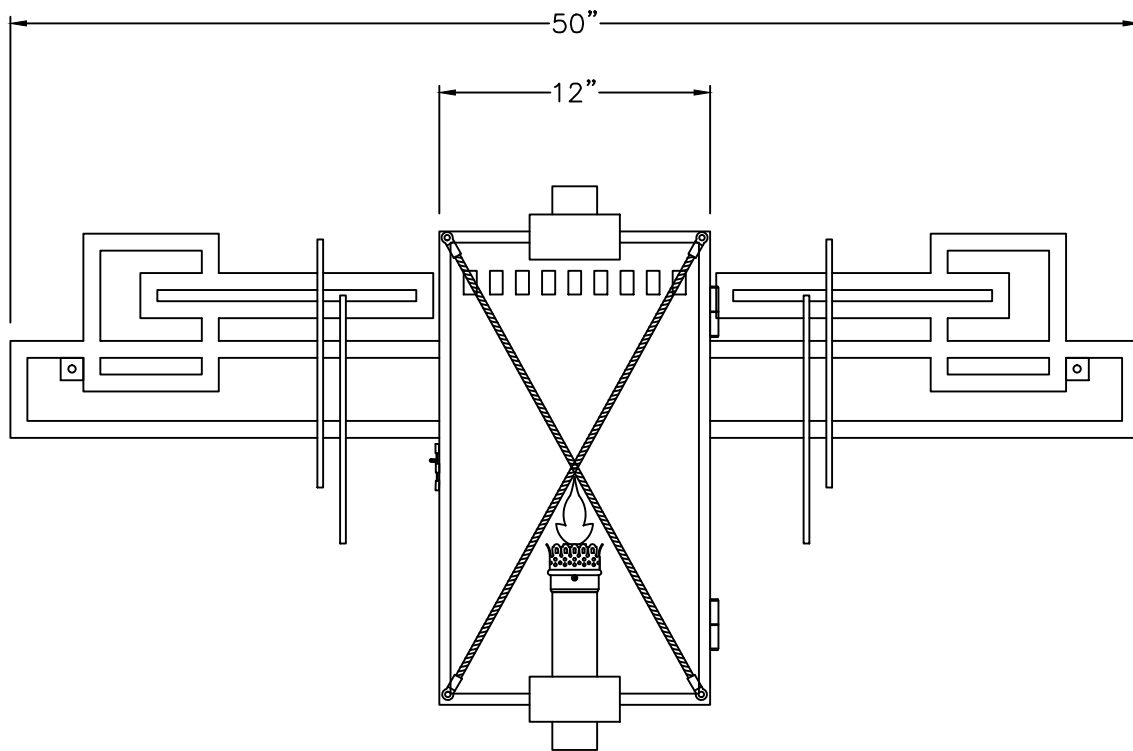
\* ACTUAL DIMENSIONS MAY VARY UP TO 1/2"

CUSTOM DRAWING CHANGES:

© 2010 SOLARA ENCHAINMENT  
UNAUTHORIZED USE OF THIS  
PLAN IS IN VIOLATION OF THE  
U.S. COPYRIGHT ACT TITLE 17  
OF THE U.S. CODE.

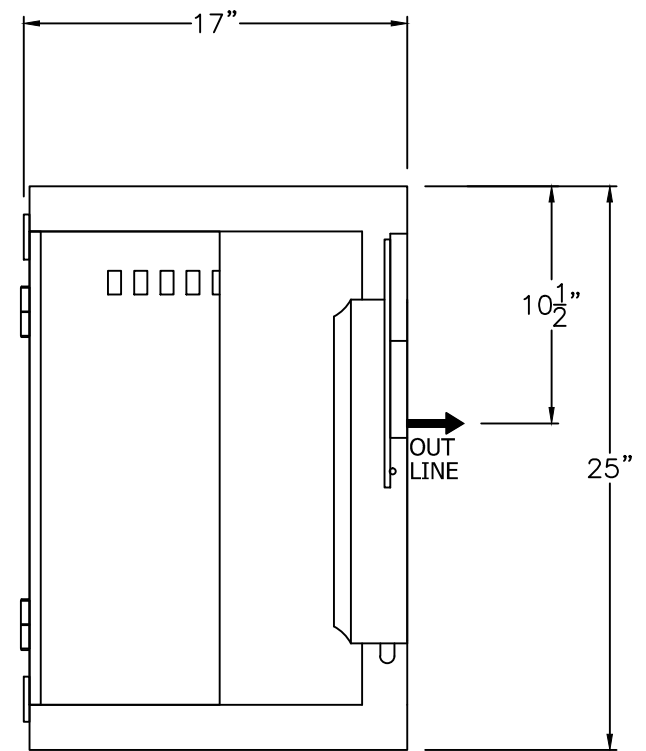


DESIGN:	AVANTI
LINE:	WALL MOUNT
FILE:	B-003-01SET-EG-S100-3
DATE REV :	05-AUGUST-10



FRONT VIEW

MEDIUM  
B-003-022  
50" W X 25" H X 17" D



SIDE VIEW

AVAILABLE IN  
GAS & ELECTRIC  
WITH EXCEPTION  
OF SMALL SIZE

\* ACTUAL DIMENSIONS MAY VARY UP TO 1/2"

CUSTOM DRAWING CHANGES:

© 2012 SOLARA ENCHAINMENT  
UNAUTHORIZED USE OF THIS  
PLAN IS IN VIOLATION OF THE  
U.S. COPYRIGHT ACT TITLE 17  
OF THE U.S. CODE.



DESIGN:	AVANTI
LINE:	CENTRAL MOUNT
FILE:	B-003-022-EG-S100-1
DATE REV :	25-OCT-12