



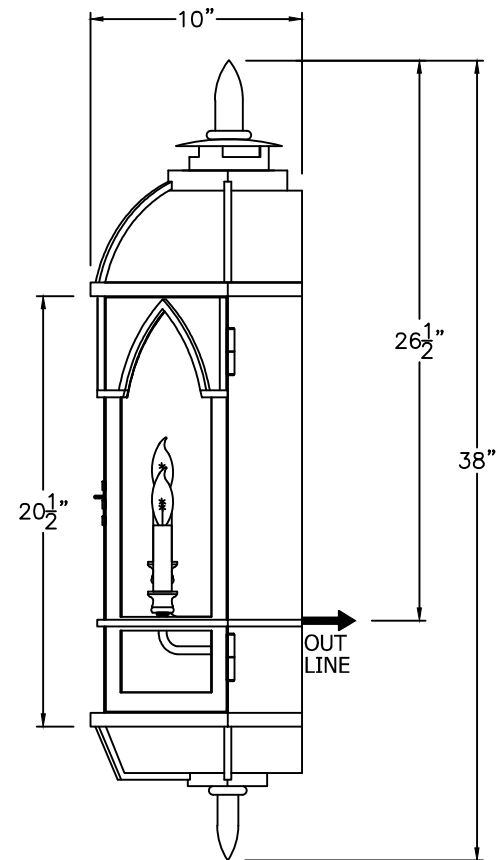
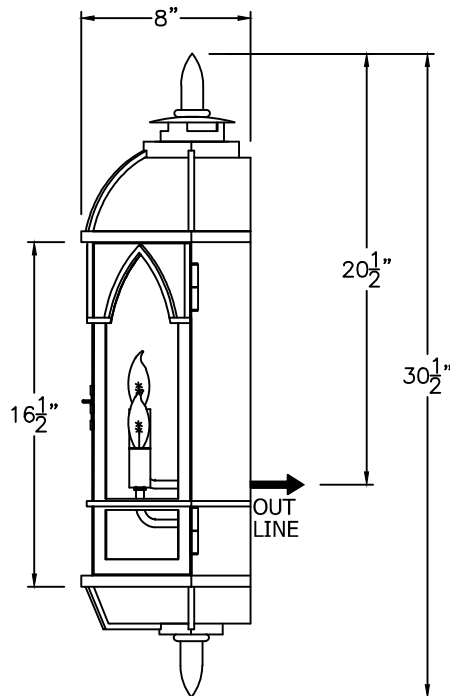
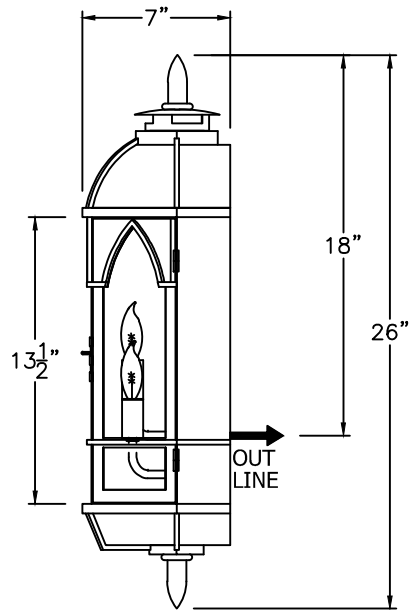
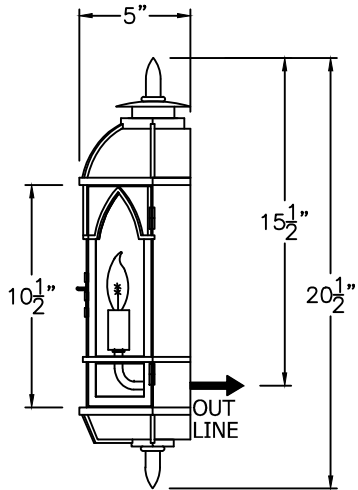
SOLARA

Iron Doors & Lighting



Girona - C012





SMALL
C-012-001

8" W X 20 $\frac{1}{2}$ " H X 5" D

MEDIUM
C-012-002

10" W X 26" H X 7" D

LARGE
C-012-003

12" W X 30 $\frac{1}{2}$ " H X 8" D

X-LARGE
C-012-004

15" W X 38" H X 10" D

ONLY AVAILABLE
IN ELECTRIC

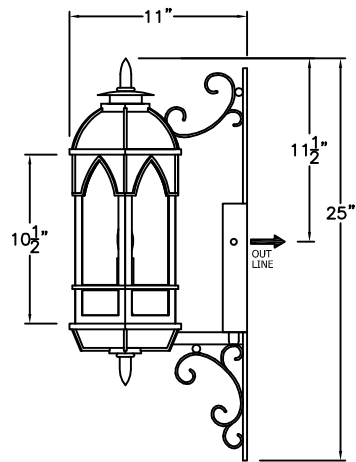
* ACTUAL DIMENSIONS MAY VARY UP TO 1/2"

CUSTOM DRAWING CHANGES:

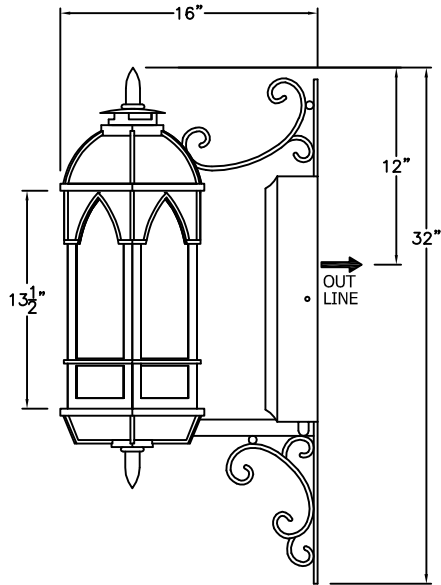
© 2012 SOLARA ENCHAINMENT
UNAUTHORIZED USE OF THIS
PLAN IS IN VIOLATION OF THE
U.S. COPYRIGHT ACT TITLE 17
OF THE U.S. CODE.



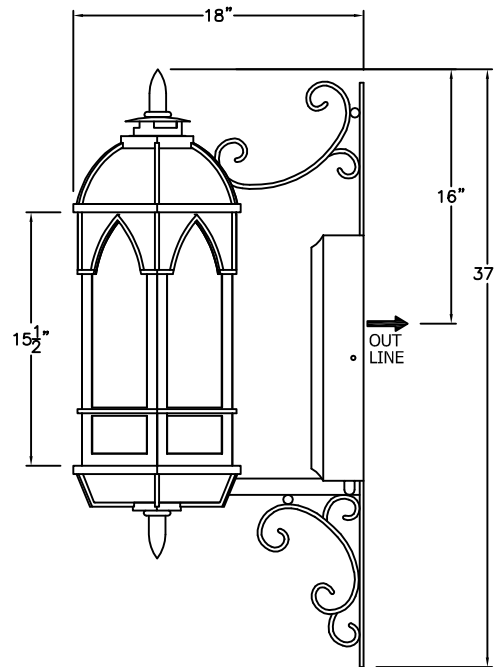
DESIGN:	GIRONA
LINE:	WALL MOUNT
FILE:	C-012-00SET-EL-S100-1
DATE REV:	12-DEC-12



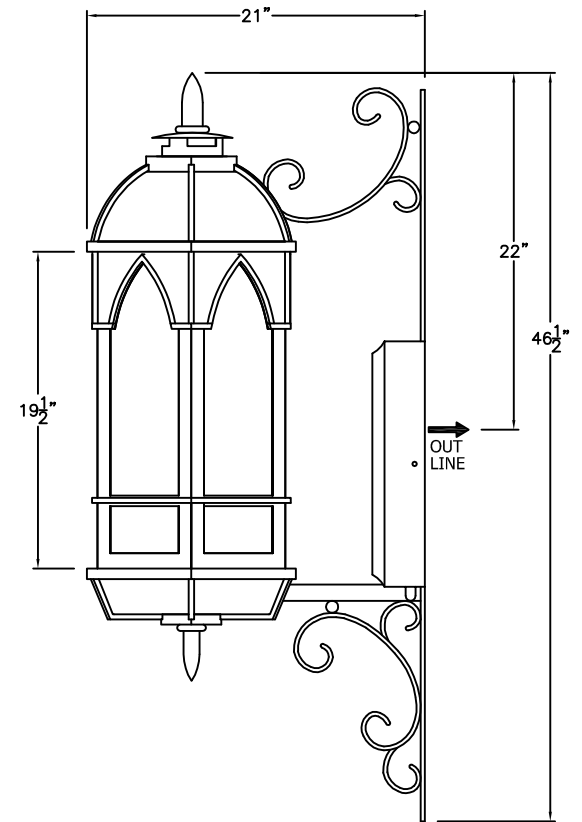
SMALL
C-012-011
8" W X 25" H X 11" D



MEDIUM
C-012-012
10" W X 32" H X 16" D



LARGE
C-012-013
12" W X 37" H X 18" D



X-LARGE
C-012-014
15" W X 46 1/2" H X 21" D

AVAILABLE IN
GAS & ELECTRIC
WITH EXCEPTION
OF SMALL SIZE

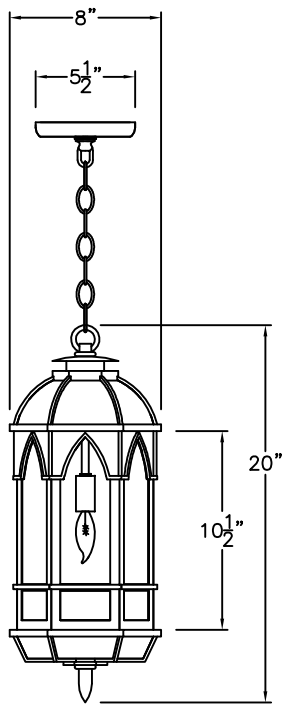
* ACTUAL DIMENSIONS MAY VARY UP TO 1/2"

CUSTOM DRAWING CHANGES:

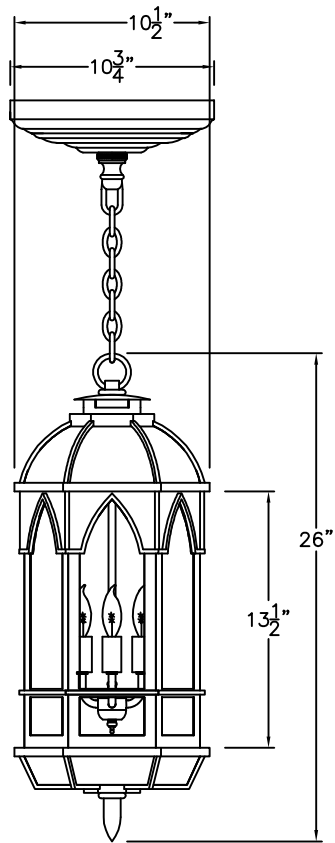
© 2012 SOLARA ENCHAINMENT
UNAUTHORIZED USE OF THIS
PLAN IS IN VIOLATION OF THE
U.S. COPYRIGHT ACT TITLE 17
OF THE U.S. CODE.



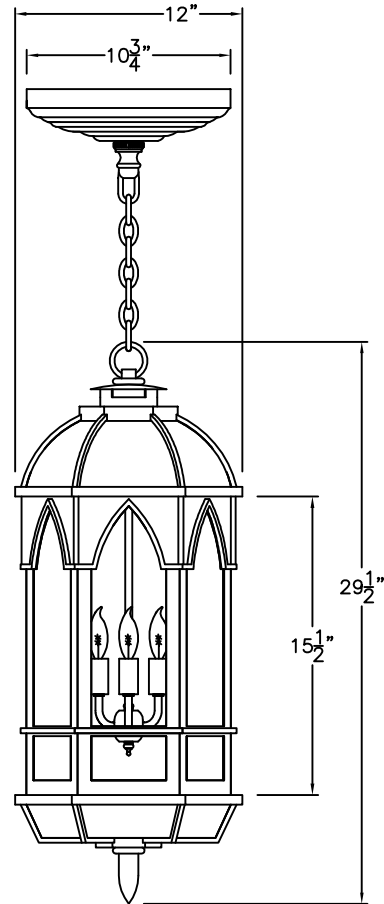
DESIGN:	GIRONA
LINE:	WALL MOUNT
FILE:	C-012-01SET-EG-S100-2
DATE REV:	26-JAN-12



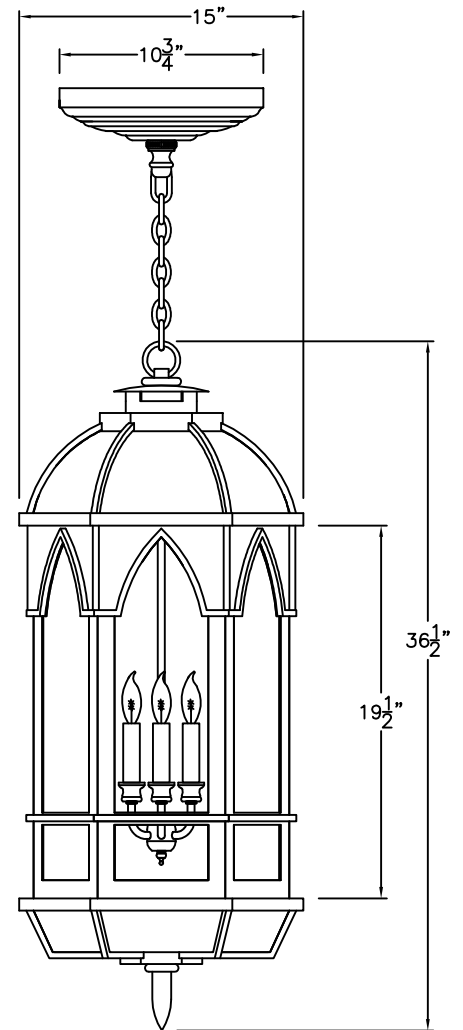
SMALL
C-012-041
8" W X 20" H x 7" D



MEDIUM
C-012-042
10 1/2" W X 26" H x 9" D



LARGE
C-012-043
12" W X 29 1/2" H x 10 1/2" D



X-LARGE
C-012-044
15" W X 36 1/2" H x 10 1/2" D

ONLY AVAILABLE
IN ELECTRIC

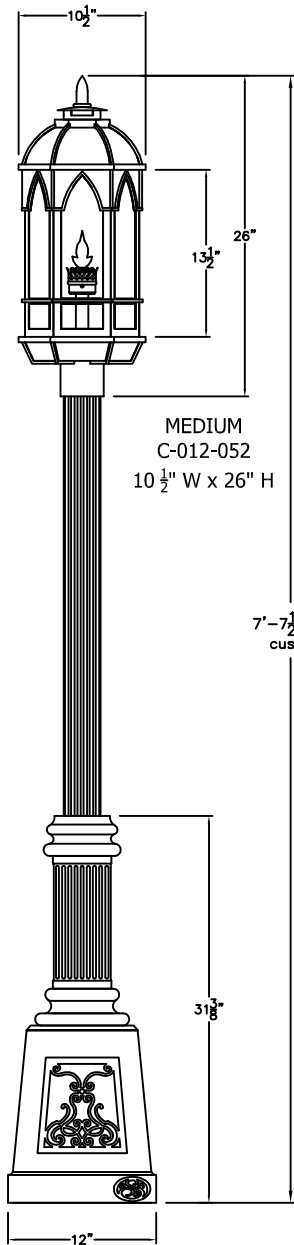
* ACTUAL DIMENSIONS MAY VARY UP TO 1/2"

CUSTOM DRAWING CHANGES:

© 2012 SOLARA ENCHAINMENT
UNAUTHORIZED USE OF THIS
PLAN IS IN VIOLATION OF THE
U.S. COPYRIGHT ACT TITLE 17
OF THE U.S. CODE.

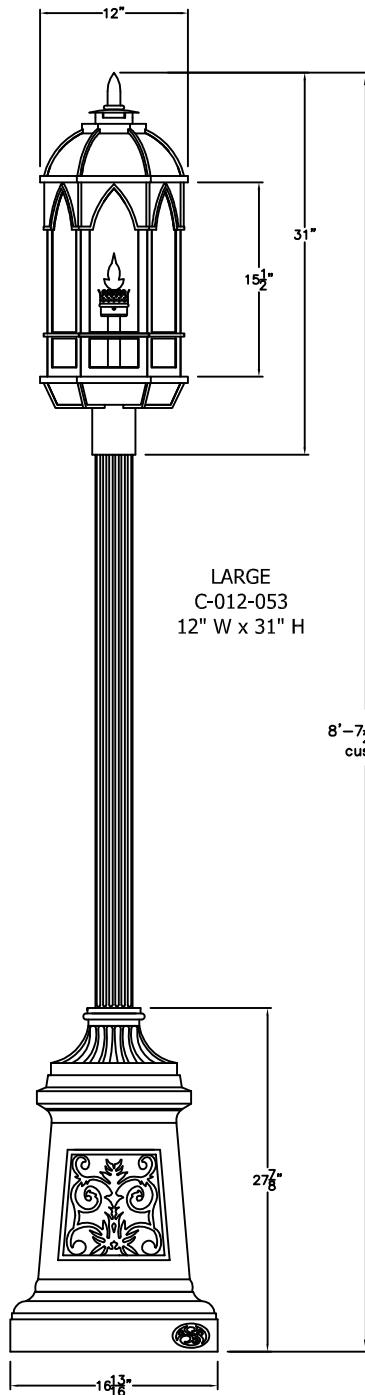


DESIGN:	GIRONA
LINE:	PENDANT CHAIN
FILE:	C-012-04SET-EL-S100-1
DATE REV:	26-JAN-12



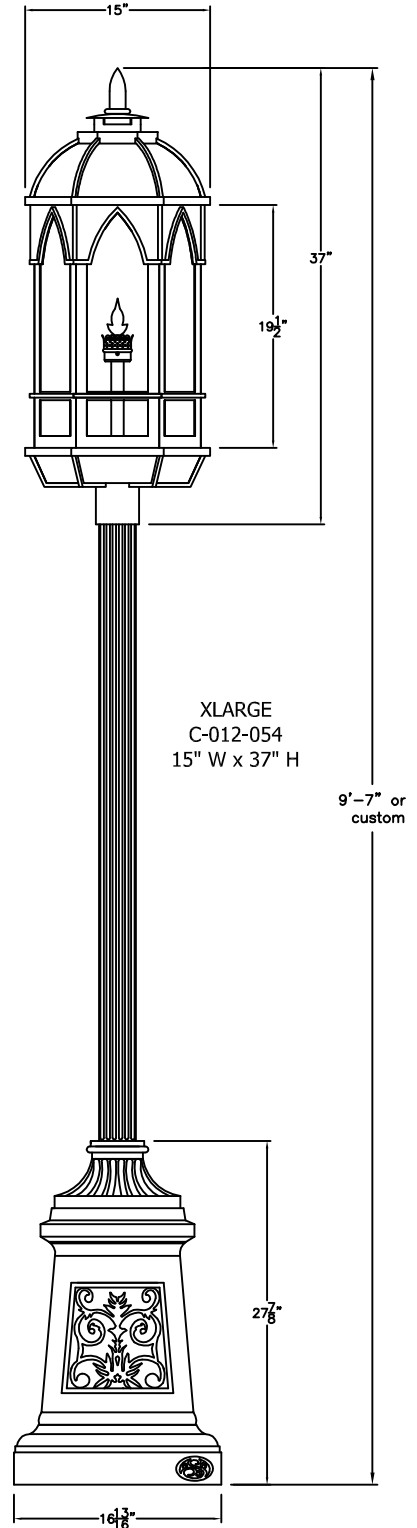
MEDIUM
C-012-052
10 1/2" W x 26" H

SOLARA BASE



LARGE
C-012-053
12" W x 31" H

MUNICH BASE



XLARGE
C-012-054
15" W x 37" H

9'-7" or
custom

AVAILABLE IN
GAS & ELECTRIC
WITH EXCEPTION
OF SMALL SIZE

* POST ARE SOLD SEPARATELY
* ACTUAL DIMENSIONS MAY VARY UP TO 1/2"

CUSTOM DRAWING CHANGES:

© 2012 SOLARA ENCHAINMENT
UNAUTHORIZED USE OF THIS
PLAN IS IN VIOLATION OF THE
U.S. COPYRIGHT ACT TITLE 17
OF THE U.S. CODE

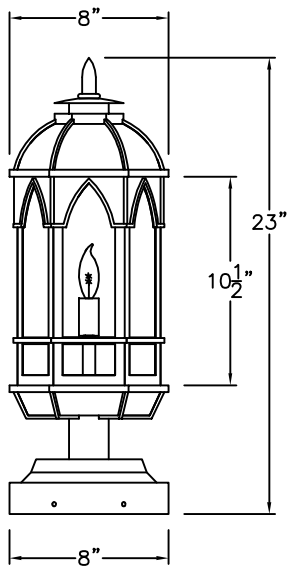


DESIGN: GIRONA

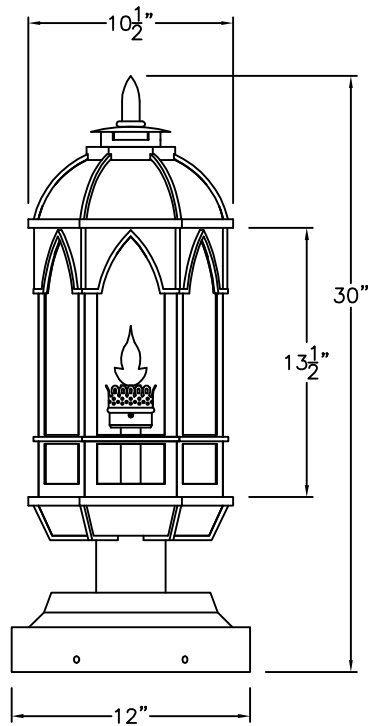
LINE: POST MOUNT

FILE: C-012-05SET-EG-S100-1

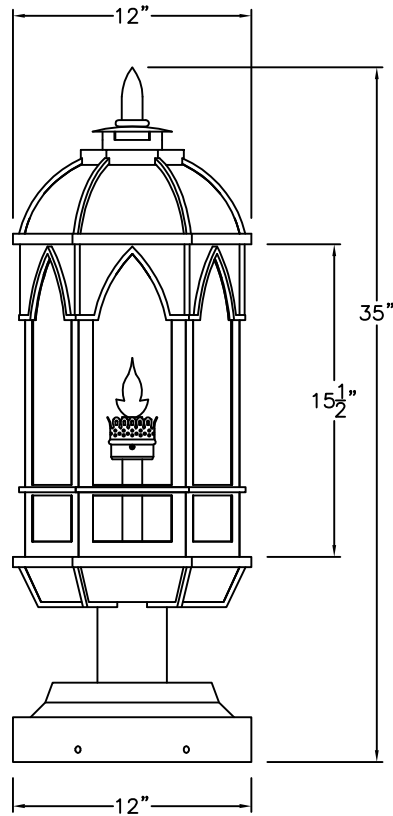
DATE REV: 01-FEB-12



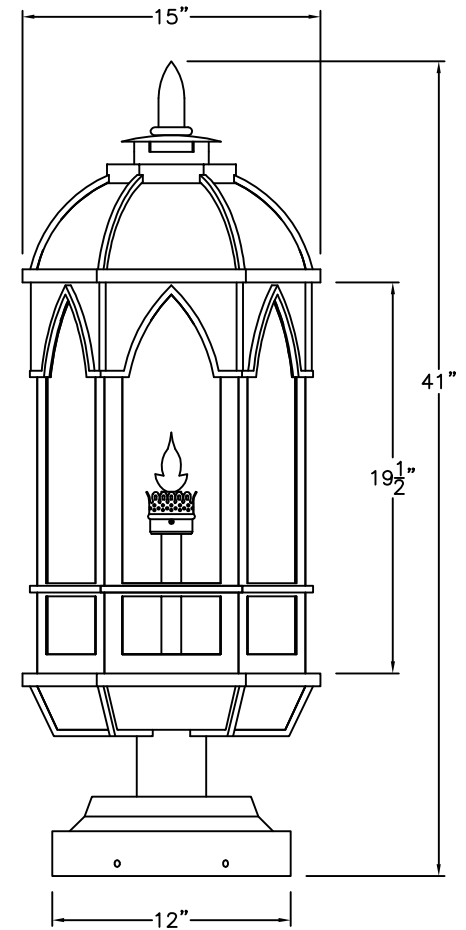
SMALL
C-012-061
8" W X 23" H X 7" D



MEDIUM
C-012-062
10 1/2" W X 30" H X 9" D



LARGE
C-012-063
12" W X 35" H X 10 1/2" D



X-LARGE
C-012-064
15" W X 41" H X 9" D

AVAILABLE IN
GAS & ELECTRIC
WITH EXCEPTION
OF SMALL SIZE

* ACTUAL DIMENSIONS MAY VARY UP TO 1/2"

CUSTOM DRAWING CHANGES:

© 2012 SOLARA ENCHAINMENT
UNAUTHORIZED USE OF THIS
PLAN IS IN VIOLATION OF THE
U.S. COPYRIGHT ACT TITLE 17
OF THE U.S. CODE.



DESIGN:	GIRONA
LINE:	PIER MOUNT
FILE:	C-012-06SET-EG-S100-1
DATE REV:	26-JAN-12