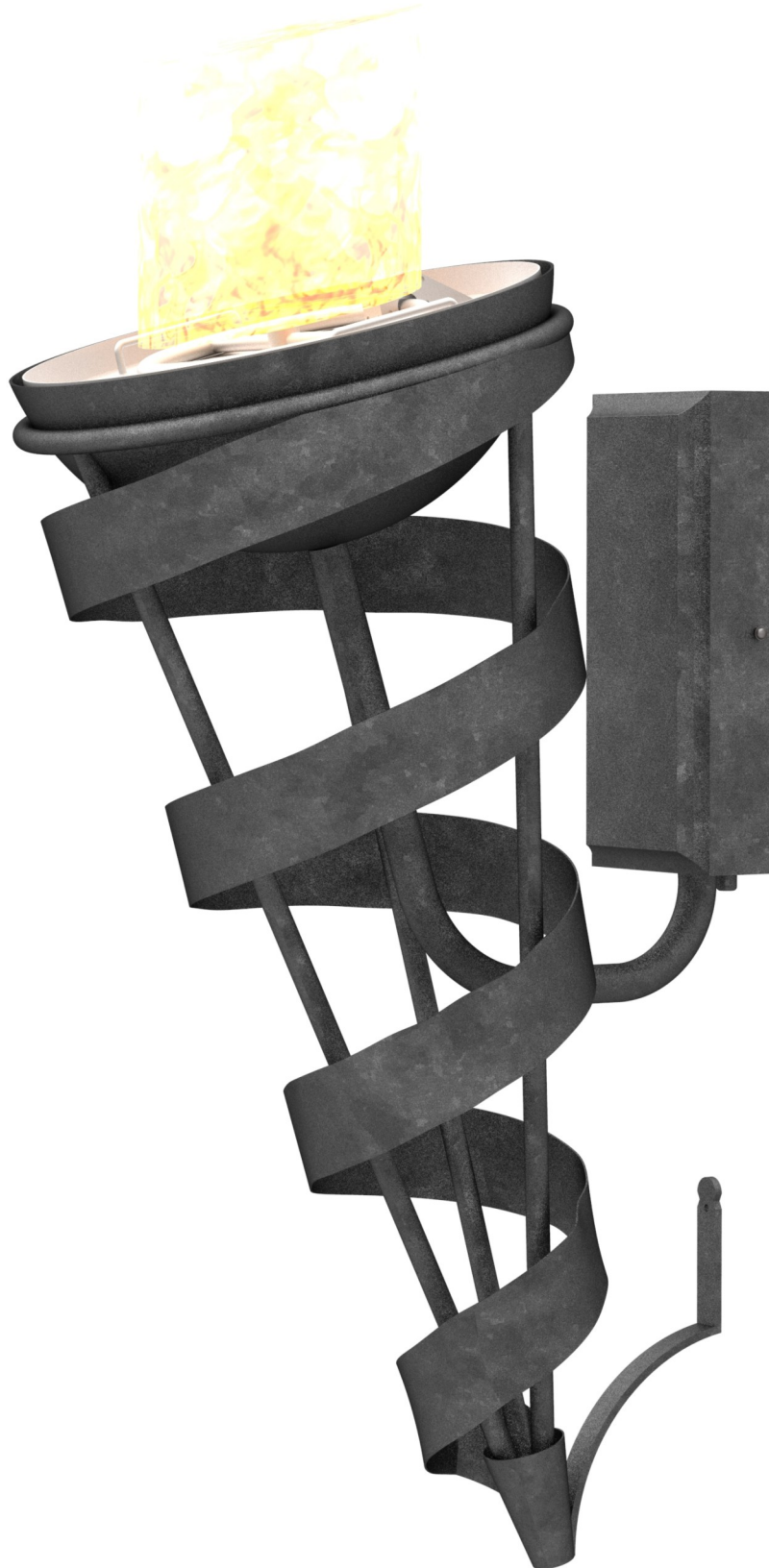




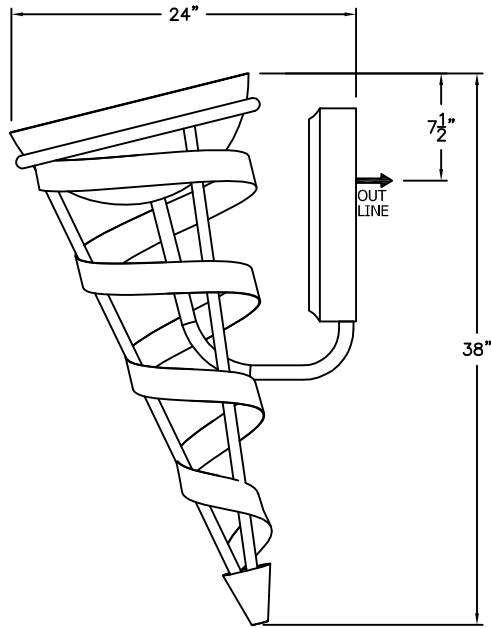
SOLARA

Iron Doors & Lighting

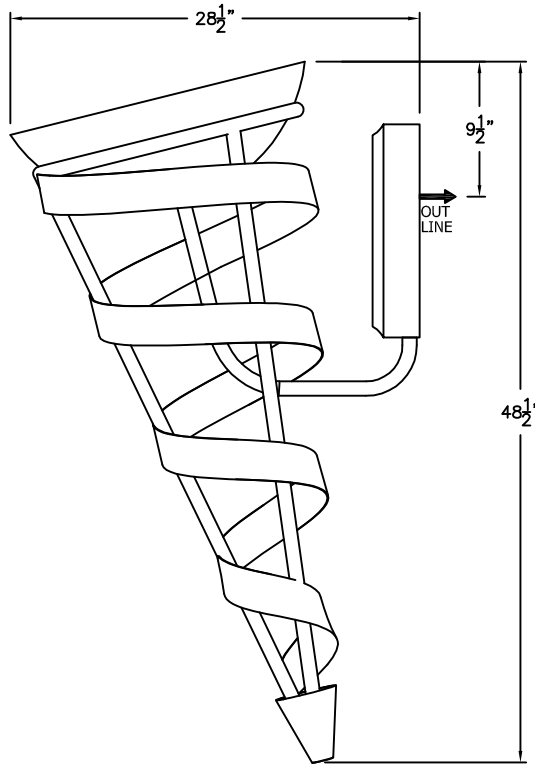


Griffin - G001

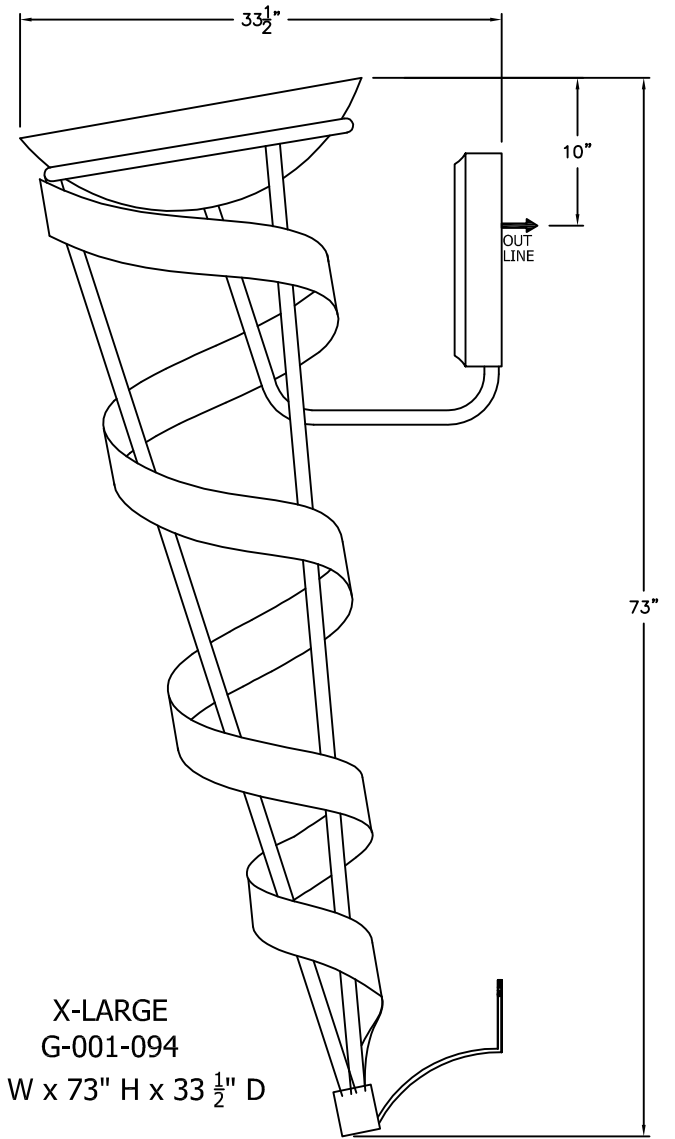




MEDIUM
G-001-092
17" W x 38" H x 24" D



LARGE
G-001-093
21" W x 48 1/2" H x 28 1/2" D



X-LARGE
G-001-094
24" W x 73" H x 33 1/2" D

AVAILABLE IN
GAS & ELECTRIC
WITH EXCEPTION
OF SMALL SIZE

* ACTUAL DIMENSIONS MAY VARY UP TO 1/2"

CUSTOM DRAWING CHANGES:

© 2011 SOLARA ENCHAINMENT
UNAUTHORIZED USE OF THIS
PLAN IS IN VIOLATION OF THE
U.S. COPYRIGHT ACT TITLE 17
OF THE U.S. CODE.



DESIGN:	GRIFFIN
LINE:	TORCH MOUNT
FILE:	G-001-09SET-EG-S100-2
DATE REV :	17-FEB-11