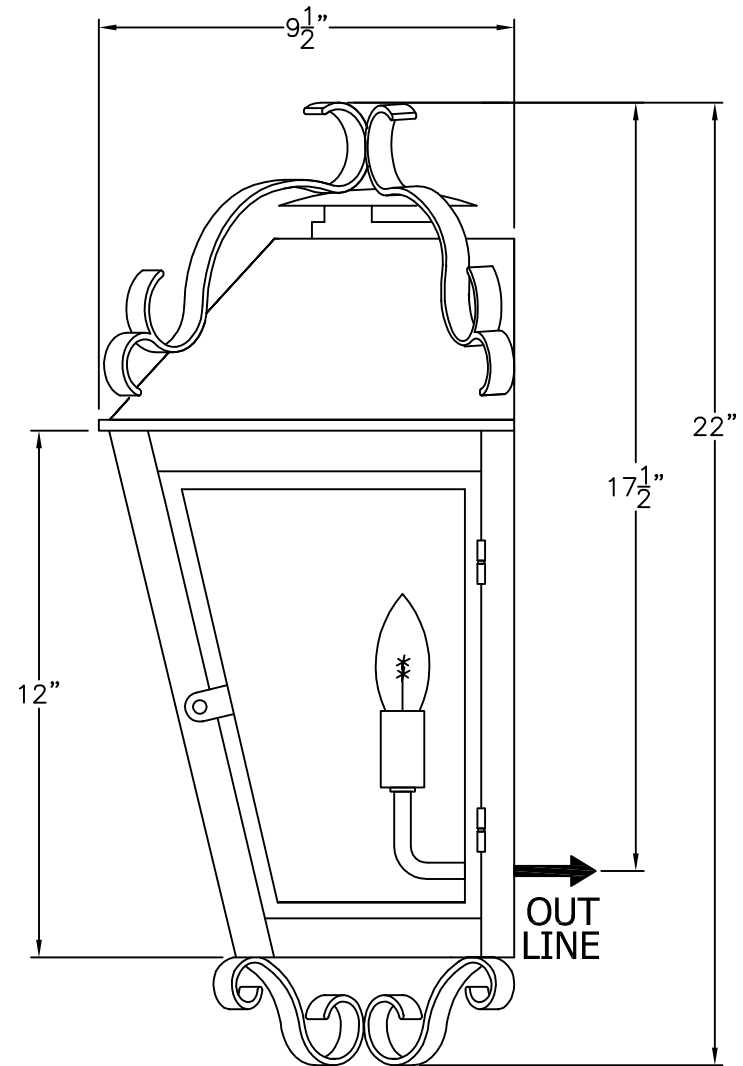


MEDIUM
A-004-002
11" W x 19" H x 8" D



LARGE
A-004-003
13" W x 22" H x 9-1/2" D

ONLY AVAILABLE
IN ELECTRIC

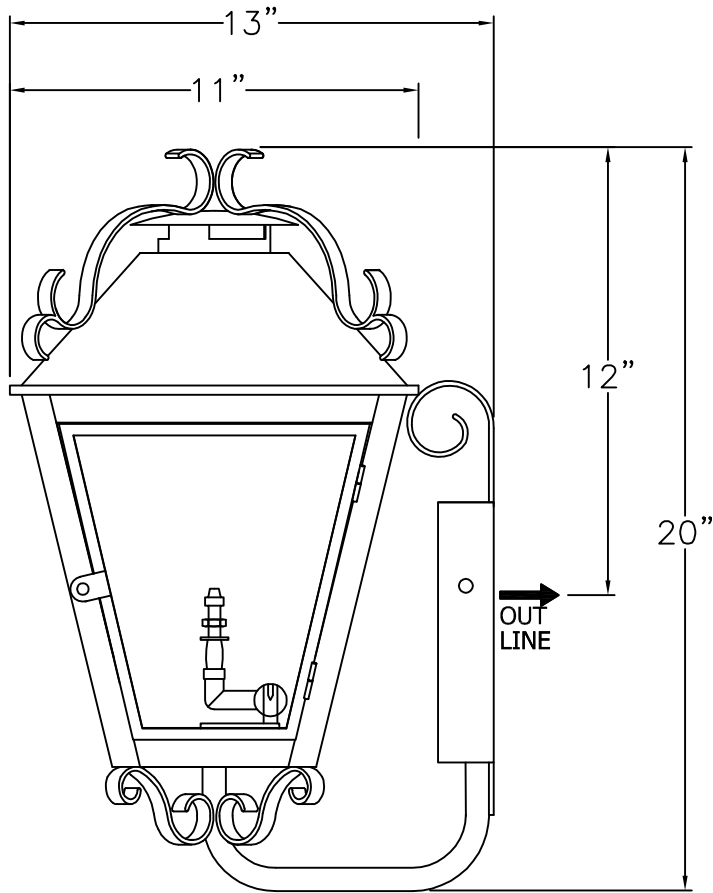
* ACTUAL DIMENSIONS MAY VARY UP TO 1/2"

CUSTOM DRAWING CHANGES:

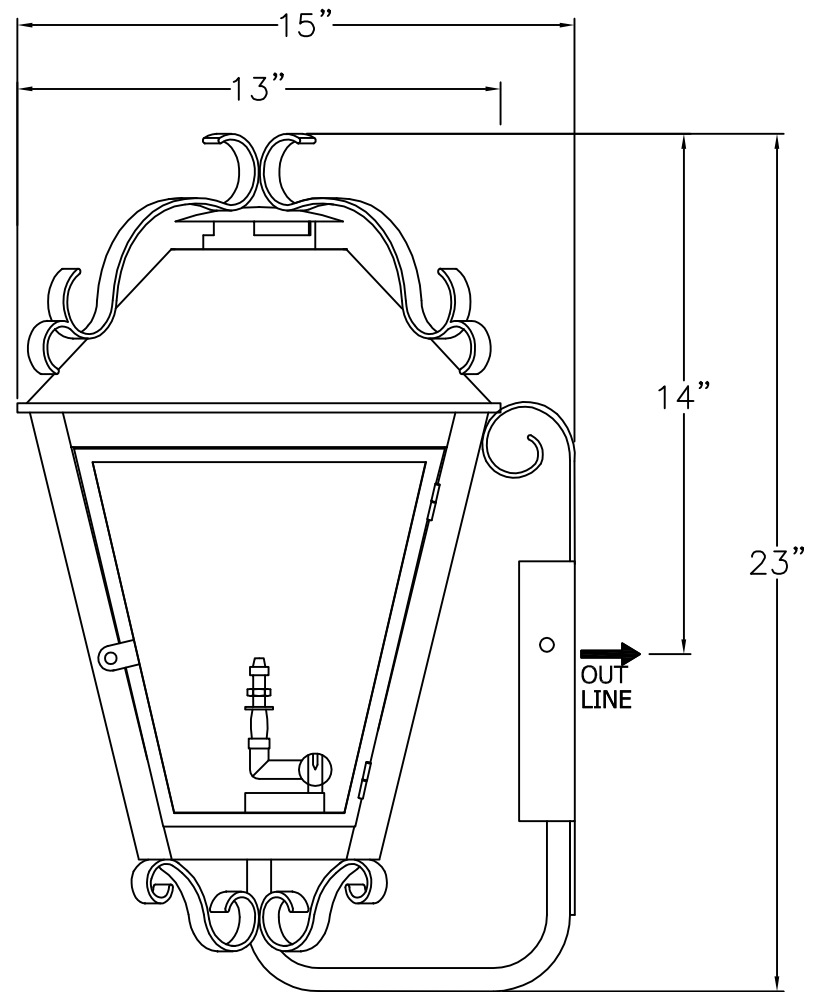
© 2010 SOLARA ENCHAINMENT
UNAUTHORIZED USE OF THIS
PLAN IS IN VIOLATION OF THE
U.S. COPYRIGHT ACT TITLE 17
OF THE U.S. CODE



DESIGN:	JARDIN ECO SERIES
LINE:	SCONCE MOUNT
FILE:	A-004-00SET-EL-S100-1
DATE REV:	20-AUGUST-10



MEDIUM
 A-004-012
 11" W x 20" H x 13" D



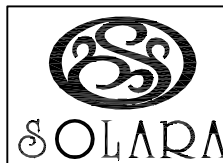
LARGE
 A-004-013
 13" W x 23 " H x 15" D

AVAILABLE IN:
 MG (MANUAL GAS VALVE) & ELECTRIC

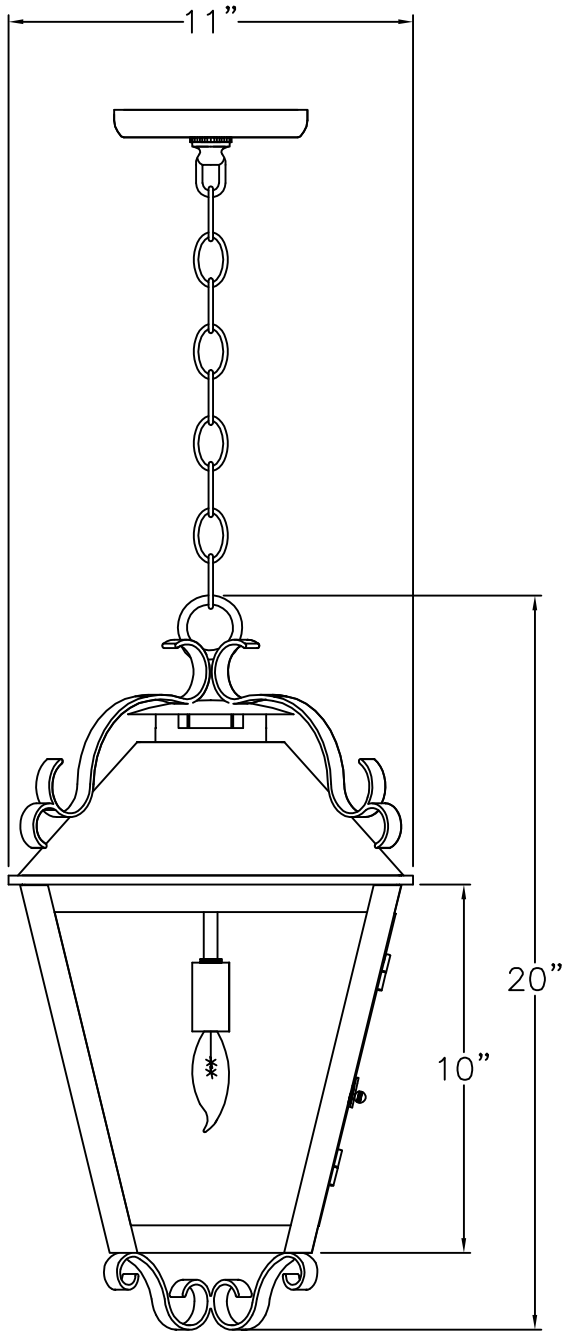
* ACTUAL DIMENSIONS MAY VARY UP TO 1/2"

CUSTOM DRAWING CHANGES:

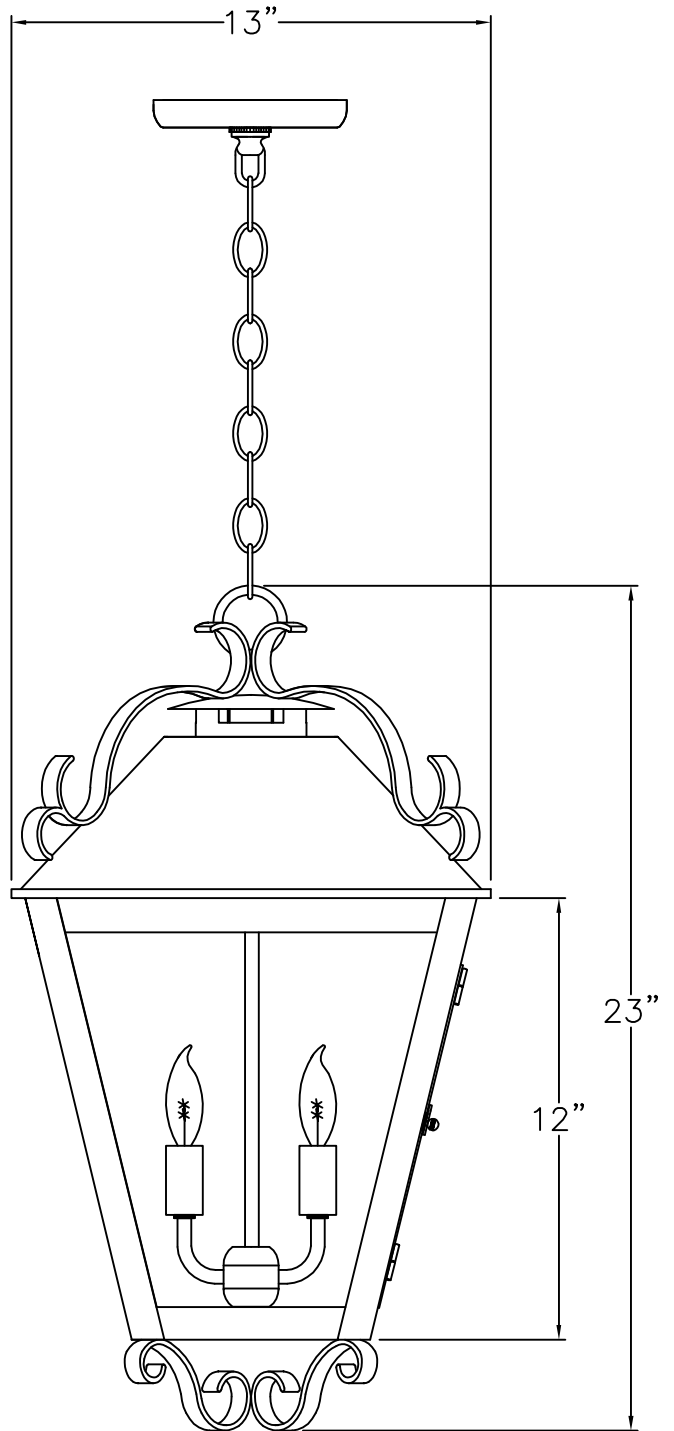
© 2010 SOLARA ENCHAINMENT
 UNAUTHORIZED USE OF THIS
 PLAN IS IN VIOLATION OF THE
 U.S. COPYRIGHT ACT TITLE 17
 OF THE U.S. CODE



DESIGN:	JARDIN ECO SERIES
LINE:	WALL MOUNT
FILE:	A-004-01SET-MG-S100-1
DATE REV:	20-AUGUST-10



MEDIUM
A-004-042
11" W x 20" H



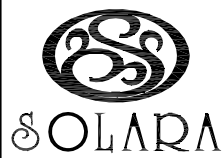
LARGE
A-004-043
13" W x 23" H

**AVAILABLE ONLY
 IN ELECTRIC**

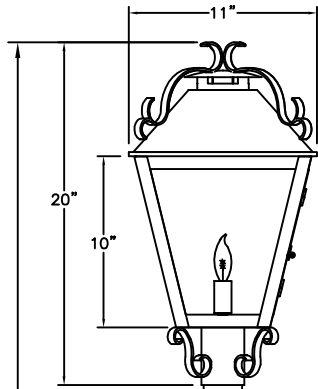
*** ACTUAL DIMENSIONS MAY VARY UP TO 1/2"**

CUSTOM DRAWING CHANGES:

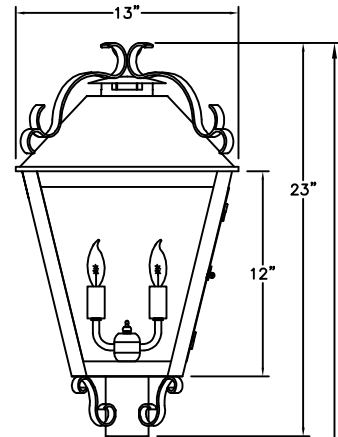
© 2010 SOLARA ENCHAINMENT
 UNAUTHORIZED USE OF THIS
 PLAN IS IN VIOLATION OF THE
 U.S. COPYRIGHT ACT TITLE 17
 OF THE U.S. CODE



DESIGN:	JARDIN ECO SERIES
LINE:	PENDANT CHAIN
FILE:	A-004-04SET-EL-S100-1
DATE REV :	20-AUGUST-10



MEDIUM
A-004-052
11" W x 20" H



LARGE
A-004-053
13" W x 23" H

8' OR
CUSTOM

8' OR
CUSTOM

Ø2 1/2"

Ø2 1/2"

6 1/2"

6 1/2"

9"

9"

12 1/2"

ECO POST BASE

AVAILABLE IN ELECTRIC
& MG (MANUAL GAS VALVE) ONLY

POST ARE SOLD SEPARATELY
* ACTUAL DIMENSIONS MAY VARY UP TO 1/2"

CUSTOM DRAWING CHANGES:

© 2010 SOLARA ENCHAINMENT
UNAUTHORIZED USE OF THIS
PLAN IS IN VIOLATION OF THE
U.S. COPYRIGHT ACT TITLE 17
OF THE U.S. CODE

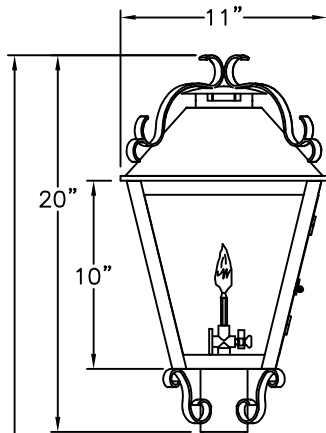


DESIGN: JARDIN ECO SERIES

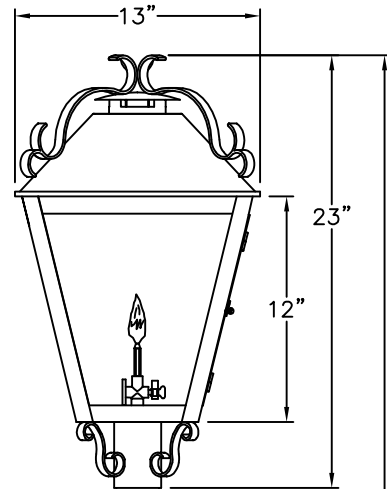
LINE: POST MOUNT

FILE: A-004-05SET-EL-S100-1

DATE REV: 20-AUGUST-10



MEDIUM
A-004-052
11" W x 20" H



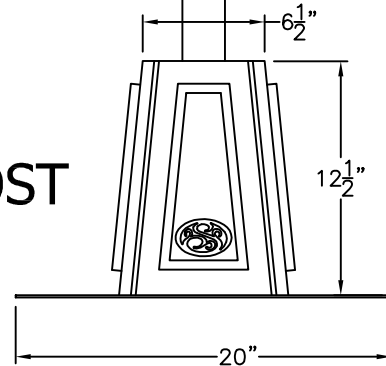
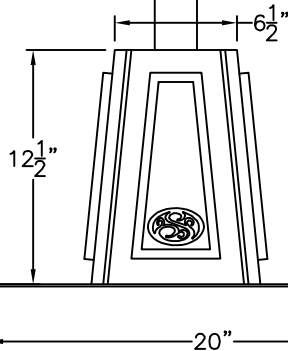
LARGE
A-004-053
13" W x 23" H

Maximum
overall height
of 7' 0"

Maximum
overall height
of 7' 0"

Ø2 1/4"

Ø2 1/4"



ECO PATIO PORTABLE POST

AVAILABLE IN MG
(MANUAL GAS VALVE) ONLY

POST ARE SOLD SEPARATELY
* ACTUAL DIMENSIONS MAY VARY UP TO 1/2"

CUSTOM DRAWING CHANGES:

© 2010 SOLARA ENCHAINMENT
UNAUTHORIZED USE OF THIS
PLAN IS IN VIOLATION OF THE
U.S. COPYRIGHT ACT TITLE 17
OF THE U.S. CODE

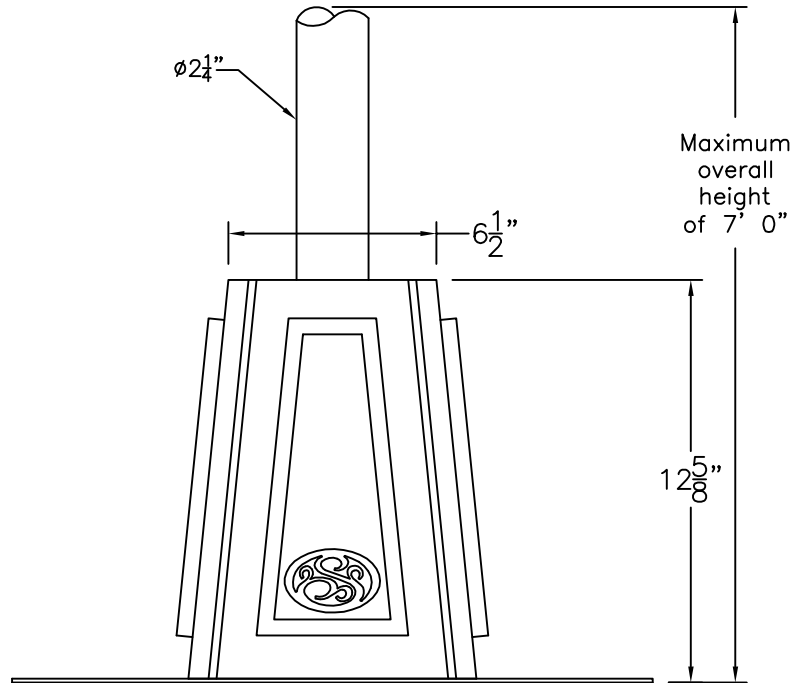
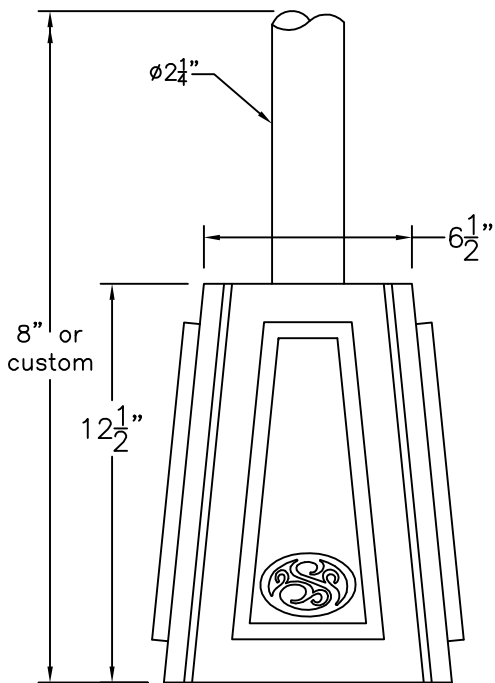
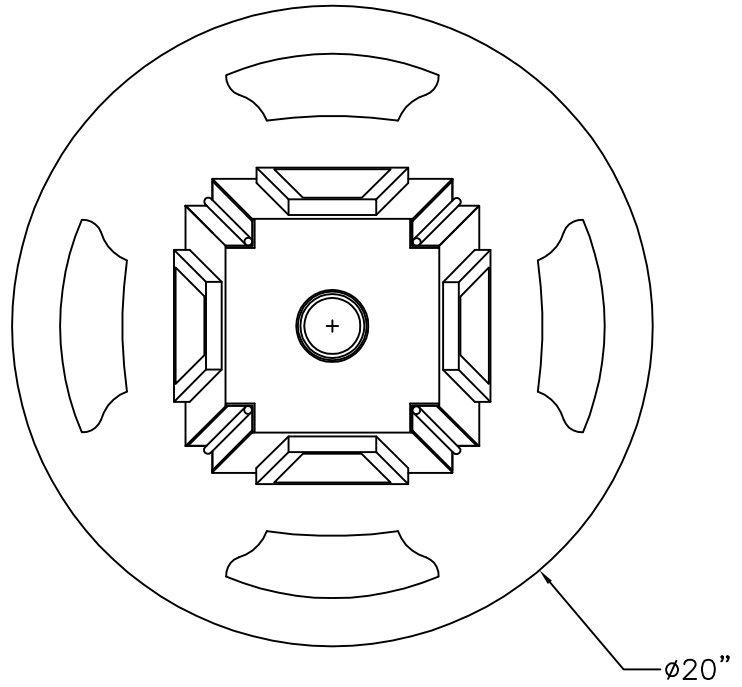
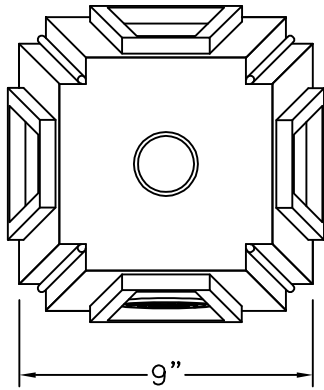


DESIGN: JARDIN ECO SERIES

LINE: POST MOUNT

FILE: A-004-05SET-MG-S100-1

DATE REV: 20-AUGUST-10



ECO POST BASE

AVAILABLE IN ELECTRIC
AND MANUAL GAS VALVE ONLY

ECO PATIO PORTABLE POST

AVAILABLE IN
MANUAL GAS VALVE

POST ARE SOLD SEPARATELY
* ACTUAL DIMENSIONS MAY VARY UP TO 1/2"

CUSTOM DRAWING CHANGES:

© 2010 SOLARA ENCHAINMENT
UNAUTHORIZED USE OF THIS
PLAN IS IN VIOLATION OF THE
U.S. COPYRIGHT ACT TITLE 17
OF THE U.S. CODE

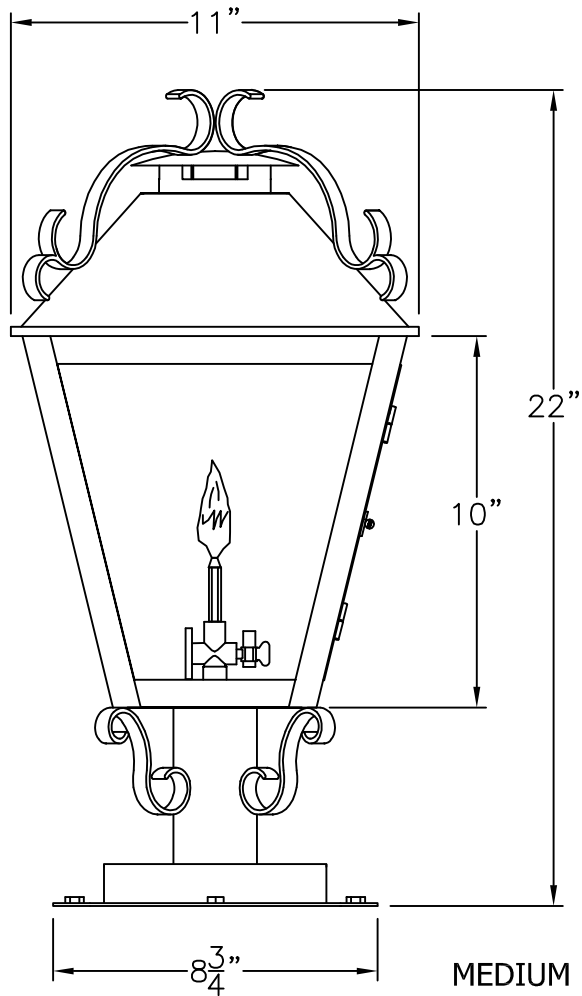


DESIGN: ECO SERIES

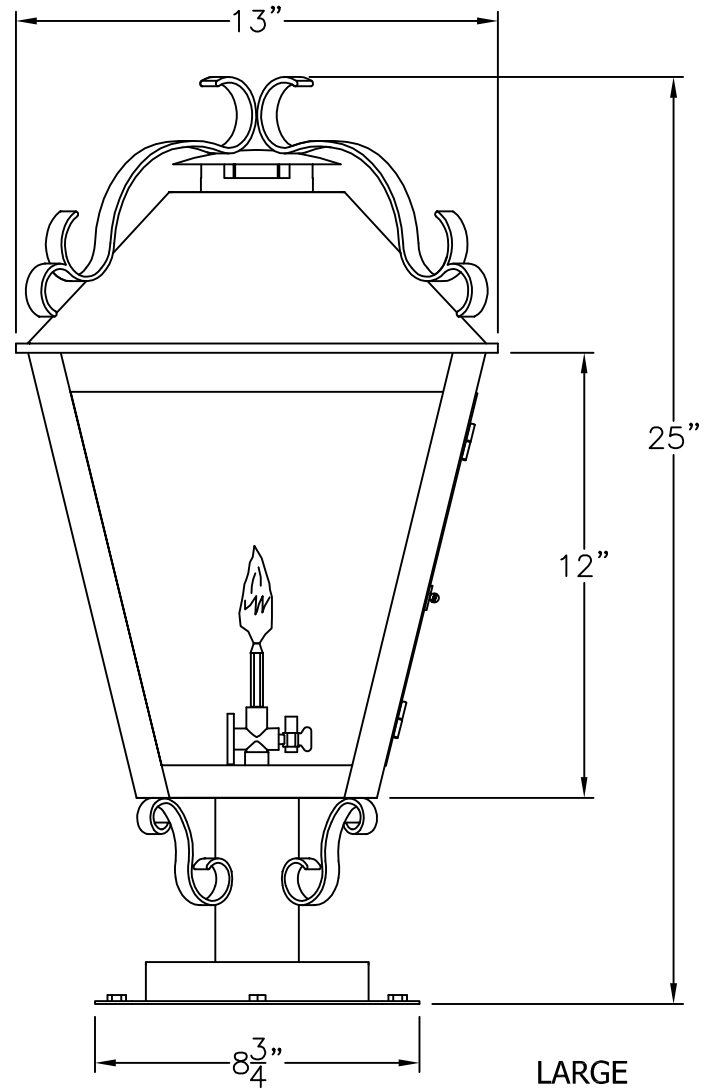
LINE: POST MOUNT

FILE:

DATE REV : 20-AUGUST-10



MEDIUM
A-004-062
11" W x 22" H



LARGE
A-004-063
13" W x 25" H

AVAILABLE IN:
MG (MANUAL GAS VALVE) & ELECTRIC

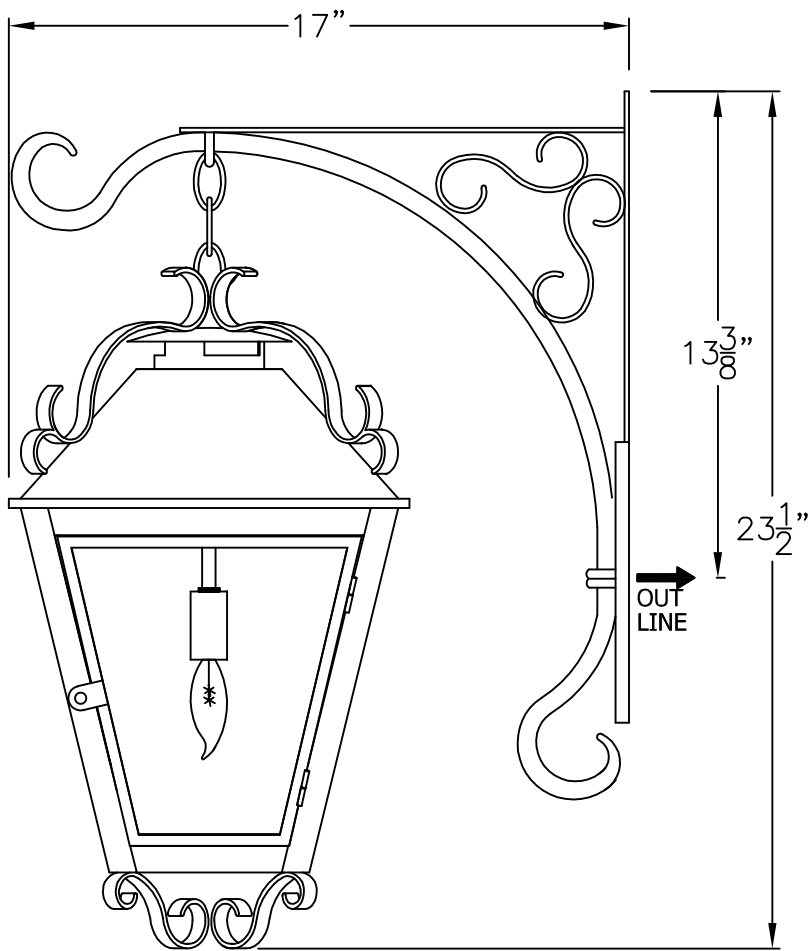
* ACTUAL DIMENSIONS MAY VARY UP TO 1/2"

CUSTOM DRAWING CHANGES:

© 2010 SOLARA ENCHAINMENT
UNAUTHORIZED USE OF THIS
PLAN IS IN VIOLATION OF THE
U.S. COPYRIGHT ACT TITLE 17
OF THE U.S. CODE

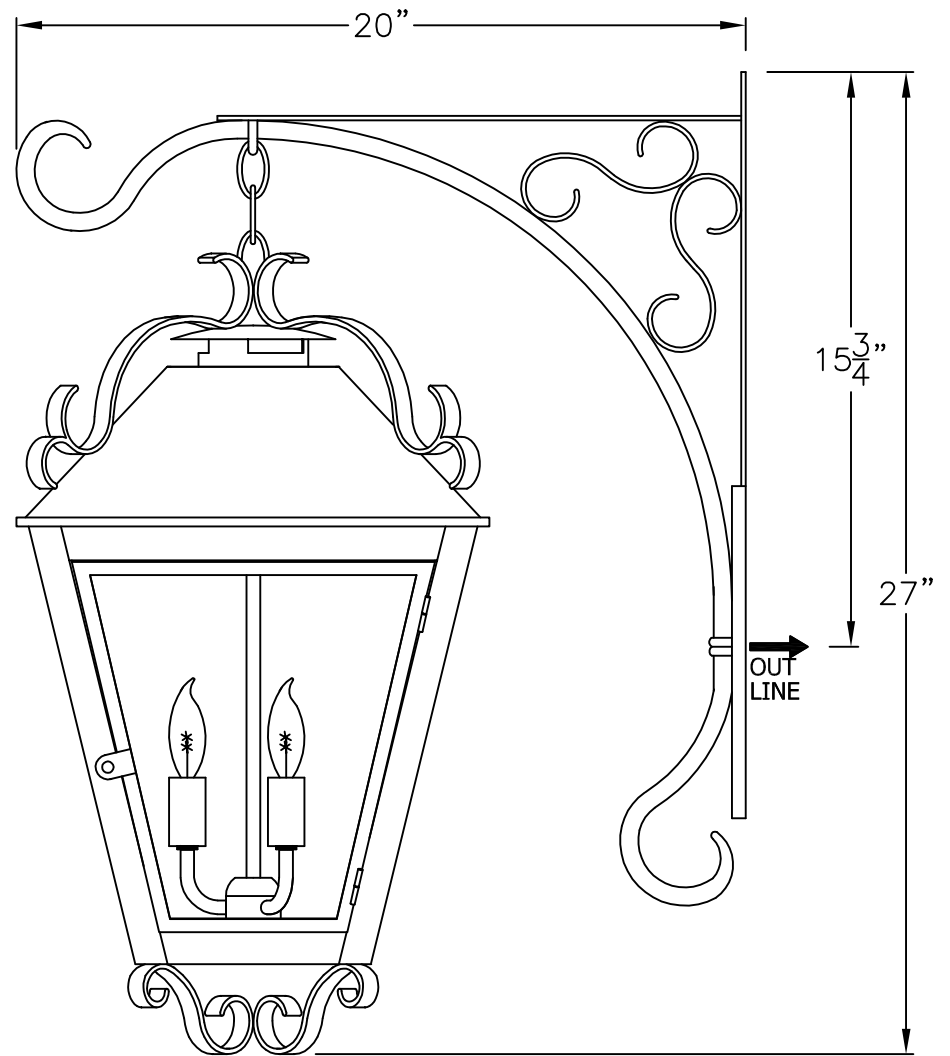


DESIGN:	JARDIN ECO SERIES
LINE:	PIER MOUNT
FILE:	A-004-06SET-MG-S100-1
DATE REV:	20-AUGUST-10



MEDIUM
A-004-102
11" W x 23 1/2" H x 17" D

AVAILABLE IN
ELECTRIC ONLY



LARGE
A-004-103
13" W x 27" H x 20" D

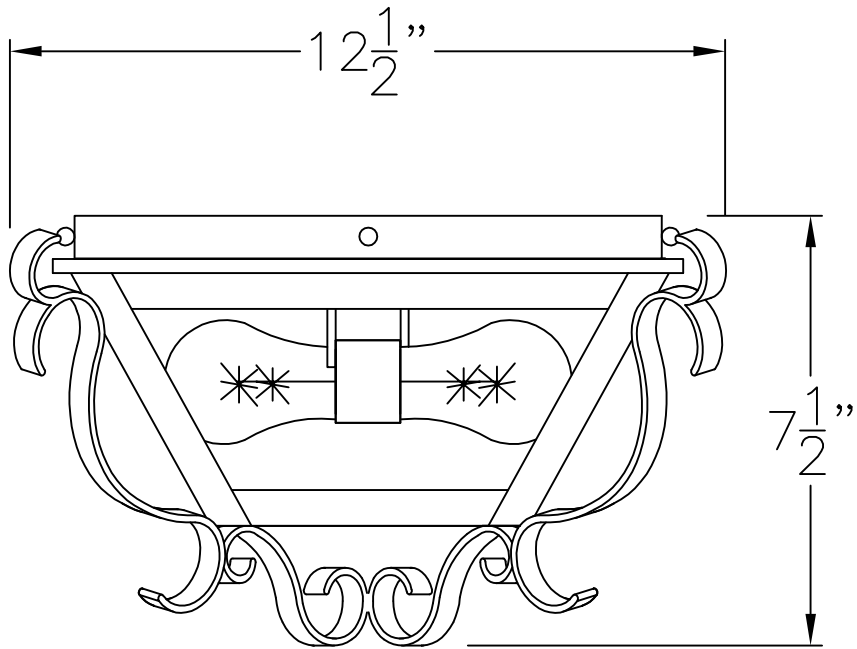
* ACTUAL DIMENSIONS MAY VARY UP TO 1/2"

CUSTOM DRAWING CHANGES:

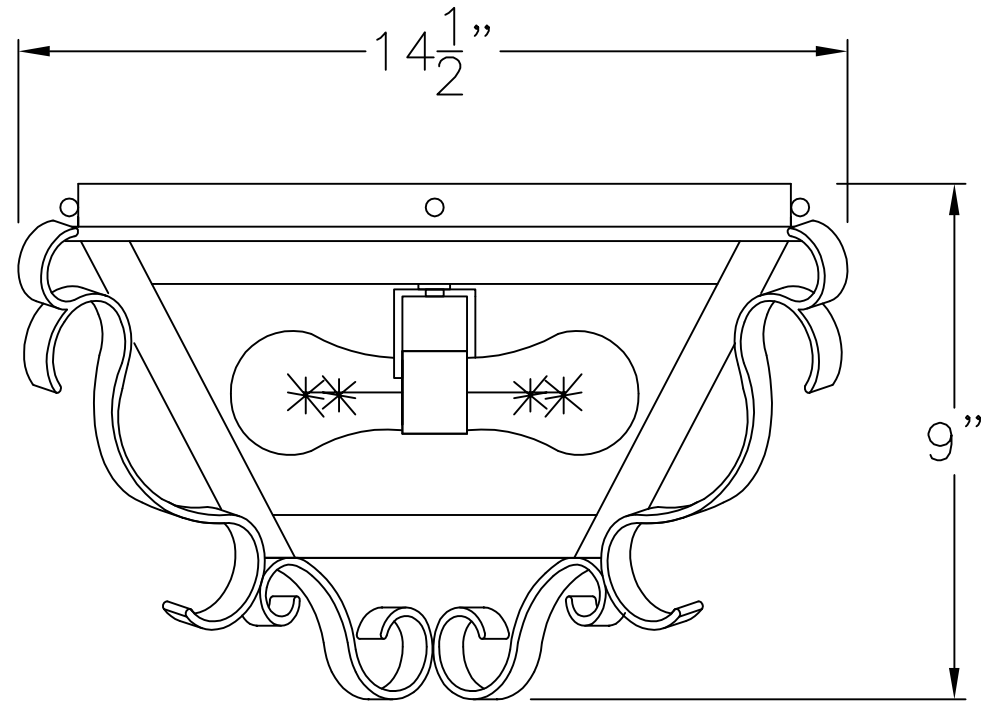
© 2010 SOLARA ENCHAINMENT
UNAUTHORIZED USE OF THIS
PLAN IS IN VIOLATION OF THE
U.S. COPYRIGHT ACT TITLE 17
OF THE U.S. CODE



DESIGN:	JARDIN ECO SERIES
LINE:	HANGING BRACKET
FILE:	A-004-10SET-EL-S100-1
DATE REV:	20-AUGUST-10



MEDIUM
A-004-122
12 1/2" W x 7 1/2" H



LARGE
A-004-123
14 1/2" W x 9" H

AVAILABLE IN
ELECTRIC ONLY

* ACTUAL DIMENSIONS MAY VARY UP TO 1/2"

CUSTOM DRAWING CHANGES:

© 2010 SOLARA ENCHAINMENT
UNAUTHORIZED USE OF THIS
PLAN IS IN VIOLATION OF THE
U.S. COPYRIGHT ACT TITLE 17
OF THE U.S. CODE



DESIGN:	JARDIN ECO SERIES
LINE:	FLUSH CEILING
FILE:	A-004-12SET-EL-S100-1
DATE REV:	20-AUGUST-10