



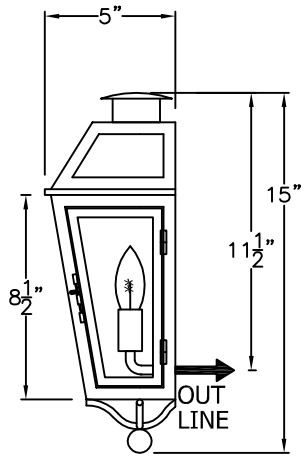
SOLARA

Iron Doors & Lighting

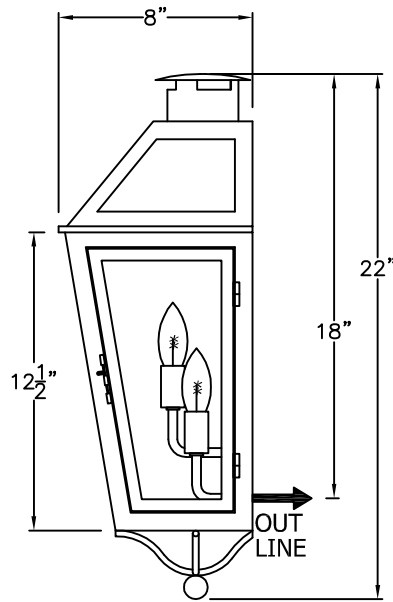


Mardi Gras - C005

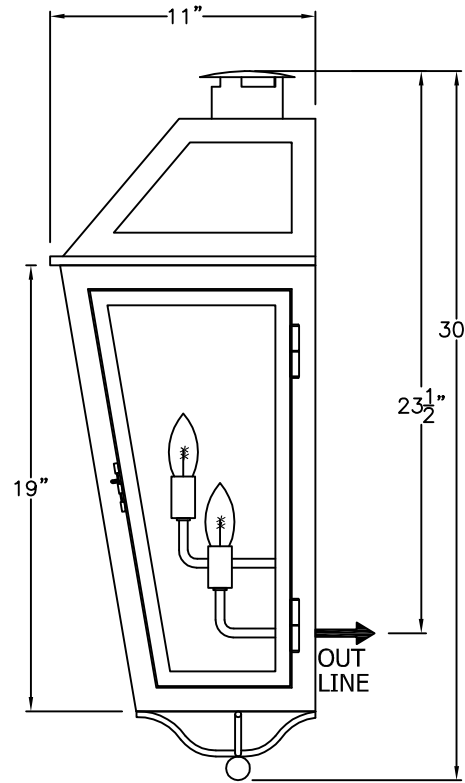




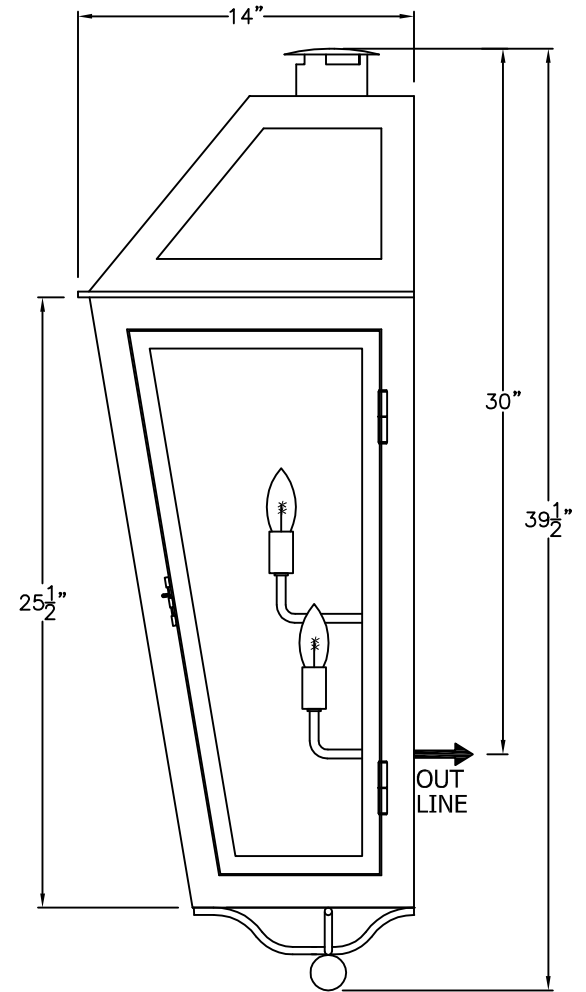
SMALL
C-005-001
8" W x 15" H x 5" D



MEDIUM
C-005-002
11 1/2" W x 22" H x 8" D



LARGE
C-005-003
16" W x 30" H x 11" D



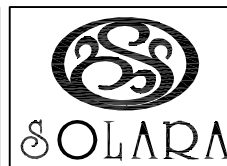
XLARGE
C-005-004
21" W x 39 1/2" H x 14" D

ONLY AVAILABLE
IN ELECTRIC

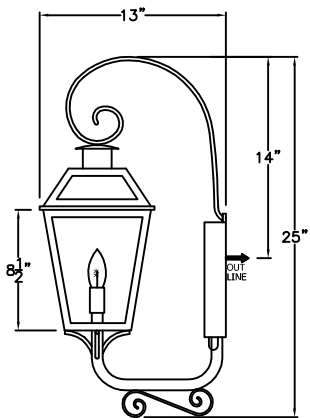
* ACTUAL DIMENSIONS MAY VARY UP TO 1/2"

CUSTOM DRAWING CHANGES:

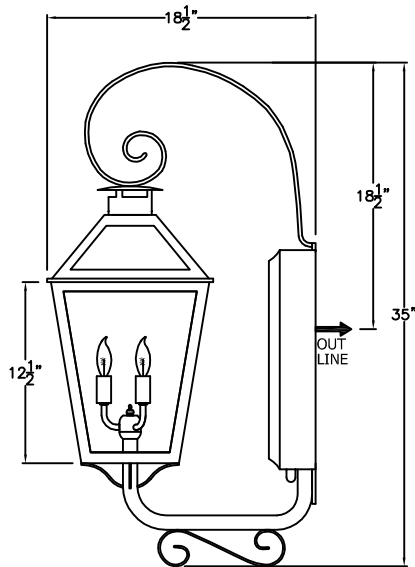
© 2010 SOLARA ENCHAINMENT
UNAUTHORIZED USE OF THIS
PLAN IS IN VIOLATION OF THE
U.S. COPYRIGHT ACT TITLE 17
OF THE U.S. CODE.



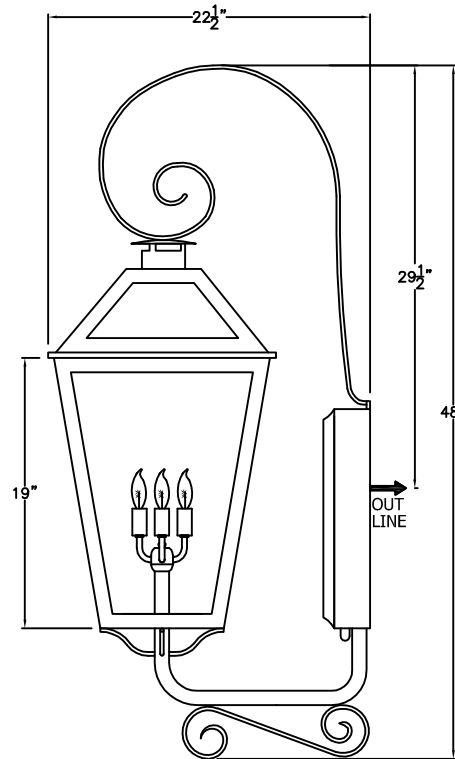
DESIGN:	MARDI GRAS
LINE:	SCONCE MOUNT
FILE:	C-005-00SET-EL-S100-1
DATE REV:	24-SEP-10



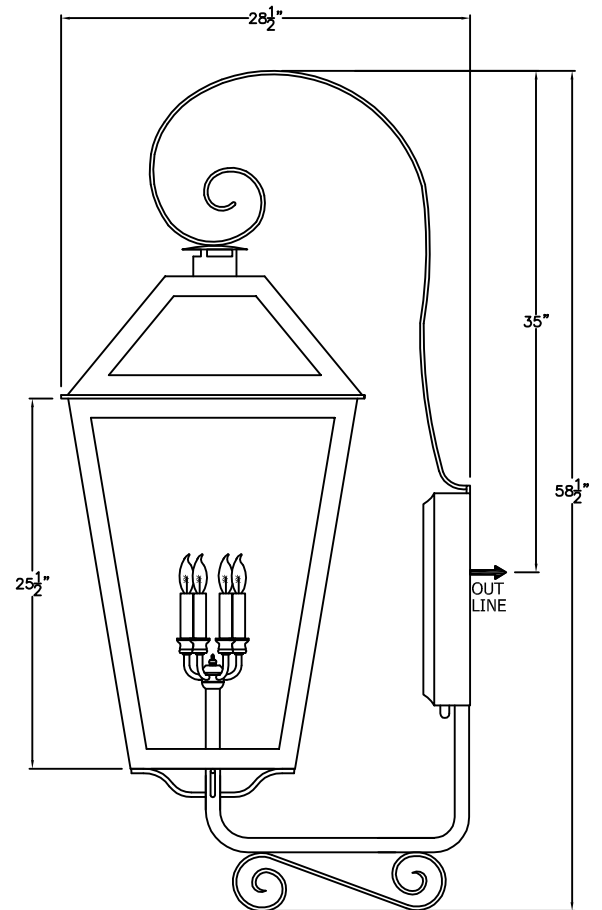
SMALL
C-005-011
8" W x 25" H x 13" D



MEDIUM
C-005-012
11 1/2" W x 35" H x 18 1/2" D



LARGE
C-005-013
16" W x 48" H x 22 1/2" D



XLARGE
C-005-014
21" W x 58 1/2" H x 28 1/2" D

AVAILABLE IN
GAS & ELECTRIC
WITH EXCEPTION
OF SMALL SIZE

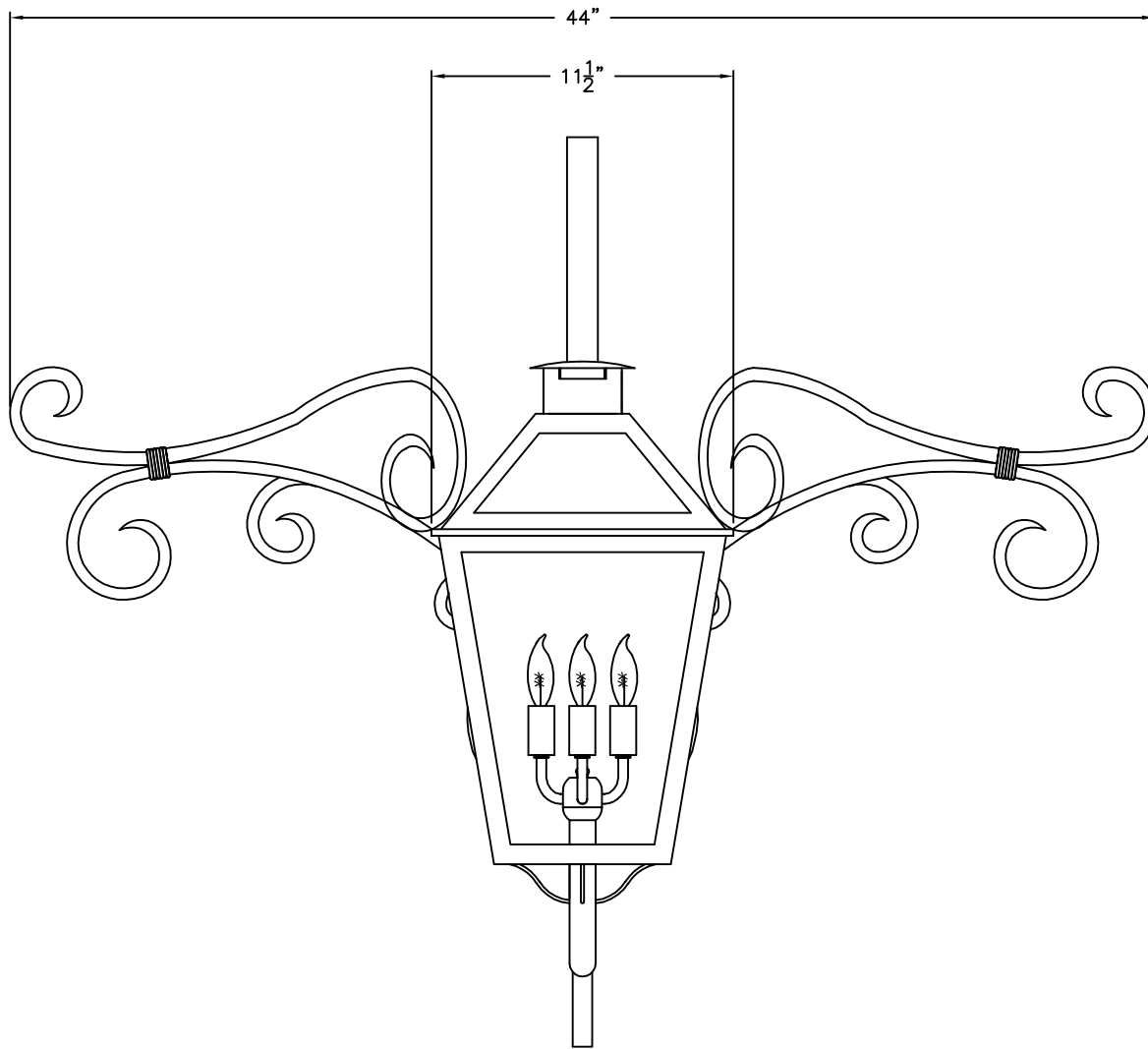
* ACTUAL DIMENSIONS MAY VARY UP TO 1/2"

CUSTOM DRAWING CHANGES:

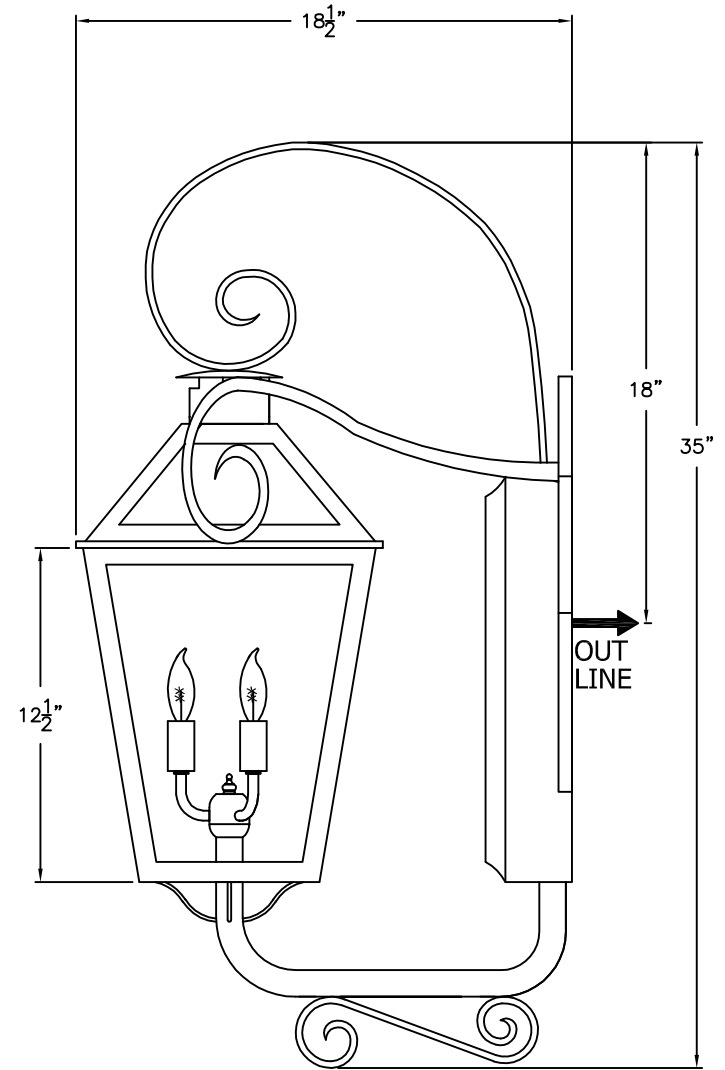
© 2010 SOLARA ENCHAINMENT
UNAUTHORIZED USE OF THIS
PLAN IS IN VIOLATION OF THE
U.S. COPYRIGHT ACT TITLE 17
OF THE U.S. CODE.



DESIGN:	MARDI GRAS
LINE:	WALL MOUNT
FILE:	C-005-01SET-EL-S100-1
DATE REV:	24-SEP-10



FRONT VIEW



SIDE VIEW

MEDIUM
C-005-022
44" W x 35" H x 18 1/2" D

AVAILABLE IN
GAS & ELECTRIC
WITH EXCEPTION
OF SMALL SIZE

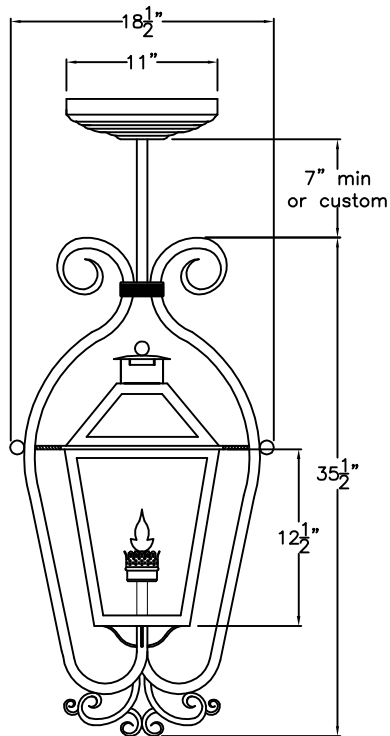
* ACTUAL DIMENSIONS MAY VARY UP TO 1/2"

CUSTOM DRAWING CHANGES:

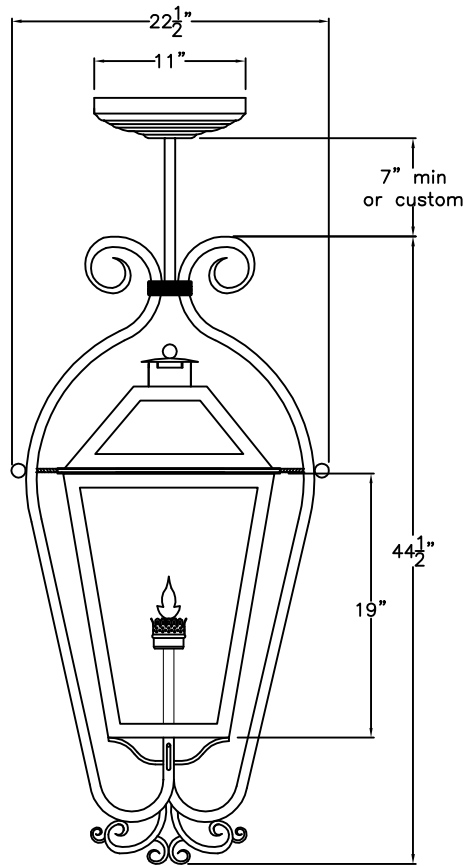
© 2010 SOLARA ENCHAINMENT
UNAUTHORIZED USE OF THIS
PLAN IS IN VIOLATION OF THE
U.S. COPYRIGHT ACT TITLE 17
OF THE U.S. CODE.



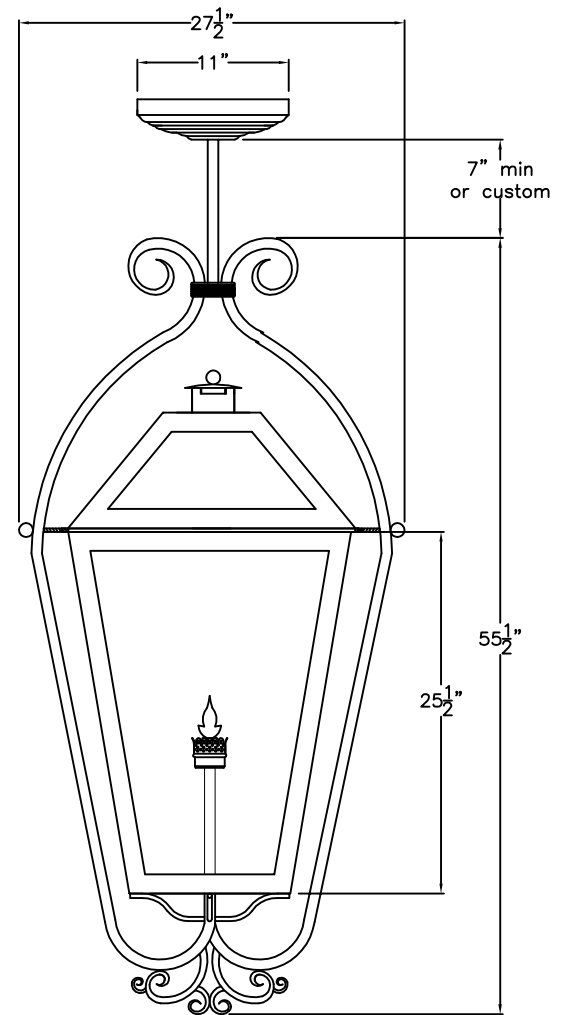
DESIGN:	MARDI GRAS
LINE:	CENTRAL MOUNT
FILE:	C-005-022-EL-S100-1
DATE REV:	24-SEP-10



MEDIUM
C-005-03A2
18 1/2" W x 35 1/2" H



LARGE
C-005-03A3
22 1/2" W x 44 1/2" H



XLARGE
C-005-03A4
27 1/2" W x 55 1/2" H

AVAILABLE IN
GAS & ELECTRIC
WITH EXCEPTION
OF SMALL SIZE

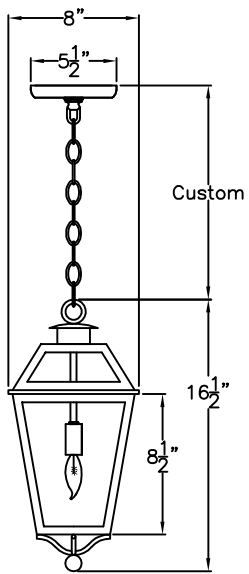
* ACTUAL DIMENSIONS MAY VARY UP TO 1/2"

CUSTOM DRAWING CHANGES:

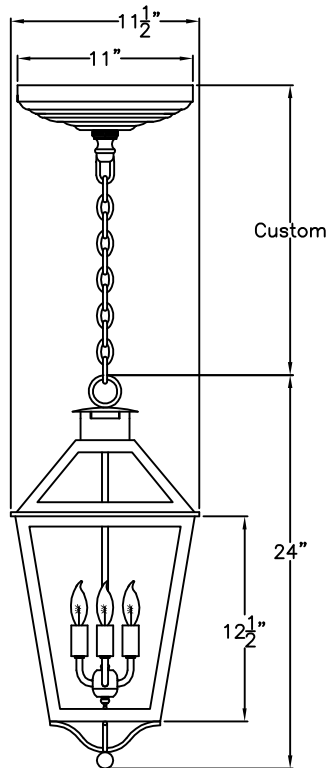
© 2010 SOLARA ENCHAINMENT
UNAUTHORIZED USE OF THIS
PLAN IS IN VIOLATION OF THE
U.S. COPYRIGHT ACT TITLE 17
OF THE U.S. CODE.



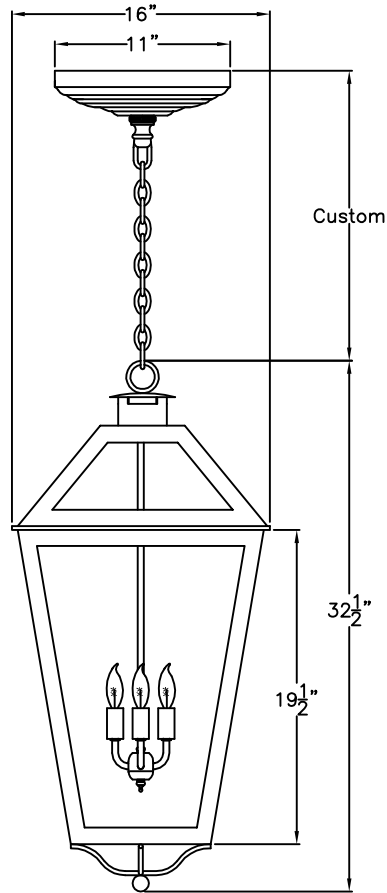
DESIGN:	MARDI GRAS
LINE:	PENDANT STEM
FILE:	C-005-03ASET-EG-S100-1
DATE REV:	24-SEP-10



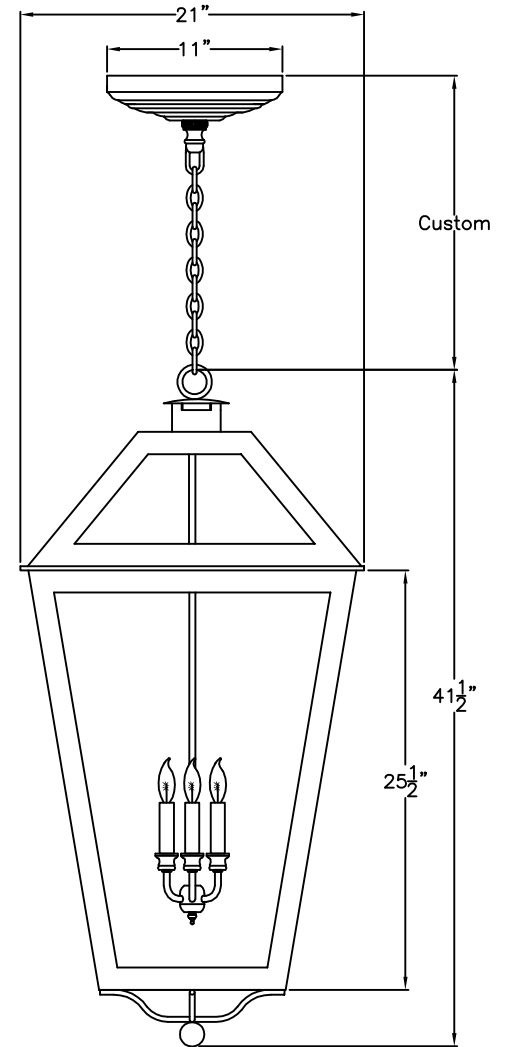
SMALL
C-005-041
8" W x 16 1/2" H



MEDIUM
C-005-042
11 1/2" W x 24" H



LARGE
C-005-043
16" W x 32 1/2" H



XLARGE
C-005-044
21" W x 41 1/2" H

ONLY AVAILABLE
IN ELECTRIC

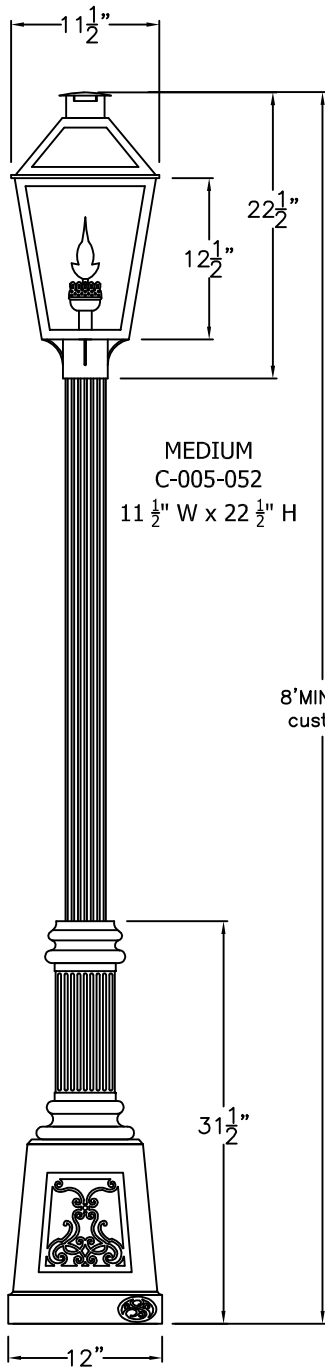
* ACTUAL DIMENSIONS MAY VARY UP TO 1/2"

CUSTOM DRAWING CHANGES:

© 2010 SOLARA ENCHAINMENT
UNAUTHORIZED USE OF THIS
PLAN IS IN VIOLATION OF THE
U.S. COPYRIGHT ACT TITLE 17
OF THE U.S. CODE.



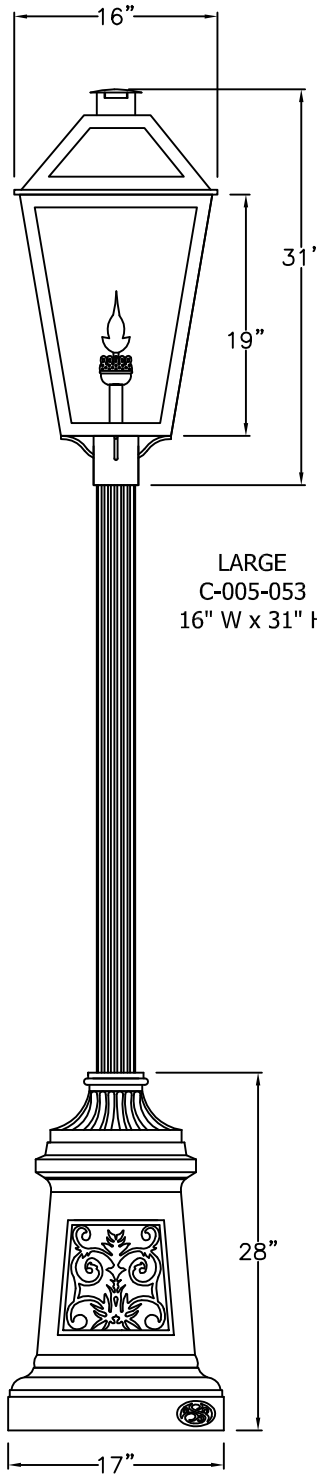
DESIGN:	MARDI GRAS
LINE:	PENDANT CHAIN
FILE:	C-005-04SET-EL-S100-1
DATE REV:	24-SEP-10



MEDIUM
C-005-052
11 1/2" W x 22 1/2" H

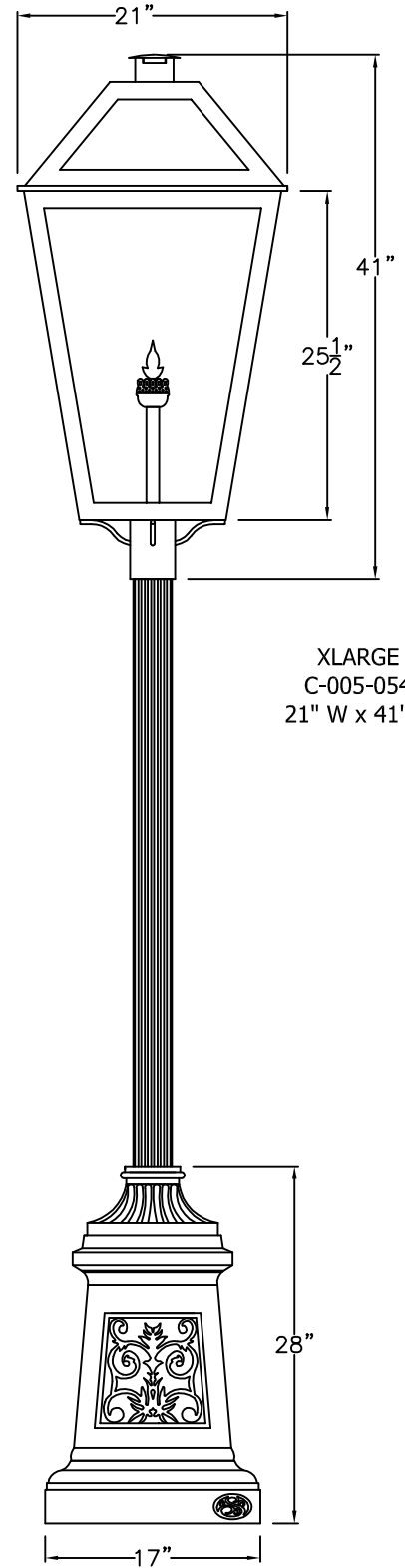
8' MIN or
custom

SOLARA BASE



LARGE
C-005-053
16" W x 31" H

MUNICH BASE



XLARGE
C-005-054
21" W x 41" H

AVAILABLE IN
GAS & ELECTRIC
WITH EXCEPTION
OF SMALL SIZE

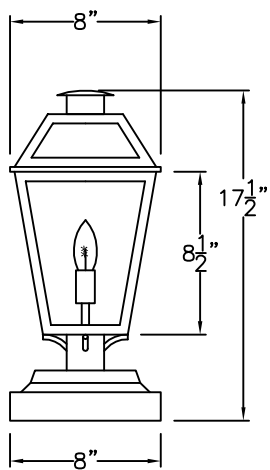
* POST ARE SOLD SEPARATELY
* ACTUAL DIMENSIONS MAY VARY UP TO 1/2"

CUSTOM DRAWING CHANGES:

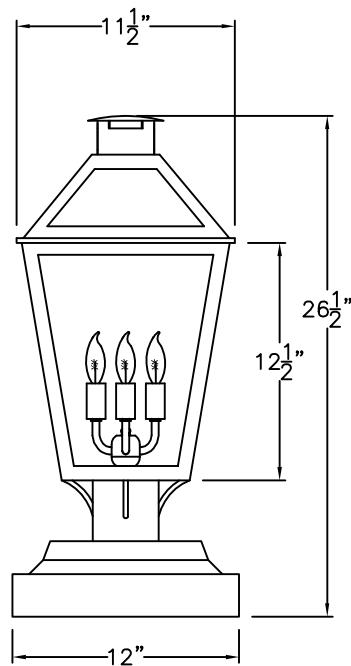
© 2010 SOLARA ENCHAINMENT
UNAUTHORIZED USE OF THIS
PLAN IS IN VIOLATION OF THE
U.S. COPYRIGHT ACT TITLE 17
OF THE U.S. CODE.



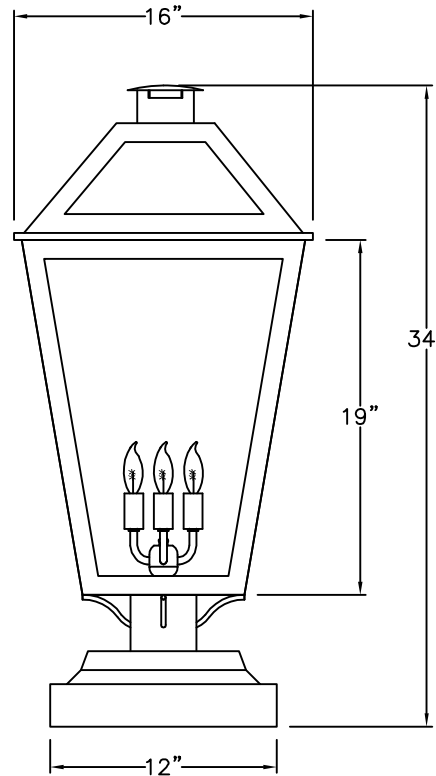
DESIGN:	MARDI GRAS
LINE:	POST MOUNT
FILE:	C-005-05SET-EG-S100-1
DATE REV:	24-SEP-10



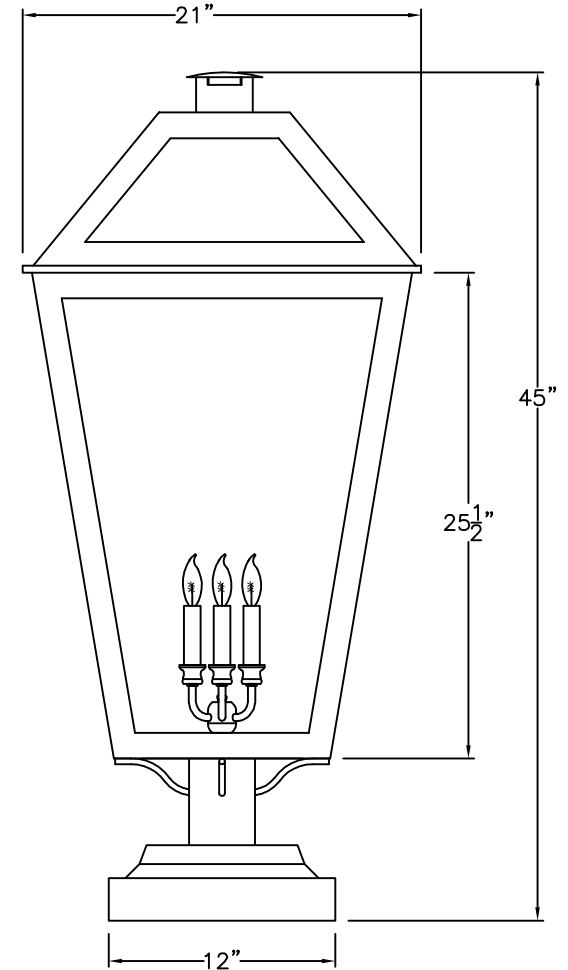
SMALL
C-005-061
8" W x 17 1/2" H



MEDIUM
C-005-062
11 1/2" W x 26 1/2" H



LARGE
C-005-063
16" W x 34" H



XLARGE
C-005-064
21" W x 45" H

AVAILABLE IN
GAS & ELECTRIC
WITH EXCEPTION
OF SMALL SIZE

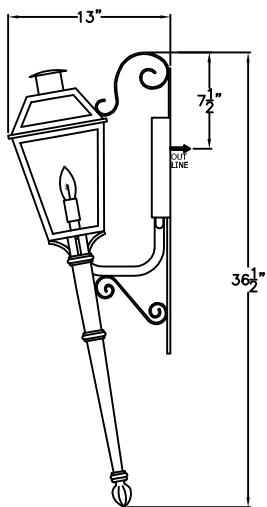
* ACTUAL DIMENSIONS MAY VARY UP TO 1/2"

CUSTOM DRAWING CHANGES:

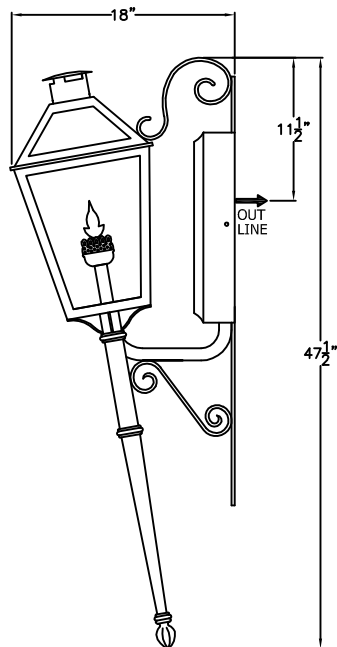
© 2010 SOLARA ENCHAINMENT
UNAUTHORIZED USE OF THIS
PLAN IS IN VIOLATION OF THE
U.S. COPYRIGHT ACT TITLE 17
OF THE U.S. CODE.



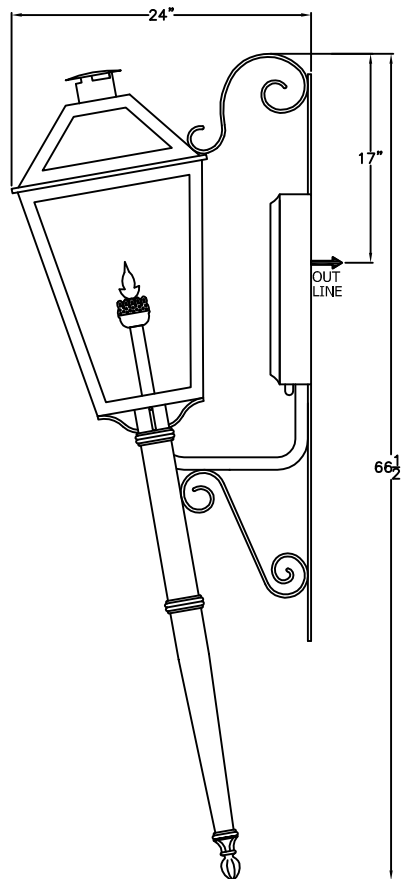
DESIGN:	MARDI GRAS
LINE:	PIER MOUNT
FILE:	C-005-06SET-EL-S100-1
DATE REV:	11-OCT-10



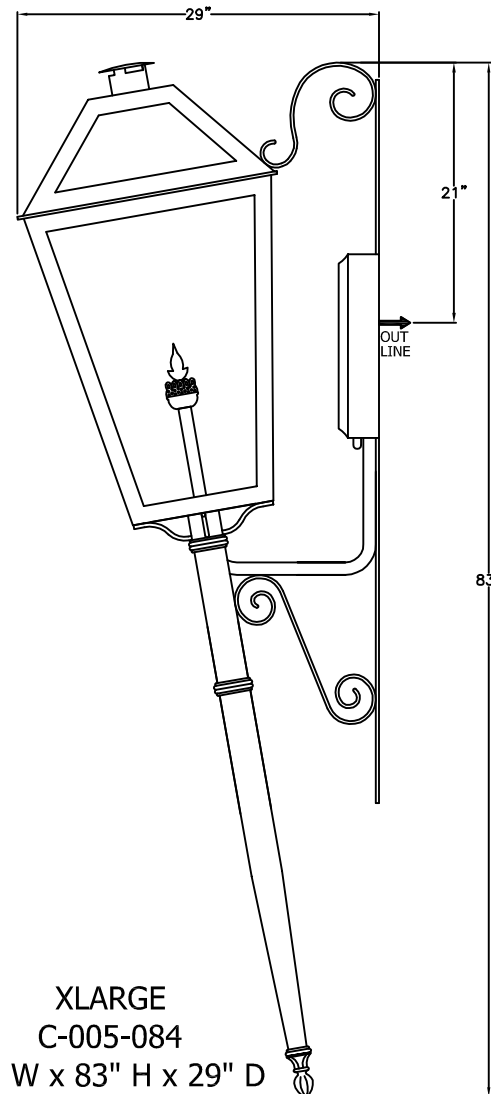
SMALL
C-005-081
 8" W x 36 $\frac{1}{2}$ " H x 13" D



MEDIUM
C-005-082
 11 $\frac{1}{2}$ " W x 47 $\frac{1}{2}$ " H x 18" D



LARGE
C-005-083
 16" W x 66 $\frac{1}{2}$ " H x 24" D



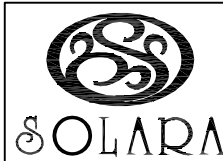
XLARGE
C-005-084
 21" W x 83" H x 29" D

AVAILABLE IN
 GAS & ELECTRIC
 WITH EXCEPTION
 OF SMALL SIZE

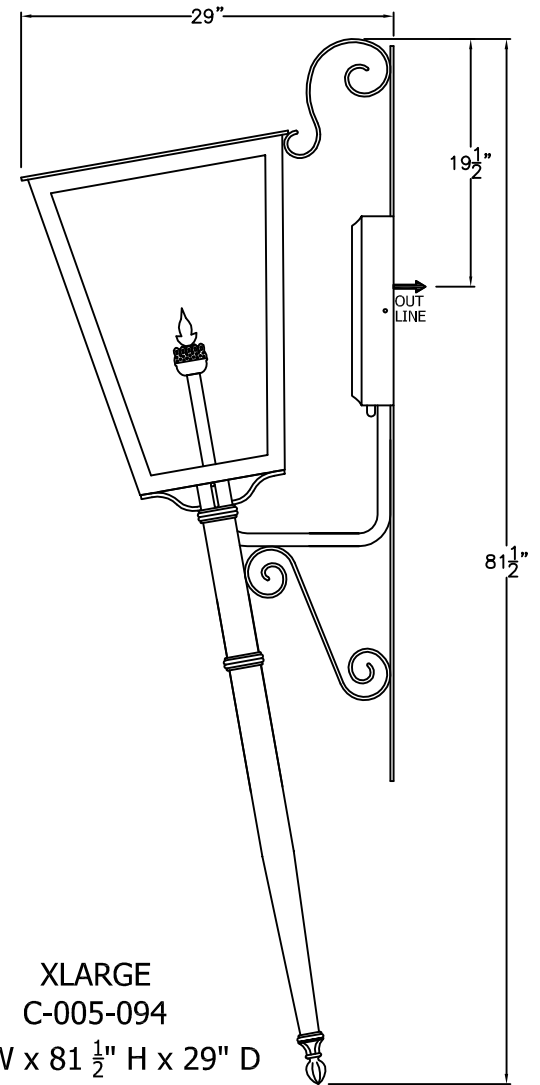
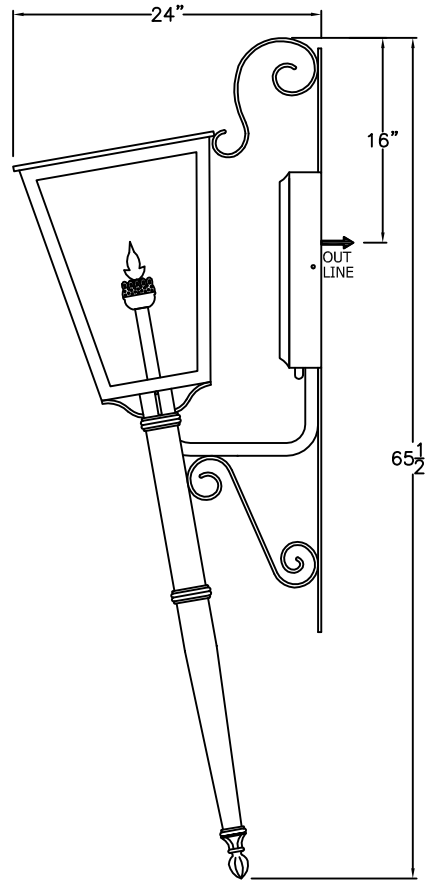
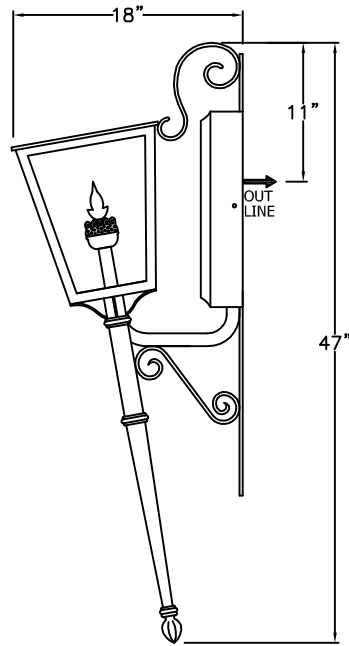
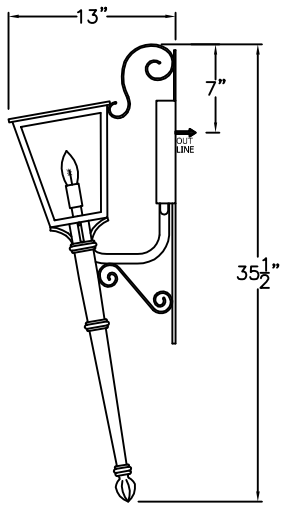
* ACTUAL DIMENSIONS MAY VARY UP TO 1/2"

CUSTOM DRAWING CHANGES:

© 2010 SOLARA ENCHAINMENT
 UNAUTHORIZED USE OF THIS
 PLAN IS IN VIOLATION OF THE
 U.S. COPYRIGHT ACT TITLE 17
 OF THE U.S. CODE.



DESIGN:	MARDI GRAS
LINE:	TORCH MOUNT
FILE:	C-005-08SET-EG-S100-1
DATE REV:	24-SEP-10



SMALL
C-005-091

8" W x 35 1/2" H x 13" D

MEDIUM
C-005-092

11 1/2" W x 47" H x 18" D

LARGE
C-005-093

16" W x 65 1/2" H x 24" D

XLARGE
C-005-094

21" W x 81 1/2" H x 29" D

AVAILABLE IN
GAS & ELECTRIC
WITH EXCEPTION
OF SMALL SIZE

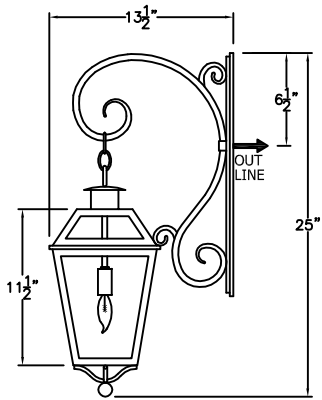
* ACTUAL DIMENSIONS MAY VARY UP TO 1/2"

CUSTOM DRAWING CHANGES:

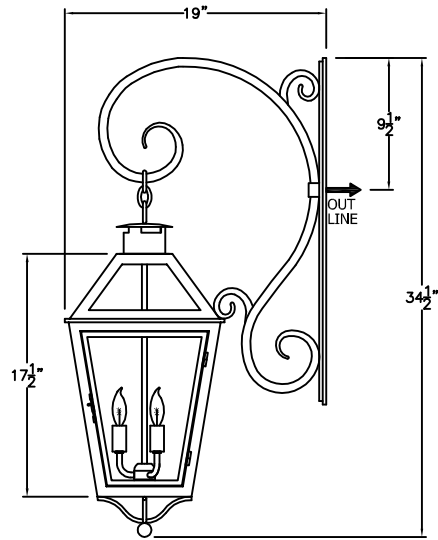
© 2010 SOLARA ENCHAINMENT
UNAUTHORIZED USE OF THIS
PLAN IS IN VIOLATION OF THE
U.S. COPYRIGHT ACT TITLE 17
OF THE U.S. CODE.



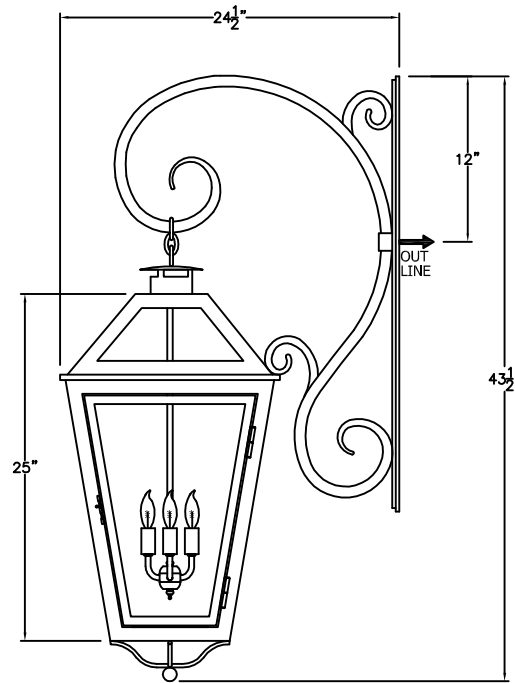
DESIGN:	MARDI GRAS
LINE:	TORCH MOUNT
FILE:	C-005-09SET-EG-S100-1
DATE REV:	24-SEP-10



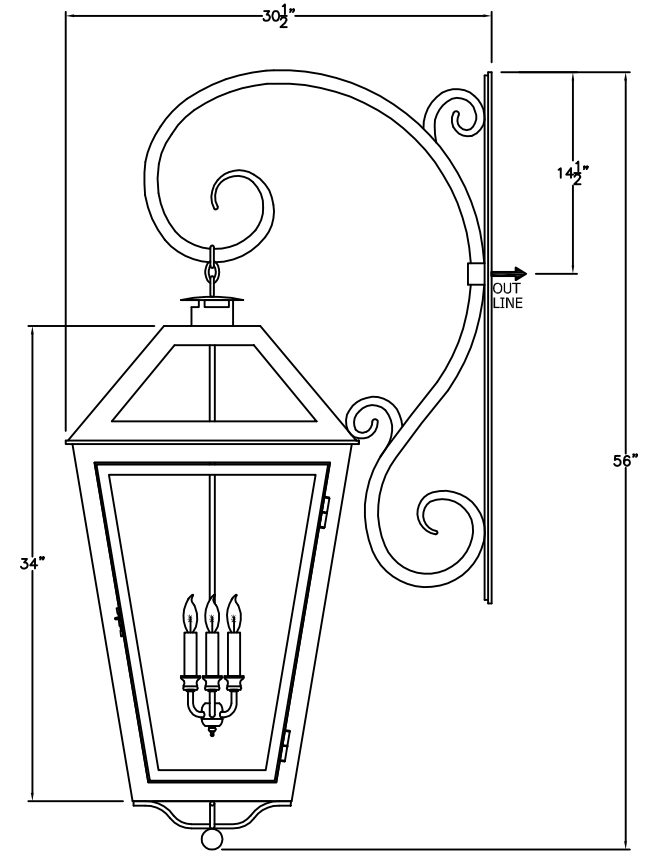
SMALL
C-005-101
8" W x 25" H x 13 1/2" D



MEDIUM
C-005-102
11 1/2" W x 34 1/2" H x 19" D



LARGE
C-005-103
16" W x 43 1/2" H x 24 1/2" D



XLARGE
C-005-104
21" W x 56" H x 30 1/2" D

ONLY AVAILABLE
IN ELECTRIC

* ACTUAL DIMENSIONS MAY VARY UP TO 1/2"

CUSTOM DRAWING CHANGES:

© 2011 SOLARA ENCHAINMENT
UNAUTHORIZED USE OF THIS
PLAN IS IN VIOLATION OF THE
U.S. COPYRIGHT ACT TITLE 17
OF THE U.S. CODE.



DESIGN:	MARDI GRAS
LINE:	HANGING MOUNT
FILE:	C-005-10SET-EL-S100-1
DATE REV:	02-FEB-11