



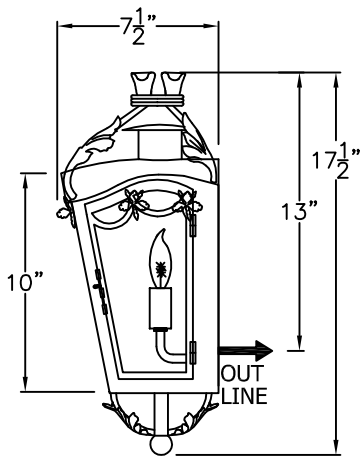
# SOLARA

Iron Doors & Lighting

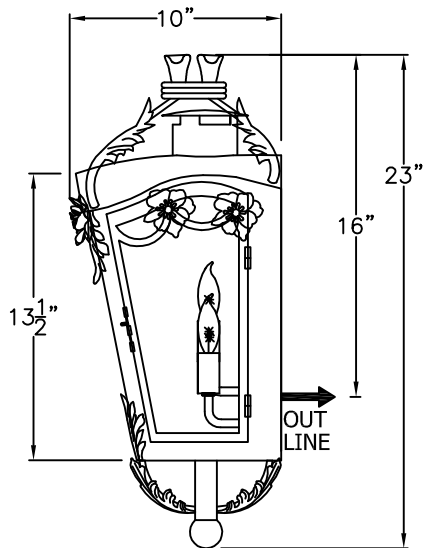


## Napa - D001

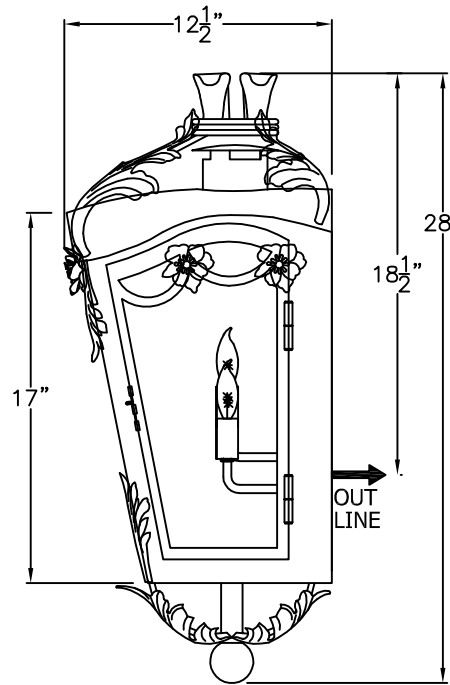




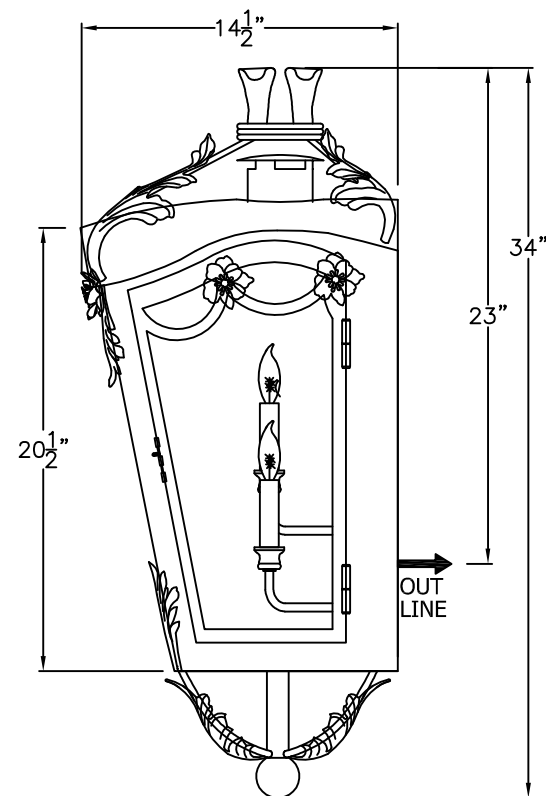
SMALL  
D-001-001  
9" W X 17 1/2" H X 7 1/2" D



MEDIUM  
D-001-002  
12" W X 23" H X 10" D



LARGE  
D-001-003  
14 1/2" W X 28" H X 12 1/2" D



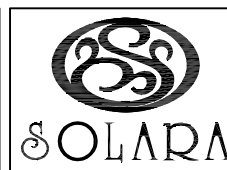
X-LARGE  
D-001-004  
17" W X 34" H X 14 1/2" D

ONLY AVAILABLE  
IN ELECTRIC

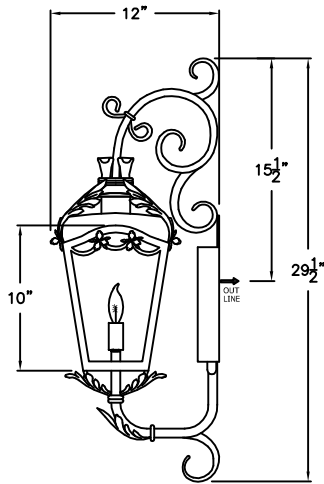
\* ACTUAL DIMENSIONS MAY VARY UP TO 1/2"

CUSTOM DRAWING CHANGES:

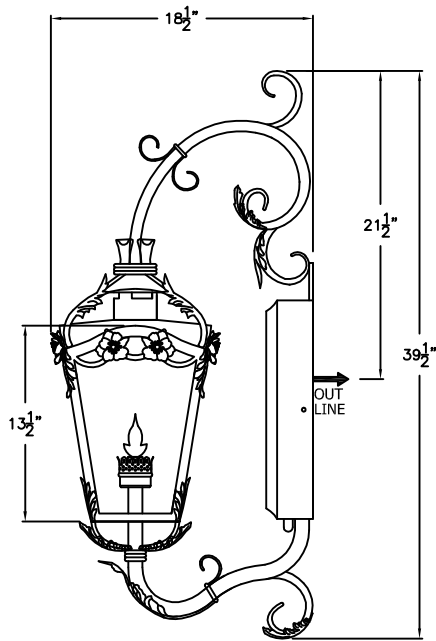
© 2011 SOLARA ENCHAINMENT  
UNAUTHORIZED USE OF THIS  
PLAN IS IN VIOLATION OF THE  
U.S. COPYRIGHT ACT TITLE 17  
OF THE U.S. CODE.



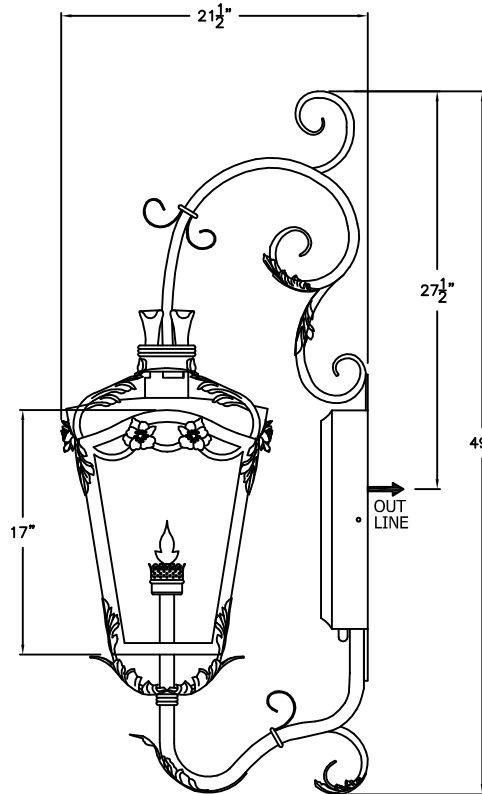
DESIGN:	NAPA
LINE:	SCONCE MOUNT
FILE:	D-001-00SET-EL-S100-1
DATE REV:	02-FEB-11



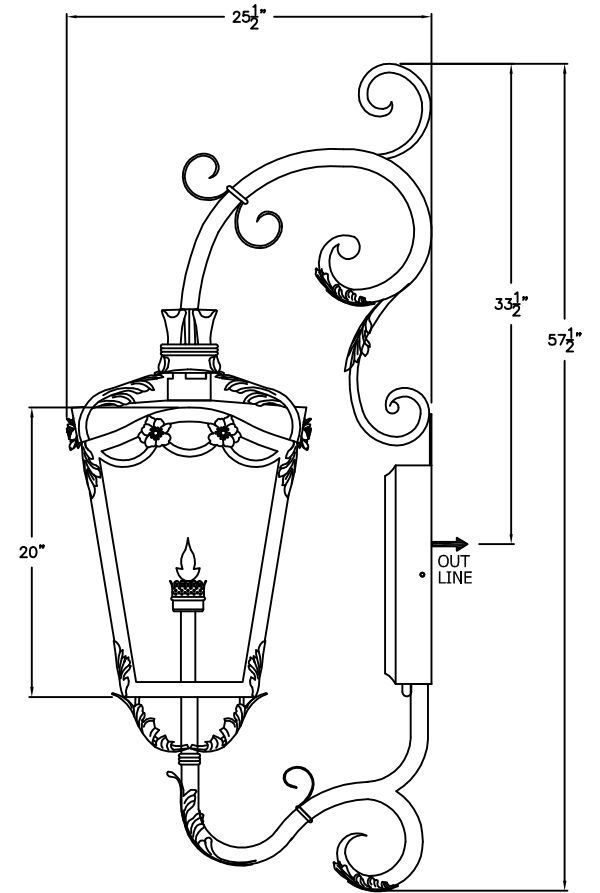
SMALL  
D-001-011  
9" W X 29 1/2" H X 12" D



MEDIUM  
D-001-012  
12" W X 39 1/2" H X 18 1/2" D



LARGE  
D-001-013  
14 1/2" W X 49" H X 21 1/2" D



XLARGE  
D-001-014  
17" W X 57 1/2" H X 25 1/2" D

AVAILABLE IN  
GAS & ELECTRIC  
WITH EXCEPTION  
OF SMALL SIZE

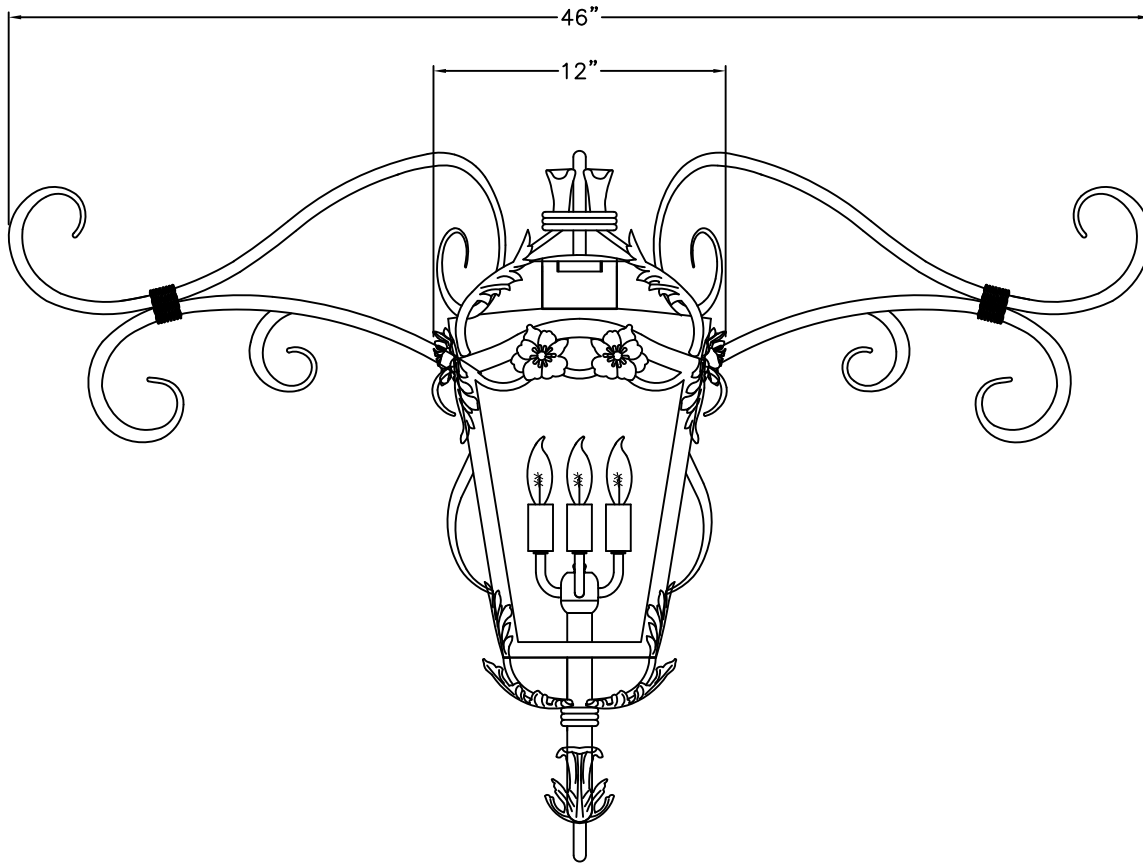
\* ACTUAL DIMENSIONS MAY VARY UP TO 1/2"

CUSTOM DRAWING CHANGES:

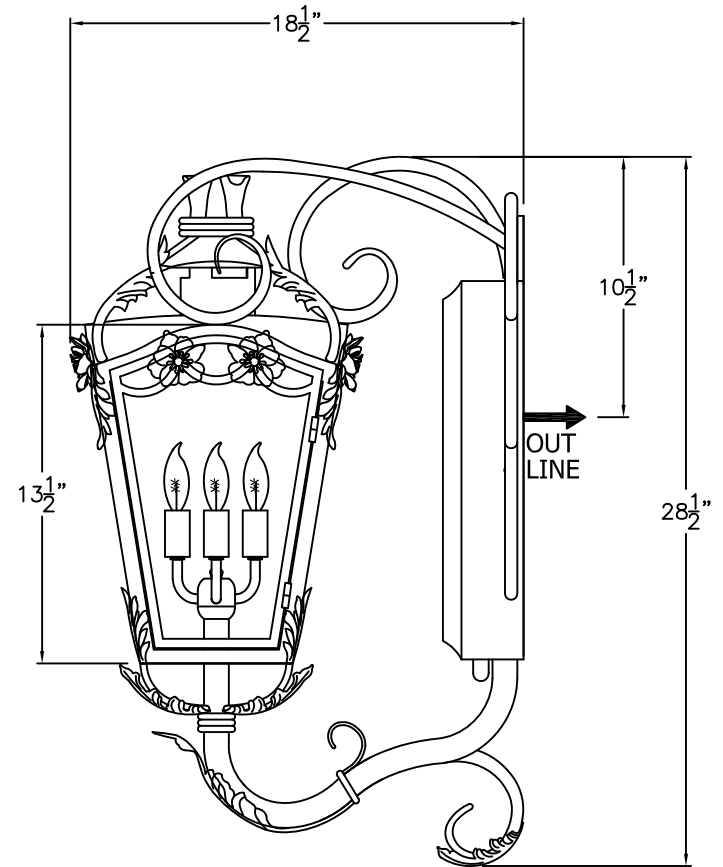
© 2010 SOLARA ENCHAINMENT  
UNAUTHORIZED USE OF THIS  
PLAN IS IN VIOLATION OF THE  
U.S. COPYRIGHT ACT TITLE 17  
OF THE U.S. CODE.



DESIGN:	NAPA
LINE:	WALL MOUNT
FILE:	D-001-01SET-EG-S100-2
DATE REV:	30-SEP-10



FRONT VIEW



SIDE VIEW

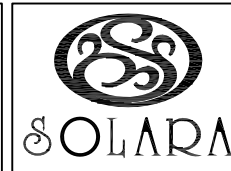
MEDIUM  
 D-001-022  
 46" W X 28 1/2" H X 18 1/2" D

AVAILABLE IN  
 GAS & ELECTRIC  
 WITH EXCEPTION  
 OF SMALL SIZE

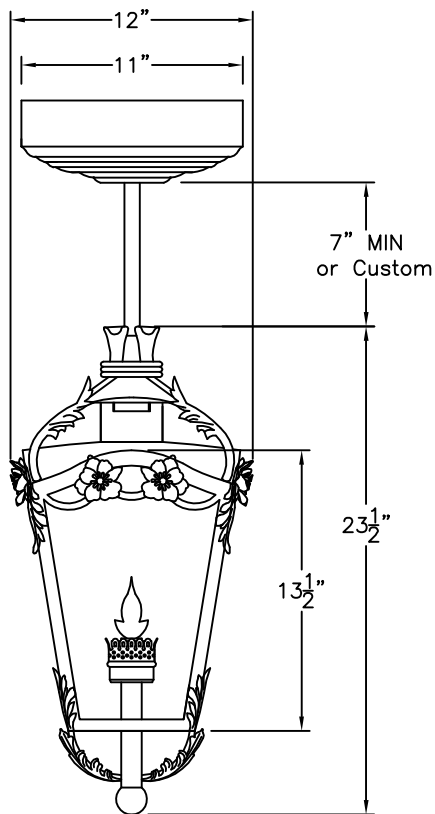
\* ACTUAL DIMENSIONS MAY VARY UP TO 1/2"

CUSTOM DRAWING CHANGES:

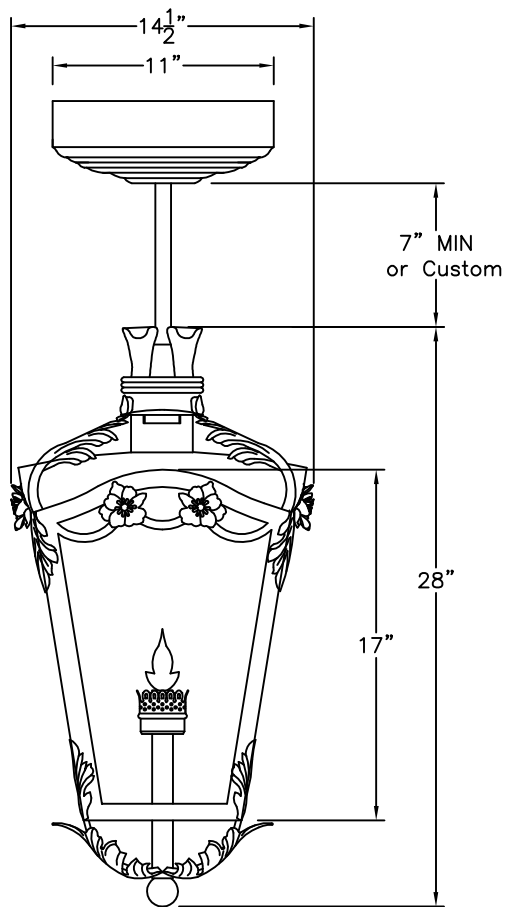
© 2010 SOLARA ENCHAINMENT  
 UNAUTHORIZED USE OF THIS  
 PLAN IS IN VIOLATION OF THE  
 U.S. COPYRIGHT ACT TITLE 17  
 OF THE U.S. CODE.



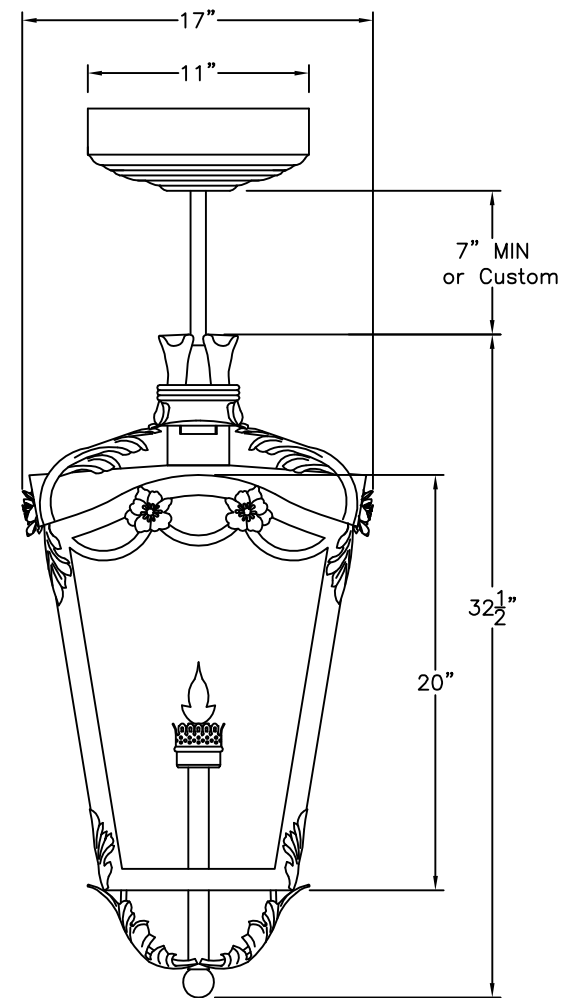
DESIGN:	NAPA
LINE:	CENTRAL MOUNT
FILE:	D-001-022-EL-S100-3
DATE REV:	30-SEP-10



MEDIUM  
D-001-032  
12" W X 23 1/2" H



LARGE  
D-001-033  
14 1/2" W X 28" H



XLARGE  
D-001-034  
17" W X 32 1/2" H

AVAILABLE IN  
GAS & ELECTRIC  
WITH EXCEPTION  
OF SMALL SIZE

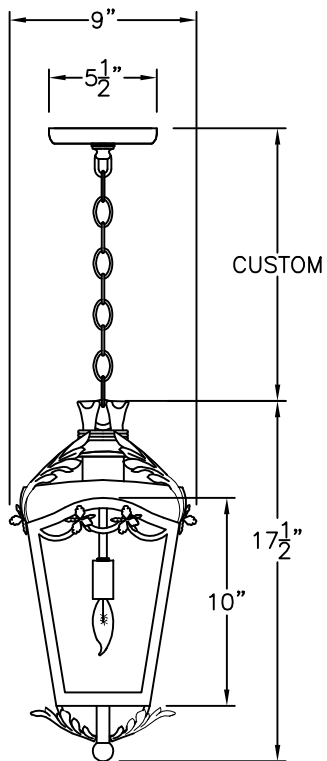
\* ACTUAL DIMENSIONS MAY VARY UP TO 1/2"

CUSTOM DRAWING CHANGES:

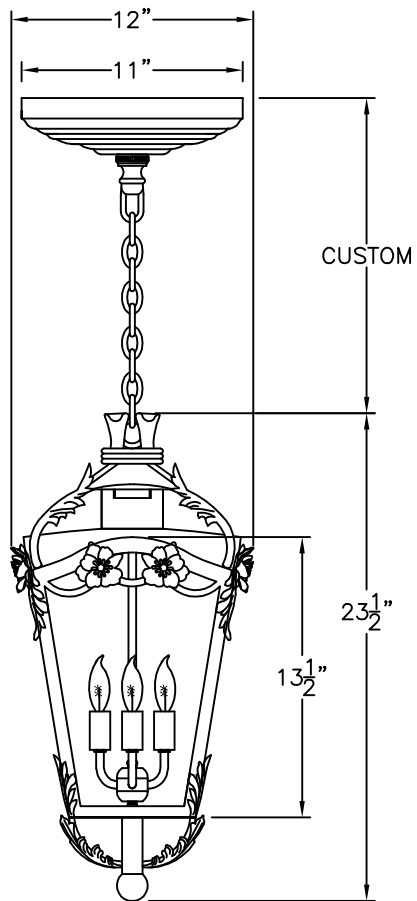
© 2010 SOLARA ENCHAINMENT  
UNAUTHORIZED USE OF THIS  
PLAN IS IN VIOLATION OF THE  
U.S. COPYRIGHT ACT TITLE 17  
OF THE U.S. CODE.



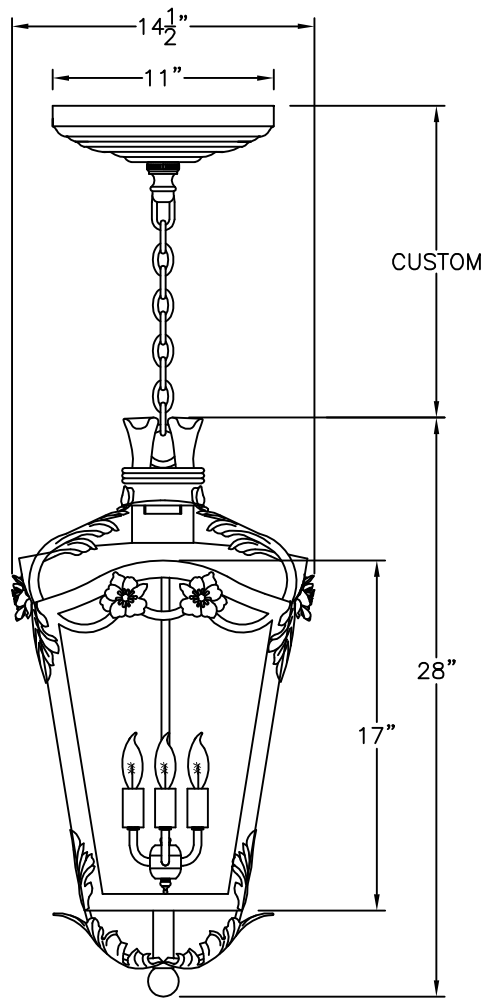
DESIGN:	NAPA
LINE:	PENDANT STEM
FILE:	D-001-03SET-EG-S100-2
DATE REV:	30-SEP-10



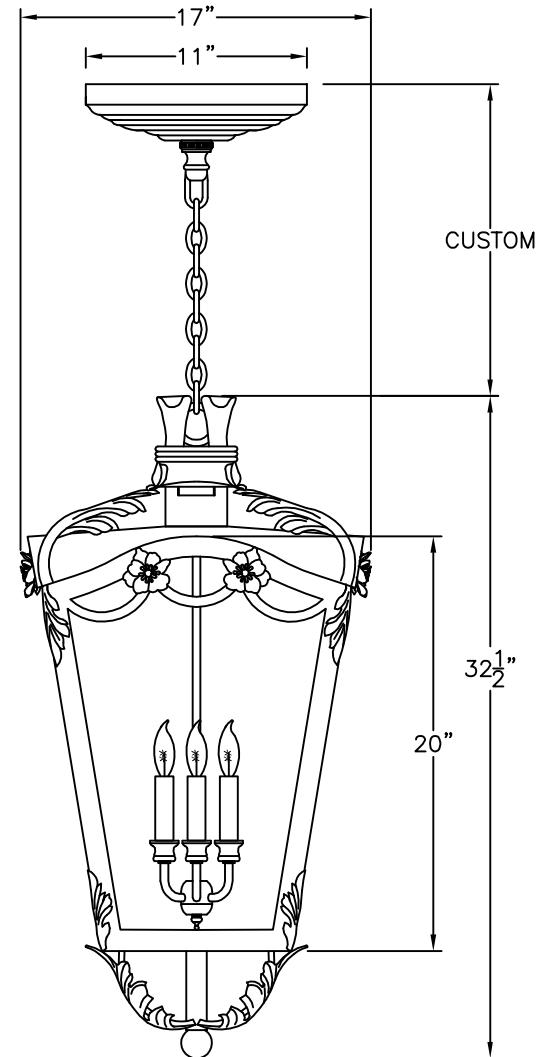
SMALL  
D-001-041  
9" W X 17 1/2" H



MEDIUM  
D-001-042  
12" W X 23 1/2" H



LARGE  
D-001-043  
14 1/2" W X 28" H



XLARGE  
D-001-044  
17" W X 32 1/2" H

**ONLY AVAILABLE  
IN ELECTRIC**

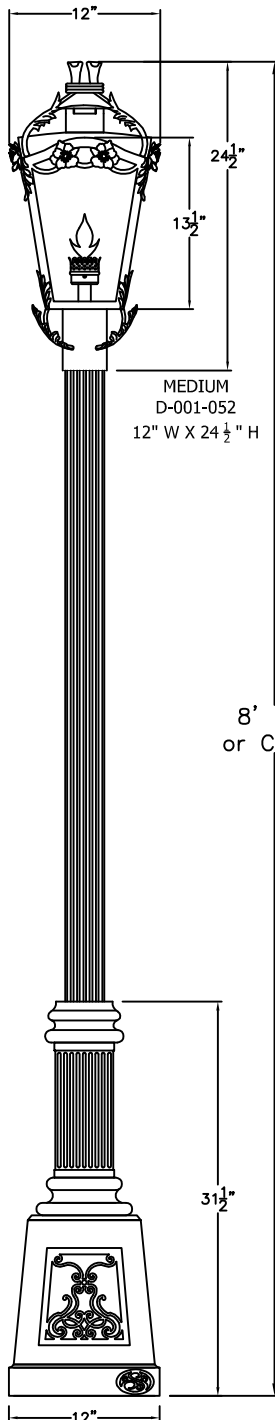
\* ACTUAL DIMENSIONS MAY VARY UP TO 1/2"

CUSTOM DRAWING CHANGES:

© 2010 SOLARA ENCHAINMENT  
UNAUTHORIZED USE OF THIS  
PLAN IS IN VIOLATION OF THE  
U.S. COPYRIGHT ACT TITLE 17  
OF THE U.S. CODE.



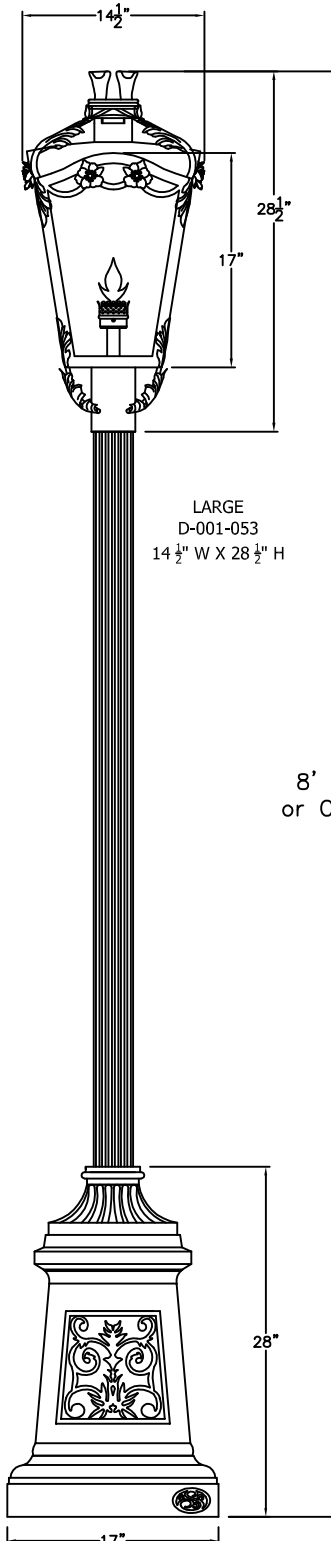
DESIGN:	NAPA
LINE:	PENDANT CHAIN
FILE:	D-001-04SET-EL-S100-2
DATE REV:	30-SEP-10



MEDIUM  
D-001-052  
12" W X 24 1/2" H

8' MIN  
or Custom

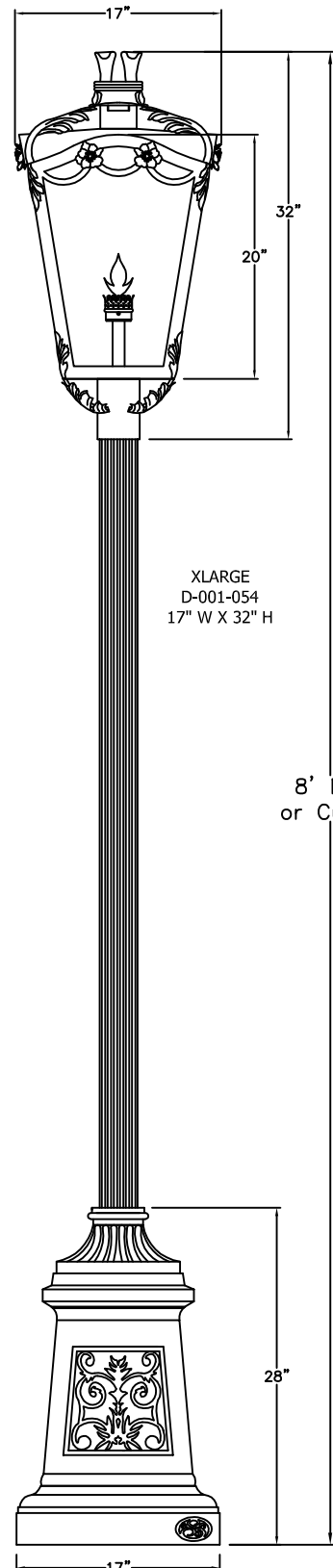
SOLARA BASE



LARGE  
D-001-053  
14 1/2" W X 28 1/2" H

8' MIN  
or Custom

MUNICH BASE



XLARGE  
D-001-054  
17" W X 32" H

8' MIN  
or Custom

AVAILABLE IN  
GAS & ELECTRIC  
WITH EXCEPTION  
OF SMALL SIZE

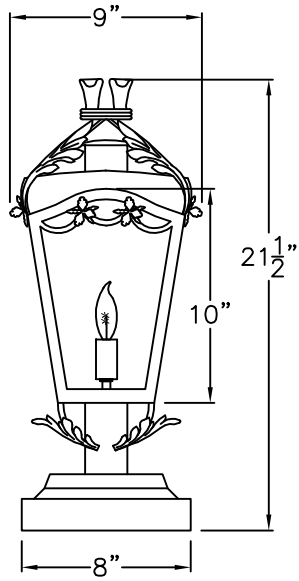
\* POST ARE SOLD SEPARATELY  
\* ACTUAL DIMENSIONS MAY VARY UP TO 1/2"

CUSTOM DRAWING CHANGES:

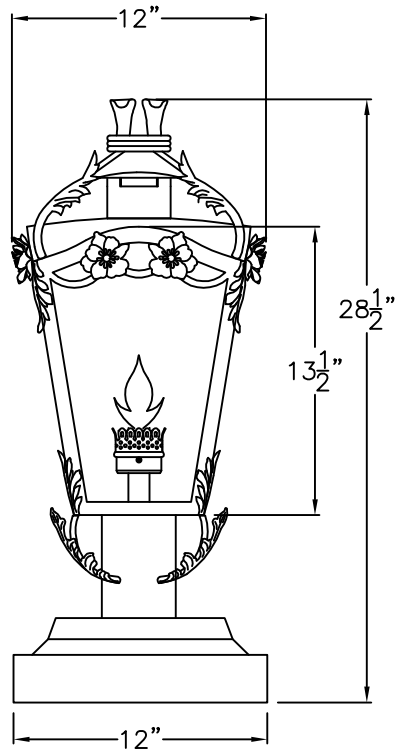
© 2010 SOLARA ENCHAINMENT  
UNAUTHORIZED USE OF THIS  
PLAN IS IN VIOLATION OF THE  
U.S. COPYRIGHT ACT TITLE 17  
OF THE U.S. CODE



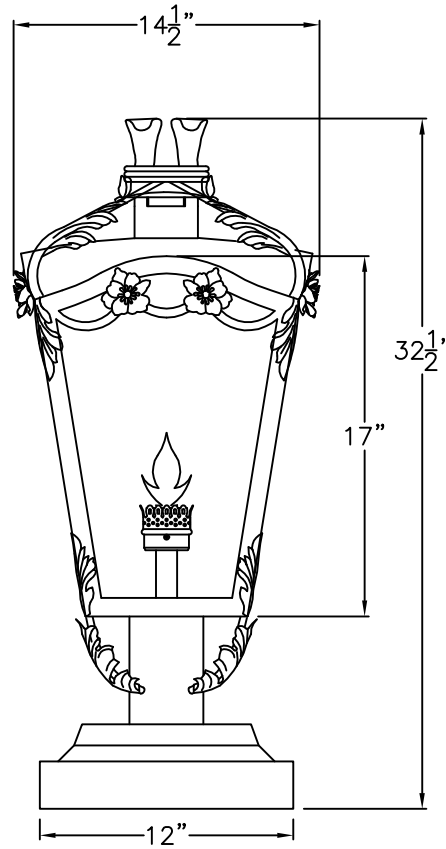
DESIGN: NAPA  
LINE: POST MOUNT  
FILE: D-001-05SET-EG-S100-1  
DATE REV: 30-SEP-10



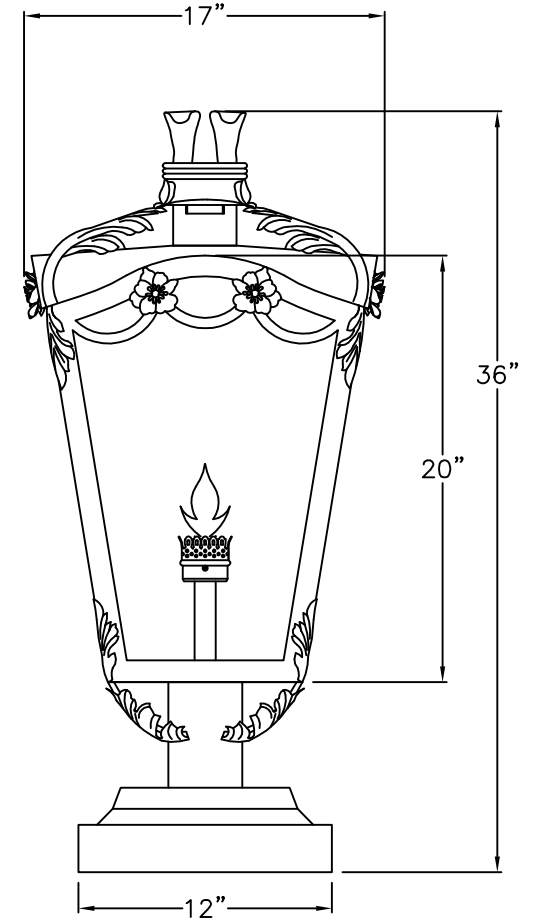
SMALL  
D-001-061  
9" W X 21 1/2" H



MEDIUM  
D-001-062  
12" W X 28 1/2" H



LARGE  
D-001-063  
14 1/2" W X 32 1/2" H



XLARGE  
D-001-064  
17" W X 36" H

AVAILABLE IN  
GAS & ELECTRIC  
WITH EXCEPTION  
OF SMALL SIZE

\* ACTUAL DIMENSIONS MAY VARY UP TO 1/2"

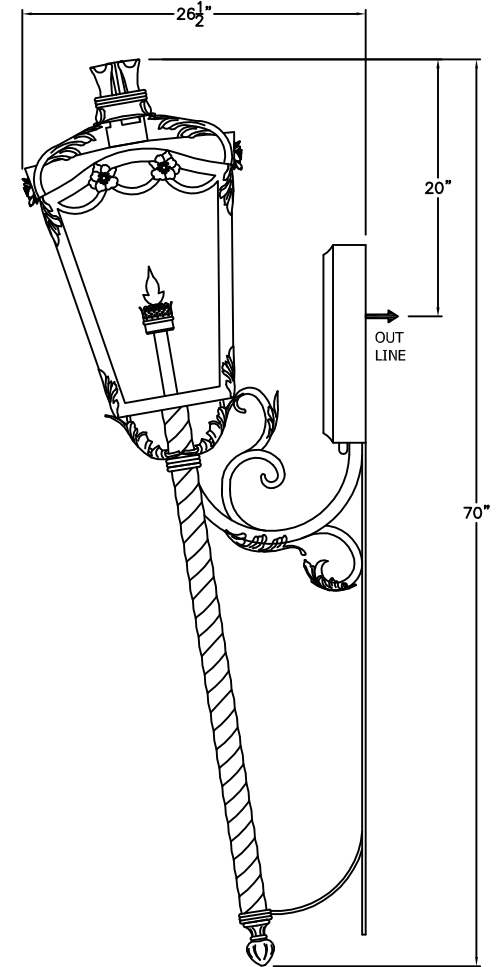
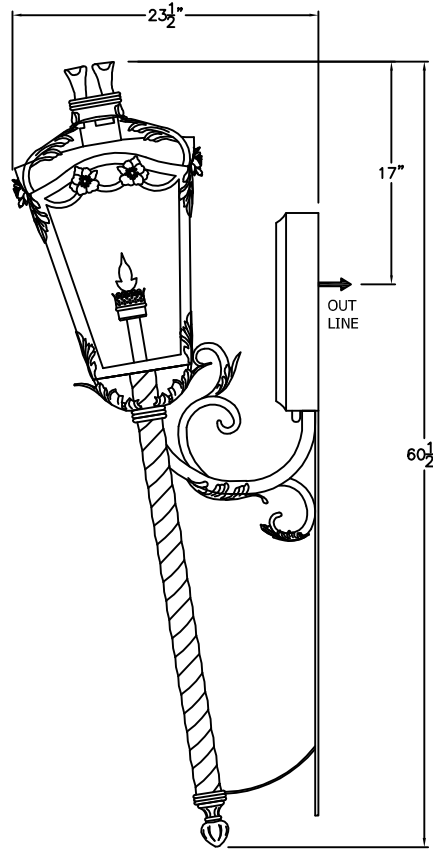
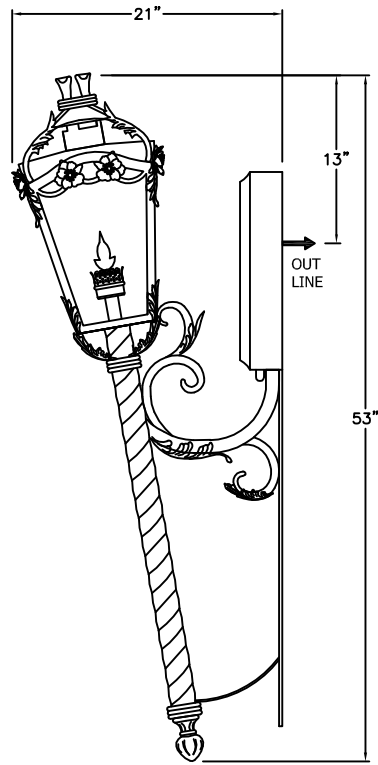
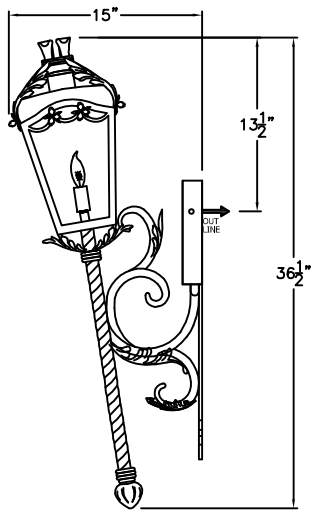
CUSTOM DRAWING CHANGES:

© 2010 SOLARA ENCHAINMENT  
UNAUTHORIZED USE OF THIS  
PLAN IS IN VIOLATION OF THE  
U.S. COPYRIGHT ACT TITLE 17  
OF THE U.S. CODE.



DESIGN:	NAPA
LINE:	PIER MOUNT
FILE:	D-001-06SET-EG-S100-2
DATE REV:	30-SEP-10





SMALL  
D-001-081  
9" W X 36 1/2" H X 15" D

MEDIUM  
D-001-082  
12" W X 53" H X 21" D

LARGE  
D-001-083  
14 1/2" W X 60 1/2" H X 23 1/2" D

XLARGE  
D-001-084  
17" W X 70" H X 26 1/2" D

AVAILABLE IN  
GAS & ELECTRIC  
WITH EXCEPTION  
OF SMALL SIZE

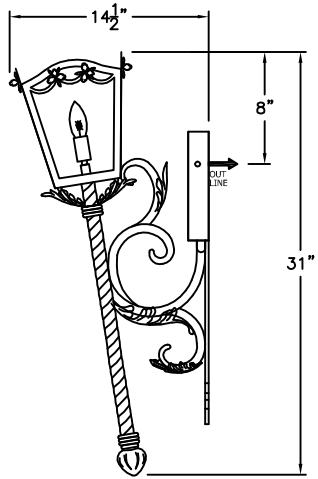
\* ACTUAL DIMENSIONS MAY VARY UP TO 1/2"

CUSTOM DRAWING CHANGES:

© 2010 SOLARA ENCHAINMENT  
UNAUTHORIZED USE OF THIS  
PLAN IS IN VIOLATION OF THE  
U.S. COPYRIGHT ACT TITLE 17  
OF THE U.S. CODE.

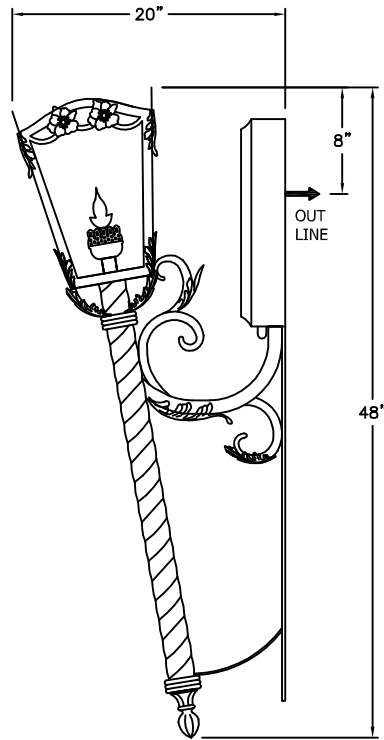


DESIGN:	NAPA
LINE:	TORCH MOUNT
FILE:	D-001-08SET-EG-S100-2
DATE REV:	30-SEP-10



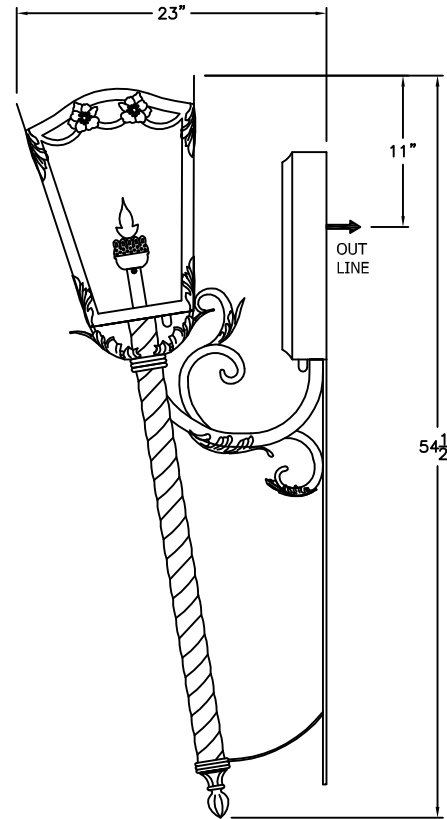
SMALL  
D-001-091

9" W X 31 " H X 14 1/2" D



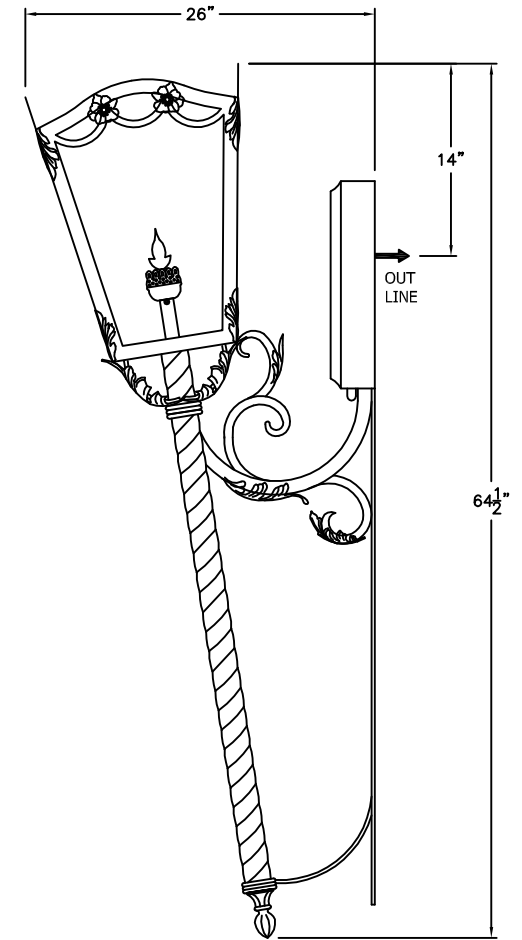
MEDIUM  
D-001-092

12" W X 48 " H X 20" D



LARGE  
D-001-093

14 1/2" W X 54 1/2" H X 23" D



XLARGE  
D-001-094

17" W X 64 1/2" H X 26" D

AVAILABLE IN  
GAS & ELECTRIC  
WITH EXCEPTION  
OF SMALL SIZE

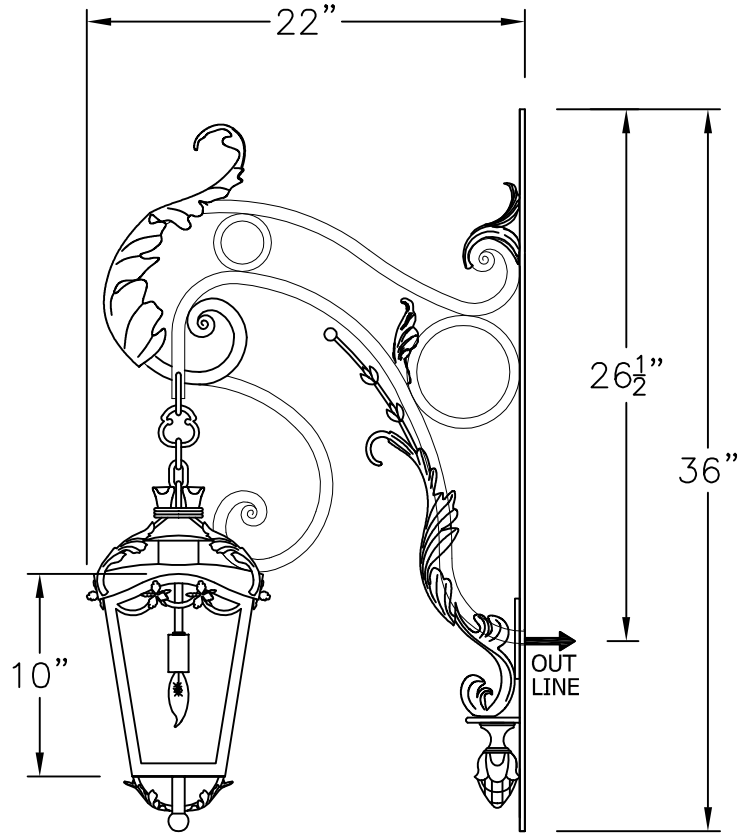
\* ACTUAL DIMENSIONS MAY VARY UP TO 1/2"

CUSTOM DRAWING CHANGES:

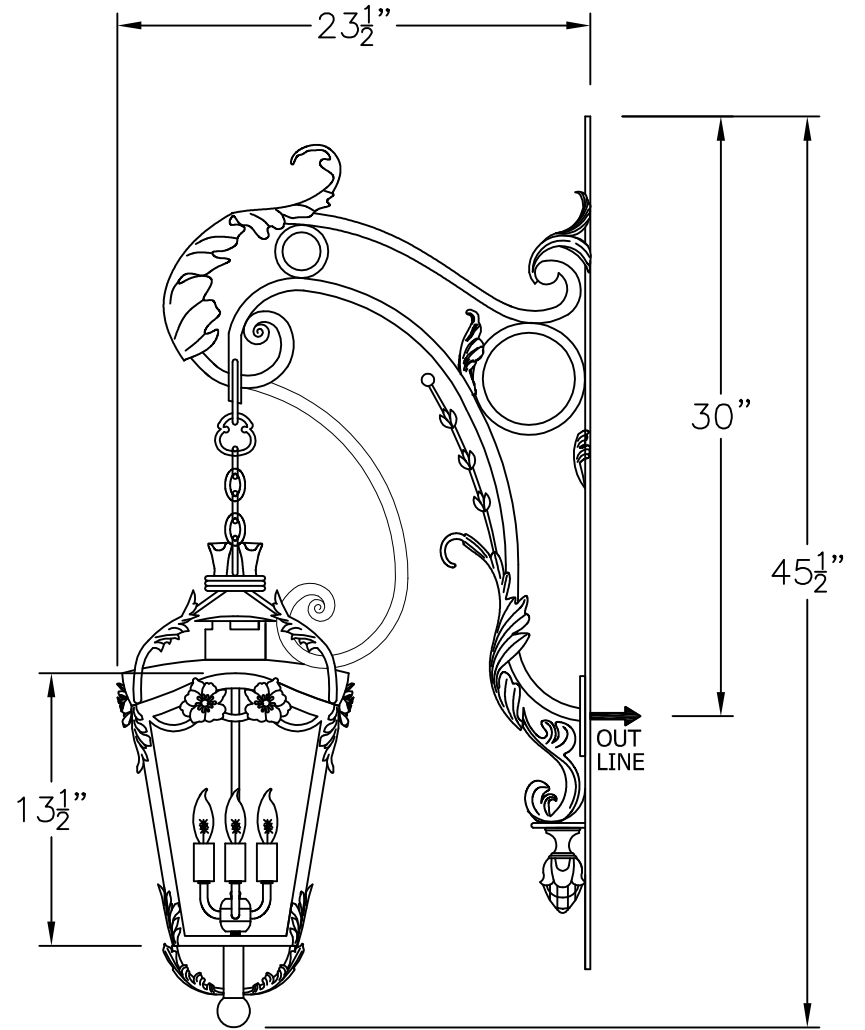
© 2010 SOLARA ENCHAINMENT  
UNAUTHORIZED USE OF THIS  
PLAN IS IN VIOLATION OF THE  
U.S. COPYRIGHT ACT TITLE 17  
OF THE U.S. CODE.



DESIGN:	NAPA
LINE:	TORCH MOUNT
FILE:	D-001-09SET-EG-S100-2
DATE REV:	30-SEP-10



SMALL  
D-001-101  
9" W X 36" H X 22" D



MEDIUM  
D-001-102  
12" W X 45 1/2" H X 23 1/2" D

ONLY AVAILABLE  
IN ELECTRIC

\* ACTUAL DIMENSIONS MAY VARY UP TO 1/2"

CUSTOM DRAWING CHANGES:

© 2010 SOLARA ENCHAINMENT  
UNAUTHORIZED USE OF THIS  
PLAN IS IN VIOLATION OF THE  
U.S. COPYRIGHT ACT TITLE 17  
OF THE U.S. CODE.



DESIGN:	NAPA
LINE:	HANGING MOUNT
FILE:	D-001-10SET-EL-S100-3
DATE REV:	30-NOV-10