



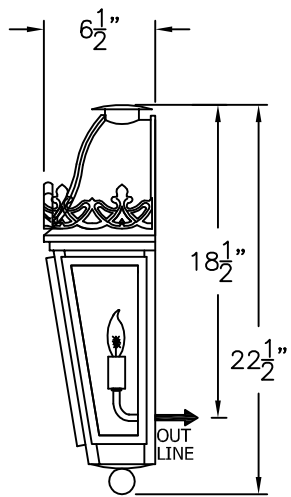
SOLARA

Iron Doors & Lighting

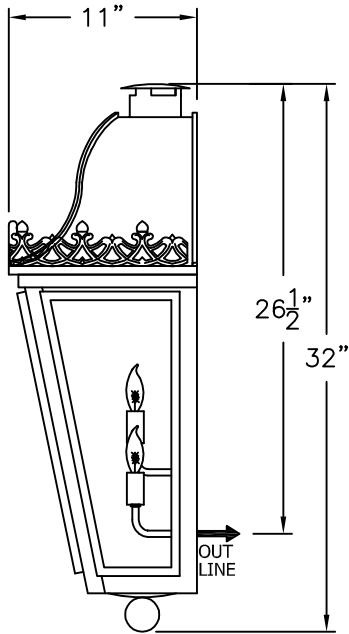


Opryland I - E002

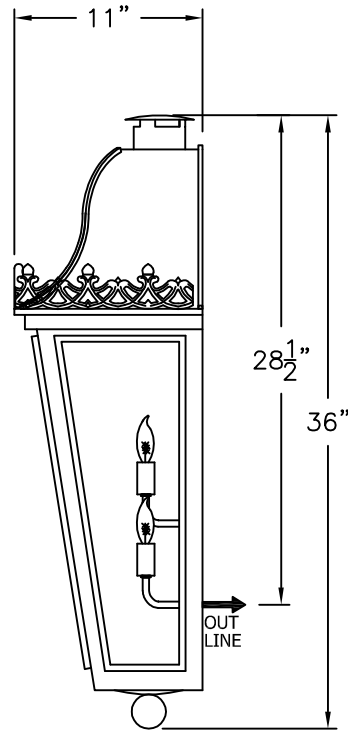




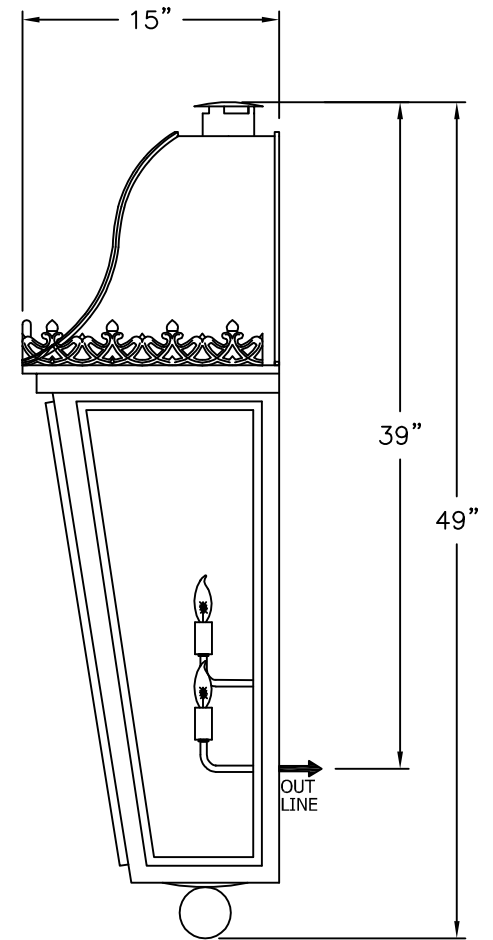
SMALL
E-002-001
9" W X 22 1/2" H X 6 1/2" D



MEDIUM
E-002-002
15 1/2" W X 32" H X 11" D



LARGE
E-002-003
15 1/2" W X 36" H X 11" D



XLARGE
E-002-004
21" W X 49" H X 15" D

ONLY AVAILABLE
IN ELECTRIC

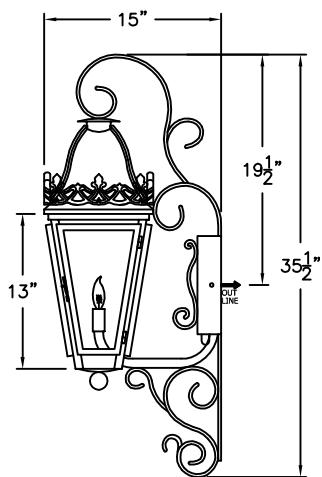
* ACTUAL DIMENSIONS MAY VARY UP TO 1/2"

CUSTOM DRAWING CHANGES:

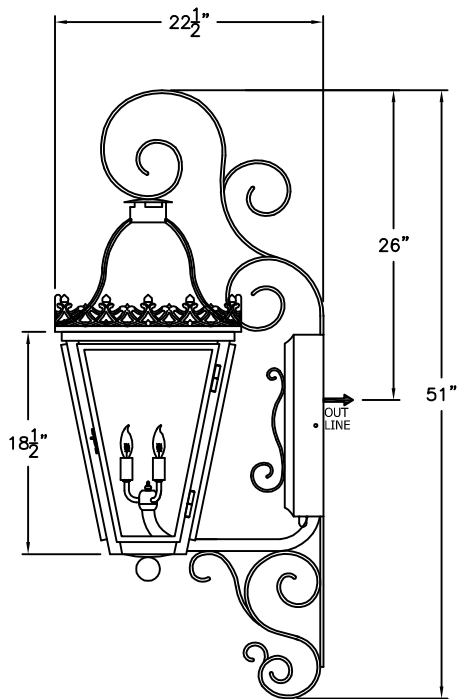
© 2010 SOLARA ENCHAINMENT
UNAUTHORIZED USE OF THIS
PLAN IS IN VIOLATION OF THE
U.S. COPYRIGHT ACT TITLE 17
OF THE U.S. CODE.



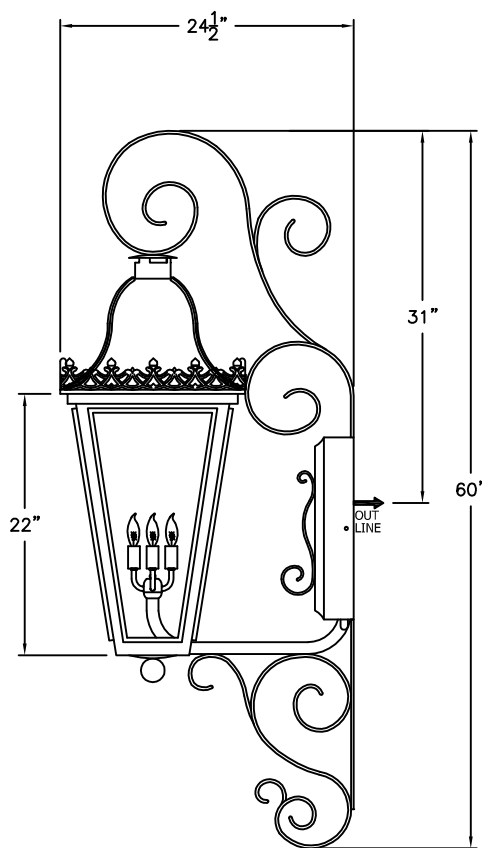
DESIGN:	OPRYLAND I
LINE:	SCONCE MOUNT
FILE:	E-002-00SET-EL-S100-1
DATE REV:	30-SEP-10



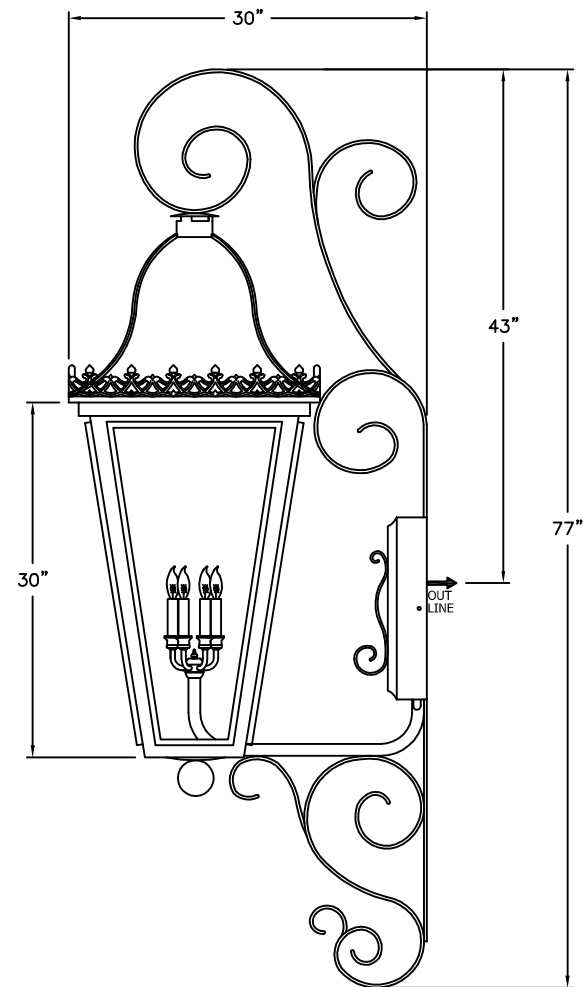
SMALL
E-002-011
9" W X 35 1/2" H X 15" D



MEDIUM
E-002-012
15 1/2" W X 51" H X 22 1/2" D



LARGE
E-002-013
15 1/2" W X 60" H X 24 1/2" D



XLARGE
E-002-014
21" W X 77" H X 30" D

AVAILABLE IN
GAS & ELECTRIC

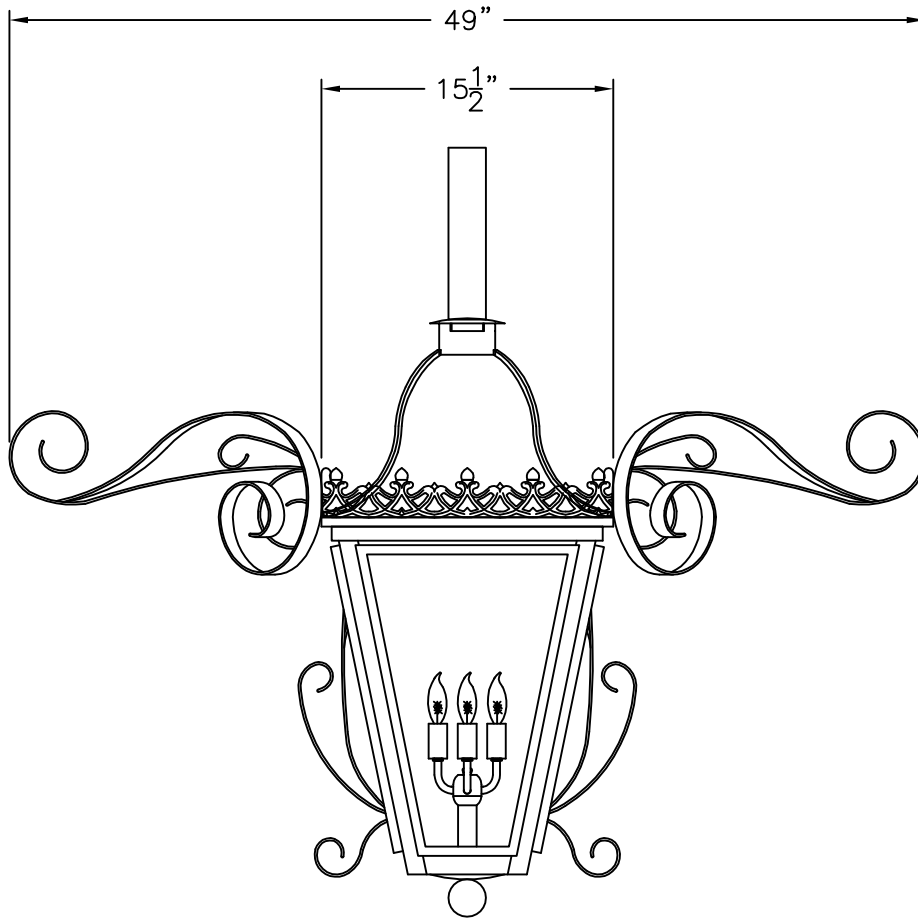
* ACTUAL DIMENSIONS MAY VARY UP TO 1/2"

CUSTOM DRAWING CHANGES:

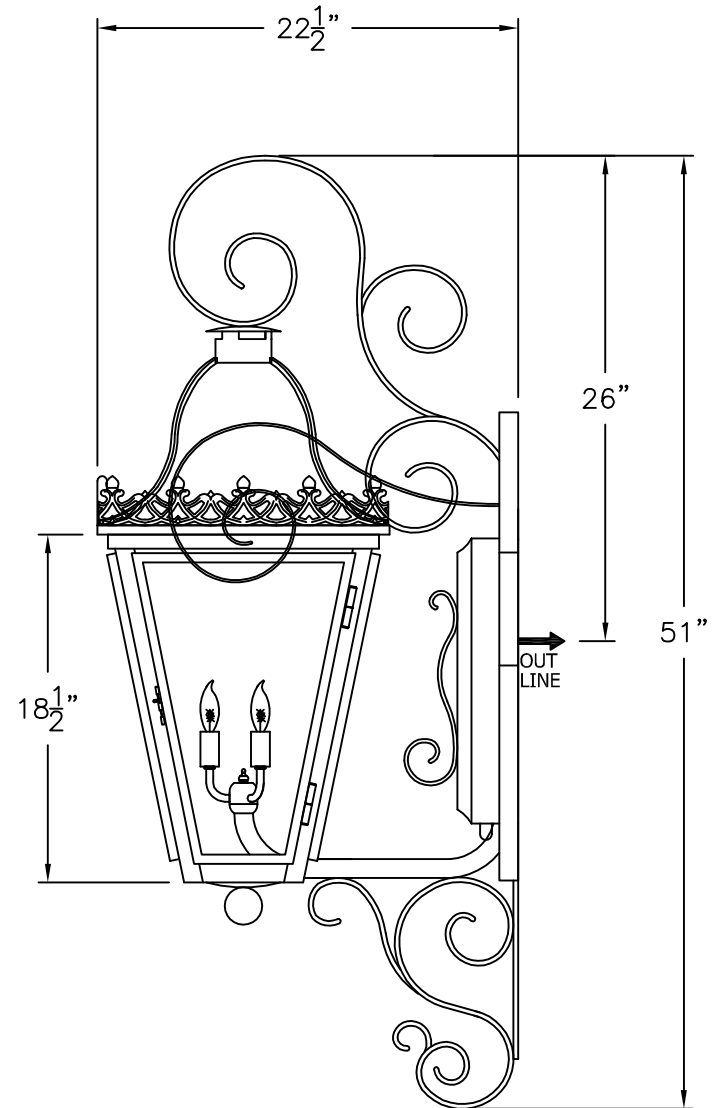
© 2010 SOLARA ENCHAINMENT
UNAUTHORIZED USE OF THIS
PLAN IS IN VIOLATION OF THE
U.S. COPYRIGHT ACT TITLE 17
OF THE U.S. CODE.



DESIGN:	OPRYLAND I
LINE:	WALL MOUNT
FILE:	E-002-01SET-EL-S100-4
DATE REV:	30-SEP-10



FRONT VIEW



SIDE VIEW

MEDIUM
E-002-022
49" W X 51" H X 22 1/2" D

AVAILABLE IN
GAS & ELECTRIC

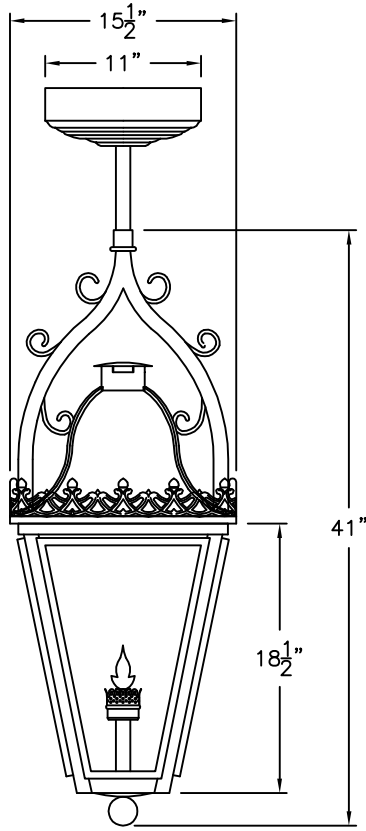
* ACTUAL DIMENSIONS MAY VARY UP TO 1/2"

CUSTOM DRAWING CHANGES:

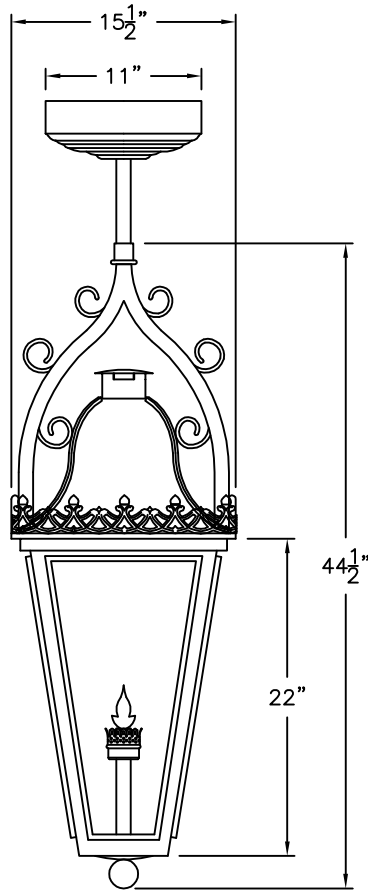
© 2010 SOLARA ENCHAINMENT
UNAUTHORIZED USE OF THIS
PLAN IS IN VIOLATION OF THE
U.S. COPYRIGHT ACT TITLE 17
OF THE U.S. CODE.



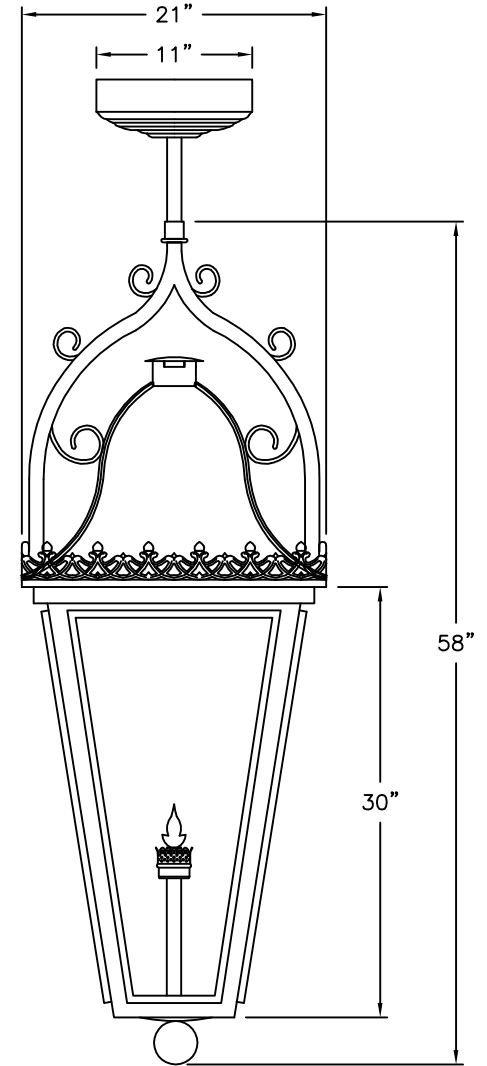
DESIGN:	OPRYLAND I
LINE:	CENTRAL MOUNT
FILE:	E-002-022-EL-S100-3
DATE REV:	29-SEP-10



MEDIUM
E-002-032
15 1/2" W X 41" H



LARGE
E-002-033
15 1/2" W X 44 1/2" H



XLARGE
E-002-034
21" W X 58" H

AVAILABLE IN
GAS & ELECTRIC
WITH EXCEPTION
OF SMALL SIZE

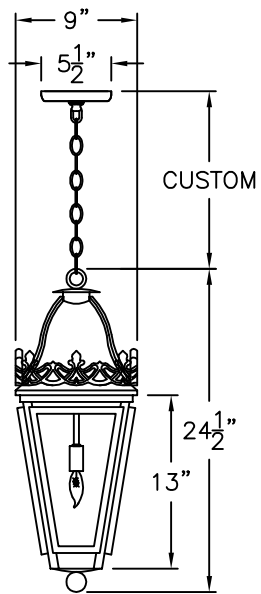
* ACTUAL DIMENSIONS MAY VARY UP TO 1/2"

CUSTOM DRAWING CHANGES:

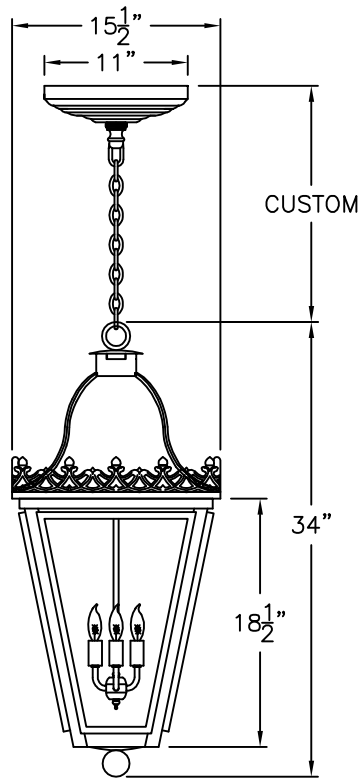
© 2010 SOLARA ENCHAINMENT
UNAUTHORIZED USE OF THIS
PLAN IS IN VIOLATION OF THE
U.S. COPYRIGHT ACT TITLE 17
OF THE U.S. CODE.



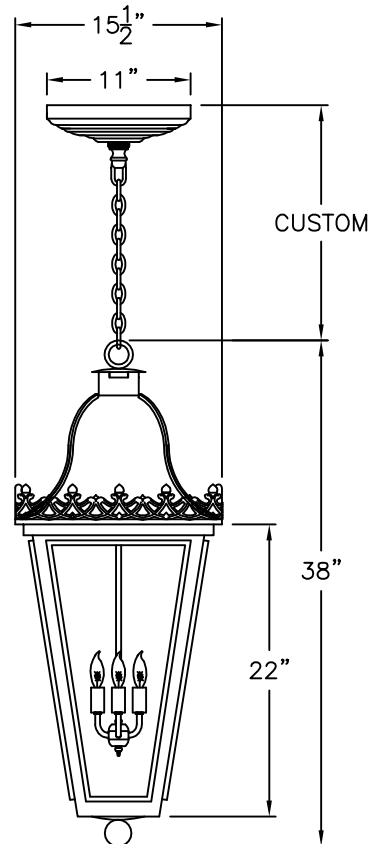
DESIGN:	OPRYLAND I
LINE:	PENDANT STEM
FILE:	E-002-03SET-EG-S100-3
DATE REV:	30-SEP-10



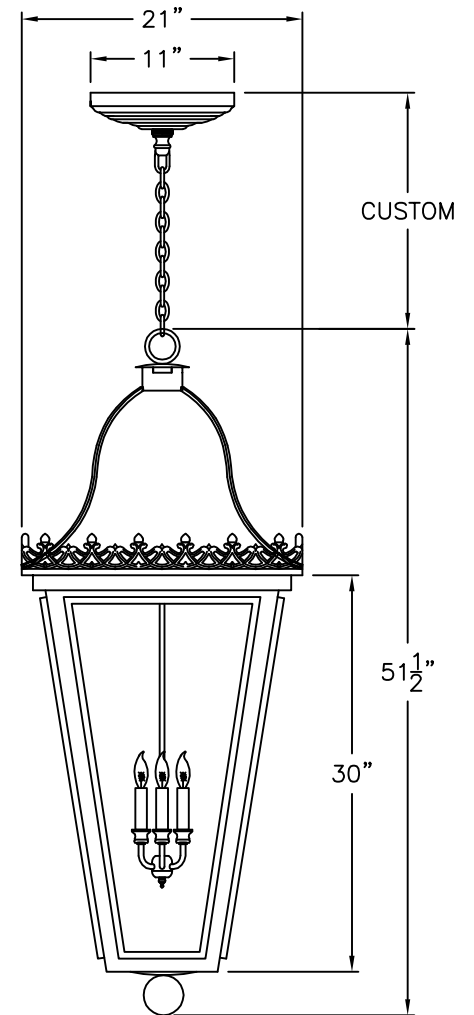
SMALL
E-002-041
9" W X 24 1/2" H



MEDIUM
E-002-042
15 1/2" W X 34" H



LARGE
E-002-043
15 1/2" W X 38" H



XLARGE
E-002-044
21" W X 51 1/2" H

ONLY AVAILABLE
IN ELECTRIC

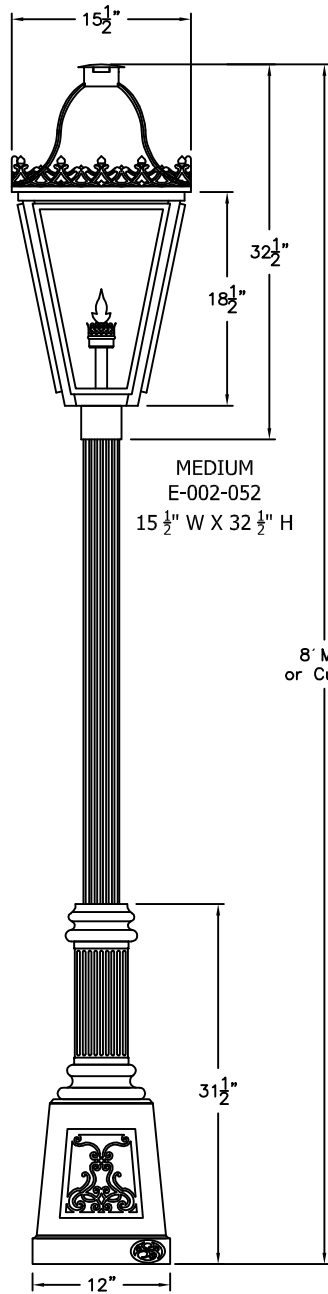
* ACTUAL DIMENSIONS MAY VARY UP TO 1/2"

CUSTOM DRAWING CHANGES:

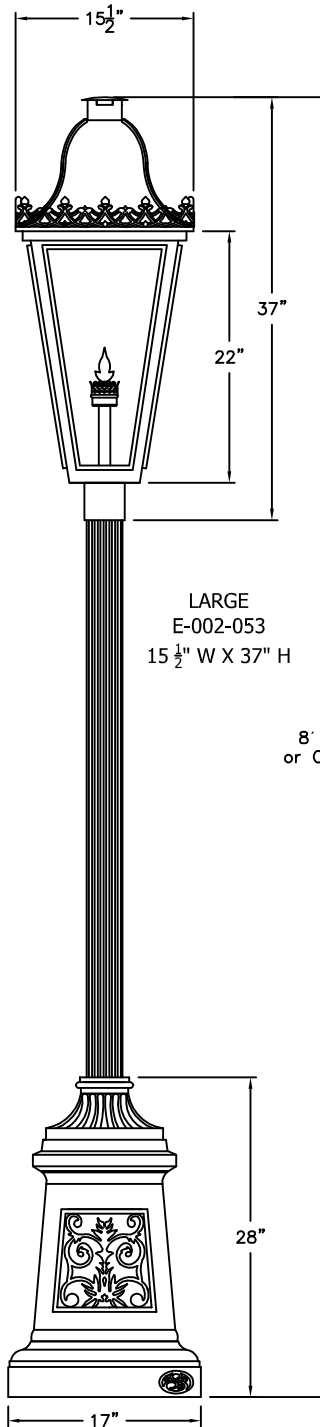
© 2010 SOLARA ENCHAINMENT
UNAUTHORIZED USE OF THIS
PLAN IS IN VIOLATION OF THE
U.S. COPYRIGHT ACT TITLE 17
OF THE U.S. CODE.



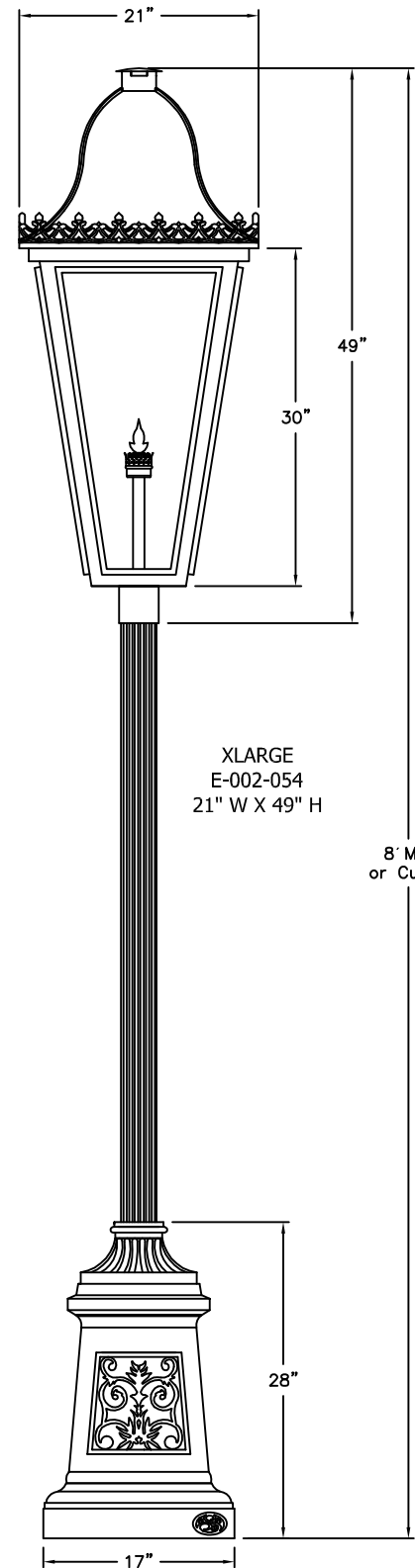
DESIGN:	OPRYLAND I
LINE:	PENDANT CHAIN
FILE:	E-002-04SET-EL-S100-1
DATE REV :	30-SEP-10



MEDIUM
E-002-052
15 1/2" W X 32 1/2" H



LARGE
E-002-053
15 1/2" W X 37" H



XLARGE
E-002-054
21" W X 49" H

8' MIN
or Custom

8' MIN
or Custom

8' MIN
or Custom

SOLARA BASE

MUNICH BASE

AVAILABLE IN
GAS & ELECTRIC
WITH EXCEPTION
OF SMALL SIZE

* POST ARE SOLD SEPARATELY
* ACTUAL DIMENSIONS MAY VARY UP TO 1/2"

CUSTOM DRAWING CHANGES:

© 2010 SOLARA ENCHAINMENT
UNAUTHORIZED USE OF THIS
PLAN IS IN VIOLATION OF THE
U.S. COPYRIGHT ACT TITLE 17
OF THE U.S. CODE

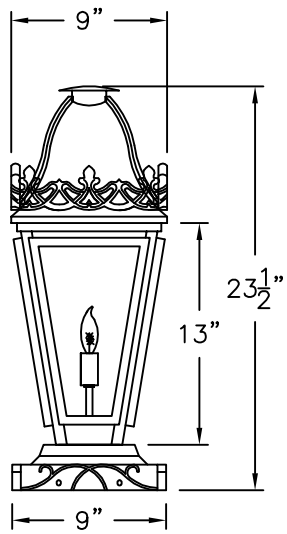


DESIGN: OPRYLAND I

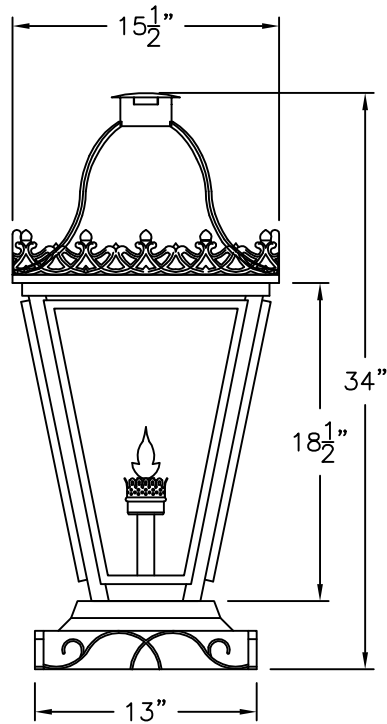
LINE: POST MOUNT

FILE: E-002-05SET-EG-S100-1

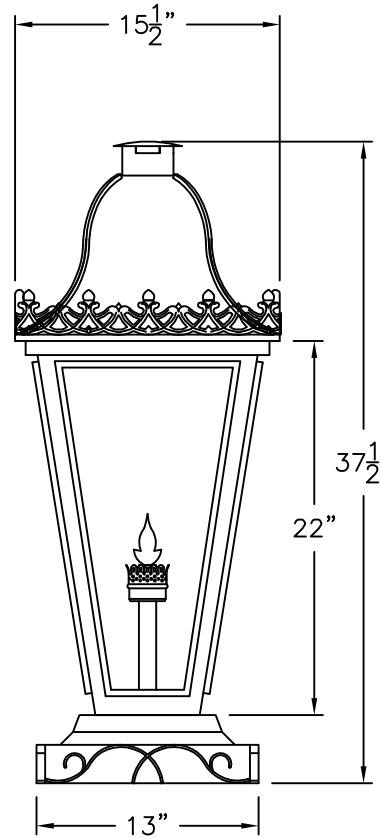
DATE REV: 30-SEP-10



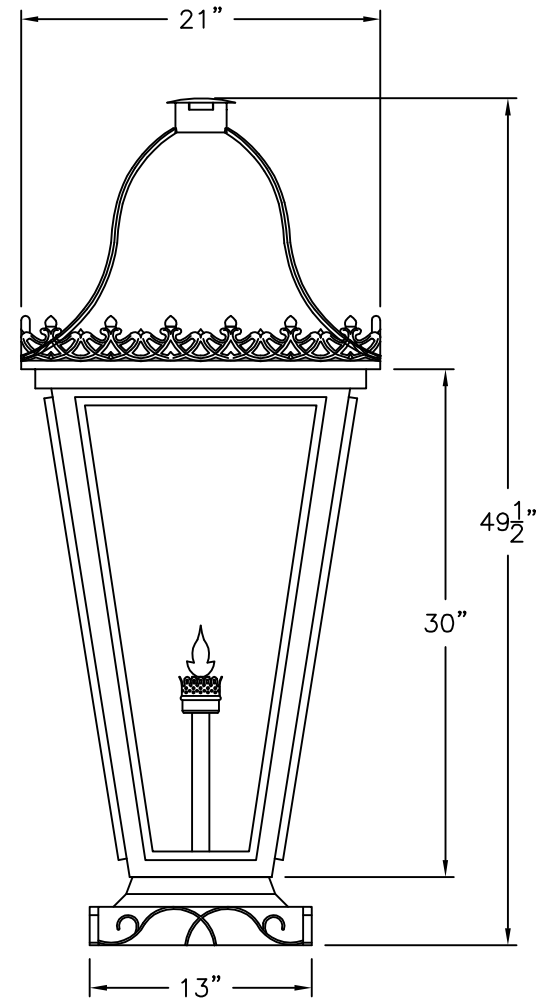
SMALL
E-002-061
9" W X 23 1/2" H



MEDIUM
E-002-062
15 1/2" W X 34" H



LARGE
E-002-063
15 1/2" W X 37 1/2" H



XLARGE
E-002-064
21" W X 49 1/2" H

AVAILABLE IN
GAS & ELECTRIC

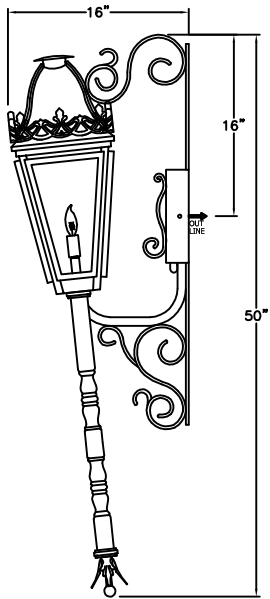
* ACTUAL DIMENSIONS MAY VARY UP TO 1/2"

CUSTOM DRAWING CHANGES:

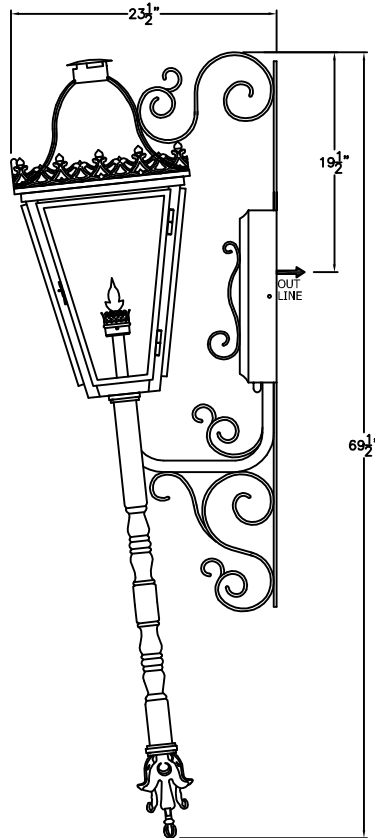
© 2010 SOLARA ENCHAINMENT
UNAUTHORIZED USE OF THIS
PLAN IS IN VIOLATION OF THE
U.S. COPYRIGHT ACT TITLE 17
OF THE U.S. CODE.



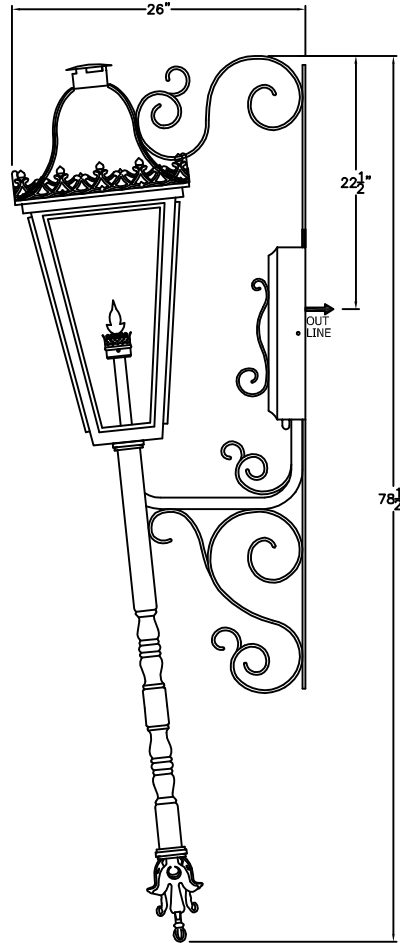
DESIGN:	OPRYLAND I
LINE:	PIER MOUNT
FILE:	E-002-06SET-EG-S100-3
DATE REV:	30-SEP-10



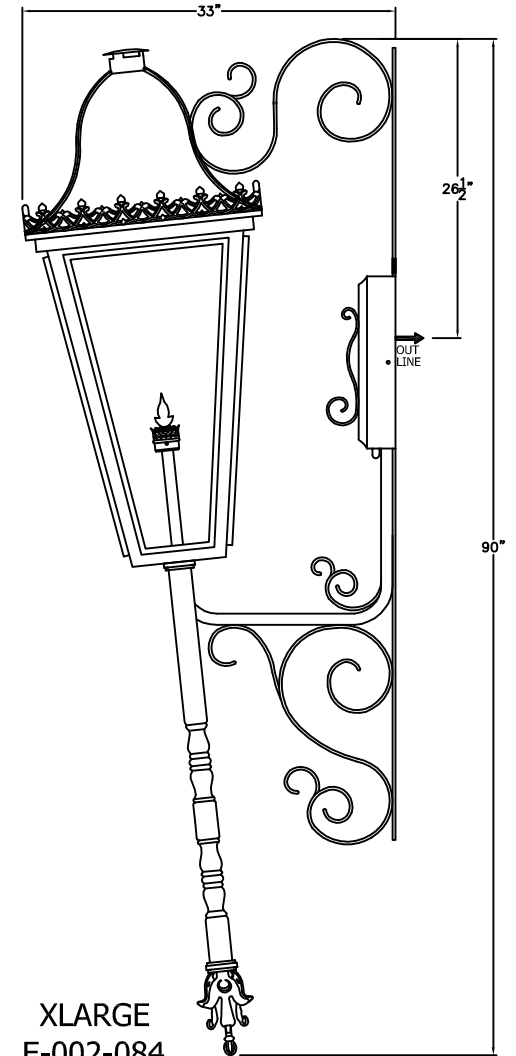
SMALL
E-002-081
9" W X 50" H X 16" D



MEDIUM
E-002-082
15 1/2" W X 69 1/2" H X 23 1/2" D



LARGE
E-002-083
15 1/2" W X 78 1/2" H X 26" D



XLARGE
E-002-084
21" W X 90" H X 33" D

AVAILABLE IN
GAS & ELECTRIC
WITH EXCEPTION
OF SMALL SIZE

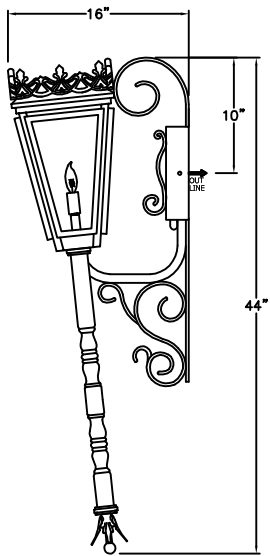
* ACTUAL DIMENSIONS MAY VARY UP TO 1/2"

CUSTOM DRAWING CHANGES:

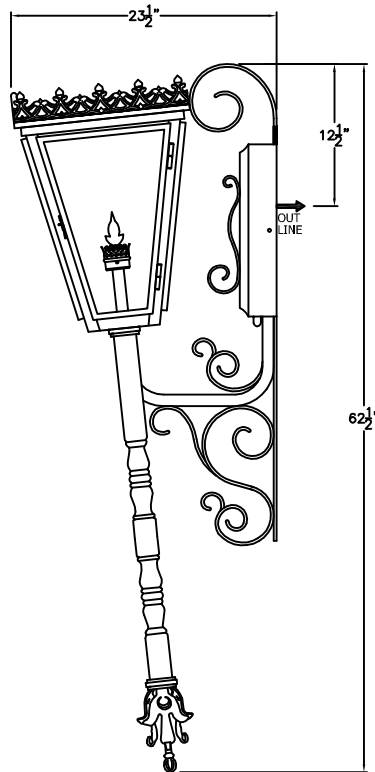
© 2011 SOLARA ENCHAINMENT
UNAUTHORIZED USE OF THIS
PLAN IS IN VIOLATION OF THE
U.S. COPYRIGHT ACT TITLE 17
OF THE U.S. CODE.



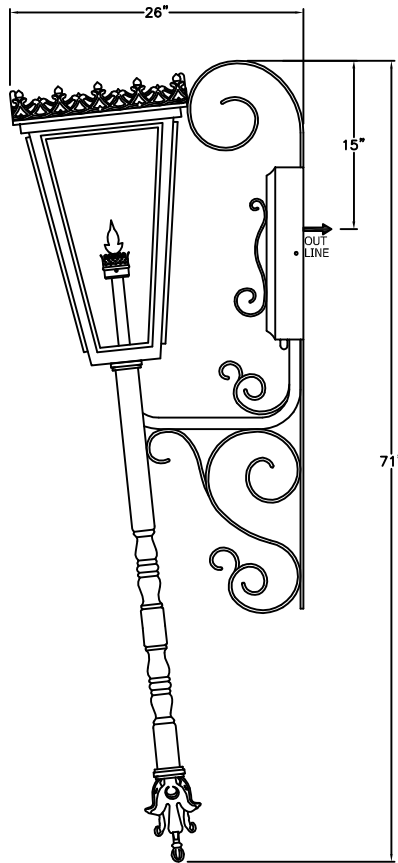
DESIGN:	OPRYLAND I
LINE:	TORCH MOUNT
FILE:	E-002-08SET-EG-S100-1
DATE REV:	21-FEB-11



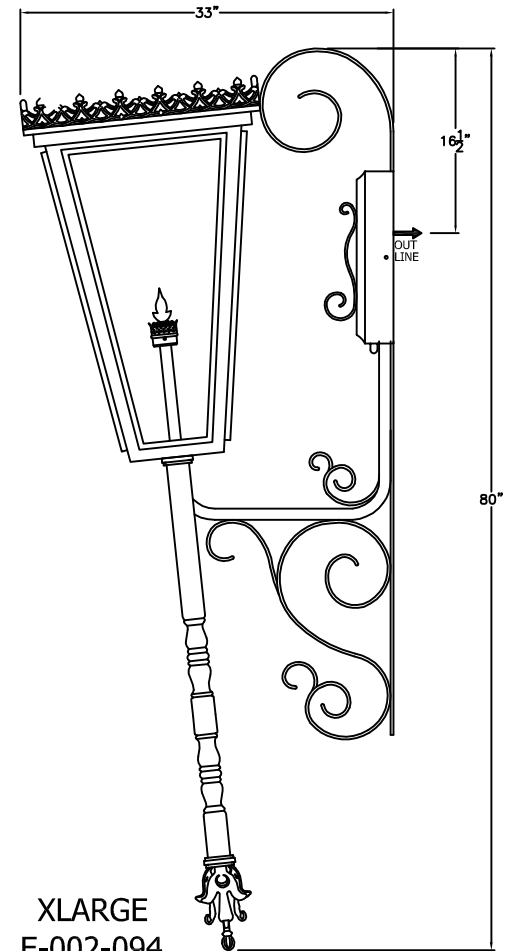
SMALL
E-002-091
9" W X 44" H X 16" D



MEDIUM
E-002-092
15 1/2" W X 62 1/2" H X 23 1/2" D



LARGE
E-002-093
15 1/2" W X 71" H X 26" D



XLARGE
E-002-094
21" W X 80" H X 33" D

AVAILABLE IN
GAS & ELECTRIC
WITH EXCEPTION
OF SMALL SIZE

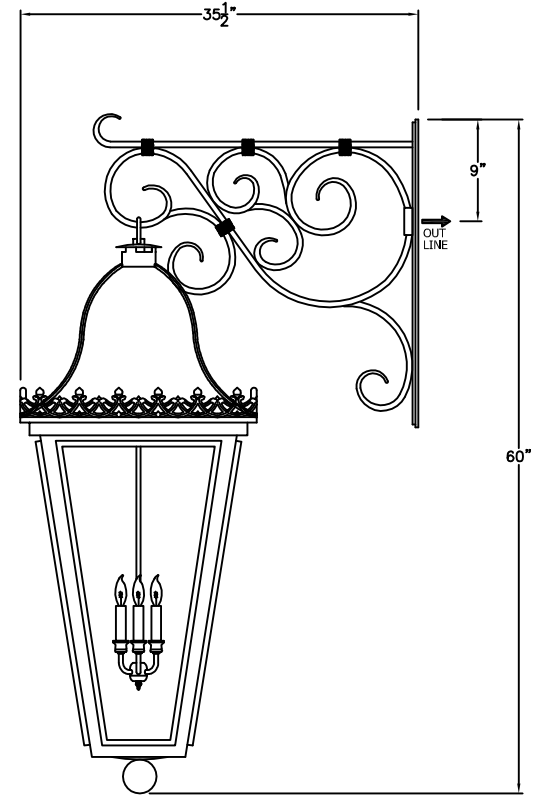
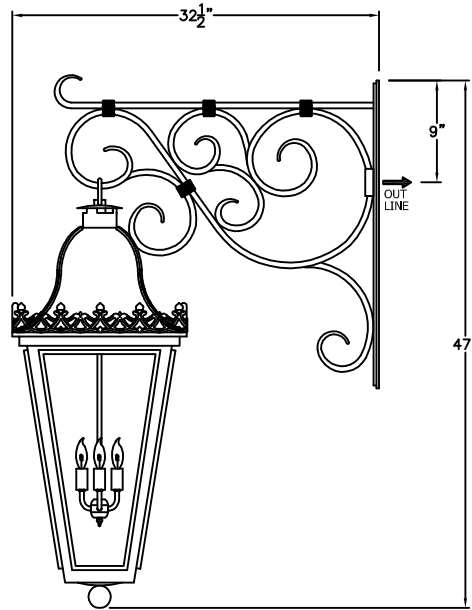
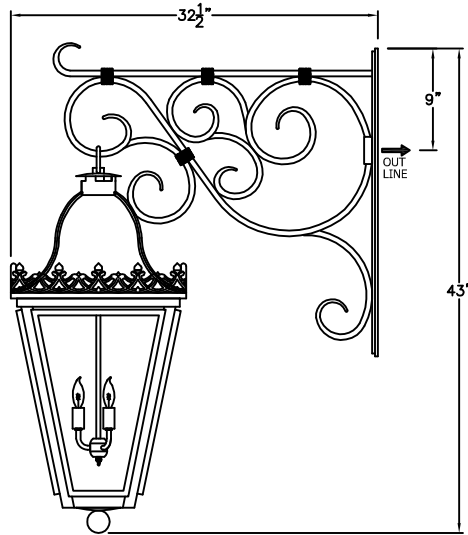
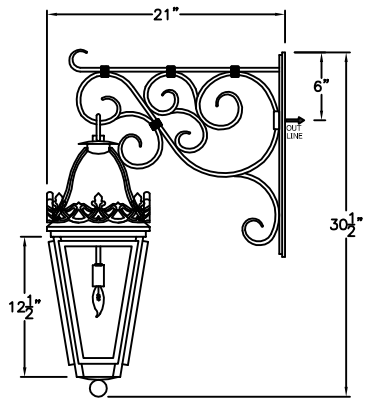
* ACTUAL DIMENSIONS MAY VARY UP TO 1/2"

CUSTOM DRAWING CHANGES:

© 2011 SOLARA ENCHAINMENT
UNAUTHORIZED USE OF THIS
PLAN IS IN VIOLATION OF THE
U.S. COPYRIGHT ACT TITLE 17
OF THE U.S. CODE.



DESIGN:	OPRYLAND I
LINE:	TORCH MOUNT
FILE:	E-002-09SET-EG-S100-1
DATE REV:	21-FEB-11



SMALL
E-002-101

9" W X 30 $\frac{1}{2}$ " H X 21" D

MEDIUM
E-002-102

15 $\frac{1}{2}$ " W X 43" H X 32 $\frac{1}{2}$ " D

LARGE
E-002-103

15 $\frac{1}{2}$ " W X 47" H X 32 $\frac{1}{2}$ " D

XLARGE
E-002-104

21" W X 60" H X 35 $\frac{1}{2}$ " D

ONLY AVAILABLE
IN ELECTRIC

* ACTUAL DIMENSIONS MAY VARY UP TO 1/2"

CUSTOM DRAWING CHANGES:

© 2011 SOLARA ENCHAINMENT
UNAUTHORIZED USE OF THIS
PLAN IS IN VIOLATION OF THE
U.S. COPYRIGHT ACT TITLE 17
OF THE U.S. CODE.



DESIGN:	OPRYLAND I
LINE:	HANGING MOUNT
FILE:	E-002-10SET-EL-S100-2
DATE REV:	22-FEB-11