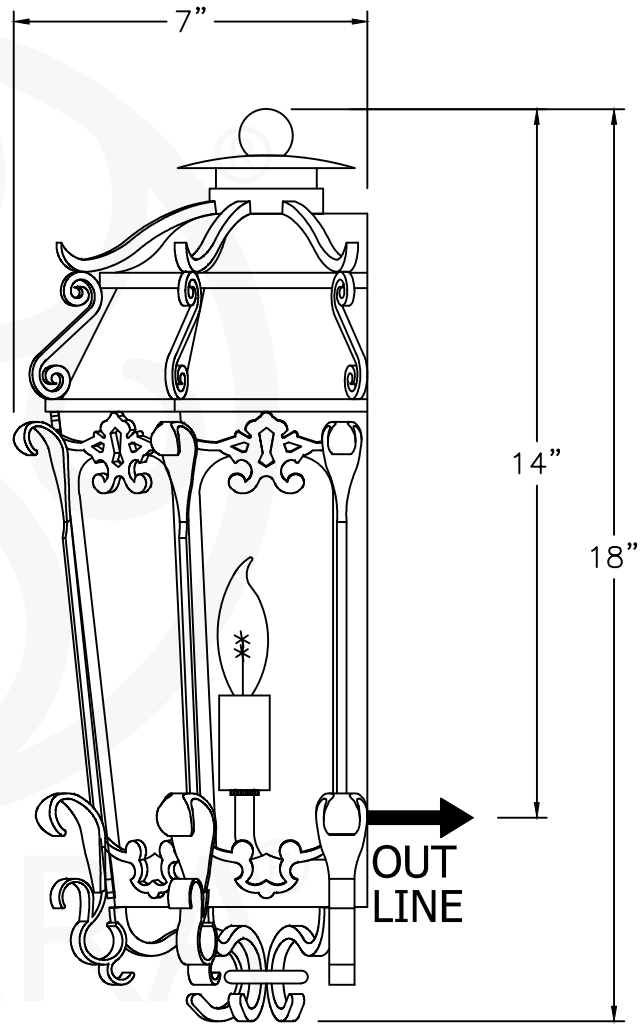


FRONT VIEW



SIDE VIEW

SMALL  
 F-014-001  
 10" W X 18" H X 7" D

ONLY AVAILABLE  
 IN ELECTRIC

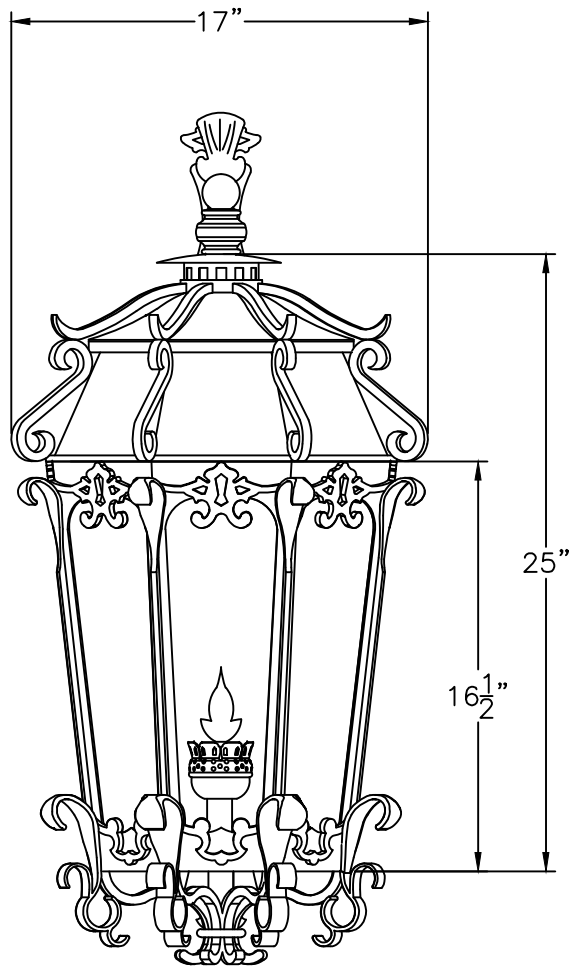
\* ACTUAL DIMENSIONS MAY VARY UP TO 1/2"

CUSTOM DRAWING CHANGES:

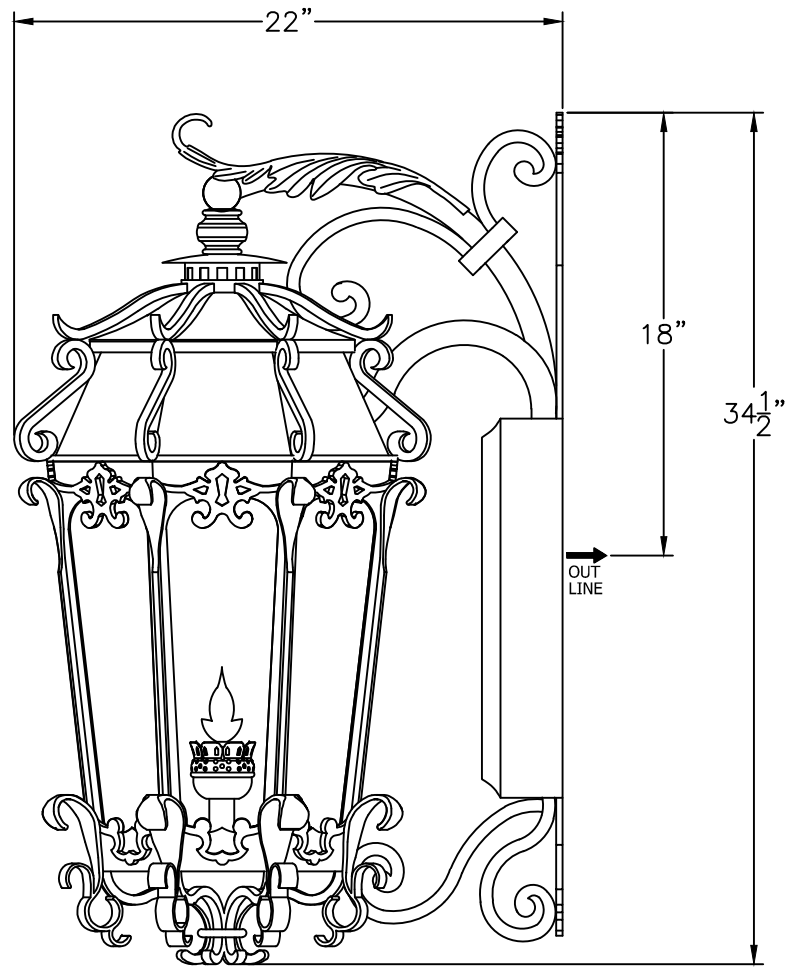
© 2014 SOLARA ENCHAINMENT  
 UNAUTHORIZED USE OF THIS  
 PLAN IS IN VIOLATION OF THE  
 U.S. COPYRIGHT ACT TITLE 17  
 OF THE U.S. CODE.



DESIGN:	PALERMO
LINE:	SCONCE MOUNT
FILE:	F-014-001-EL-S100-1
DATE REV:	02-SEP-14



FRONT VIEW



SIDE VIEW

LARGE  
 F-014-013  
 17" W X 34 $\frac{1}{2}$ " H X 22" D

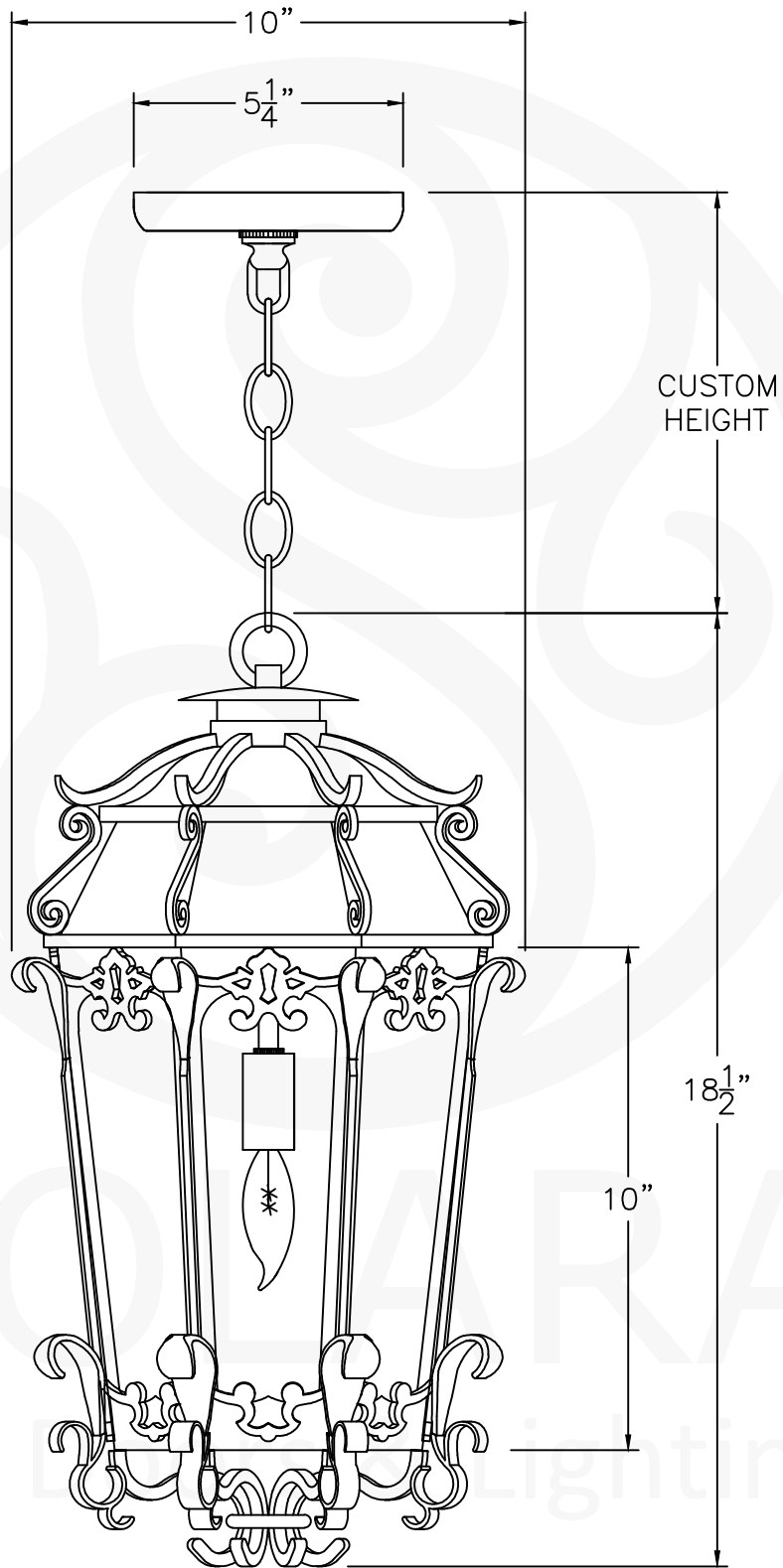
AVAILABLE IN  
 GAS & ELECTRIC  
 WITH EXCEPTION  
 OF SMALL SIZE

CUSTOM DRAWING CHANGES:

© 2013 SOLARA ENCHAINMENT  
 UNAUTHORIZED USE OF THIS  
 PLAN IS IN VIOLATION OF THE  
 U.S. COPYRIGHT ACT TITLE 17  
 OF THE U.S. CODE.



DESIGN:	PALERMO
LINE:	WALL MOUNT
FILE:	F-014-013-EG-S100-1
DATE REV:	28-OCT-13




®

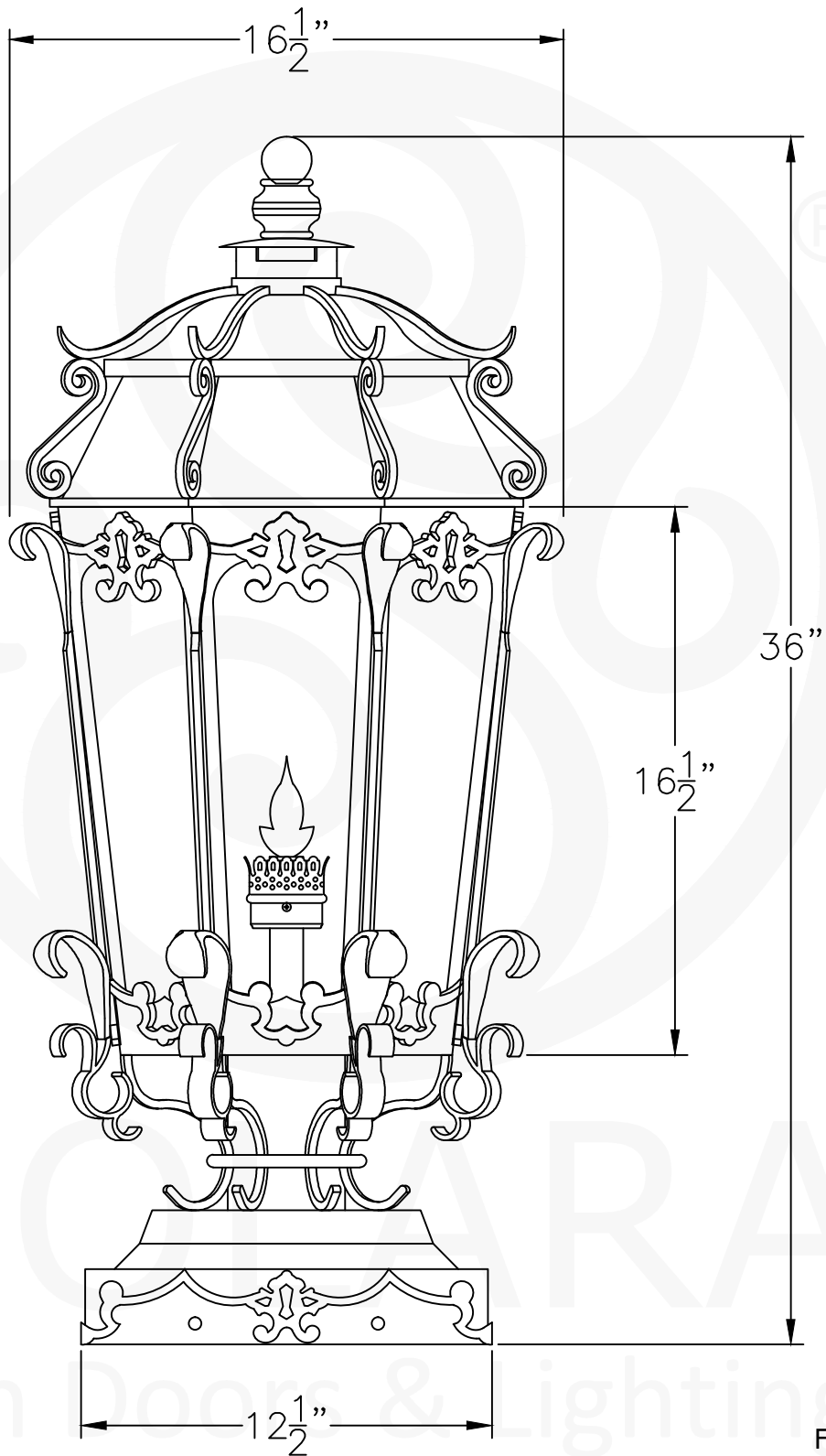
SOLARA®  
Iron Doors & Lighting

SMALL  
F-014-041  
10" W X 18 $\frac{1}{2}$ " H

\* ACTUAL DIMENSIONS MAY VARY UP TO 1/2"

ONLY AVAILABLE  
IN ELECTRIC

CUSTOM DRAWING CHANGES:	© 2014 SOLARA ENCHAINMENT UNAUTHORIZED USE OF THIS PLAN IS IN VIOLATION OF THE U.S. COPYRIGHT ACT TITLE 17 OF THE U.S. CODE.	 <b>SOLARA</b> Iron Doors & Lighting	DESIGN: PALERMO LINE: PENDANT CHAIN FILE: F-014-041-EL-S100-1 DATE REV: 01-SEP-14
-------------------------	--	--	--



AVAILABLE IN  
GAS & ELECTRIC  
WITH EXCEPTION  
OF SMALL SIZE

LARGE  
F-014-063  
16 1/2" W X 36" H

\* ACTUAL DIMENSIONS MAY VARY UP TO 1/2"

CUSTOM DRAWING CHANGES:

© 2014 SOLARA ENCHAINMENT  
UNAUTHORIZED USE OF THIS  
PLAN IS IN VIOLATION OF THE  
U.S. COPYRIGHT ACT TITLE 17  
OF THE U.S. CODE.



DESIGN: PALERMO

LINE: PIER MOUNT

FILE: F-014-063-EG-S100-1

DATE REV: 01-SEP-14