



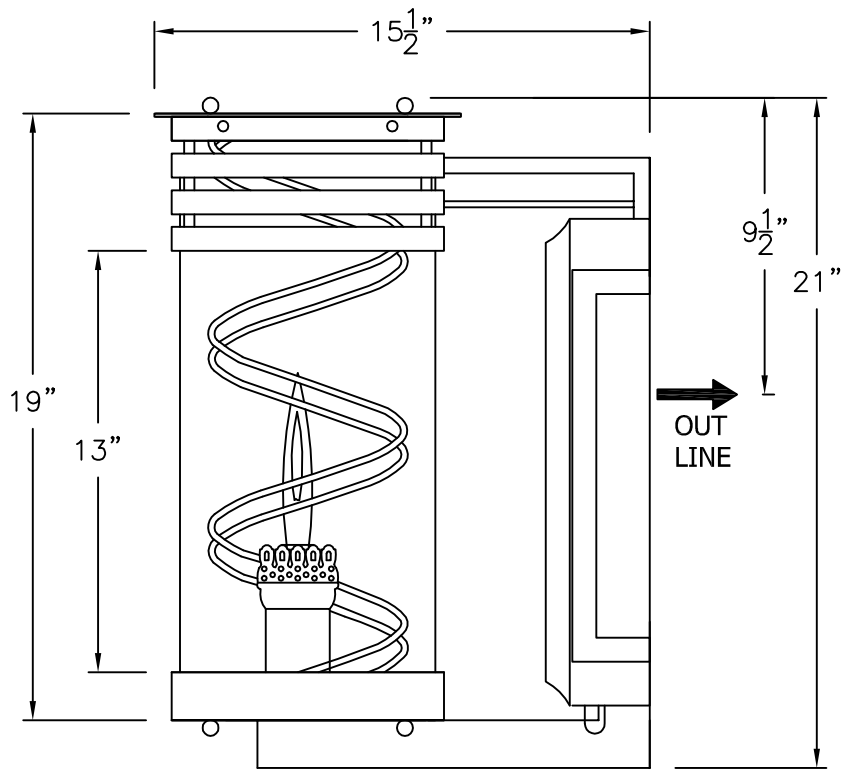
SOLARA

Iron Doors & Lighting

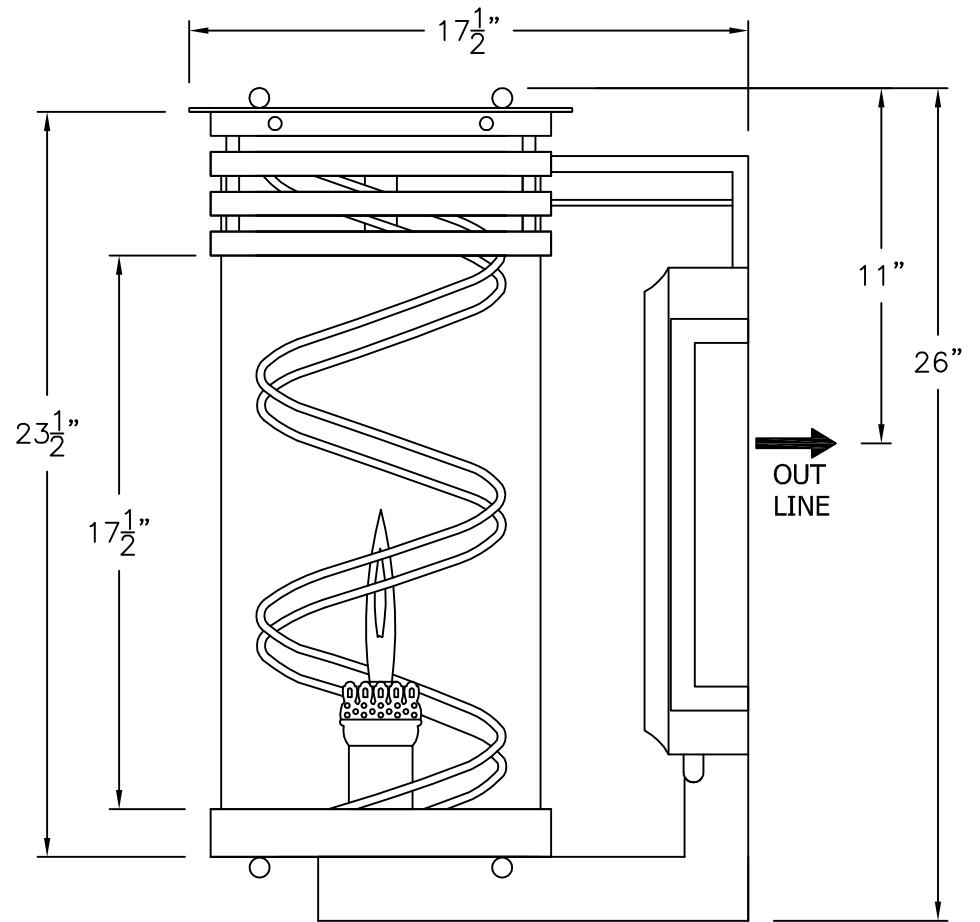


Translucent - B004





MEDIUM
 B-004-012
 9 1/2" W X 21" H X 15 1/2" D



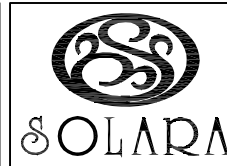
LARGE
 B-004-013
 12" W X 26" H X 17 1/2" D

AVAILABLE IN
 GAS & ELECTRIC
 WITH EXCEPTION
 OF SMALL SIZE

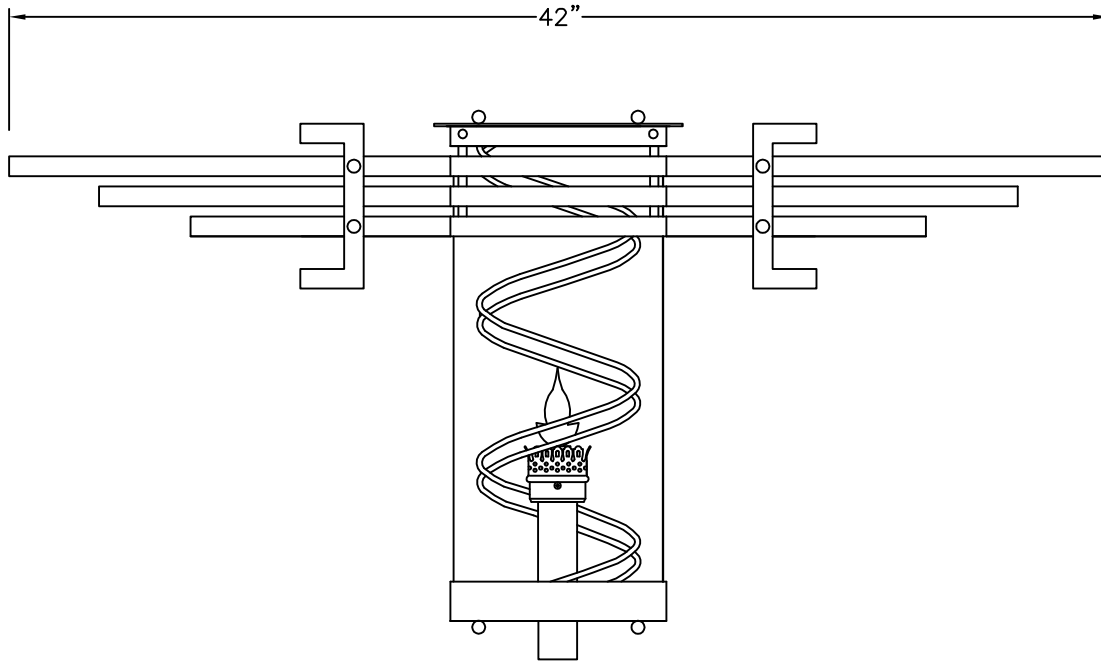
* ACTUAL DIMENSIONS MAY VARY UP TO 1/2"

CUSTOM DRAWING CHANGES:

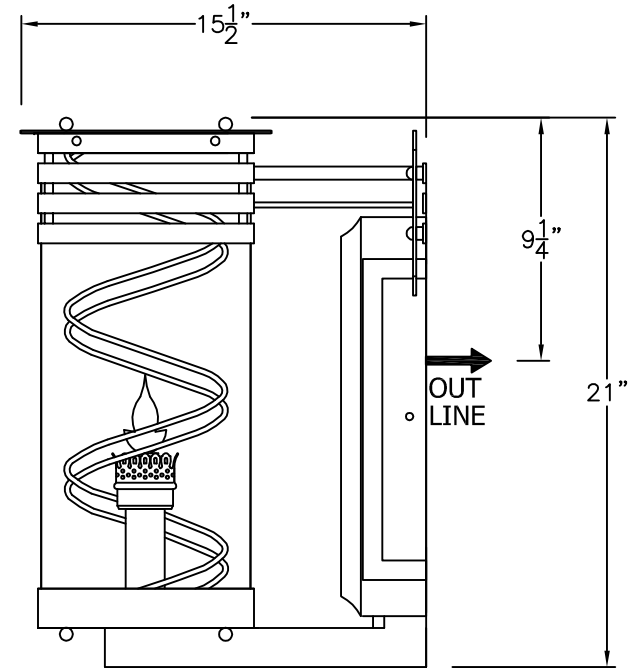
© 2010 SOLARA ENCHAINMENT
 UNAUTHORIZED USE OF THIS
 PLAN IS IN VIOLATION OF THE
 U.S. COPYRIGHT ACT TITLE 17
 OF THE U.S. CODE.



DESIGN:	TRANSLUCENT
LINE:	WALL MOUNT
FILE:	B-004-01SET-EG-S100-1
DATE REV:	05-AUGUST-10



FRONT VIEW



SIDE VIEW

MEDIUM
 B-004-022
 42" W X 21" H X 15 1/2" D

AVAILABLE IN
 GAS & ELECTRIC
 WITH EXCEPTION
 OF SMALL SIZE

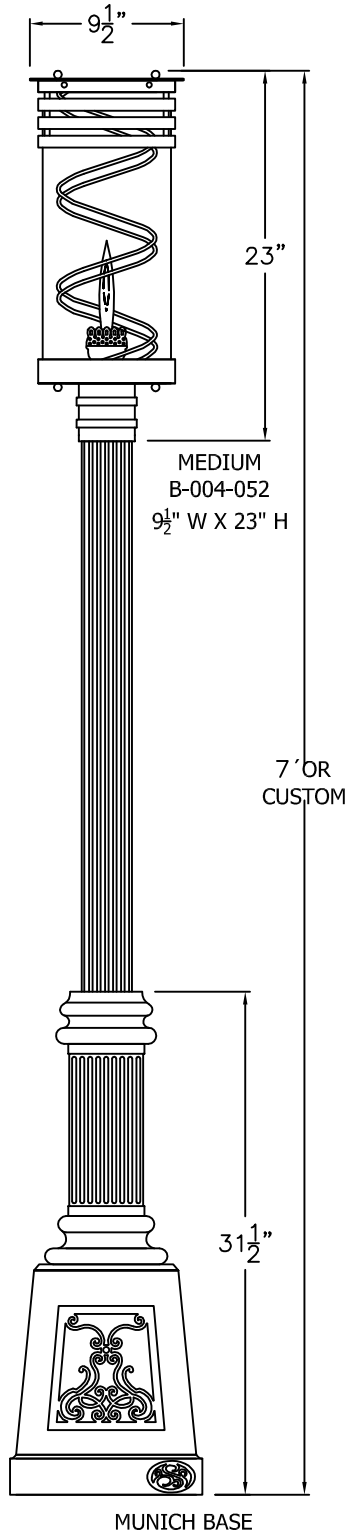
* ACTUAL DIMENSIONS MAY VARY UP TO 1/2"

CUSTOM DRAWING CHANGES:

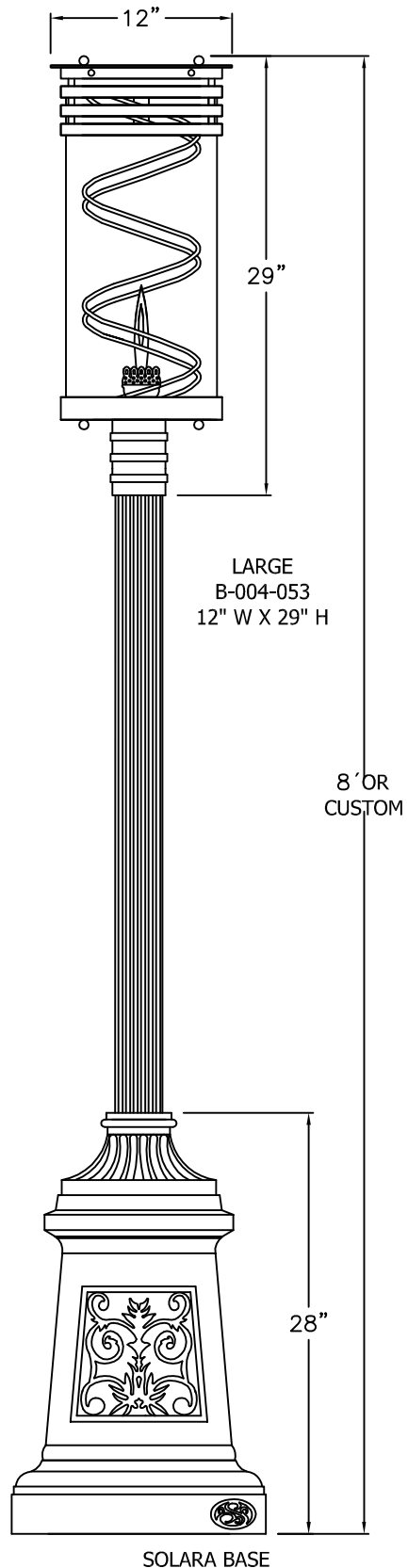
© 2010 SOLARA ENCHAINMENT
 UNAUTHORIZED USE OF THIS
 PLAN IS IN VIOLATION OF THE
 U.S. COPYRIGHT ACT TITLE 17
 OF THE U.S. CODE.



DESIGN:	TRANSLUCENT
LINE:	CENTRAL MOUNT
FILE:	B-004-022-EG-S100-1
DATE REV:	25-NOV-10



MUNICH BASE



SOLARA BASE

AVAILABLE IN
GAS & ELECTRIC
WITH EXCEPTION
OF SMALL SIZE

* POST ARE SOLD SEPARATELY
* ACTUAL DIMENSIONS MAY VARY UP TO 1/2"

CUSTOM DRAWING CHANGES:

© 2011 SOLARA ENCHAINMENT
UNAUTHORIZED USE OF THIS
PLAN IS IN VIOLATION OF THE
U.S. COPYRIGHT ACT TITLE 17
OF THE U.S. CODE.

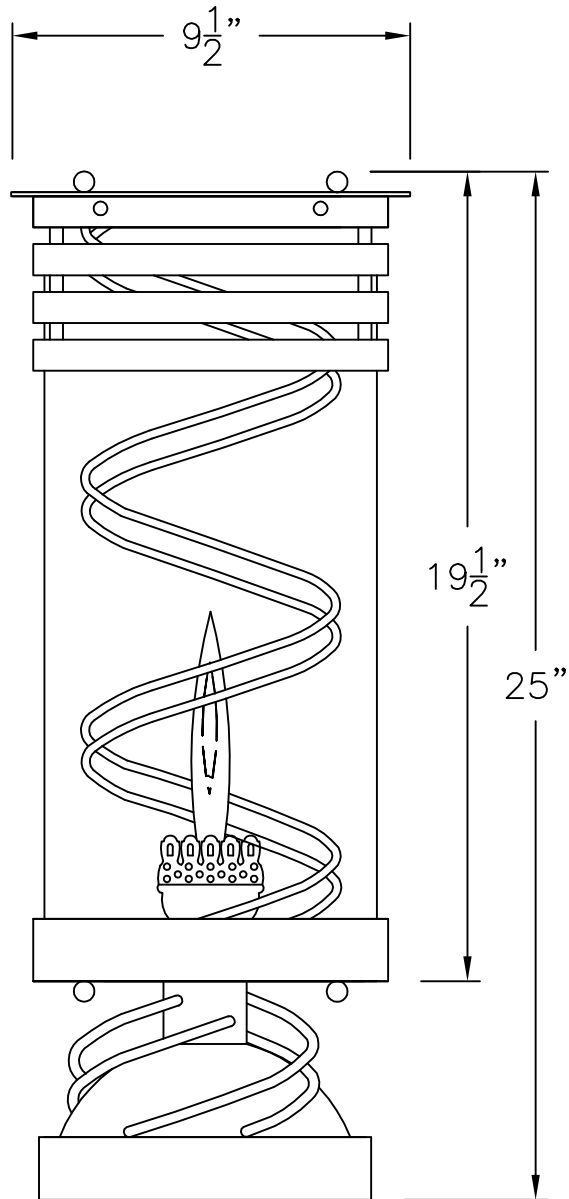


DESIGN: TRANSLUCENT

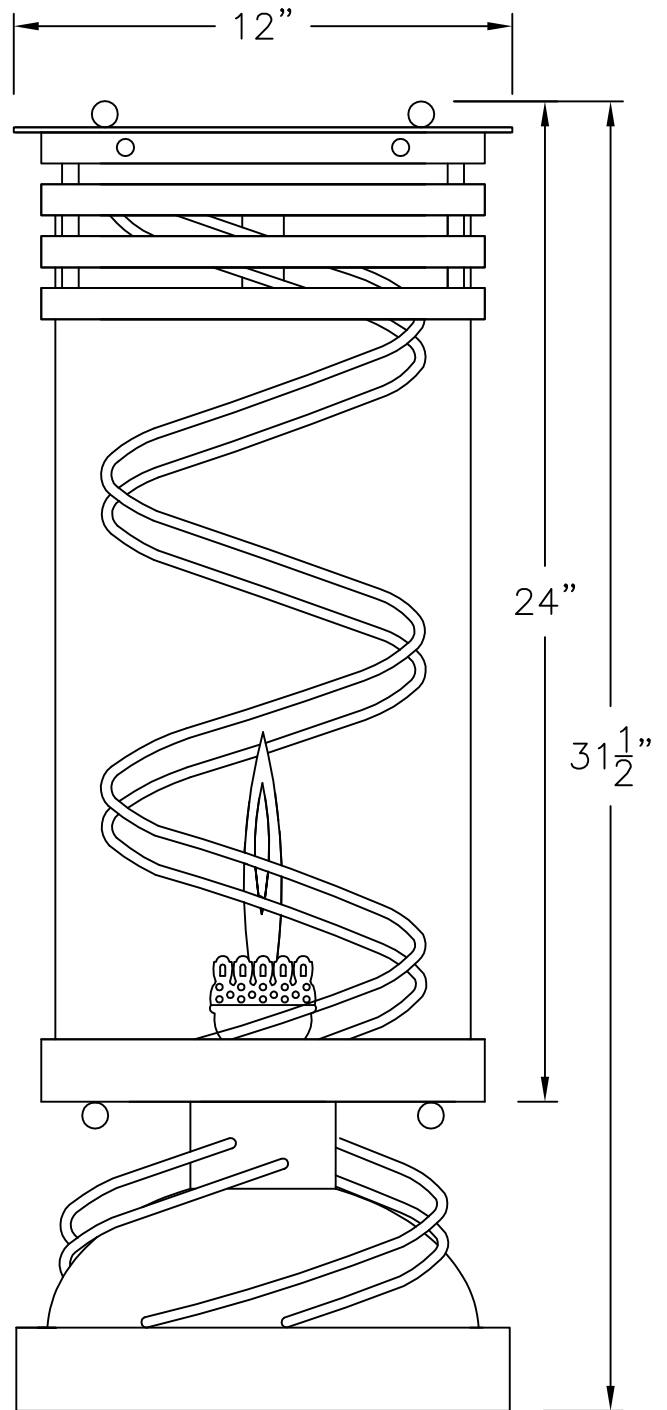
LINE: POST MOUNT

FILE: B-004-05SET-EG-S100-1

DATE REV: 10-FEB-11



MEDIUM
B-004-062
9 1/2" W x 25" H

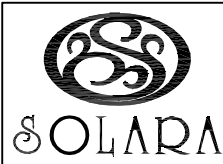


LARGE
B-004-063
12" W x 31 1/2" H

AVAILABLE IN
GAS & ELECTRIC
WITH EXCEPTION
OF SMALL SIZE

CUSTOM DRAWING CHANGES:

© 2010 SOLARA ENCHAINMENT
UNAUTHORIZED USE OF THIS
PLAN IS IN VIOLATION OF THE
U.S. COPYRIGHT ACT TITLE 17
OF THE U.S. CODE

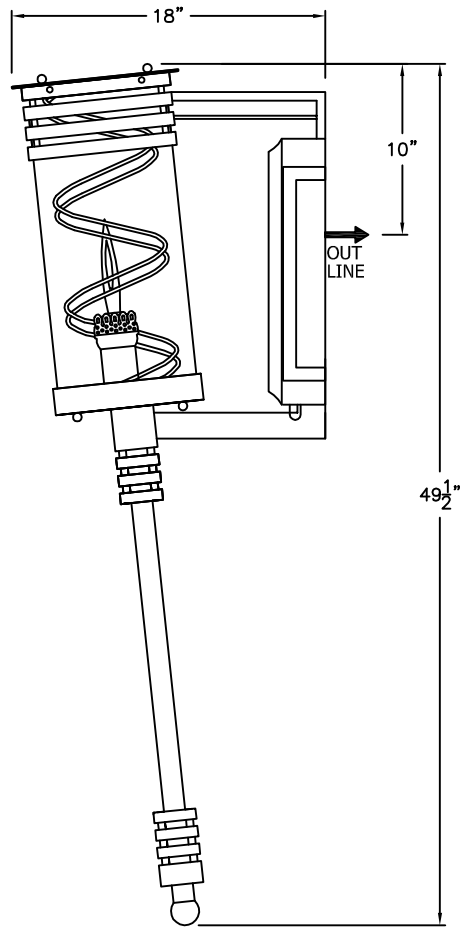


DESIGN: TRANSLUCENT

LINE: PIER MOUNT

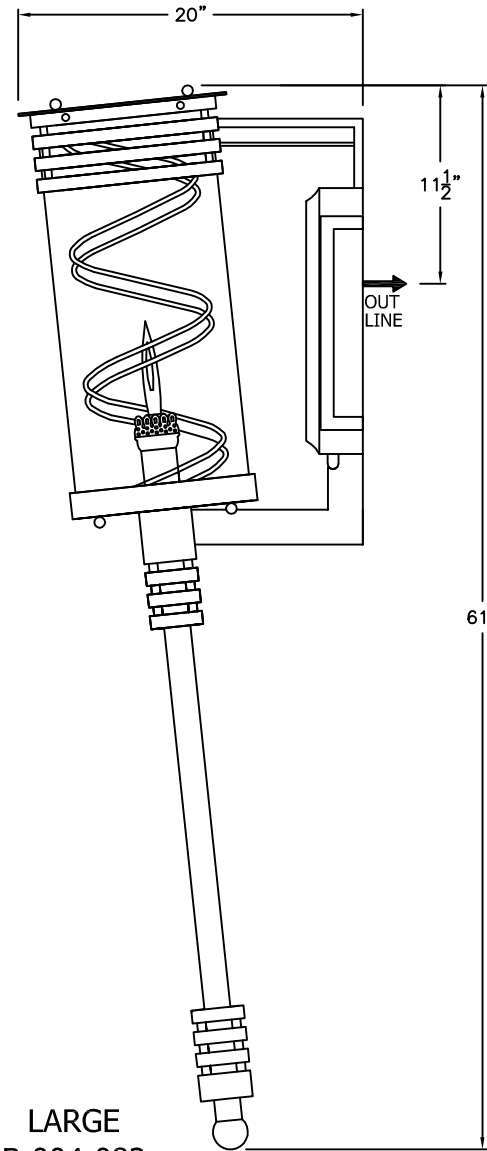
FILE: B-004-06SET-EG-S100-1

DATE REV: 27-SEPTEMBER-10



MEDIUM
B-004-082

9 1/2" W X 49 1/2" H X 18" D



LARGE
B-004-083

12" W X 61" H X 20" D

AVAILABLE IN
GAS & ELECTRIC
WITH EXCEPTION
OF SMALL SIZE

* ACTUAL DIMENSIONS MAY VARY UP TO 1/2"

CUSTOM DRAWING CHANGES:

© 2011 SOLARA ENCHAINMENT
UNAUTHORIZED USE OF THIS
PLAN IS IN VIOLATION OF THE
U.S. COPYRIGHT ACT TITLE 17
OF THE U.S. CODE.



DESIGN:	TRANSLUCENT
LINE:	TORCH MOUNT
FILE:	B-004-08SET-EG-S100-1
DATE REV :	10-FEB-11