

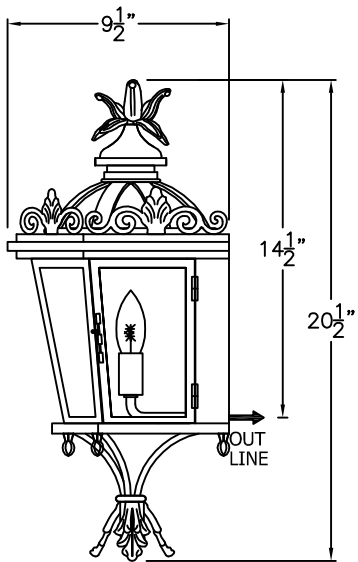


Solara lighting
2011

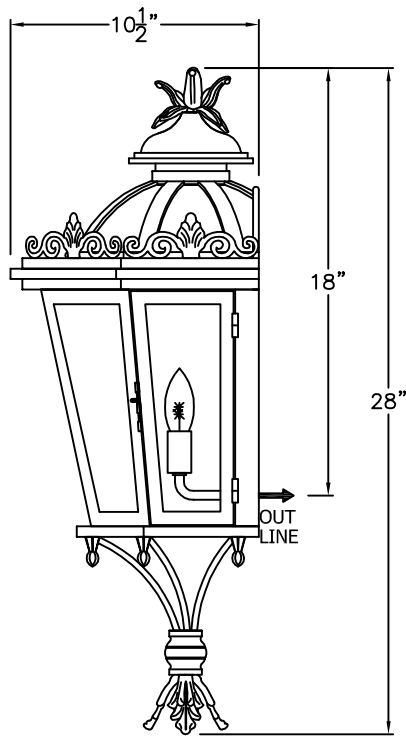
Versailles
Cast Bronze
CB-D-004



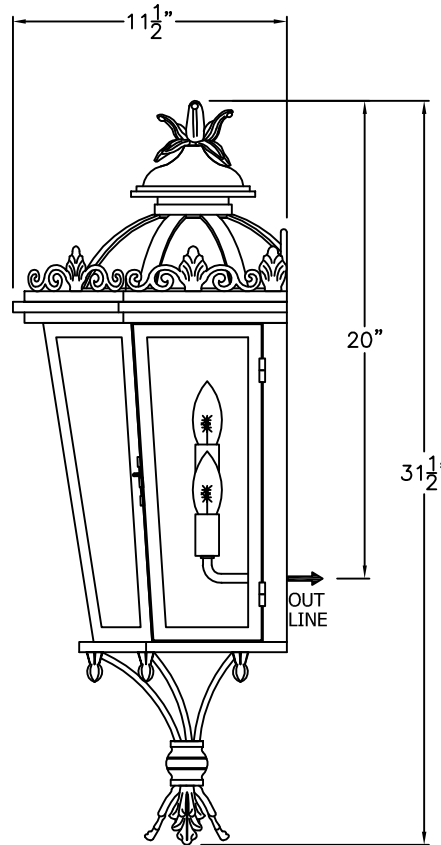
www.solaralighting.com
1-888-8SOLARA



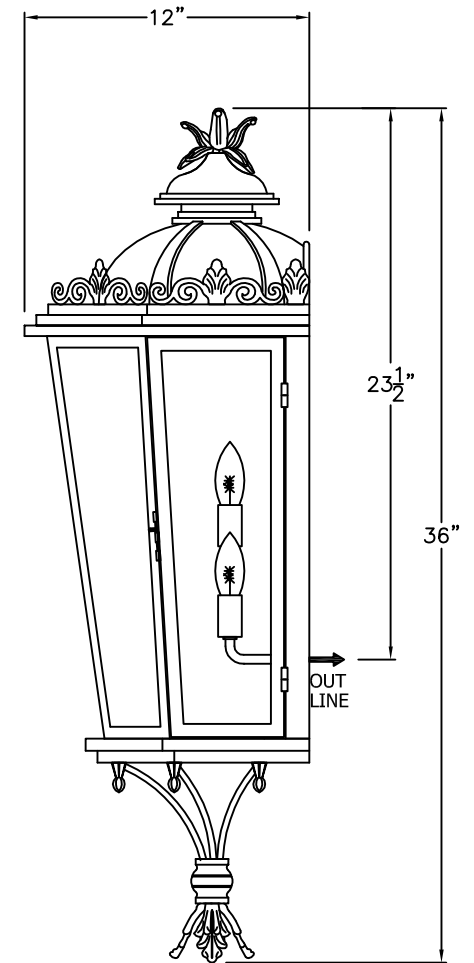
SMALL
CB-D-004-001
10" W x 20 1/2" H x 9 1/2" D



MEDIUM
CB-D-004-002
15" W x 28" H x 10 1/2" D



LARGE
CB-D-004-003
15" W x 31 1/2" H x 11 1/2" D



XLARGE
CB-D-004-004
16" W x 36" H x 12" D

ONLY AVAILABLE
IN ELECTRIC

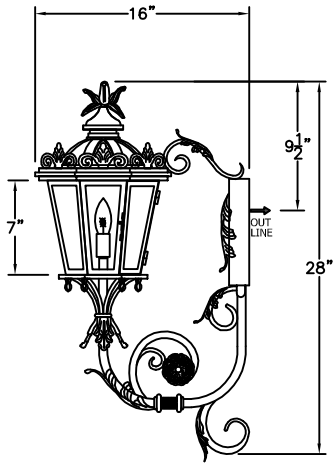
* ACTUAL DIMENSIONS MAY VARY UP TO 1/2"

CUSTOM DRAWING CHANGES:

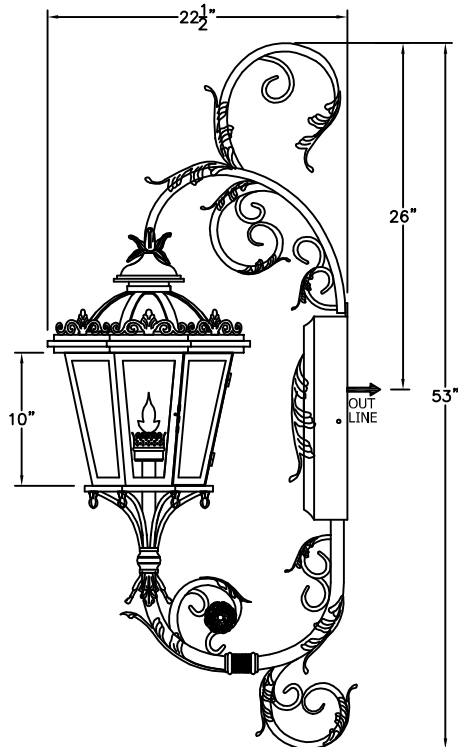
© 2010 SOLARA ENCHAINMENT
UNAUTHORIZED USE OF THIS
PLAN IS IN VIOLATION OF THE
U.S. COPYRIGHT ACT TITLE 17
OF THE U.S. CODE



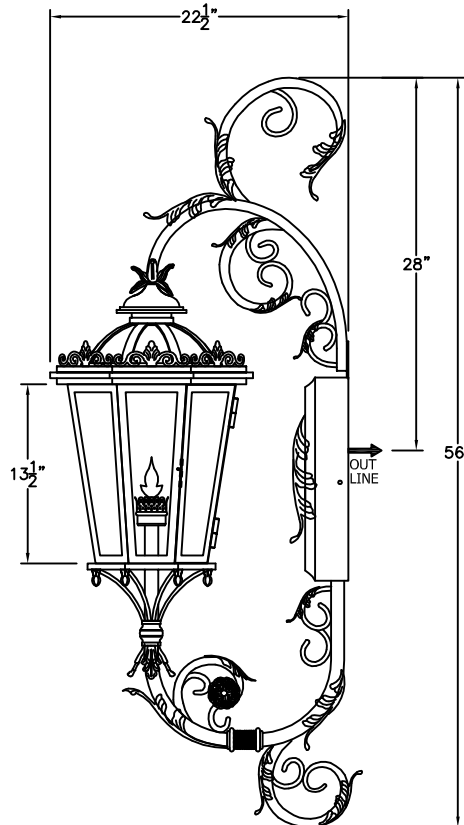
DESIGN:	VERSAILLES CAST BRONZE
LINE:	SCONCE MOUNT
FILE:	CB-D-004-00SET-EL-S100-2
DATE REV:	17-NOV-10



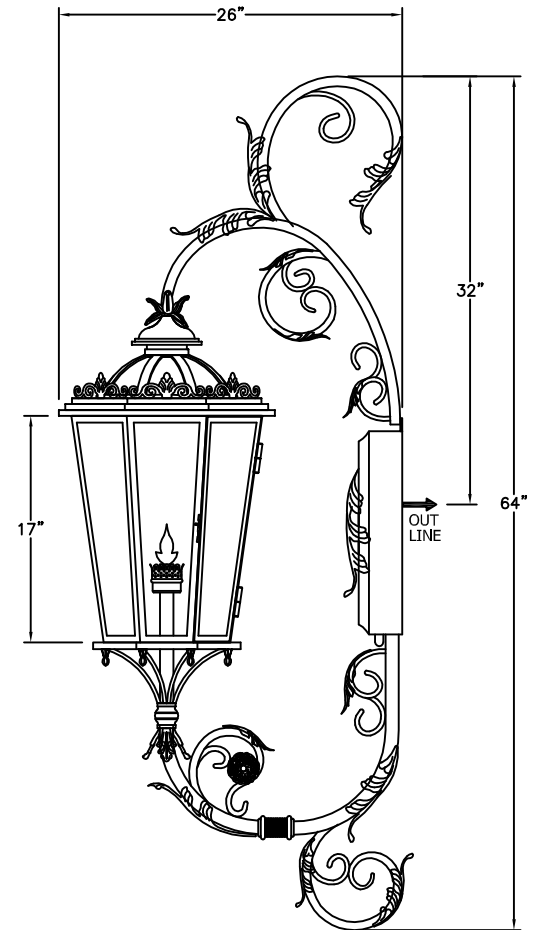
SMALL
 CB-D-004-011
 10" W x 28" H x 16" D



MEDIUM
 CB-D-004-012
 15" W x 53" H x 22 1/2" D



LARGE
 CB-D-004-013
 15" W x 56" H x 22 1/2" D



XLARGE
 CB-D-004-014
 16" W x 64" H x 26" D

AVAILABLE IN
 GAS & ELECTRIC
 WITH EXCEPTION
 OF SMALL SIZE

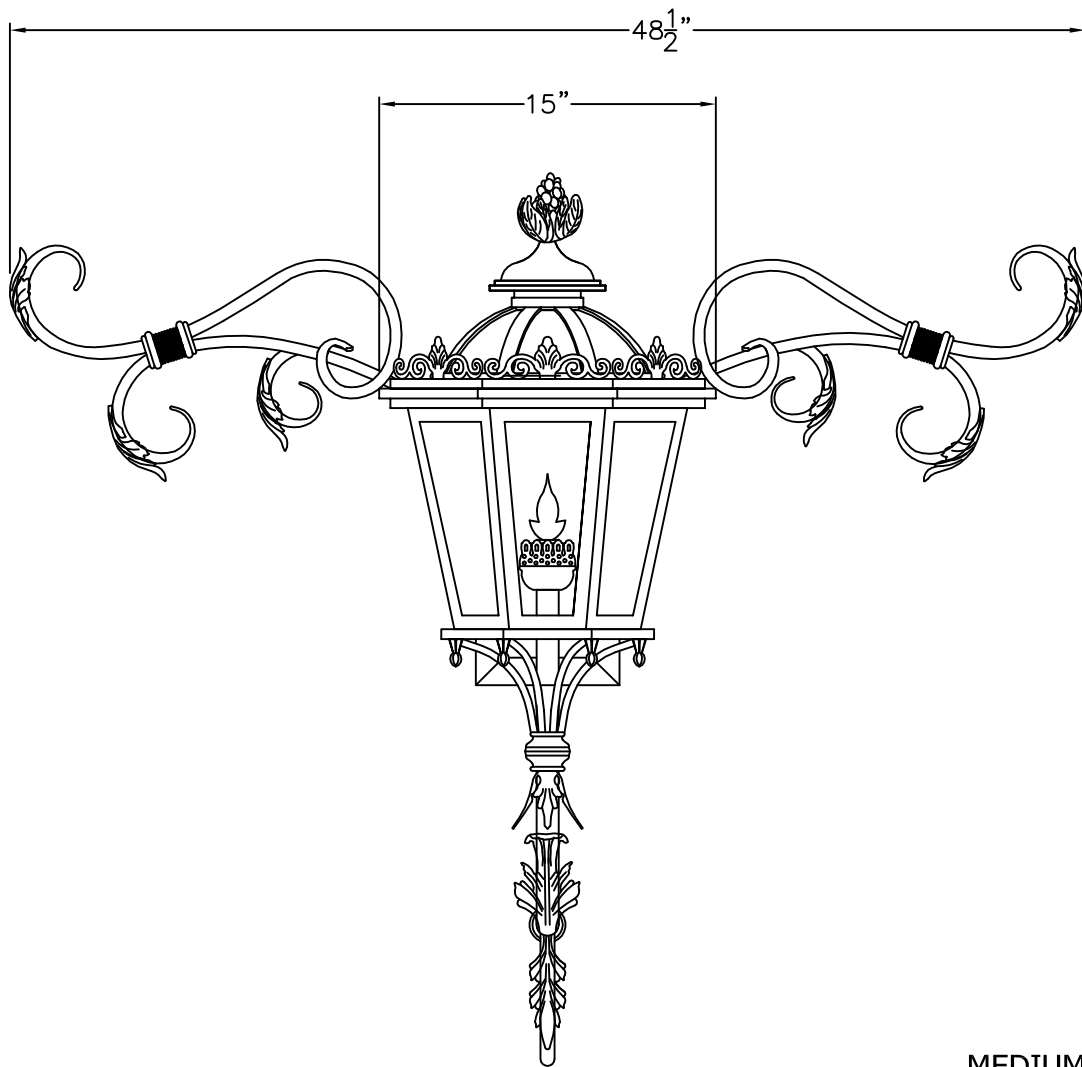
* ACTUAL DIMENSIONS MAY VARY UP TO 1/2"

CUSTOM DRAWING CHANGES:

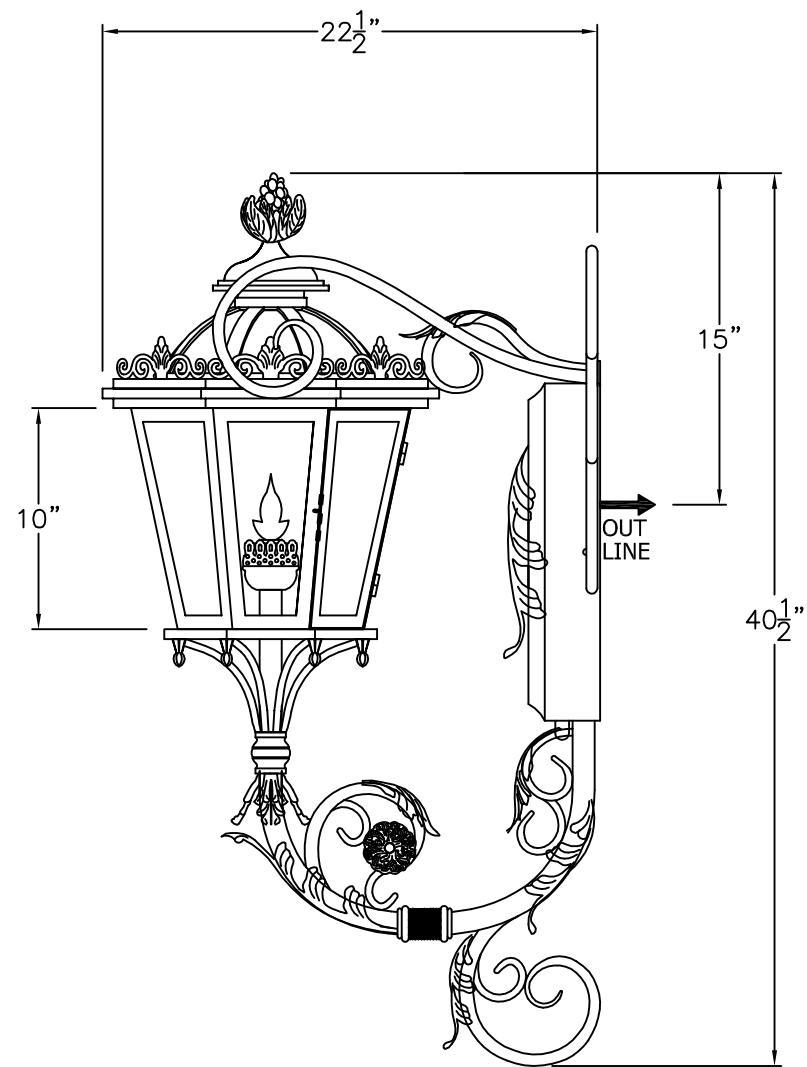
© 2010 SOLARA ENCHAINMENT
 UNAUTHORIZED USE OF THIS
 PLAN IS IN VIOLATION OF THE
 U.S. COPYRIGHT ACT TITLE 17
 OF THE U.S. CODE.



DESIGN: VERSAILLES CAST BRONZE
 LINE: WALL MOUNT
 FILE: CB-D-004-01SET-EG-S100-2
 DATE REV: 17-NOV-10



FRONT VIEW



SIDE VIEW

MEDIUM
 CB-D-004-022
 48 1/2" W x 40 1/2" H x 22 1/2" D

AVAILABLE IN
 GAS & ELECTRIC
 WITH EXCEPTION
 OF SMALL SIZE

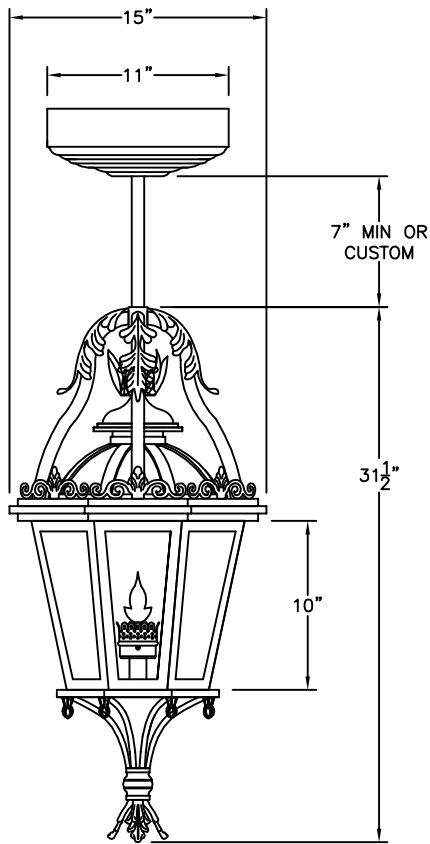
* ACTUAL DIMENSIONS MAY VARY UP TO 1/2"

CUSTOM DRAWING CHANGES:

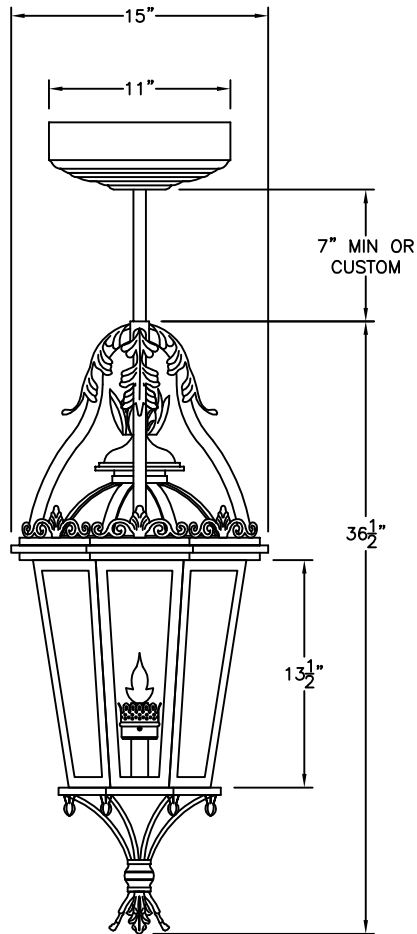
© 2010 SOLARA ENCHAINMENT
 UNAUTHORIZED USE OF THIS
 PLAN IS IN VIOLATION OF THE
 U.S. COPYRIGHT ACT TITLE 17
 OF THE U.S. CODE.



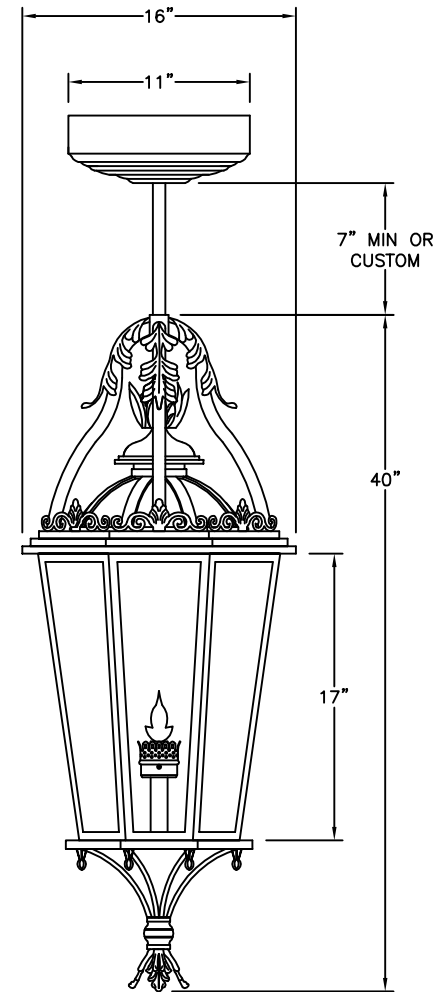
DESIGN: VERSAILLES CAST BRONZE
 LINE: CENTRAL MOUNT
 FILE: CB-D-004-022-EG-S100-2
 DATE REV: 17-NOV-10



MEDIUM
 CB-D-004-032
 15" W x 31 1/2" H



LARGE
 CB-D-004-033
 15" W x 36 1/2" H



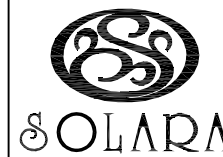
XLARGE
 CB-D-004-034
 16" W x 40" H

AVAILABLE IN
 GAS & ELECTRIC
 WITH EXCEPTION
 OF SMALL SIZE

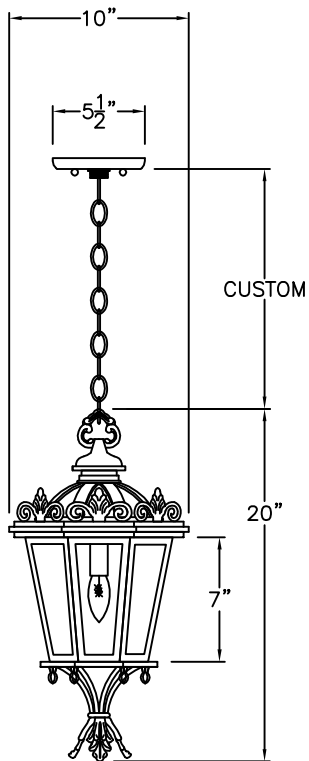
* ACTUAL DIMENSIONS MAY VARY UP TO 1/2"

CUSTOM DRAWING CHANGES:

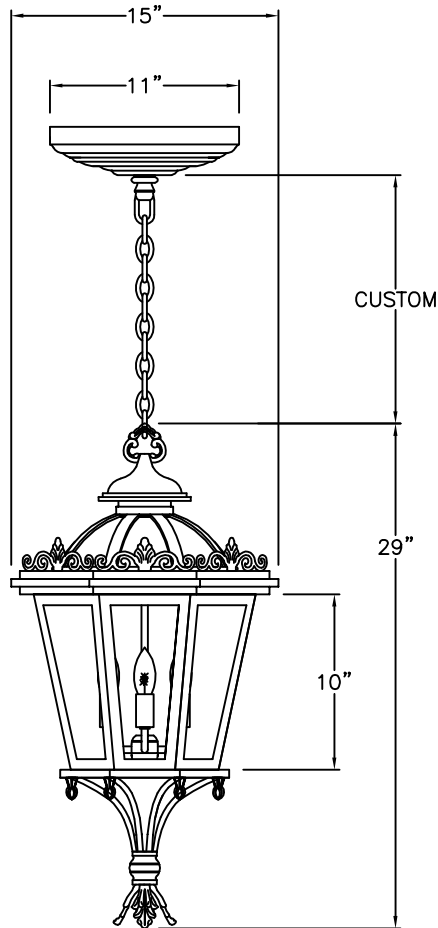
© 2010 SOLARA ENCHAINMENT
 UNAUTHORIZED USE OF THIS
 PLAN IS IN VIOLATION OF THE
 U.S. COPYRIGHT ACT TITLE 17
 OF THE U.S. CODE.



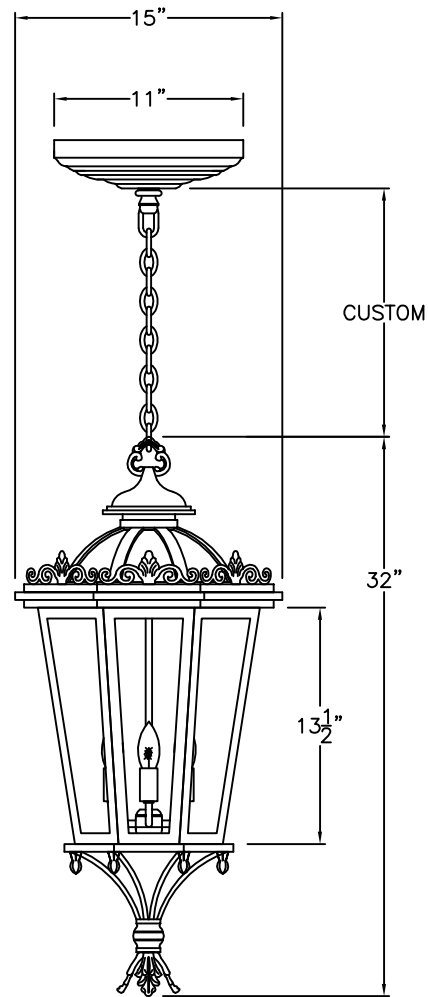
DESIGN: VERSAILLES CAST BRONZE
 LINE: PENDANT STEM
 FILE: CB-D-004-03SET-EG-S100-2
 DATE REV: 17-NOV-10



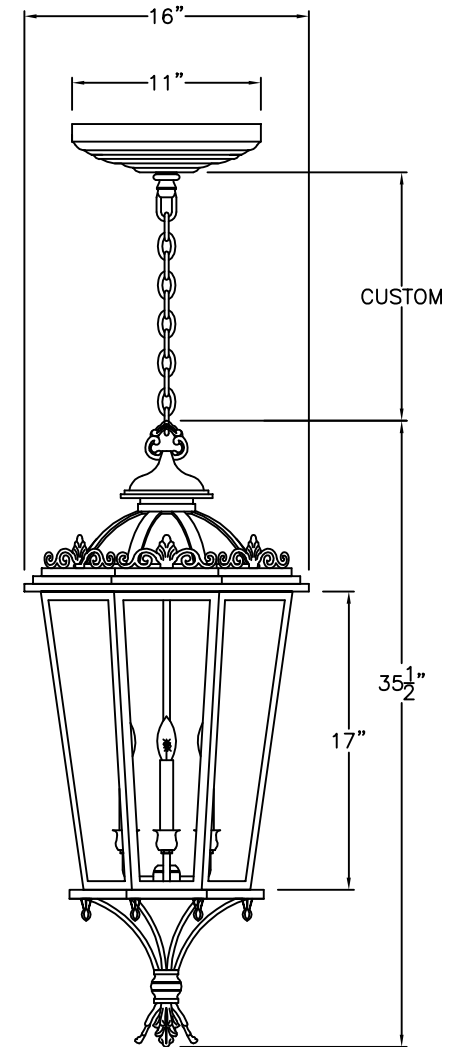
SMALL
CB-D-004-41
10" W x 20" H



MEDIUM
CB-D-004-042
15" W x 29" H



LARGE
CB-D-004-043
15" W x 32" H



XLARGE
CB-D-004-044
16" W x 35 1/2" H

ONLY AVAILABLE
IN ELECTRIC

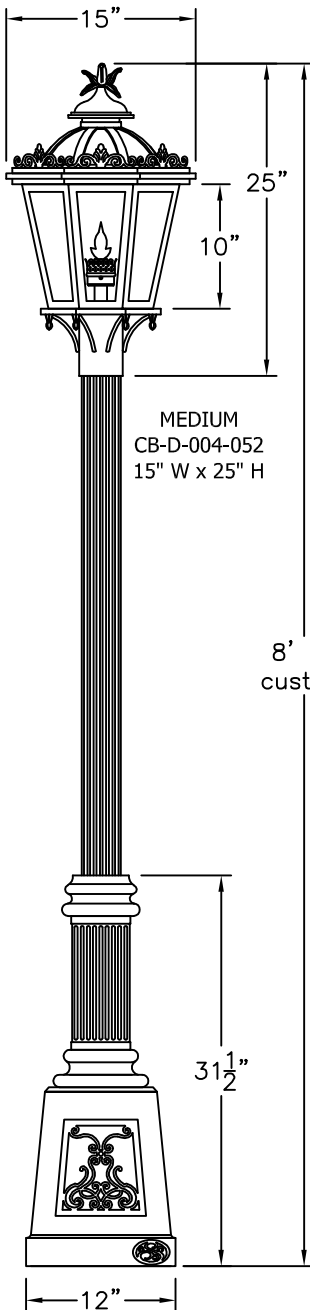
* ACTUAL DIMENSIONS MAY VARY UP TO 1/2"

CUSTOM DRAWING CHANGES:

© 2010 SOLARA ENCHAINMENT
UNAUTHORIZED USE OF THIS
PLAN IS IN VIOLATION OF THE
U.S. COPYRIGHT ACT TITLE 17
OF THE U.S. CODE.

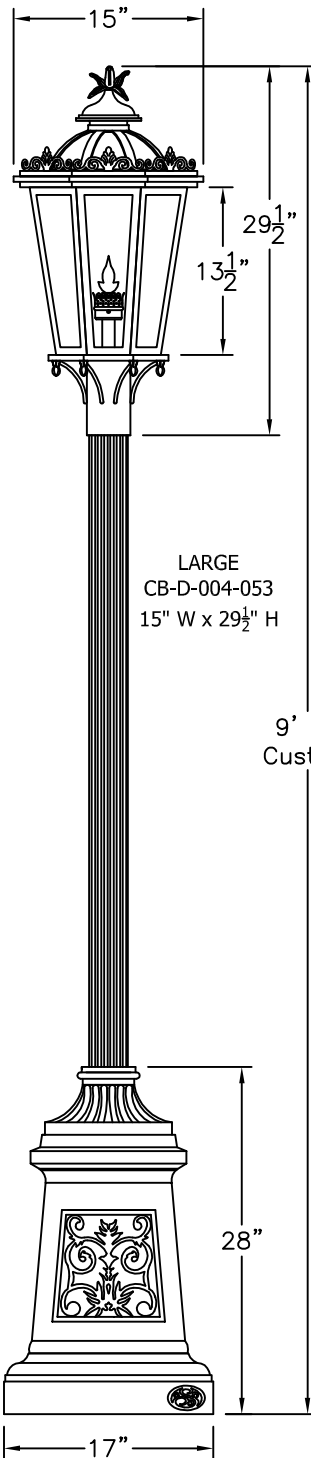


DESIGN: VERSAILLES CAST BRONZE
LINE: PENDANT CHAIN
FILE: CB-D-004-04SET-EL-S100-2
DATE REV: 17-NOV-10



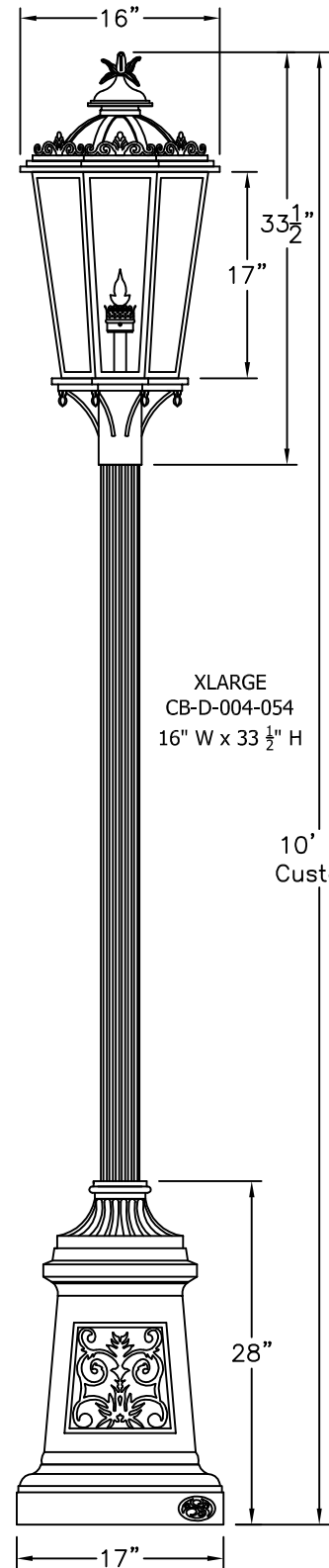
MEDIUM
CB-D-004-052
15" W x 25" H

SOLARA BASE



LARGE
CB-D-004-053
15" W x 29 1/2" H

MUNICH BASE-SH



XLARGE
CB-D-004-054
16" W x 33 1/2" H

AVAILABLE IN
GAS & ELECTRIC
WITH EXCEPTION
OF SMALL SIZE

POST ARE SOLD SEPARATELY

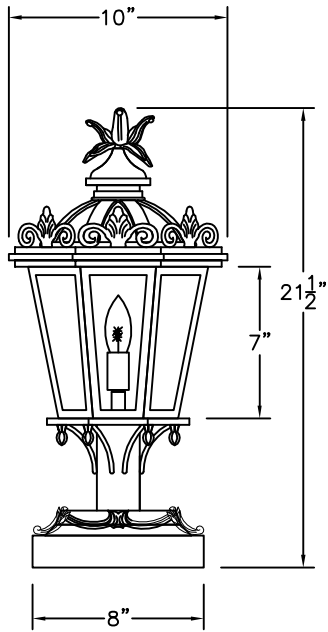
* ACTUAL DIMENSIONS MAY VARY UP TO 1/2"

CUSTOM DRAWING CHANGES:

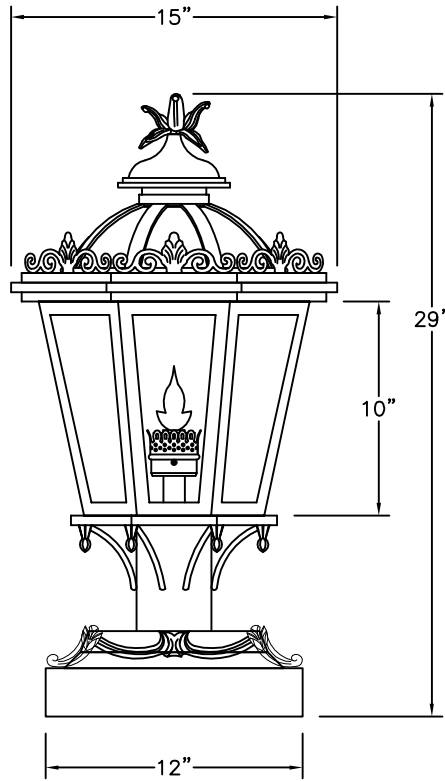
© 2010 SOLARA ENCHAINMENT
UNAUTHORIZED USE OF THIS
PLAN IS IN VIOLATION OF THE
U.S. COPYRIGHT ACT TITLE 17
OF THE U.S. CODE.



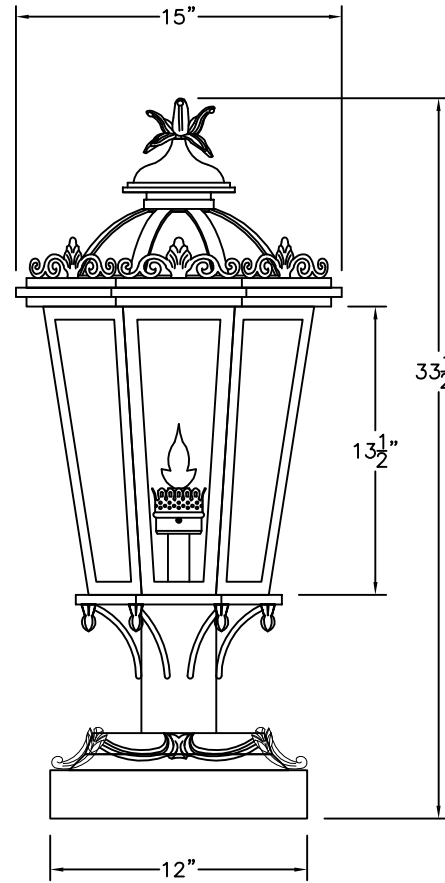
DESIGN:	VERSALLES CAST BRONZE
LINE:	POST MOUNT
FILE:	CB-D-004-05SET-EG-S100-2
DATE REV :	17-NOV-10



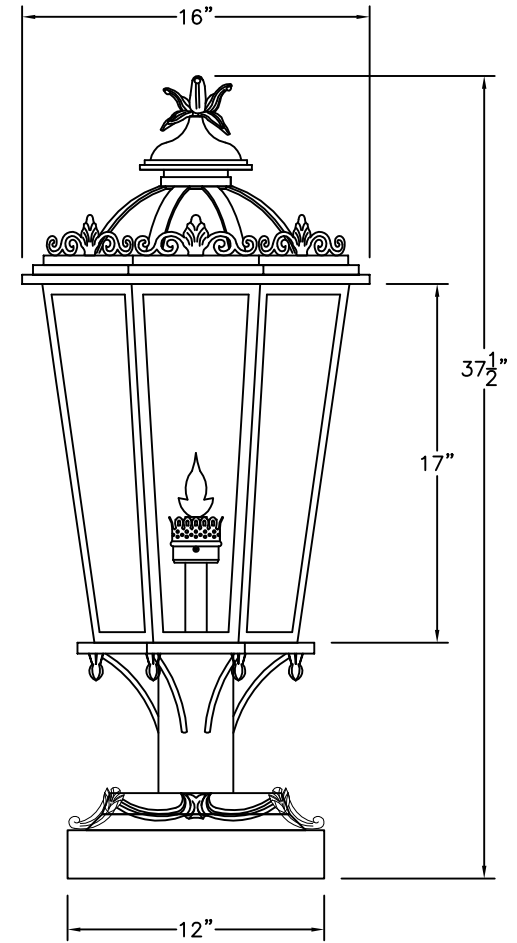
SMALL
 CB-D-004-061
 10" W x 21 1/2" H



MEDIUM
 CB-D-004-062
 15" W x 29" H



LARGE
 CB-D-004-063
 15" W x 33 1/2" H



XLARGE
 CB-D-004-064
 16" W x 37 1/2" H

AVAILABLE IN
 GAS & ELECTRIC
 WITH EXCEPTION
 OF SMALL SIZE

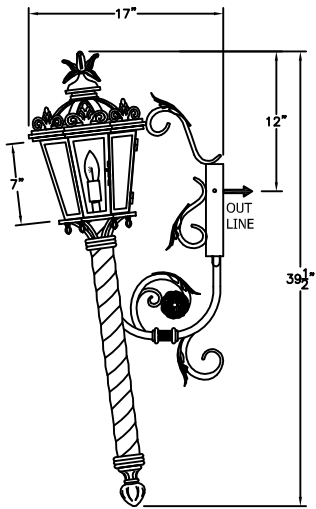
* ACTUAL DIMENSIONS MAY VARY UP TO 1/2"

CUSTOM DRAWING CHANGES:

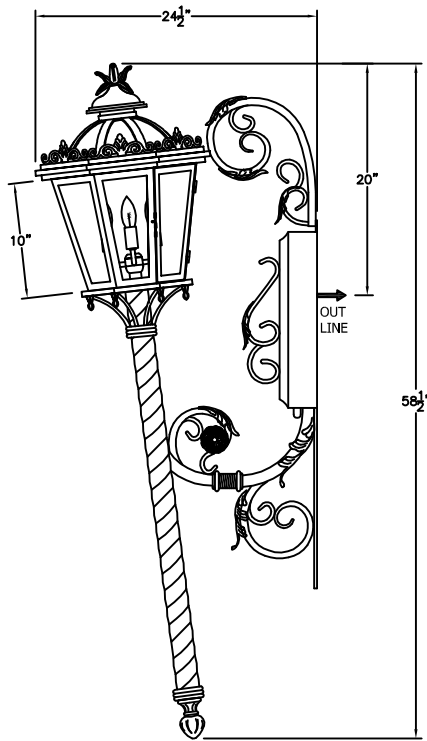
© 2010 SOLARA ENCHAINMENT
 UNAUTHORIZED USE OF THIS
 PLAN IS IN VIOLATION OF THE
 U.S. COPYRIGHT ACT TITLE 17
 OF THE U.S. CODE.



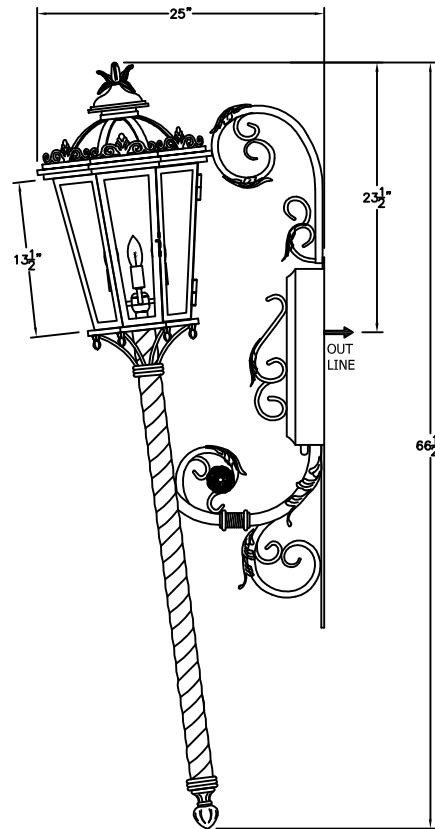
DESIGN: VERSAILLES CAST BRONZE
 LINE: PIER MOUNT
 FILE: CB-D-004-06SET-EG-S100-1
 DATE REV: 17-NOV-10



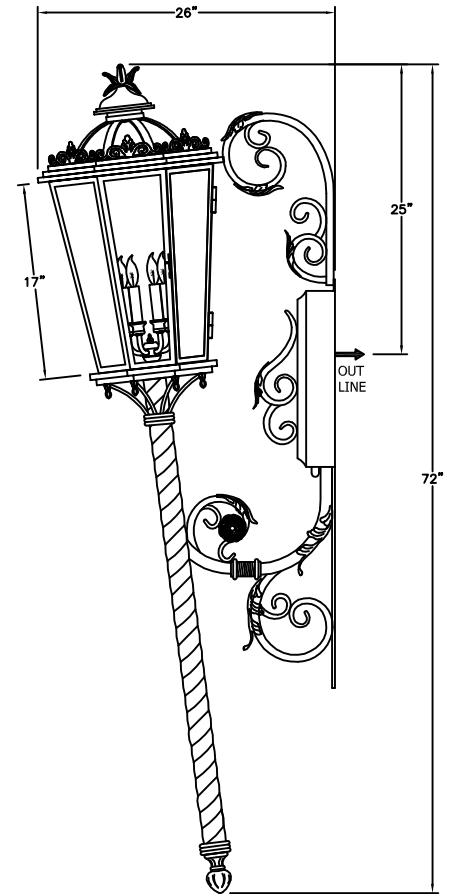
SMALL
 CB-D-004-081
 10" W x 39 1/2" H x 17" D



MEDIUM
 CB-D-004-082
 15" W x 58 1/2" H x 24 1/2" D



LARGE
 CB-D-004-083
 15" W x 66 1/2" H x 25" D



XLARGE
 CB-D-004-084
 16" W x 72" H x 26" D

AVAILABLE IN
 GAS & ELECTRIC
 WITH EXCEPTION
 OF SMALL SIZE

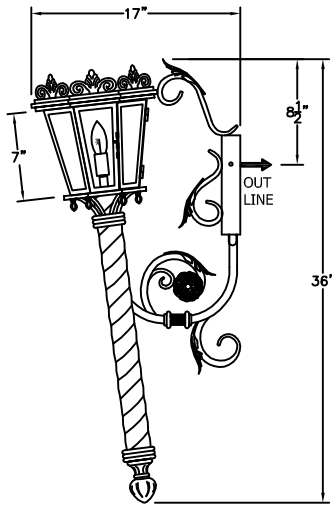
* ACTUAL DIMENSIONS MAY VARY UP TO 1/2"

CUSTOM DRAWING CHANGES:

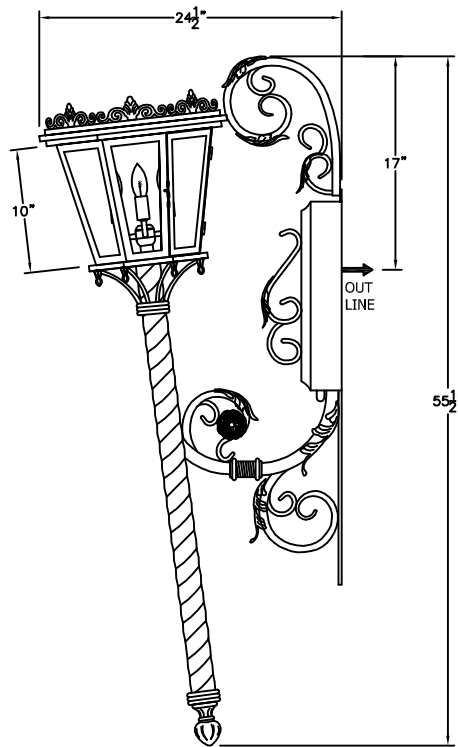
© 2011 SOLARA ENCHAINMENT
 UNAUTHORIZED USE OF THIS
 PLAN IS IN VIOLATION OF THE
 U.S. COPYRIGHT ACT TITLE 17
 OF THE U.S. CODE.



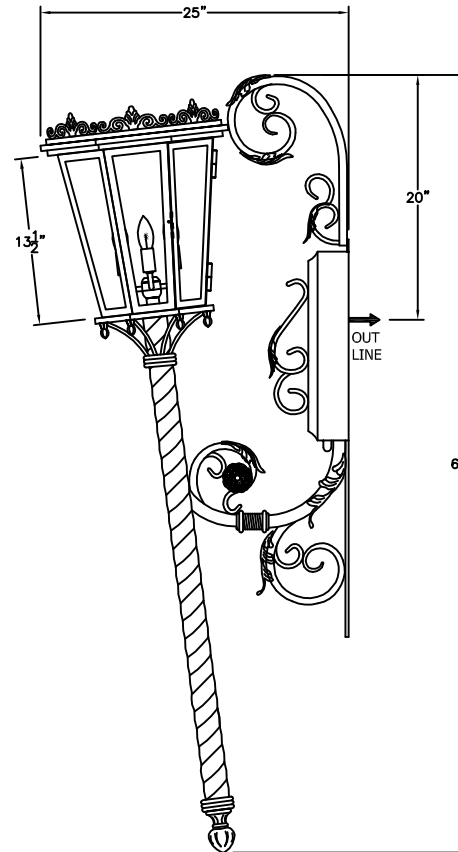
DESIGN: VERSAILLES CAST BRONZE
 LINE: TORCH MOUNT
 FILE: CB-D-004-08SET-EL-S100-1
 DATE REV: 09-FEB-11



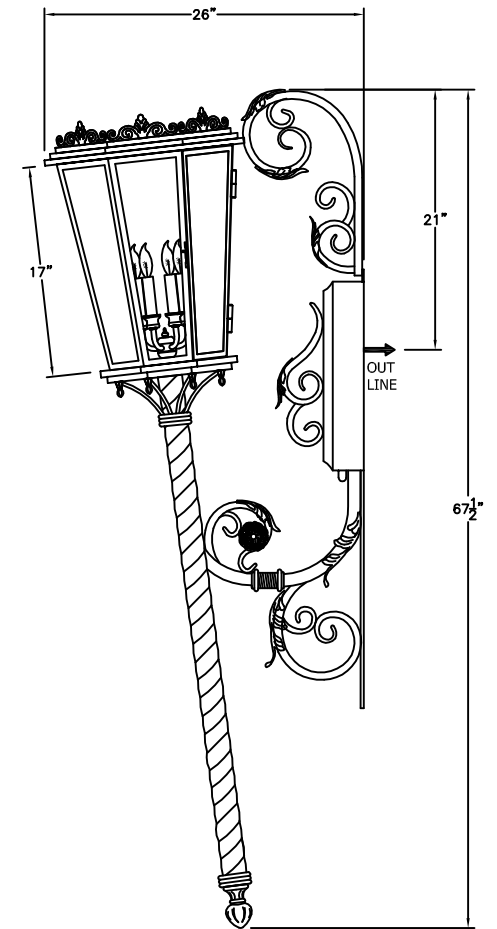
SMALL
 CB-D-004-091
 10" W x 36" H x 17" D



MEDIUM
 CB-D-004-092
 15" W x 55 1/2" H x 24 1/2" D



LARGE
 CB-D-004-093
 15" W x 63" H x 25" D



XLARGE
 CB-D-004-094
 16" W x 67 1/2" H x 26" D

AVAILABLE IN
 GAS & ELECTRIC
 WITH EXCEPTION
 OF SMALL SIZE

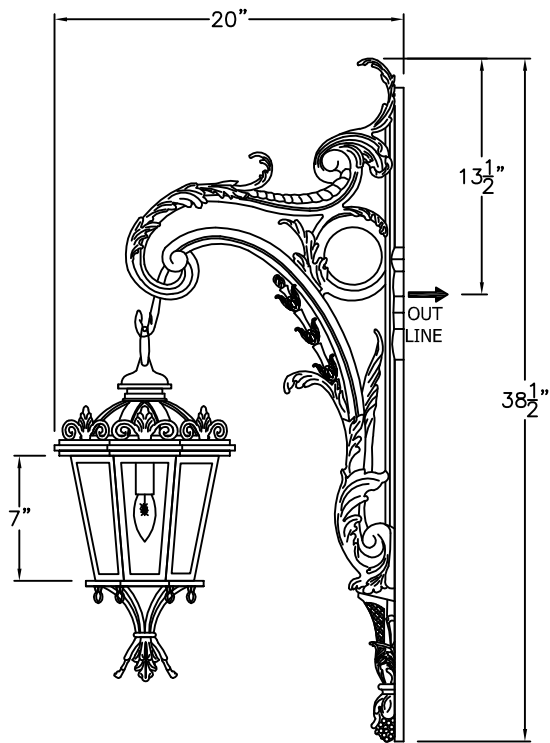
* ACTUAL DIMENSIONS MAY VARY UP TO 1/2"

CUSTOM DRAWING CHANGES:

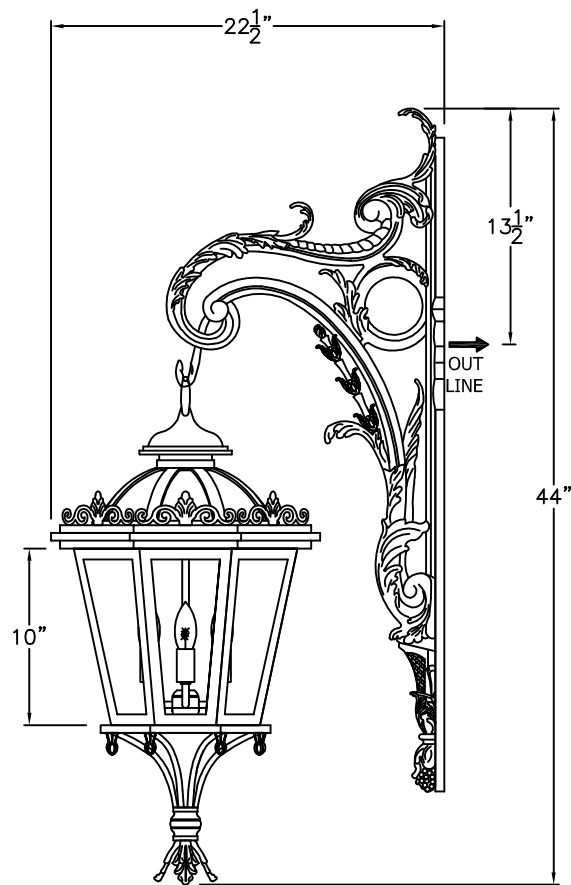
© 2011 SOLARA ENCHAINMENT
 UNAUTHORIZED USE OF THIS
 PLAN IS IN VIOLATION OF THE
 U.S. COPYRIGHT ACT TITLE 17
 OF THE U.S. CODE.



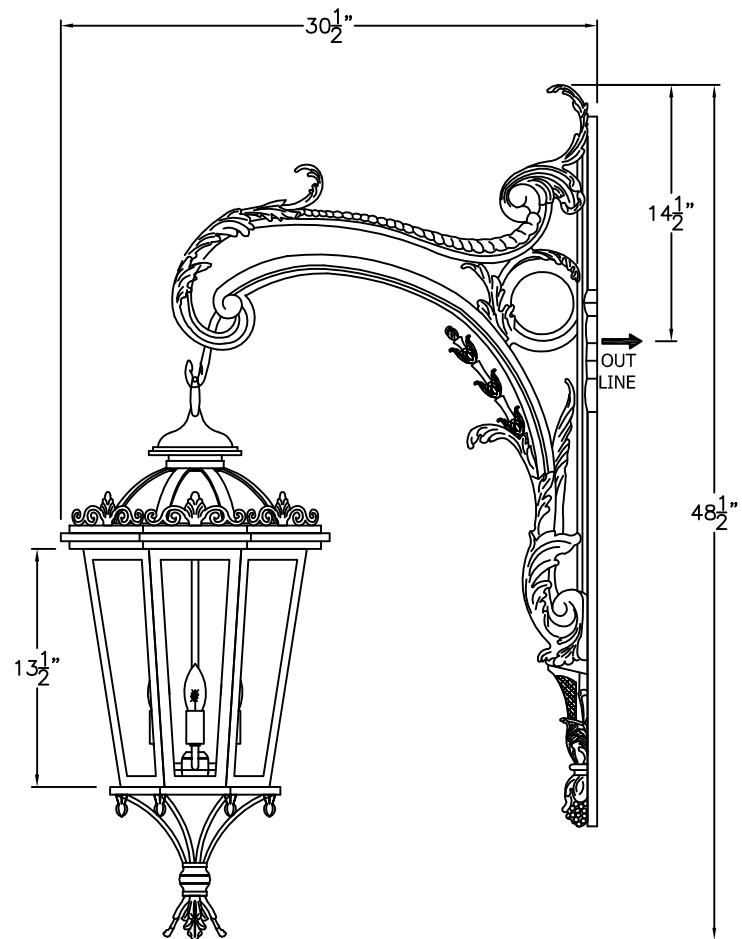
DESIGN: VERSAILLES CAST BRONZE
 LINE: TORCH MOUNT
 FILE: CB-D-004-09SET-EL-S100-1
 DATE REV: 09-FEB-11



SMALL
 CB-D-004-101
 10" W x 38 $\frac{1}{2}$ " H x 20"



MEDIUM
 CB-D-004-102
 15" W x 44" H x 22 $\frac{1}{2}$ "



LARGE
 CB-D-004-103
 15" W x 48 $\frac{1}{2}$ " H x 30 $\frac{1}{2}$ "

ONLY AVAILABLE
 IN ELECTRIC

* ACTUAL DIMENSIONS MAY VARY UP TO 1/2"

CUSTOM DRAWING CHANGES:

© 2011 SOLARA ENCHAINMENT
 UNAUTHORIZED USE OF THIS
 PLAN IS IN VIOLATION OF THE
 U.S. COPYRIGHT ACT TITLE 17
 OF THE U.S. CODE



DESIGN: VERSAILLES CAST BRONZE
 LINE: HANGING BRACKET
 FILE: CB-D-004-10SET-EL-S100-1
 DATE REV: 03-MAR-11