



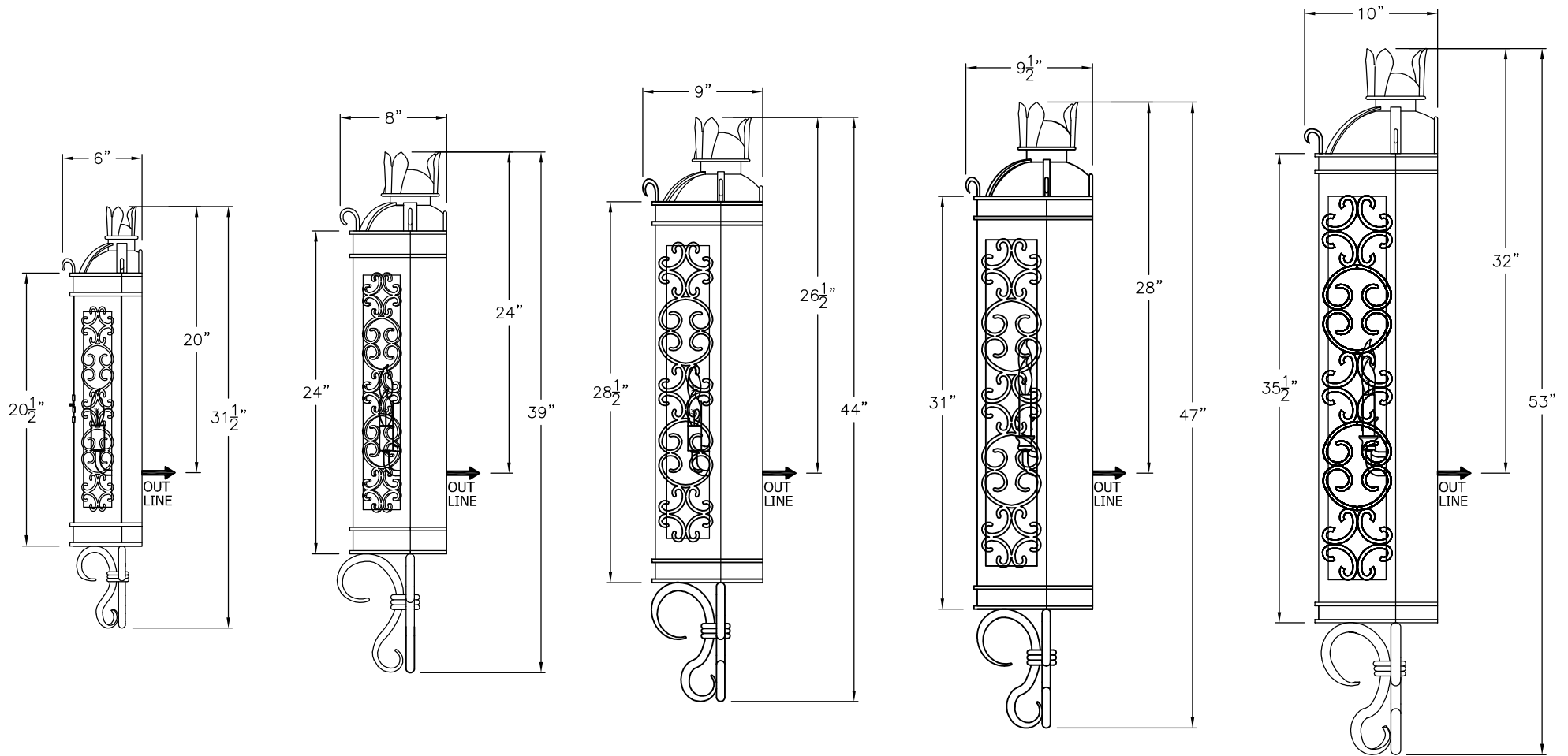
SOLARA

Iron Doors & Lighting



Victory - E007





SMALL
E-007-001

10" W X 31 $\frac{1}{2}$ " H X 6" D

MEDIUM
E-007-002

12" W X 39" H X 8" D

LARGE
E-007-003

13 $\frac{1}{2}$ " W X 44" H X 9" D

XLARGE
E-007-004

15" W X 47" H X 9 $\frac{1}{2}$ " D

XXLARGE
E-007-005

15 $\frac{1}{2}$ " W X 53" H X 10" D

ONLY AVAILABLE
IN ELECTRIC

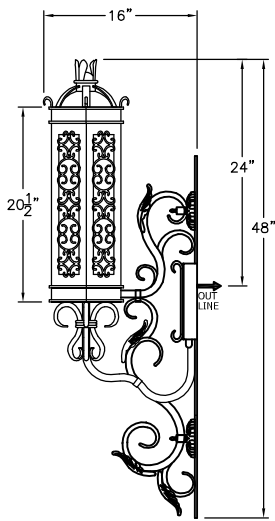
* ACTUAL DIMENSIONS MAY VARY UP TO 1/2"

CUSTOM DRAWING CHANGES:

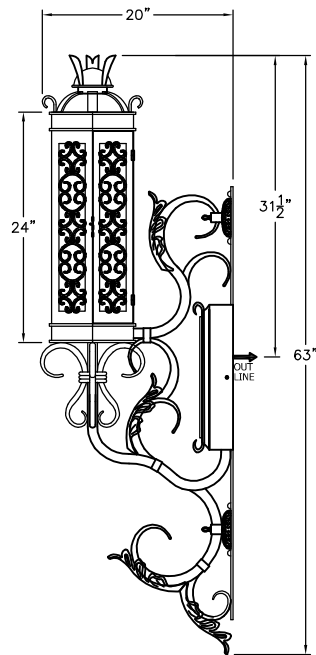
© 2011 SOLARA ENCHAINMENT
UNAUTHORIZED USE OF THIS
PLAN IS IN VIOLATION OF THE
U.S. COPYRIGHT ACT TITLE 17
OF THE U.S. CODE.



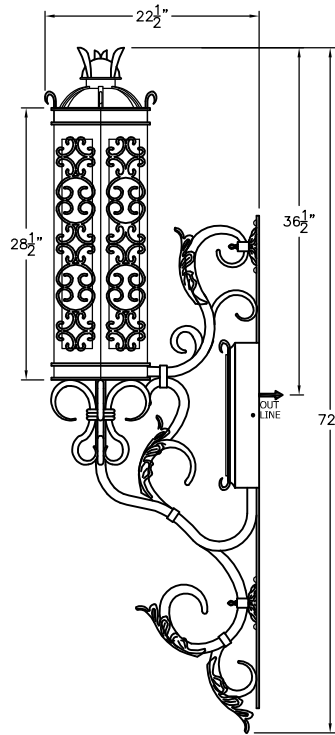
DESIGN:	VICTORY
LINE:	SCONCE MOUNT
FILE:	E-007-00SET-EL-S100-1
DATE REV:	07-MAR-11



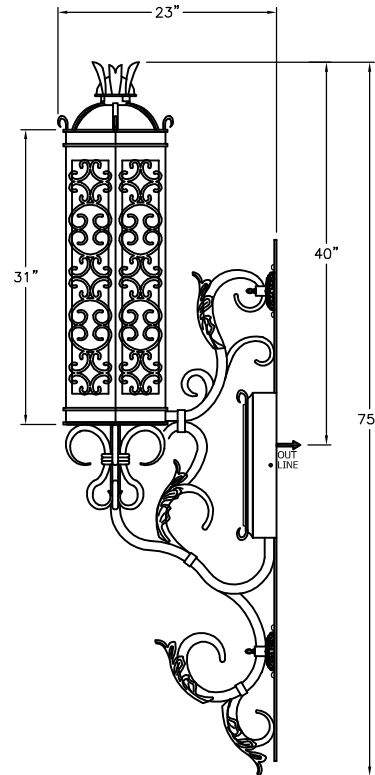
SMALL
E-007-011
10" W x 48" H x 16" D



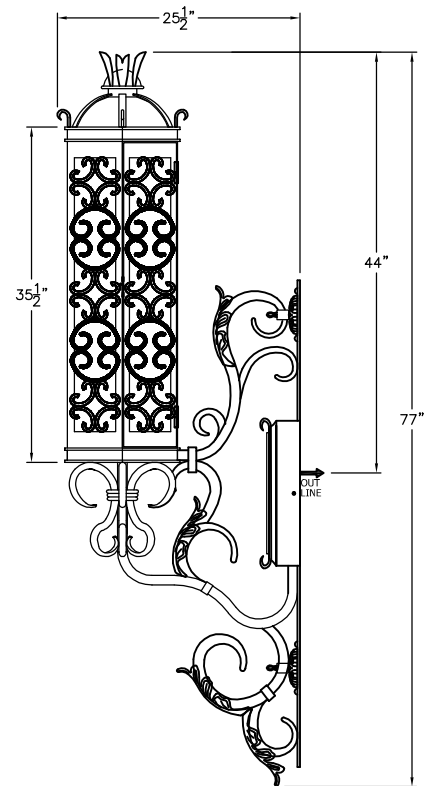
MEDIUM
E-007-012
12" W x 63" H x 20" D



LARGE
E-007-013
13 1/2" W x 72" H x 22 1/2" D



XLARGE
E-007-014
15" W x 75" H x 23" D



XXLARGE
E-007-015
15 1/2" W x 77" H x 25 1/2" D

AVAILABLE IN
GAS & ELECTRIC
WITH EXCEPTION
OF SMALL SIZE

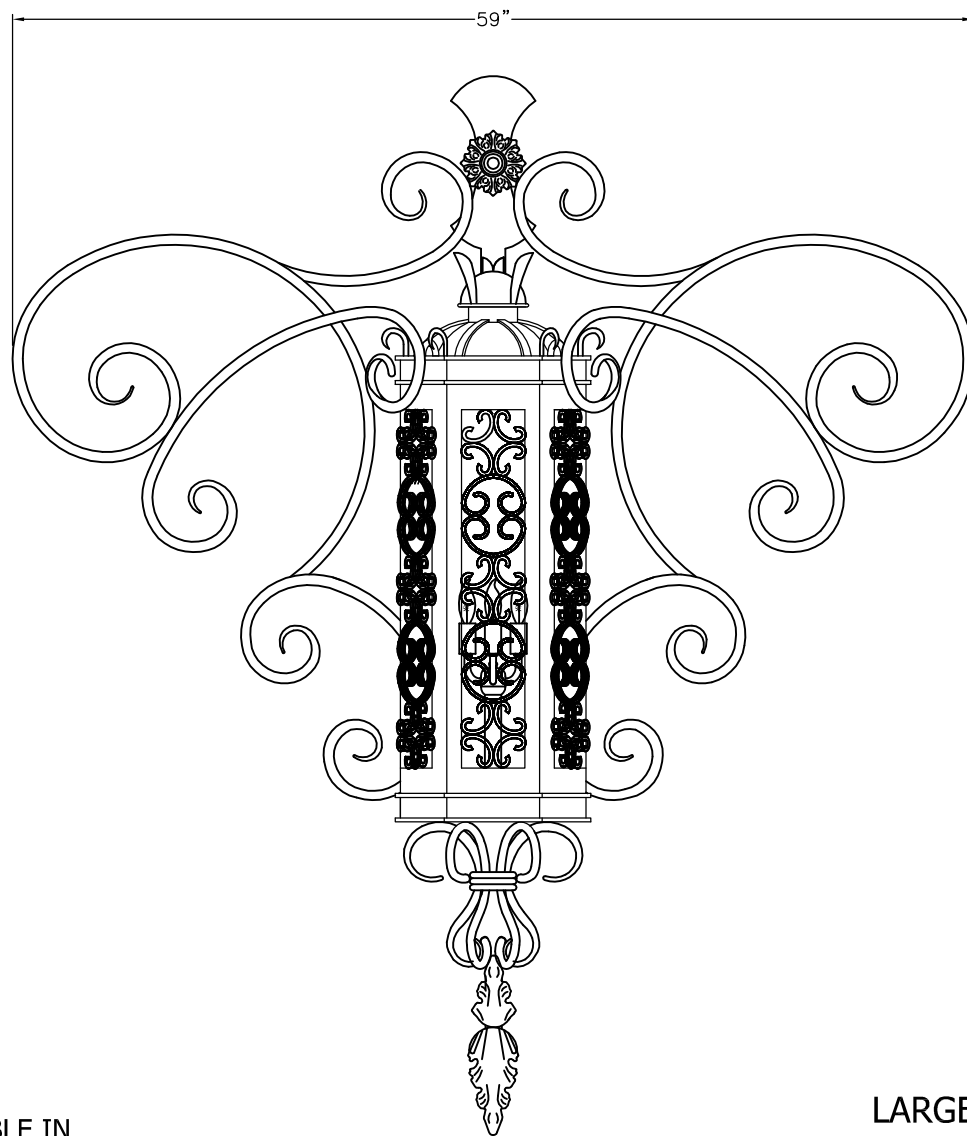
* ACTUAL DIMENSIONS MAY VARY UP TO 1/2"

CUSTOM DRAWING CHANGES:

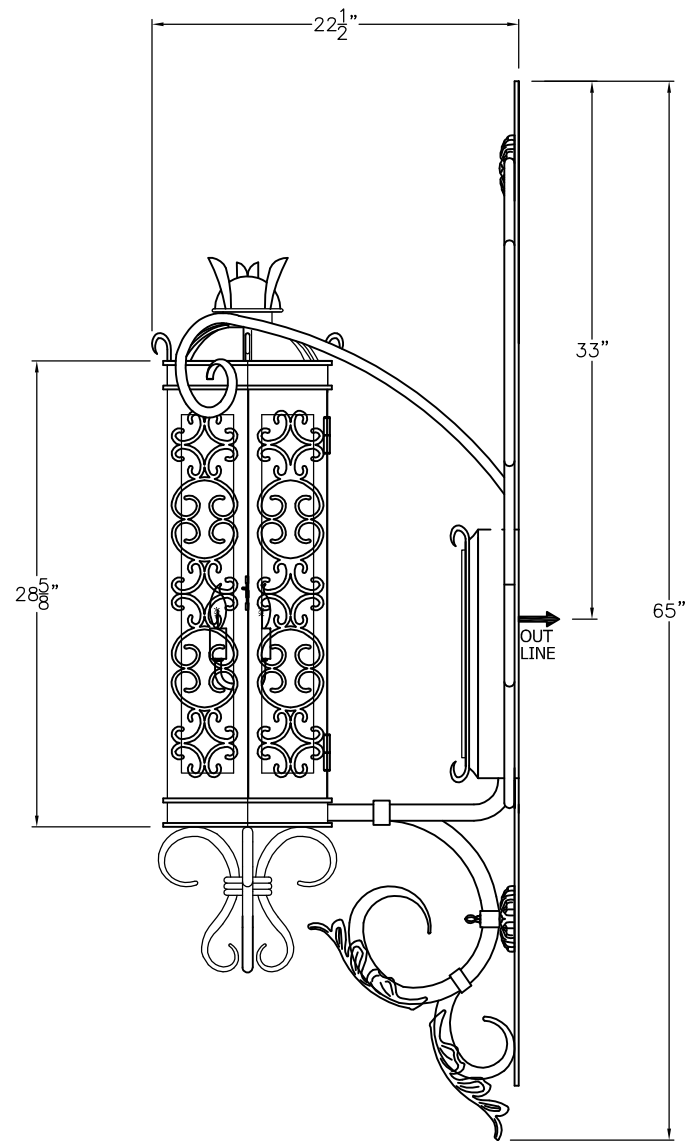
© 2010 SOLARA ENCHAINMENT
UNAUTHORIZED USE OF THIS
PLAN IS IN VIOLATION OF THE
U.S. COPYRIGHT ACT TITLE 17
OF THE U.S. CODE



DESIGN:	VICTORY
LINE:	WALL MOUNT
FILE:	E-007-01SET-EL-S100-2
DATE REV:	01-NOV-10



FRONT VIEW



SIDE VIEW

LARGE
E-007-023
59" W X 65" H X 22 1/2" D

AVAILABLE IN
GAS & ELECTRIC
WITH EXCEPTION
OF SMALL SIZE

CUSTOM DRAWING CHANGES:

© 2010 SOLARA ENCHAINMENT
UNAUTHORIZED USE OF THIS
PLAN IS IN VIOLATION OF THE
U.S. COPYRIGHT ACT TITLE 17
OF THE U.S. CODE

SOLARA

DESIGN: VICTORY

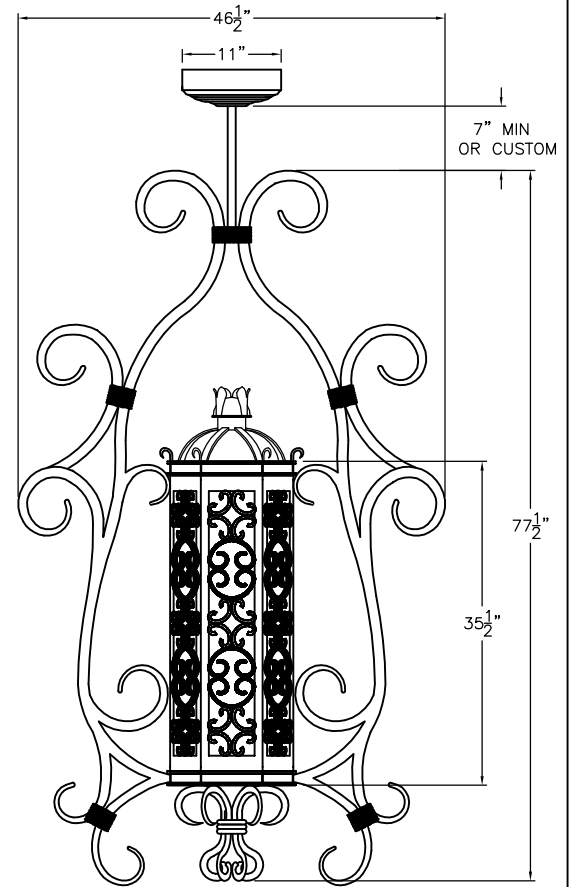
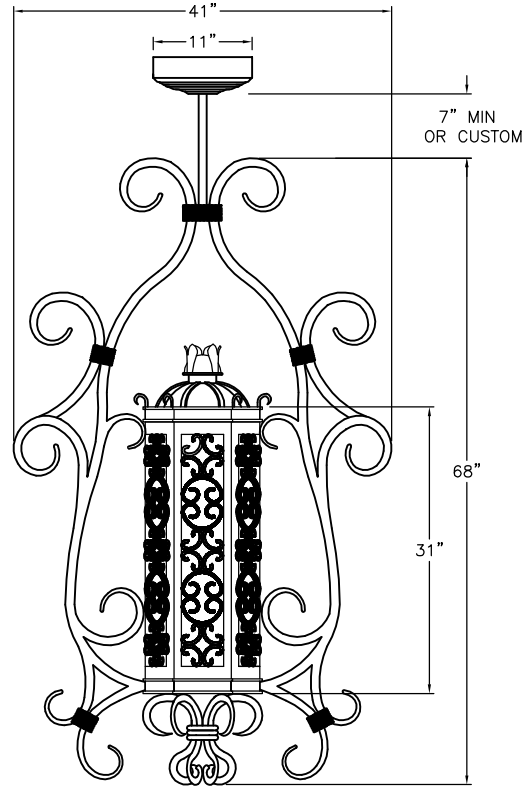
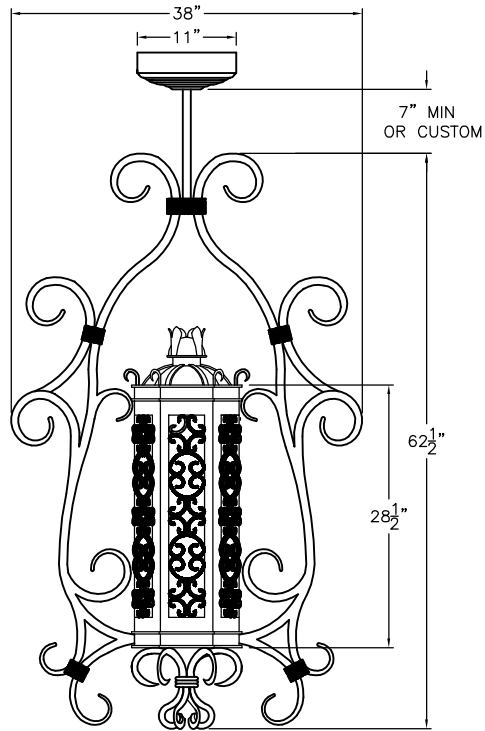
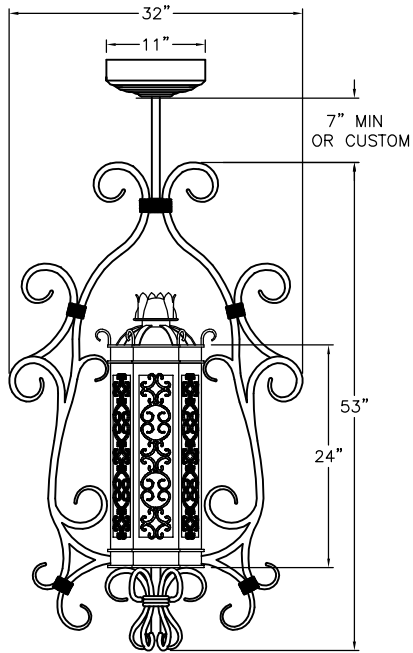
LINE: CENTRAL MOUNT

MODEL: E-007-023

SIZE: LARGE

FILE: E-007-023-EL-S100-1

DATE REV : 11-AUGUST-10



MEDIUM
E-007-03A2

32" W X 53" H X 10 1/2" D

LARGE
E-007-03A3

38" W X 62 1/2" H X 11 1/2" D

XLARGE
E-007-03A4

41" W X 68" H X 13" D

XXLARGE
E-007-03A5

46 1/2" W X 77 1/2" H X 13 1/2" D

AVAILABLE IN
GAS & ELECTRIC
WITH EXCEPTION
OF SMALL SIZE

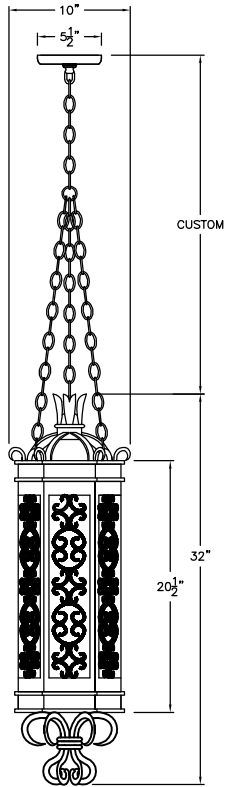
* ACTUAL DIMENSIONS MAY VARY UP TO 1/2"

CUSTOM DRAWING CHANGES:

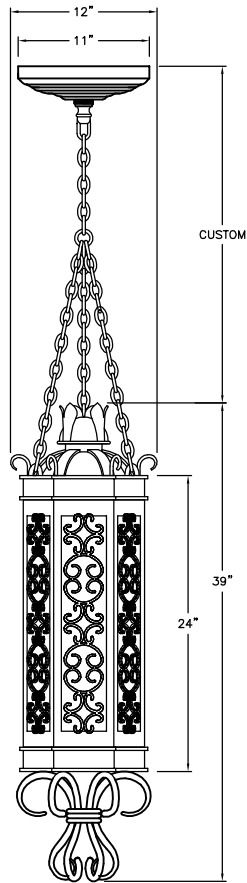
© 2011 SOLARA ENCHAINMENT
UNAUTHORIZED USE OF THIS
PLAN IS IN VIOLATION OF THE
U.S. COPYRIGHT ACT TITLE 17
OF THE U.S. CODE.



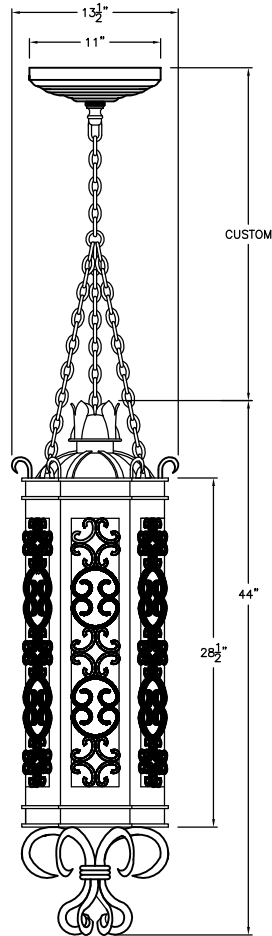
DESIGN:	VICTORY
LINE:	PENDANT STEM
FILE:	E-007-03ASET-EG-S100-1
DATE REV:	22-JUNE-11



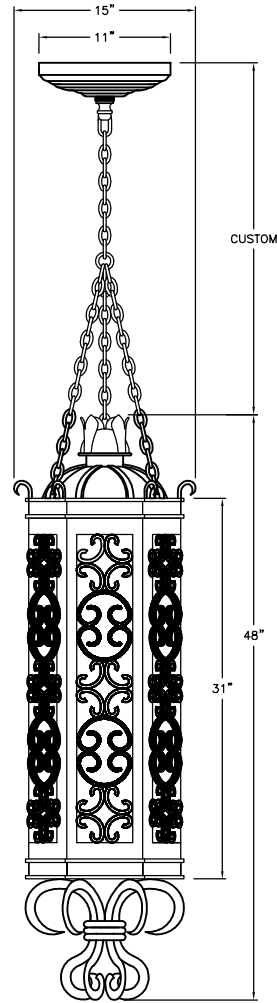
SMALL
E-007-041
10" W X 32" H X 8½" D



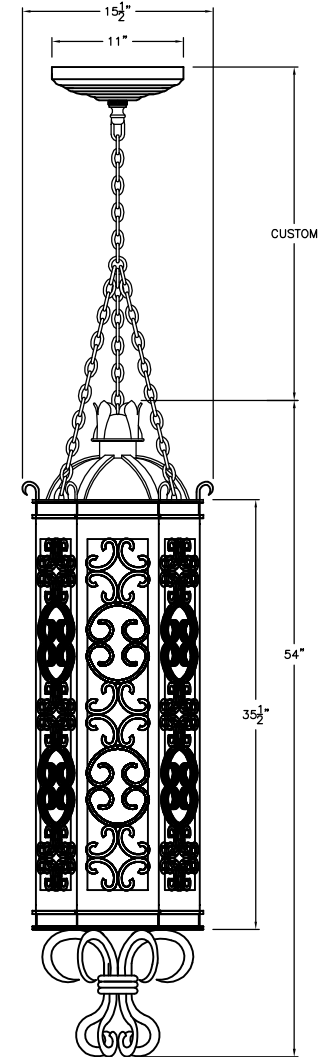
MEDIUM
E-007-042
12" W X 39" H X 10½" D



LARGE
E-007-043
13½" W X 44" H X 11½" D



XLARGE
E-007-044
15" W X 48" H X 13" D



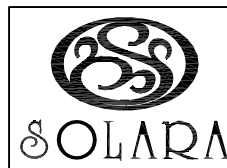
XXLARGE
E-007-045
15½" W X 54" H X 13½" D

ONLY AVAILABLE
IN ELECTRIC

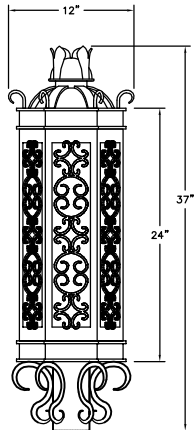
* ACTUAL DIMENSIONS MAY VARY UP TO 1/2"

CUSTOM DRAWING CHANGES:

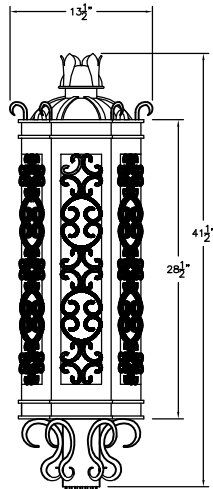
© 2011 SOLARA ENCHAINMENT
UNAUTHORIZED USE OF THIS
PLAN IS IN VIOLATION OF THE
U.S. COPYRIGHT ACT TITLE 17
OF THE U.S. CODE.



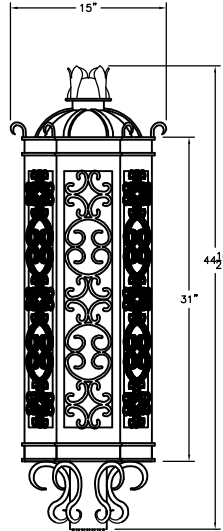
DESIGN:	VICTORY
LINE:	PENDANT CHAIN
FILE:	E-007-04SET-EL-S100-1
DATE REV:	08-FEB-11



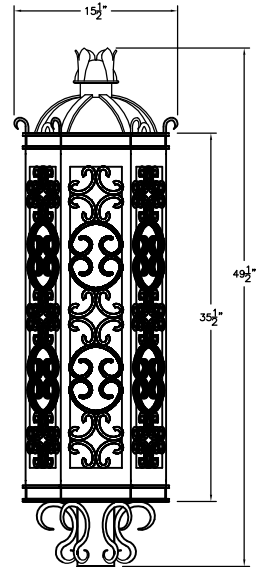
MEDIUM
E-007-052
12" W X 37" H X 10½" D



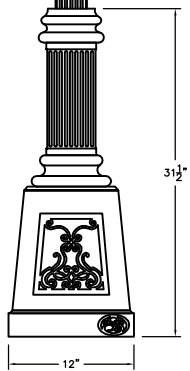
LARGE
E-007-053
13½" W X 41½" H X 11½" D



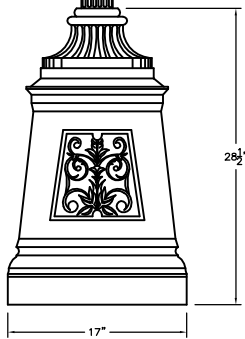
XLARGE
E-007-054
15" W X 44½" H X 13" D



XXLARGE
E-007-055
15½" W X 49½" H X 13½" D



SOLARA BASE



MUNICH BASE

AVAILABLE IN
GAS & ELECTRIC
WITH EXCEPTION
OF SMALL SIZE

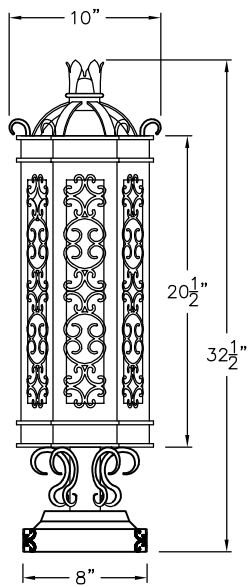
* POST ARE SOLD SEPARATELY
* ACTUAL DIMENSIONS MAY VARY UP TO 1/2"

CUSTOM DRAWING CHANGES:

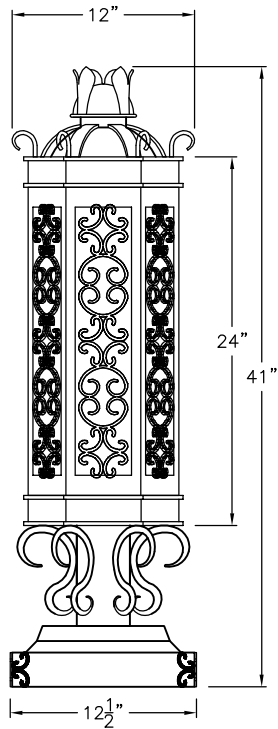
© 2011 SOLARA ENCHAINMENT
UNAUTHORIZED USE OF THIS
PLAN IS IN VIOLATION OF THE
U.S. COPYRIGHT ACT TITLE 17
OF THE U.S. CODE.



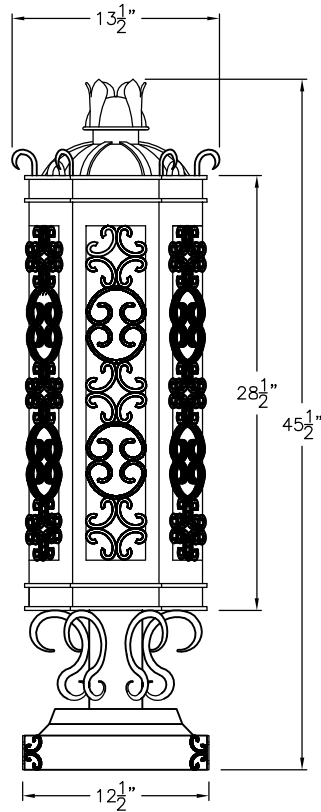
DESIGN:	VICTORY
LINE:	POST MOUNT
FILE:	E-007-05SET-EL-S100-1
DATE REV:	23-JUNE-11



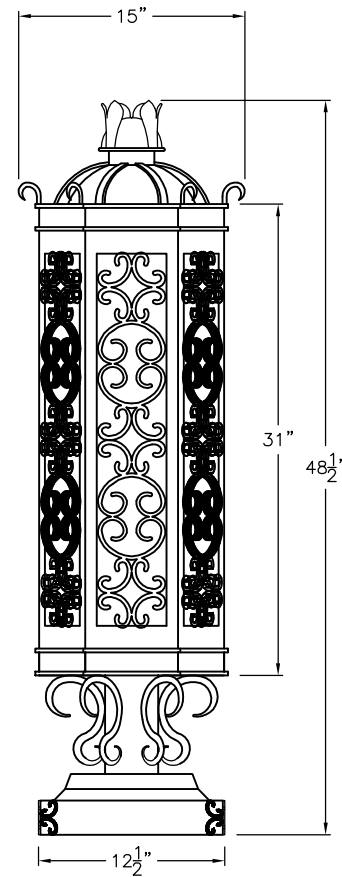
SMALL
E-007-061
10" W x 32 $\frac{1}{2}$ " H x 8 $\frac{1}{2}$ " D



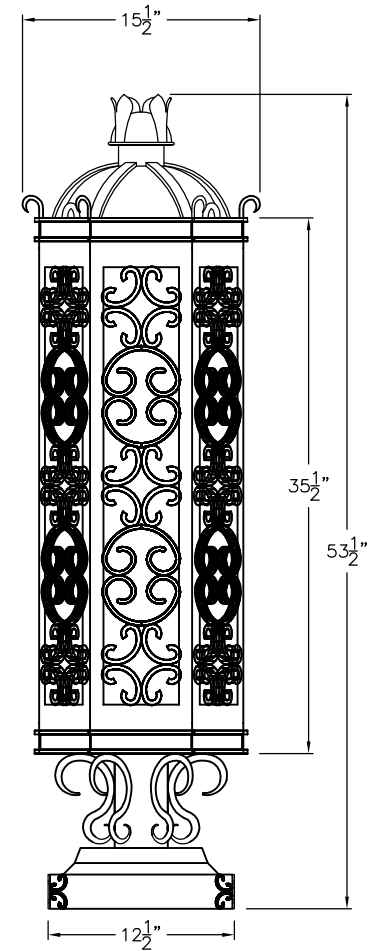
MEDIUM
E-007-062
12" W x 41" H x 12 $\frac{1}{2}$ " D



LARGE
E-007-063
13 $\frac{1}{2}$ " W x 45 $\frac{1}{2}$ " H x 12 $\frac{1}{2}$ " D



XLARGE
E-007-064
15" W x 48 $\frac{1}{2}$ " H x 13" D



XXLARGE
E-007-065
15 $\frac{1}{2}$ " W x 53 $\frac{1}{2}$ " H x 13 $\frac{1}{2}$ " D

AVAILABLE IN
GAS & ELECTRIC
WITH EXCEPTION
OF SMALL SIZE

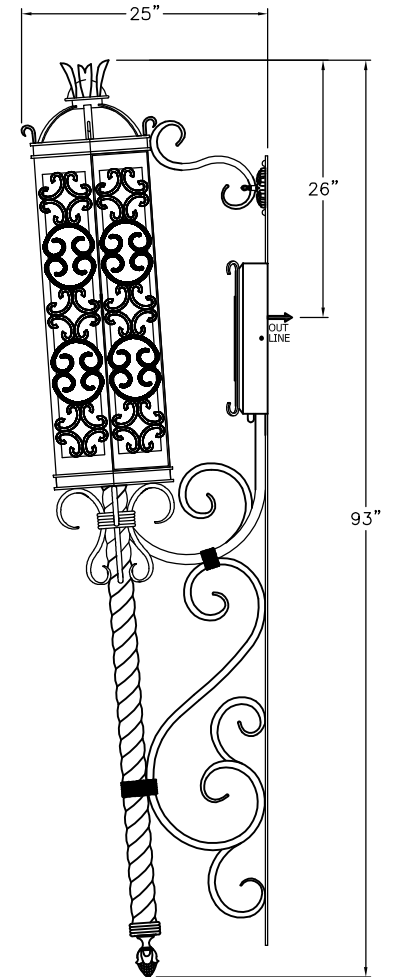
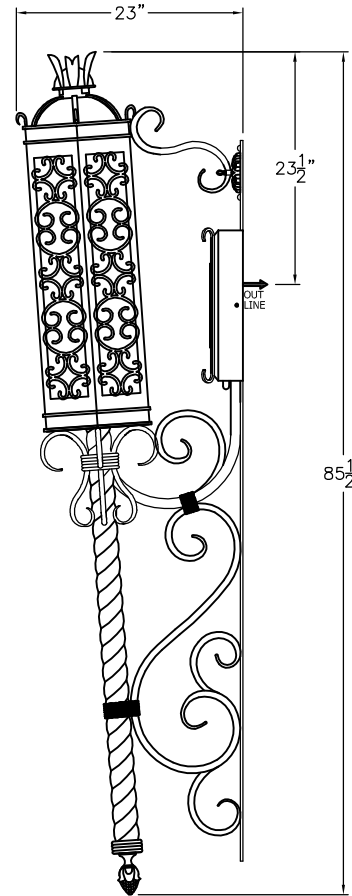
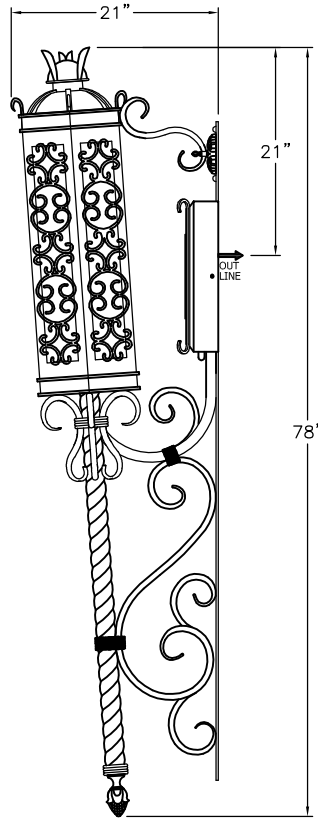
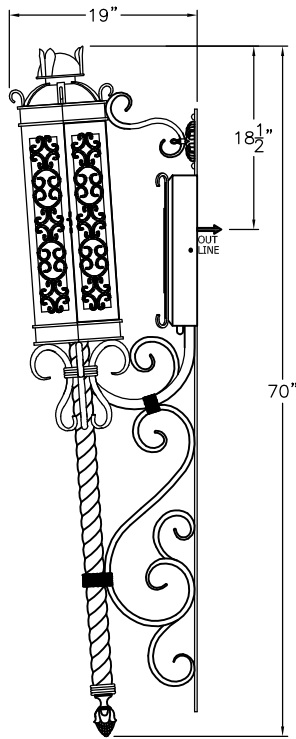
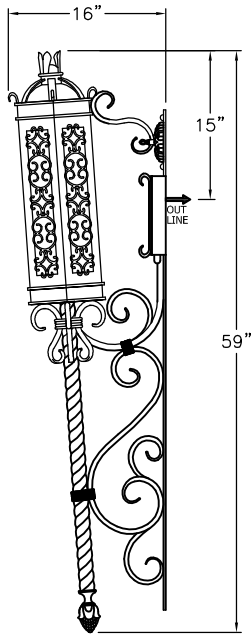
* ACTUAL DIMENSIONS MAY VARY UP TO 1/2"

CUSTOM DRAWING CHANGES:

© 2011 SOLARA ENCHAINMENT
UNAUTHORIZED USE OF THIS
PLAN IS IN VIOLATION OF THE
U.S. COPYRIGHT ACT TITLE 17
OF THE U.S. CODE



DESIGN:	VICTORY
LINE:	PIER MOUNT
FILE:	E-007-06SET-EL-S100-2
DATE REV:	23-JUNE-11



SMALL
E-007-081
10" W X 59" H X 16" D

MEDIUM
E-007-082
12" W X 70" H X 19" D

LARGE
E-007-083
13 1/2" W X 78" H X 21" D

XLARGE
E-007-084
15" W X 85 1/2" H X 23" D

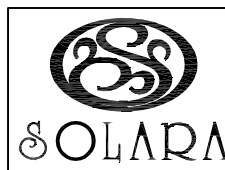
XXLARGE
E-007-085
15 1/2" W X 93" H X 25" D

AVAILABLE IN
GAS & ELECTRIC
WITH EXCEPTION
OF SMALL SIZE

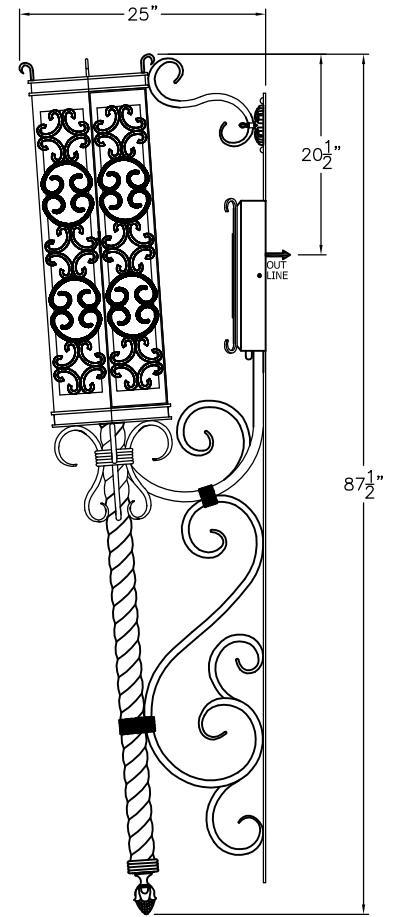
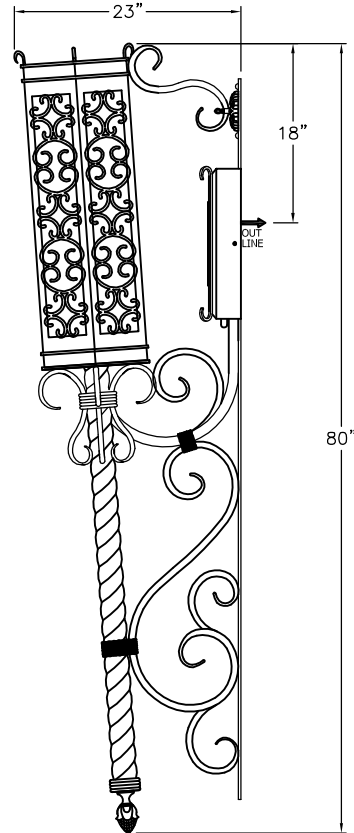
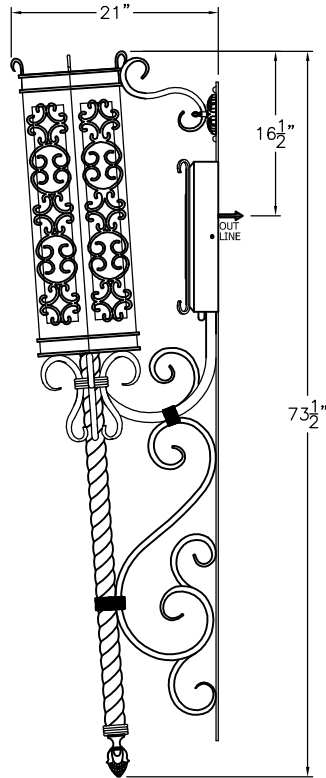
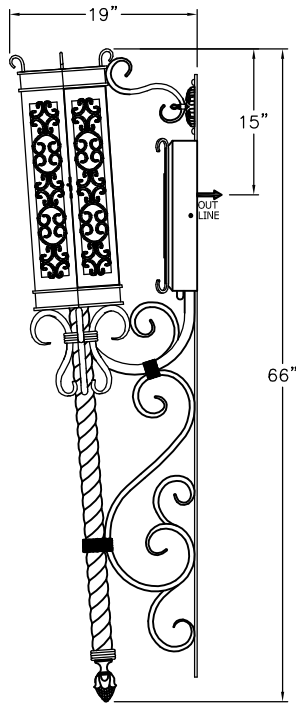
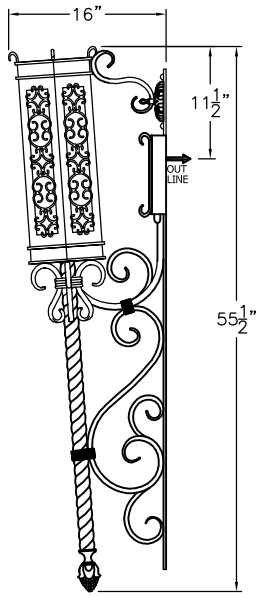
* ACTUAL DIMENSIONS MAY VARY UP TO 1/2"

CUSTOM DRAWING CHANGES:

© 2011 SOLARA ENCHAINMENT
UNAUTHORIZED USE OF THIS
PLAN IS IN VIOLATION OF THE
U.S. COPYRIGHT ACT TITLE 17
OF THE U.S. CODE.



DESIGN:	VICTORY
LINE:	TORCH MOUNT
FILE:	E-007-08SET-EG-S100-1
DATE REV:	09-MAR-11



SMALL
E-007-091

10" W X 55 $\frac{1}{2}$ " H X 16" D

MEDIUM
E-007-092

12" W X 66" H X 19" D

LARGE
E-007-093

13 $\frac{1}{2}$ " W X 73 $\frac{1}{2}$ " H X 21" D

XLARGE
E-007-094

15" W X 80" H X 23" D

XXLARGE
E-007-095

15 $\frac{1}{2}$ " W X 87 $\frac{1}{2}$ " H X 25" D

AVAILABLE IN
GAS & ELECTRIC
WITH EXCEPTION
OF SMALL SIZE

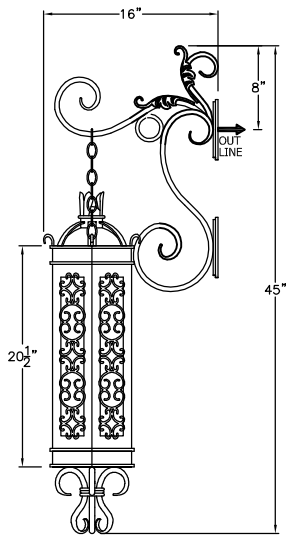
* ACTUAL DIMENSIONS MAY VARY UP TO 1/2"

CUSTOM DRAWING CHANGES:

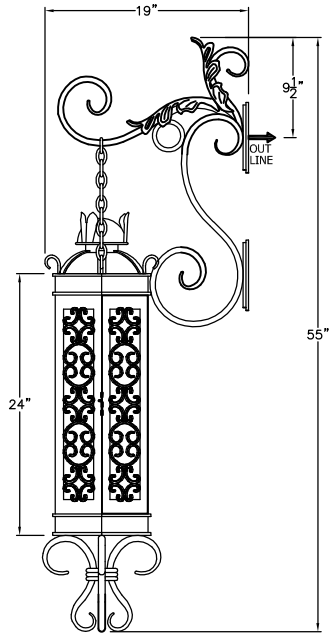
© 2011 SOLARA ENCHAINMENT
UNAUTHORIZED USE OF THIS
PLAN IS IN VIOLATION OF THE
U.S. COPYRIGHT ACT TITLE 17
OF THE U.S. CODE.



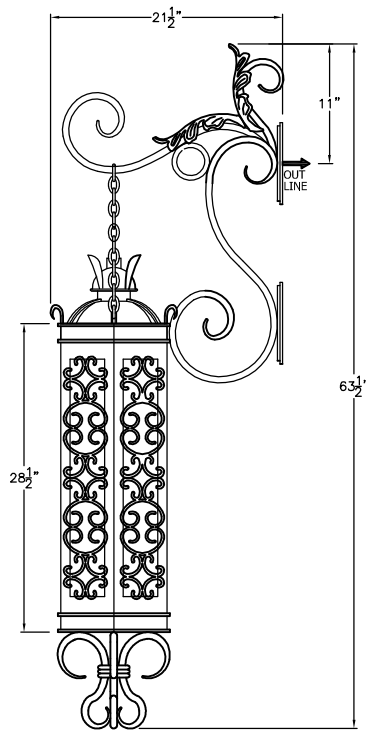
DESIGN:	VICTORY
LINE:	TORCH MOUNT
FILE:	E-007-09SET-EG-S100-1
DATE REV:	09-MAR-11



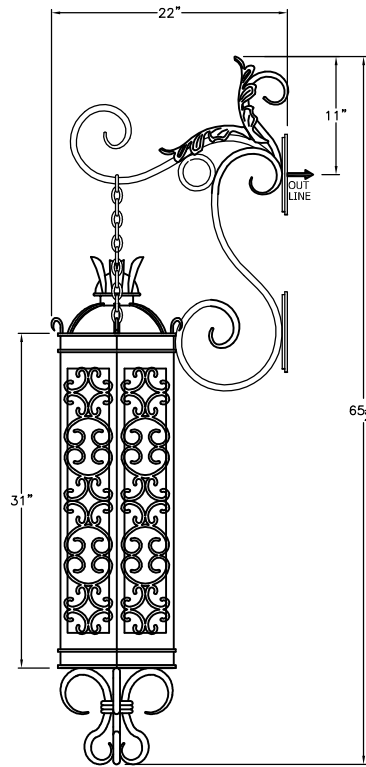
SMALL
E-007-101
10" W X 45" H X 16" D



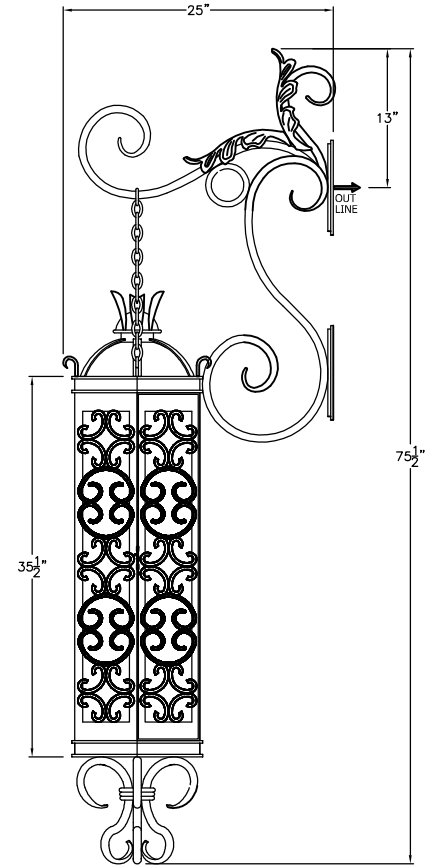
MEDIUM
E-007-102
12" W X 55" H X 19" D



LARGE
E-007-103
13 1/2" W X 63 1/2" H X 21 1/2" D



XLARGE
E-007-104
15" W X 65 1/2" H X 22" D



XLARGE
E-007-104
15 1/2" W X 75 1/2" H X 25" D

ONLY AVAILABLE
IN ELECTRIC

* ACTUAL DIMENSIONS MAY VARY UP TO 1/2"

CUSTOM DRAWING CHANGES:

© 2011 SOLARA ENCHAINMENT
UNAUTHORIZED USE OF THIS
PLAN IS IN VIOLATION OF THE
U.S. COPYRIGHT ACT TITLE 17
OF THE U.S. CODE.



DESIGN:	VICTORY
LINE:	HANGING MOUNT
FILE:	E-007-10SET-EL-S100-1
DATE REV:	09-MAR-11