



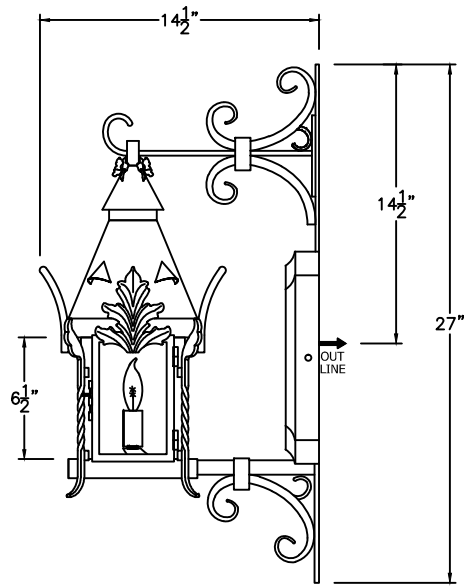
SOLARA

Iron Doors & Lighting



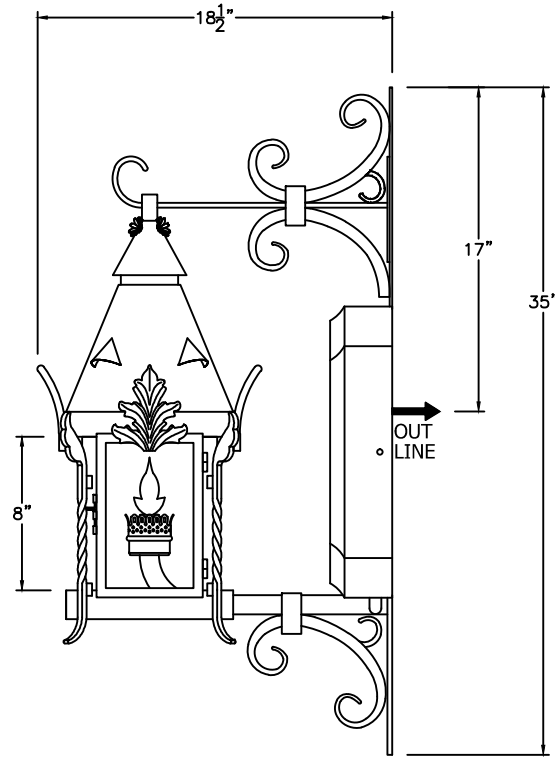
Granada - C014





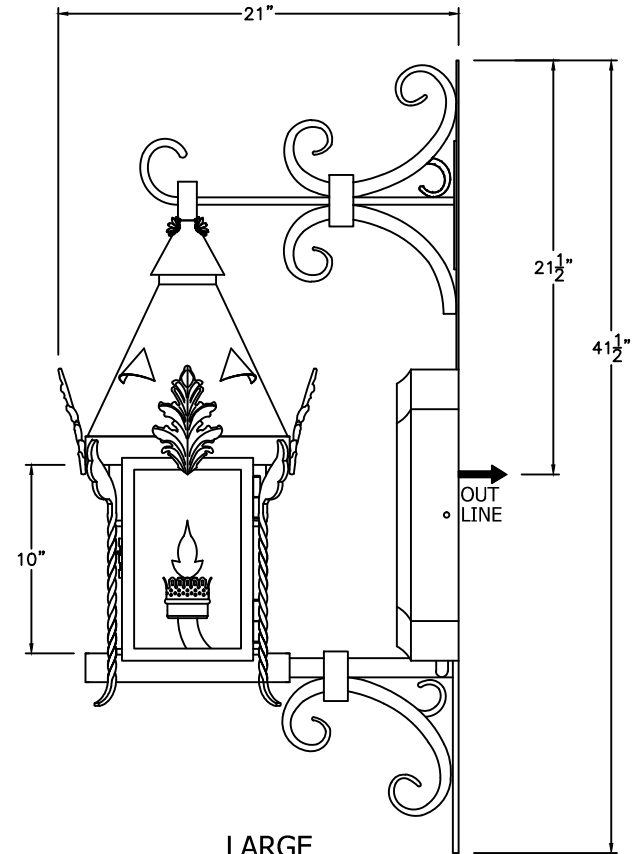
SMALL
C-014-011

9 1/2" W X 27" H X 14 1/2" D



MEDIUM
C-014-012

11 1/2" W X 35" H X 18 1/2" D



LARGE
C-014-013

13 1/2" W X 41 1/2" H X 21" D

AVAILABLE IN
GAS & ELECTRIC
WITH EXCEPTION
OF SMALL SIZE

* ACTUAL DIMENSIONS MAY VARY UP TO 1/2"

CUSTOM DRAWING CHANGES:

© 2013 SOLARA ENCHAINMENT
UNAUTHORIZED USE OF THIS
PLAN IS IN VIOLATION OF THE
U.S. COPYRIGHT ACT TITLE 17
OF THE U.S. CODE.



DESIGN:	GRANADA
LINE:	WALL MOUNT
FILE:	C-014-01SET-EG-S100-1
DATE REV:	24-ENE-14