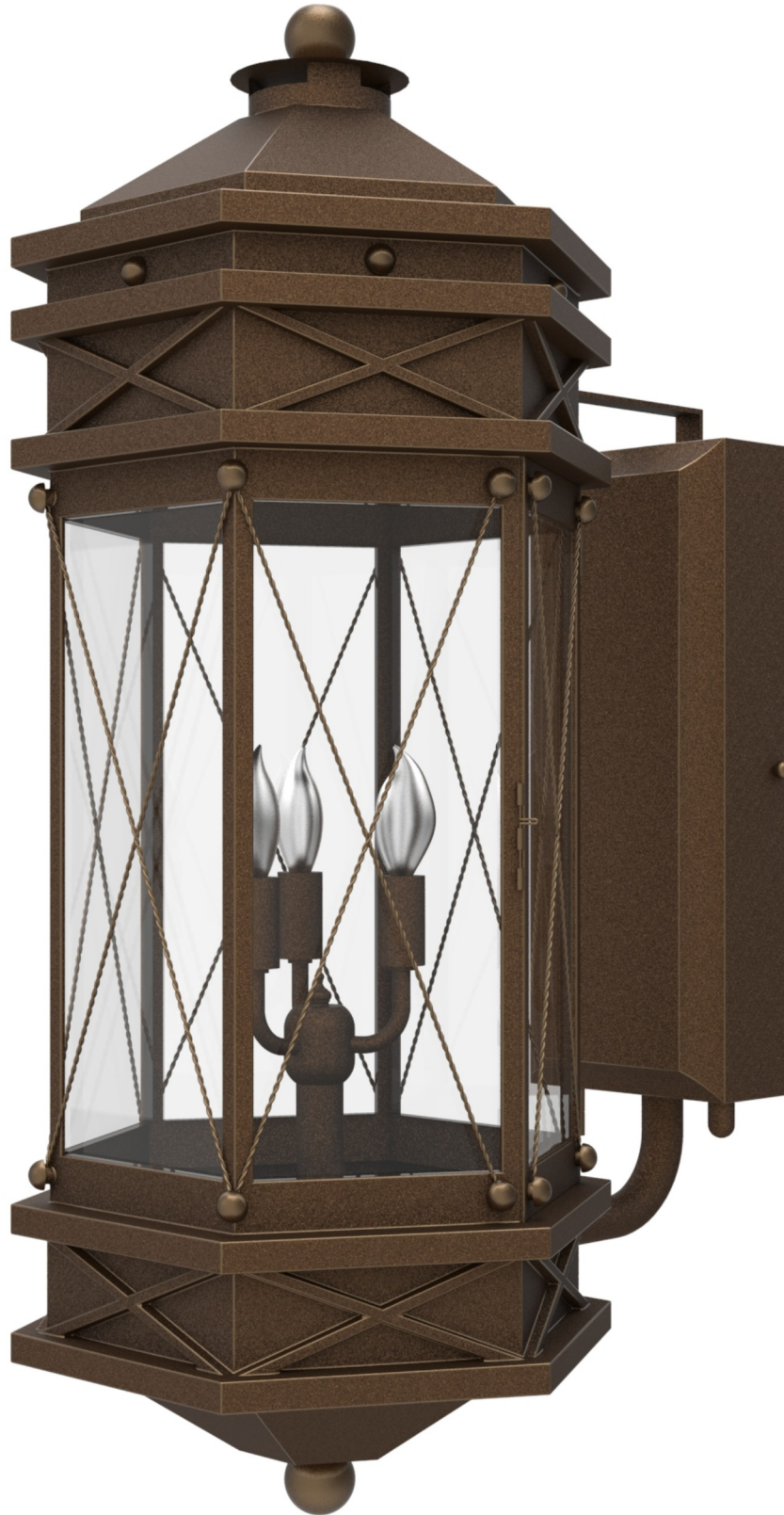




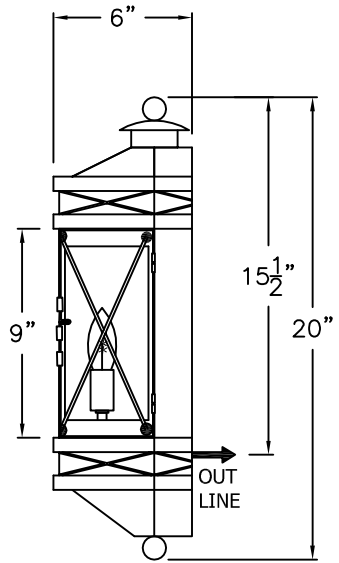
SOLARA

Iron Doors & Lighting

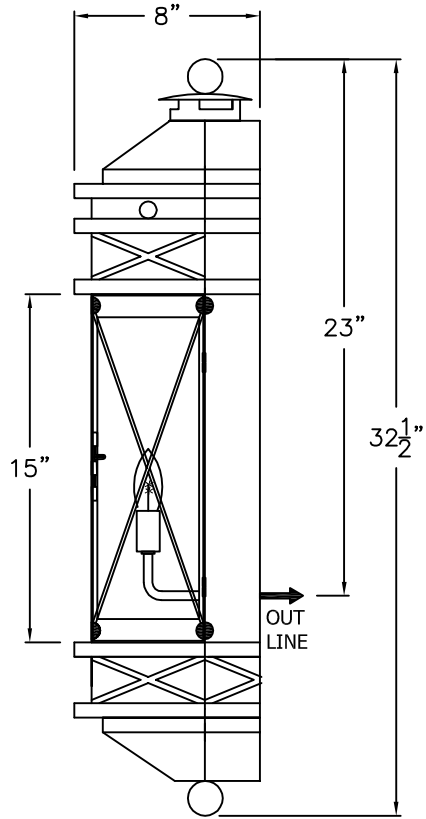


Harlequin - D008

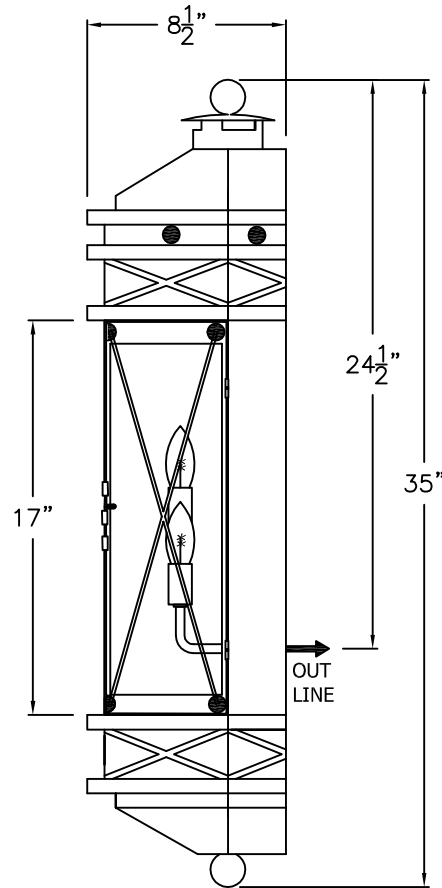




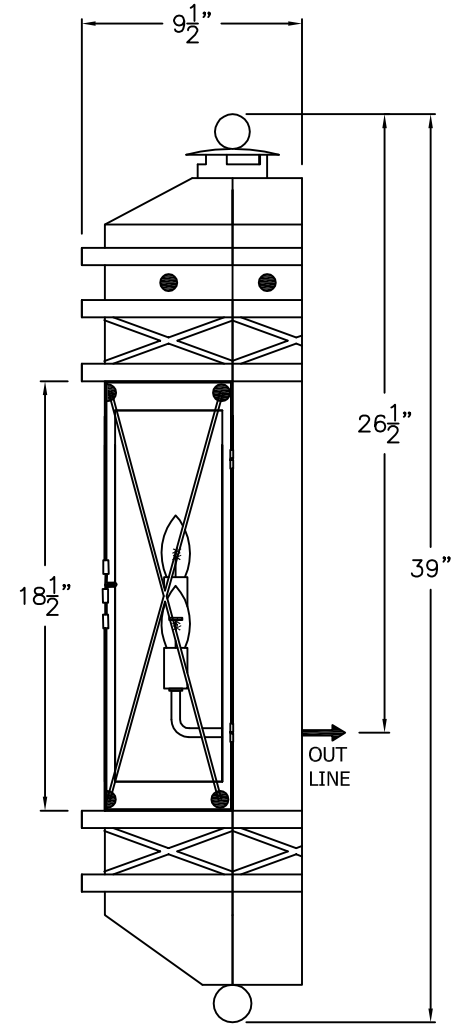
SMALL
D-008-001
10 1/2" W x 20" H x 6" D



MEDIUM
D-008-002
13" W x 32 1/2" H x 8" D



LARGE
D-008-003
13" W x 35" H x 8 1/2" D



XLARGE
D-008-004
15" W x 39" H x 9 1/2" D

ONLY AVAILABLE
IN ELECTRIC

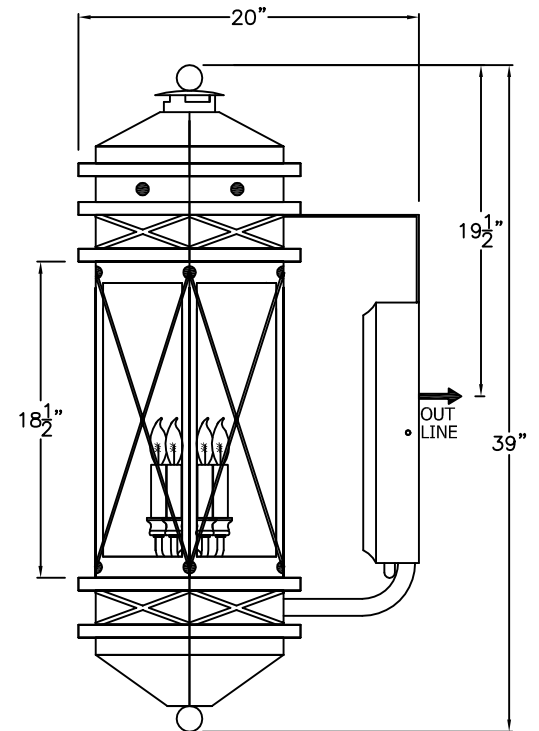
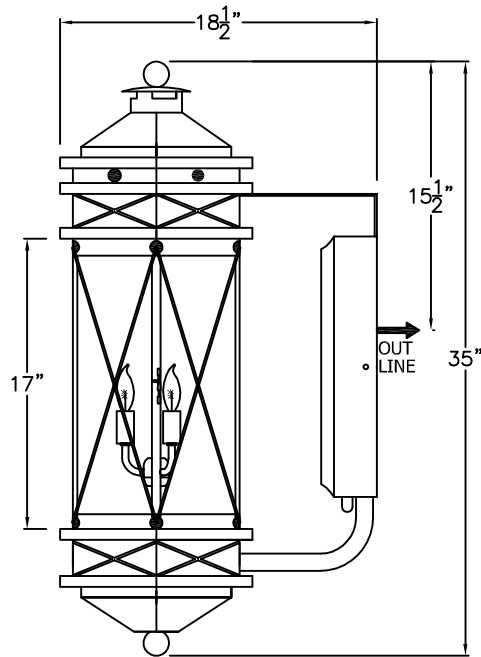
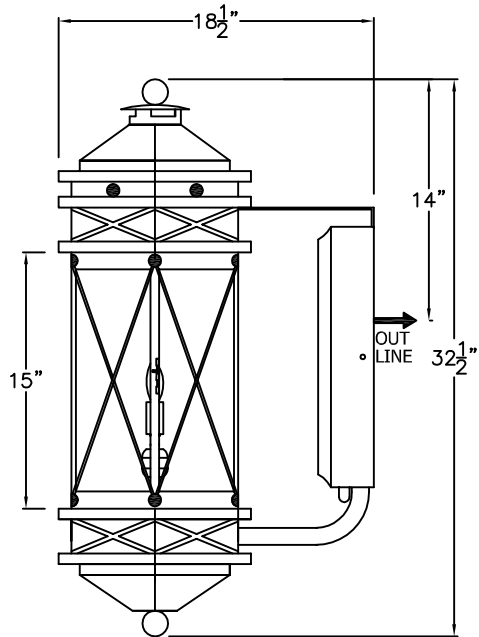
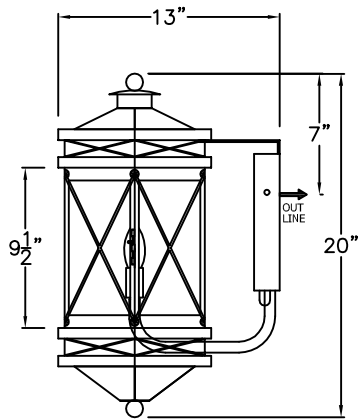
* ACTUAL DIMENSIONS MAY VARY UP TO 1/2"

CUSTOM DRAWING CHANGES:

© 2010 SOLARA ENCHAINMENT
UNAUTHORIZED USE OF THIS
PLAN IS IN VIOLATION OF THE
U.S. COPYRIGHT ACT TITLE 17
OF THE U.S. CODE.



DESIGN:	HARLEQUIN
LINE:	SCONCE MOUNT
FILE:	D-008-00SET-EL-S100-1
DATE REV:	09-AUGUST-10



SMALL
D-008-011

10 1/2" W x 20" H x 13" D

MEDIUM
D-008-012

13" W x 32 1/2" H x 18 1/2" D

LARGE
D-008-013

13" W x 35" H x 18 1/2" D

XLARGE
D-008-014

15" W x 39" H x 20" D

AVAILABLE IN
GAS & ELECTRIC
WITH EXCEPTION
OF SMALL SIZE

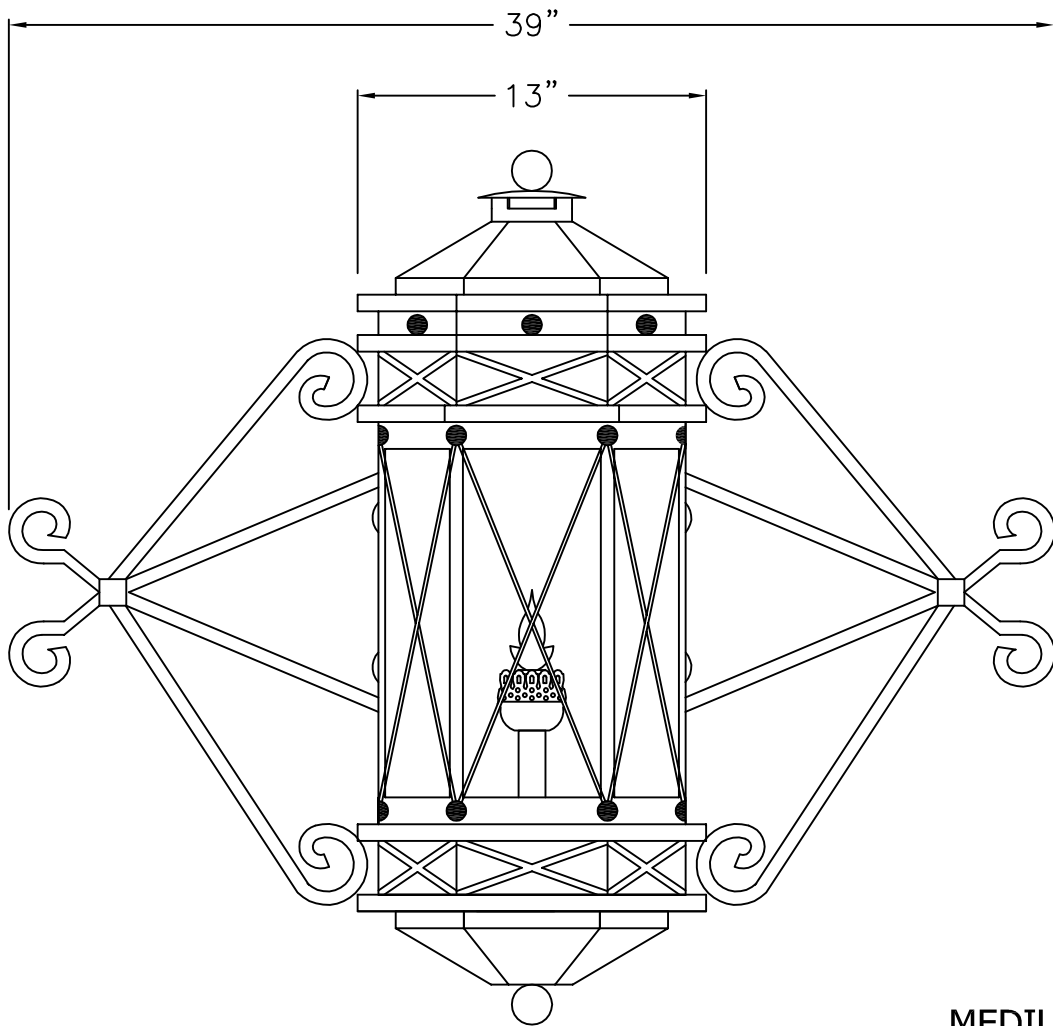
* ACTUAL DIMENSIONS MAY VARY UP TO 1/2"

CUSTOM DRAWING CHANGES:

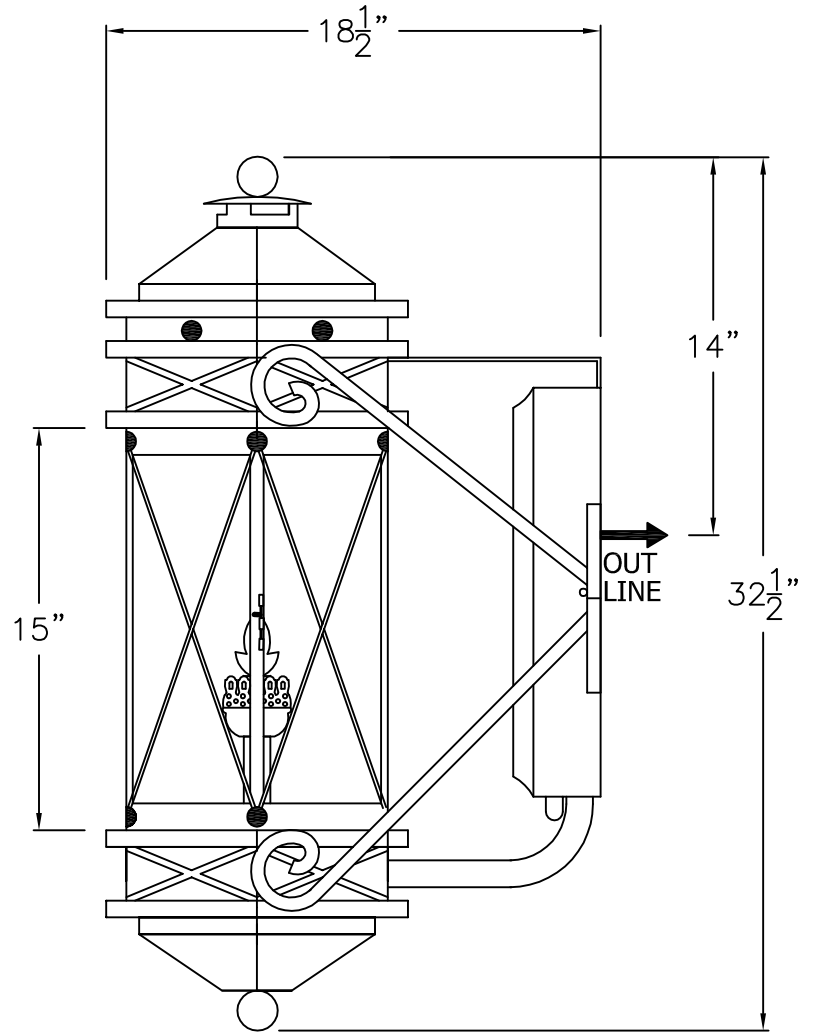
© 2010 SOLARA ENCHAINMENT
UNAUTHORIZED USE OF THIS
PLAN IS IN VIOLATION OF THE
U.S. COPYRIGHT ACT TITLE 17
OF THE U.S. CODE.



DESIGN:	HARLEQUIN
LINE:	WALL MOUNT
FILE:	D-008-01SET-EL-S100-2
DATE REV:	09-AUGUST-10



FRONT VIEW



SIDE VIEW

MEDIUM
D-008-022

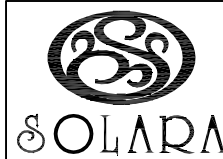
39" W x 32 1/2" H x 18 1/2" D

AVAILABLE IN
GAS & ELECTRIC
WITH EXCEPTION
OF SMALL SIZE

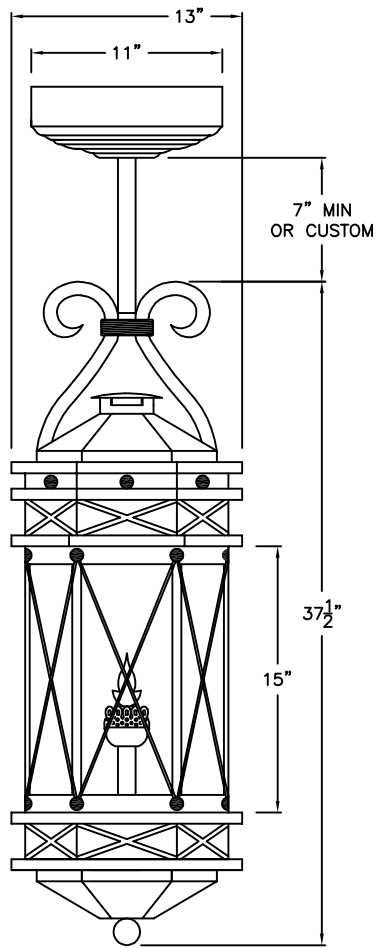
* ACTUAL DIMENSIONS MAY VARY UP TO 1/2"

CUSTOM DRAWING CHANGES:

© 2010 SOLARA ENCHAINMENT
UNAUTHORIZED USE OF THIS
PLAN IS IN VIOLATION OF THE
U.S. COPYRIGHT ACT TITLE 17
OF THE U.S. CODE.

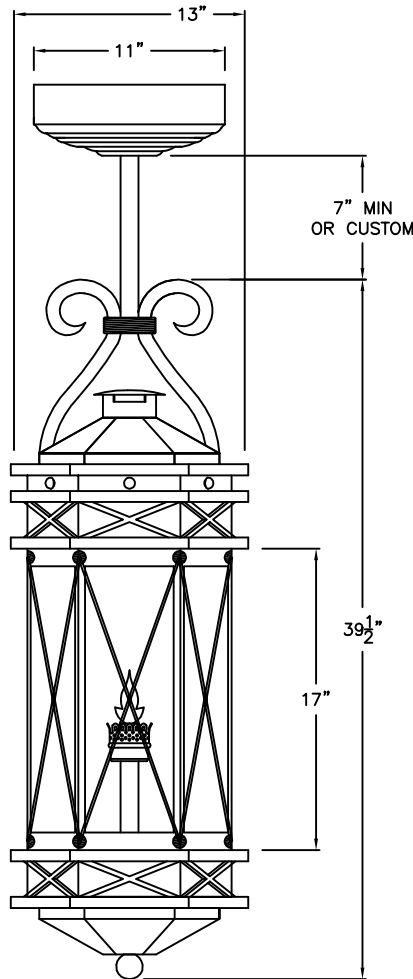


DESIGN:	HARLEQUIN
LINE:	CENTRAL MOUNT
FILE:	D-008-022-EG-S100-1
DATE REV:	09-AUGUST-10



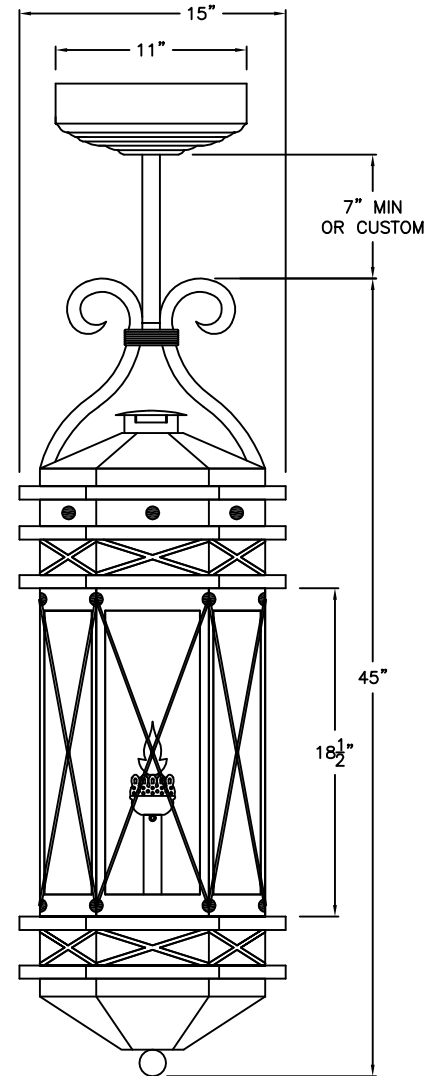
MEDIUM
D-008-032

13" W x 37 $\frac{1}{2}$ " H x 11 $\frac{1}{2}$ " D



LARGE
D-008-033

13" W x 39 $\frac{1}{2}$ " H x 11 $\frac{1}{2}$ " D



XLARGE
D-008-034

15" W x 45" H x 13" D

AVAILABLE IN
GAS & ELECTRIC
WITH EXCEPTION
OF SMALL SIZE

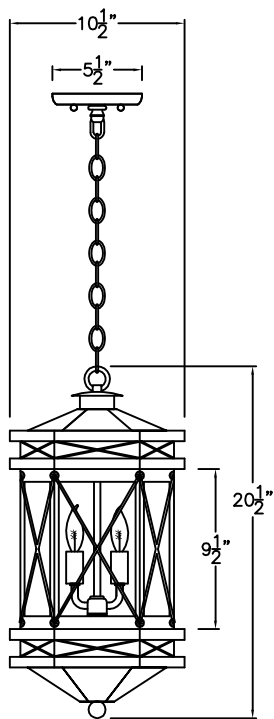
* ACTUAL DIMENSIONS MAY VARY UP TO 1/2"

CUSTOM DRAWING CHANGES:

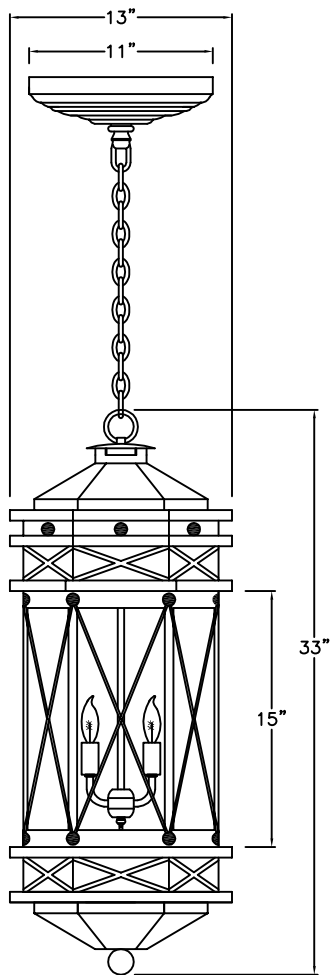
© 2011 SOLARA ENCHAINMENT
UNAUTHORIZED USE OF THIS
PLAN IS IN VIOLATION OF THE
U.S. COPYRIGHT ACT TITLE 17
OF THE U.S. CODE.



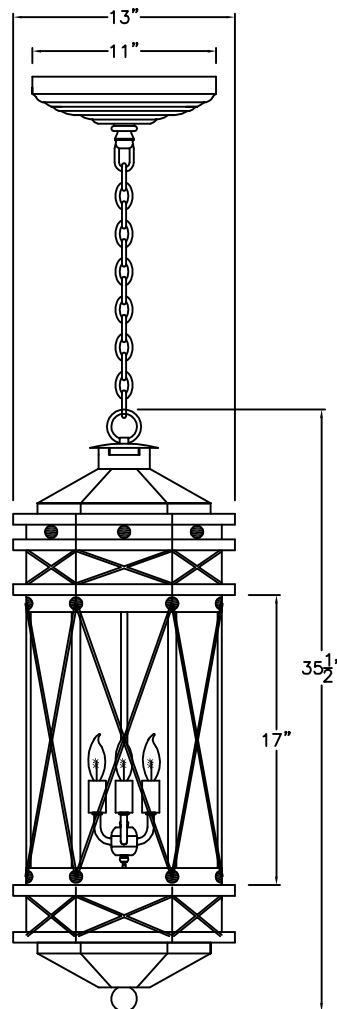
DESIGN:	HARLEQUIN
LINE:	PENDANT STEM
FILE:	D-008-03SET-EG-S100-2
DATE REV:	23-JUNE-11



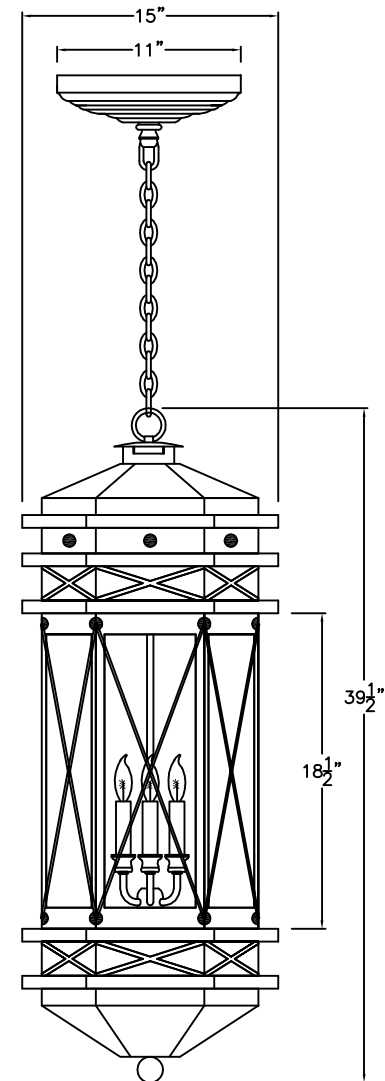
SMALL
D-008-041
10 1/2" W x 20 1/2" H x 9" D



MEDIUM
D-008-042
13" W x 33" H x 11 1/2" D



LARGE
D-008-043
13" W x 35 1/2" H x 11 1/2" D



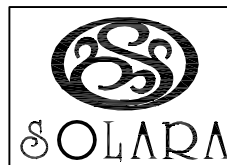
XLARGE
D-008-044
15" W x 39 1/2" H x 13" D

ONLY AVAILABLE
IN ELECTRIC

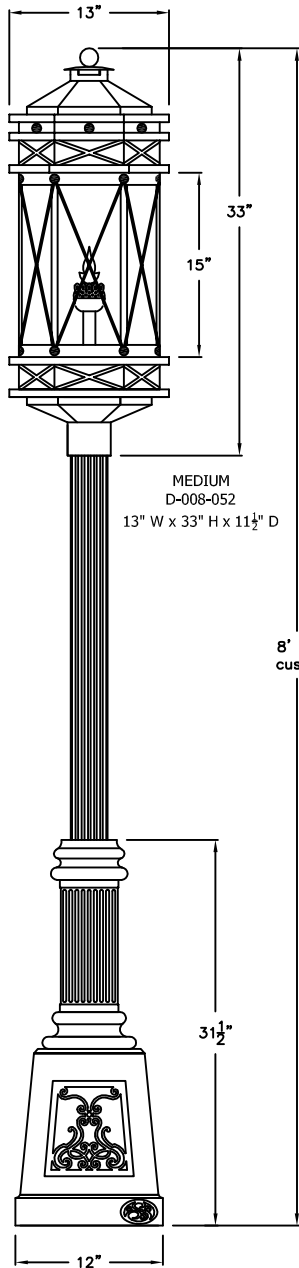
* ACTUAL DIMENSIONS MAY VARY UP TO 1/2"

CUSTOM DRAWING CHANGES:

© 2011 SOLARA ENCHAINMENT
UNAUTHORIZED USE OF THIS
PLAN IS IN VIOLATION OF THE
U.S. COPYRIGHT ACT TITLE 17
OF THE U.S. CODE.

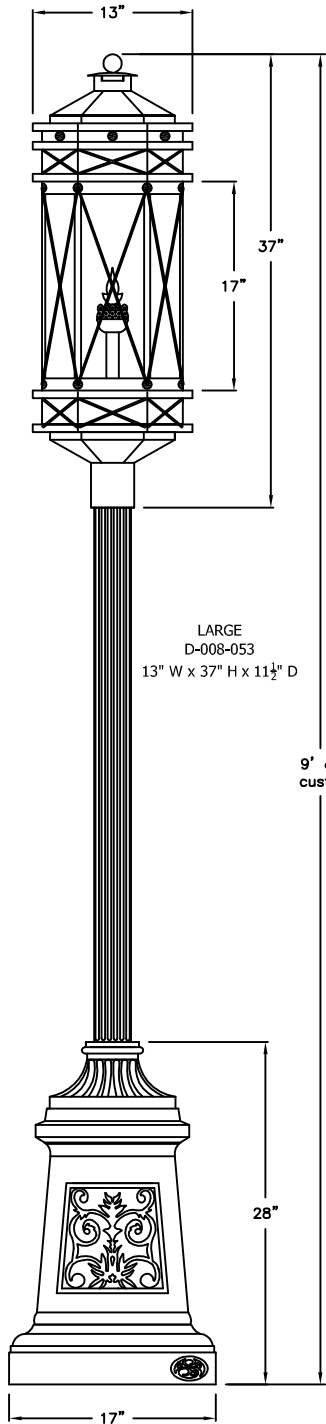


DESIGN:	HARLEQUIN
LINE:	PENDANT CHAIN
FILE:	D-008-04SET-EL-S100-2
DATE REV:	23-JUNE-11



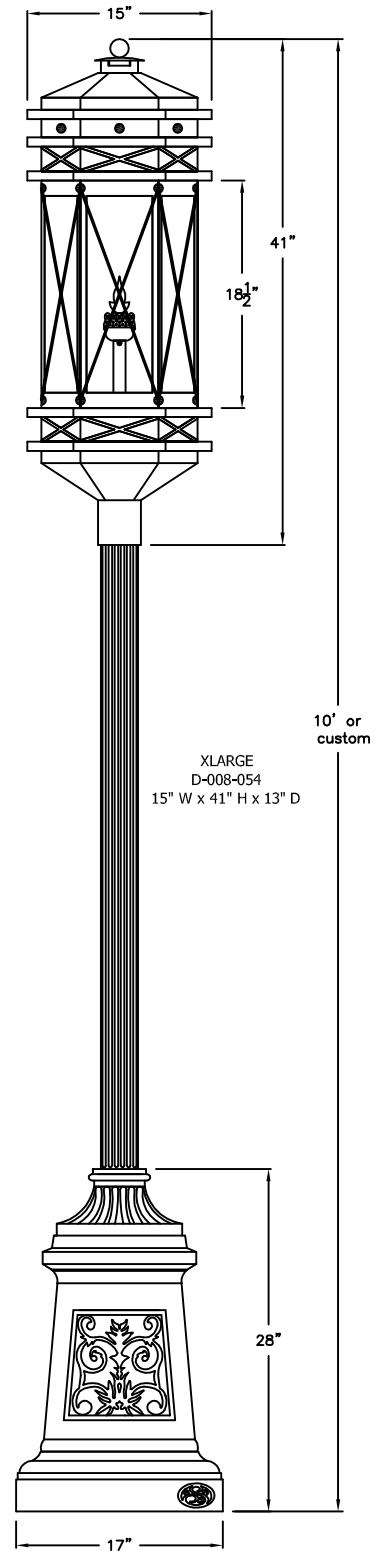
MEDIUM
D-008-052
13" W x 33" H x 11½" D

SOLARA BASE



LARGE
D-008-053
13" W x 37" H x 11½" D

MUNICH BASE



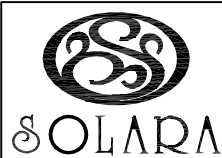
XLARGE
D-008-054
15" W x 41" H x 13" D

AVAILABLE IN
GAS & ELECTRIC
WITH EXCEPTION
OF SMALL SIZE

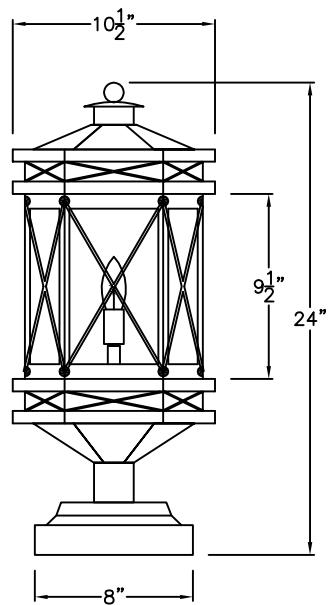
* POST ARE SOLD SEPARATELY
* ACTUAL DIMENSIONS MAY VARY UP TO 1/2"

CUSTOM DRAWING CHANGES:

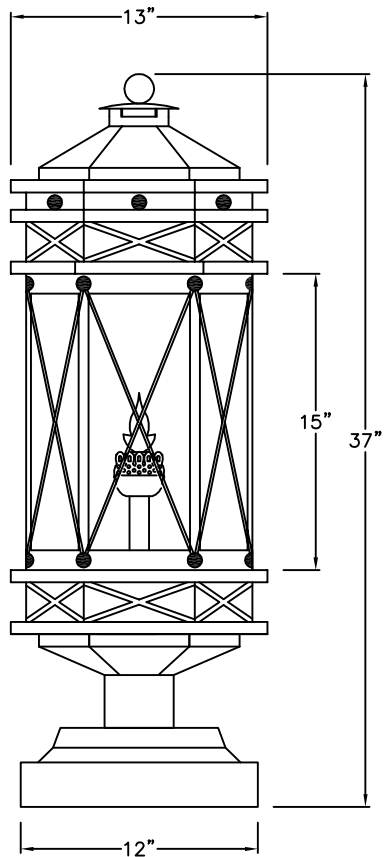
© 2010 SOLARA ENCHAINMENT
UNAUTHORIZED USE OF THIS
PLAN IS IN VIOLATION OF THE
U.S. COPYRIGHT ACT TITLE 17
OF THE U.S. CODE



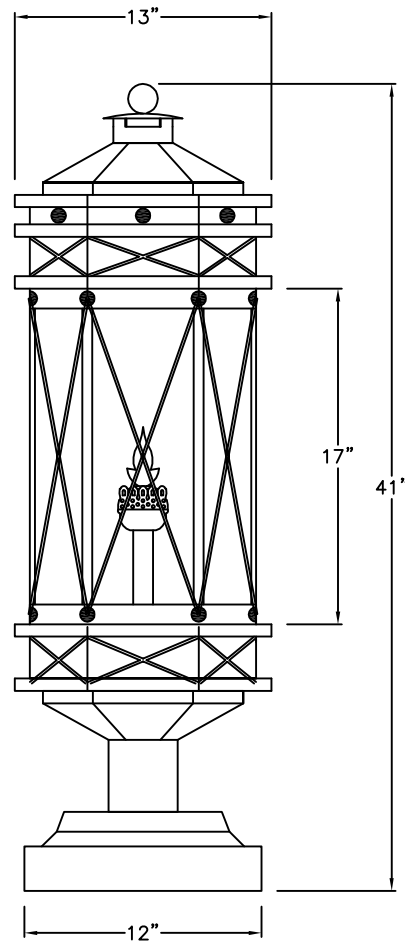
DESIGN: HARLEQUIN
LINE: POST MOUNT
FILE: D-008-05SET-EG-S100-2
DATE REV: 23-JUNE-11



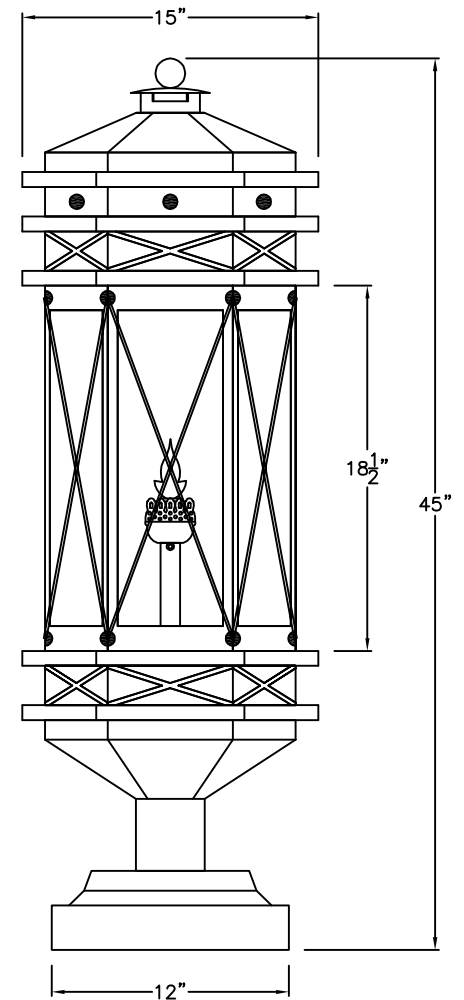
SMALL
D-008-061
10 1/2" W x 24" H x 9" D



MEDIUM
D-008-062
13" W x 37" H x 11 1/2" D



LARGE
D-008-063
13" W x 41" H x 11 1/2" D



XLARGE
D-008-064
15" W x 45" H x 13" D

AVAILABLE IN
GAS & ELECTRIC
WITH EXCEPTION
OF SMALL SIZE

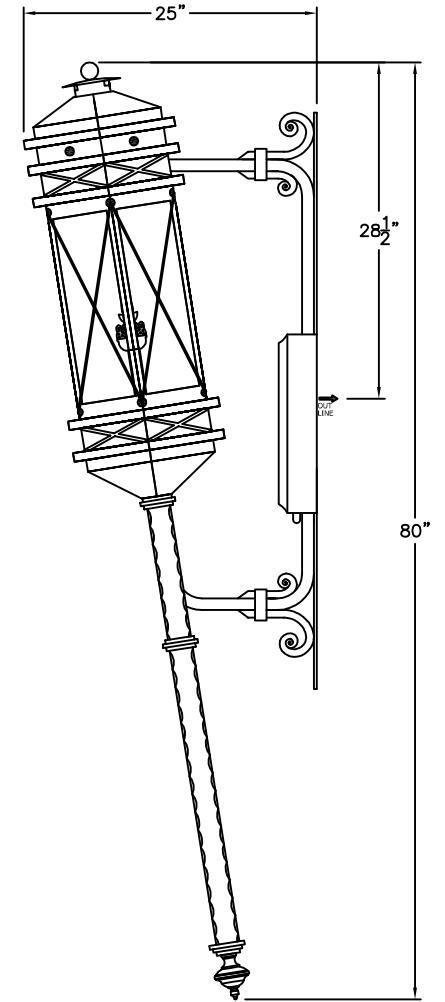
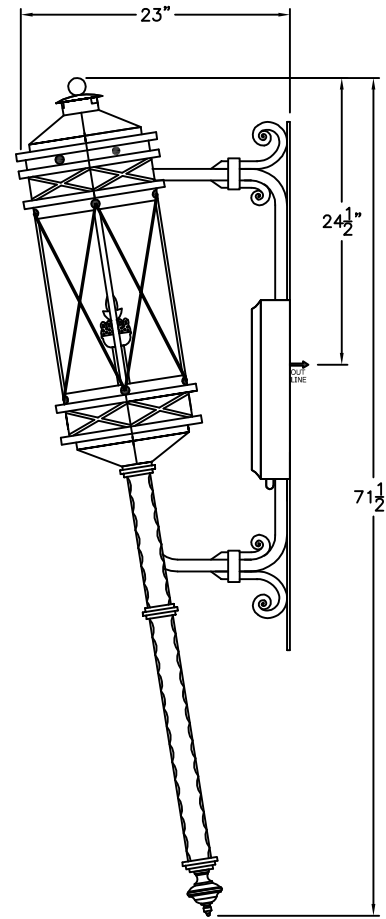
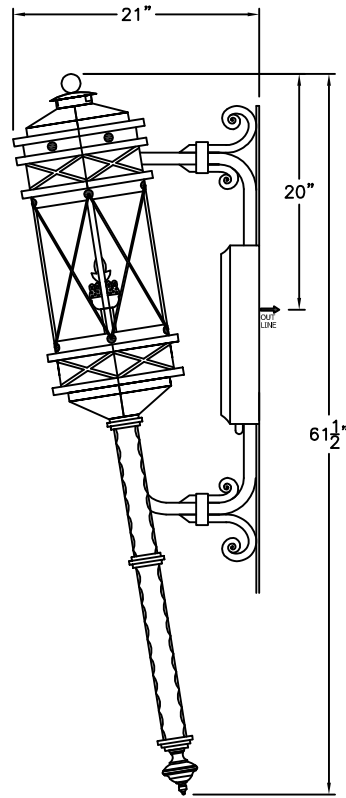
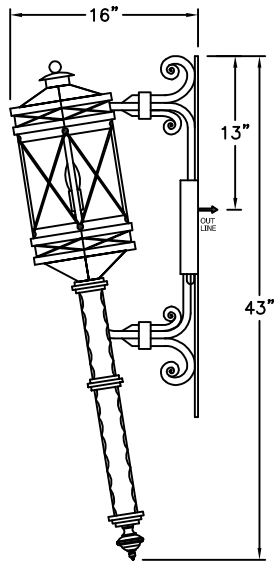
* ACTUAL DIMENSIONS MAY VARY UP TO 1/2"

CUSTOM DRAWING CHANGES:

© 2011 SOLARA ENCHAINMENT
UNAUTHORIZED USE OF THIS
PLAN IS IN VIOLATION OF THE
U.S. COPYRIGHT ACT TITLE 17
OF THE U.S. CODE.



DESIGN:	HARLEQUIN
LINE:	PIER MOUNT
FILE:	D-008-06SET-EG-S100-2
DATE REV:	23-JUNE-11



SMALL

D-008-081

10 1/2" W x 43" H x 16" D

MEDIUM

D-008-082

13" W x 61 1/2" H x 21" D

LARGE

D-008-083

13" W x 71 1/2" H x 23" D

XLARGE

D-008-084

15" W x 80" H x 25" D

AVAILABLE IN
GAS & ELECTRIC
WITH EXCEPTION
OF SMALL SIZE

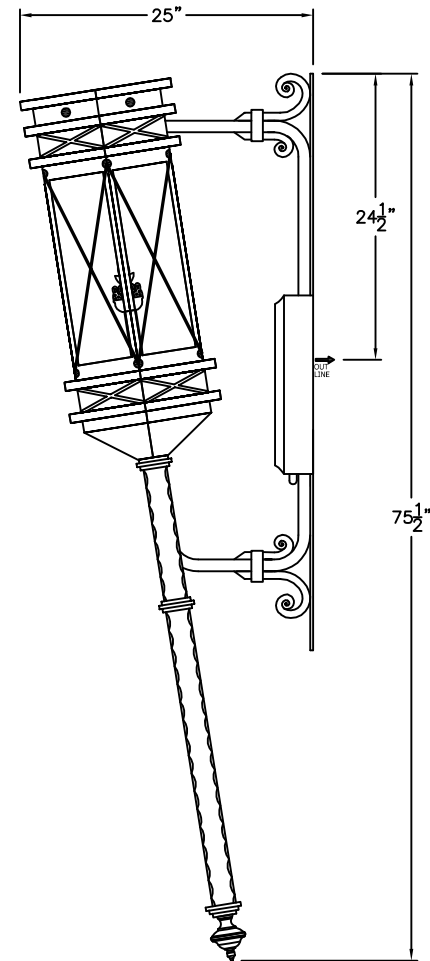
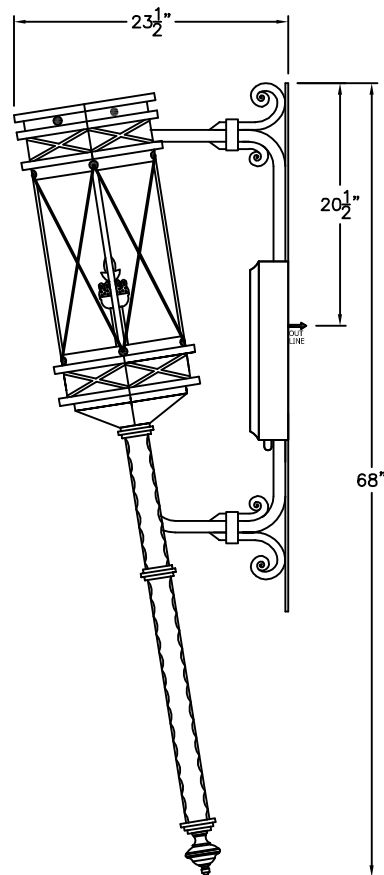
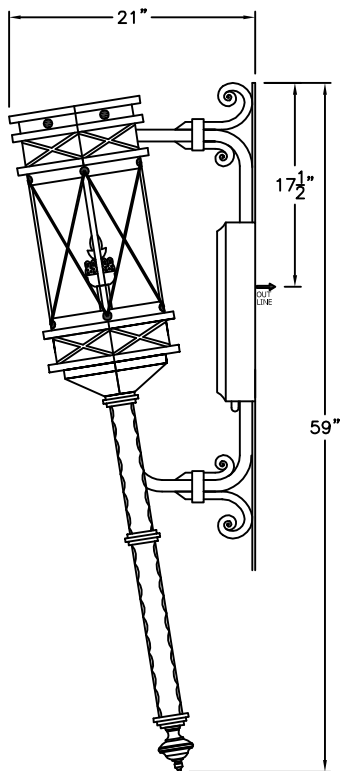
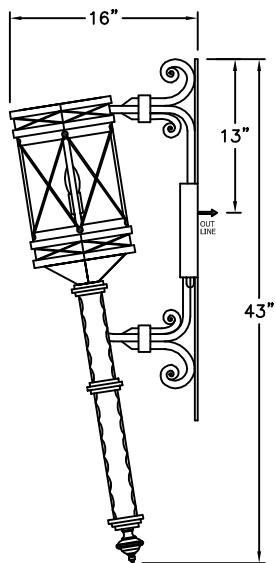
* ACTUAL DIMENSIONS MAY VARY UP TO 1/2"

CUSTOM DRAWING CHANGES:

© 2010 SOLARA ENCHAINMENT
UNAUTHORIZED USE OF THIS
PLAN IS IN VIOLATION OF THE
U.S. COPYRIGHT ACT TITLE 17
OF THE U.S. CODE.



DESIGN:	HARLEQUIN
LINE:	TORCH MOUNT
FILE:	D-008-08SET-EG-S100-2
DATE REV:	09-AUGUST-10



SMALL
D-008-091
10 1/2" W x 43" H x 16" D

MEDIUM
D-008-092
13" W x 59" H x 21" D

LARGE
D-008-093
13" W x 68" H x 23 1/2" D

XLARGE
D-008-094
15" W x 75 1/2" H x 25" D

AVAILABLE IN
GAS & ELECTRIC
WITH EXCEPTION
OF SMALL SIZE

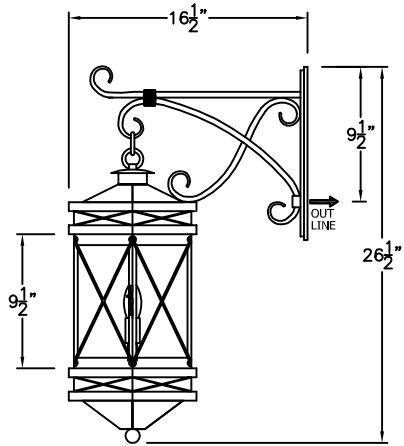
* ACTUAL DIMENSIONS MAY VARY UP TO 1/2"

CUSTOM DRAWING CHANGES:

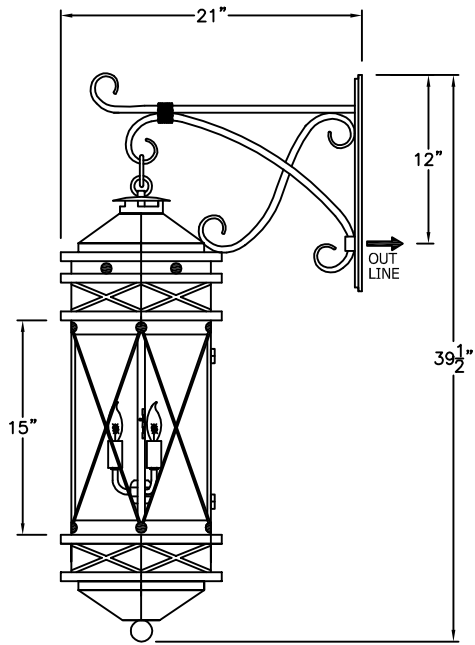
© 2011 SOLARA ENCHAINMENT
UNAUTHORIZED USE OF THIS
PLAN IS IN VIOLATION OF THE
U.S. COPYRIGHT ACT TITLE 17
OF THE U.S. CODE.



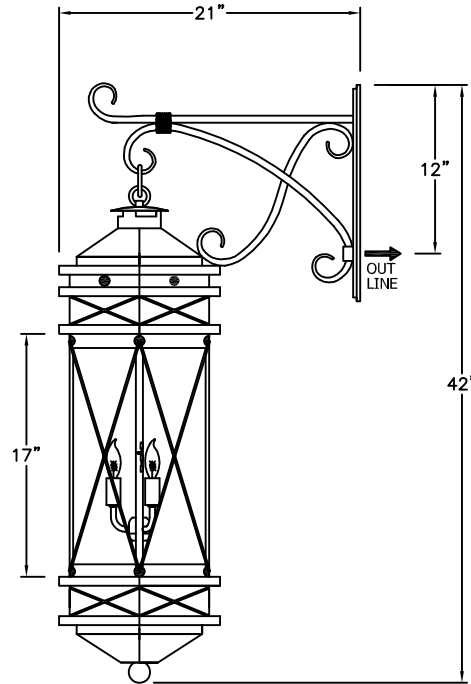
DESIGN:	HARLEQUIN
LINE:	TORCH MOUNT
FILE:	D-008-09SET-EG-S100-2
DATE REV:	01-FEB-11



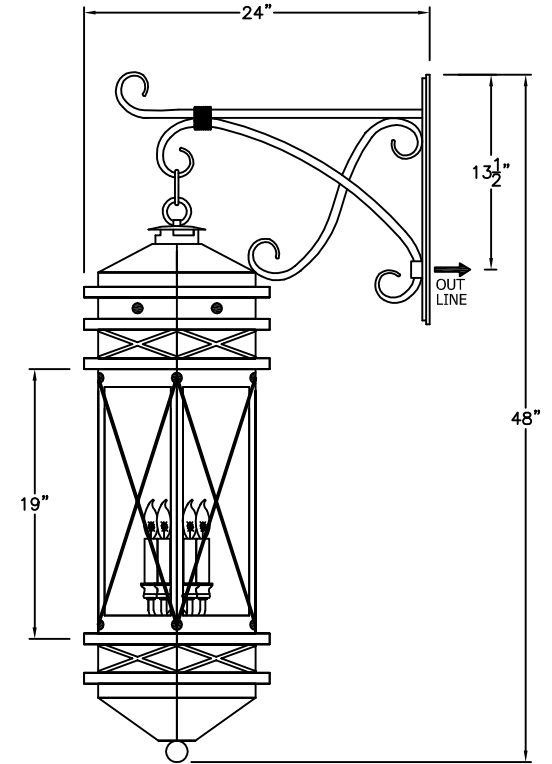
SMALL
D-008-101
10 1/2" W x 26 1/2" H x 16 1/2" D



MEDIUM
D-008-102
13" W x 39 1/2" H x 21" D



LARGE
D-008-103
13" W x 42" H x 21" D



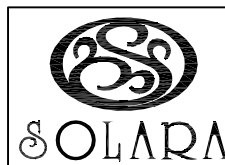
XLARGE
D-008-104
15" W x 48" H x 24" D

ONLY AVAILABLE
IN ELECTRIC

* ACTUAL DIMENSIONS MAY VARY UP TO 1/2"

CUSTOM DRAWING CHANGES:

© 2011 SOLARA ENCHAINMENT
UNAUTHORIZED USE OF THIS
PLAN IS IN VIOLATION OF THE
U.S. COPYRIGHT ACT TITLE 17
OF THE U.S. CODE.



DESIGN:	HARLEQUIN
LINE:	HANGING MOUNT
FILE:	D-008-10SET-EL-S100-1
DATE REV:	01-FEB-11