



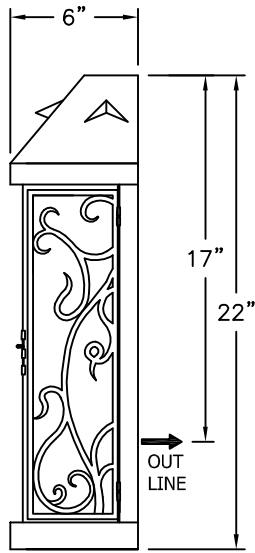
SOLARA

Iron Doors & Lighting

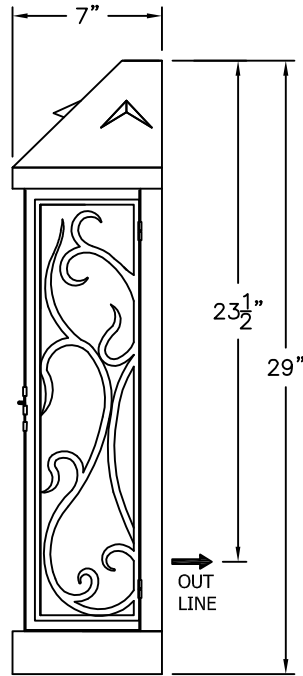


Quadrille Cast Iron - C008C

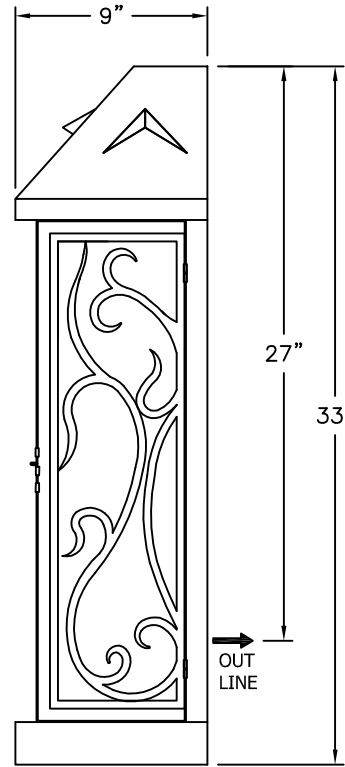




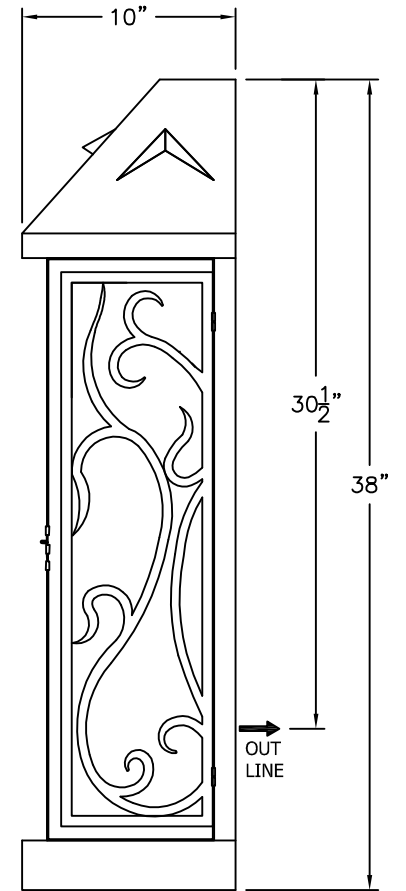
SMALL
C-008C-001
9" W x 22" H x 6" D



MEDIUM
C-008C-002
12" W x 29" H x 7" D



LARGE
C-008C-003
15" W x 33" H x 9" D



EXTRA LARGE
C-008C-004
17 1/2" W x 38" H x 10" D

ONLY AVAILABLE
IN ELECTRIC

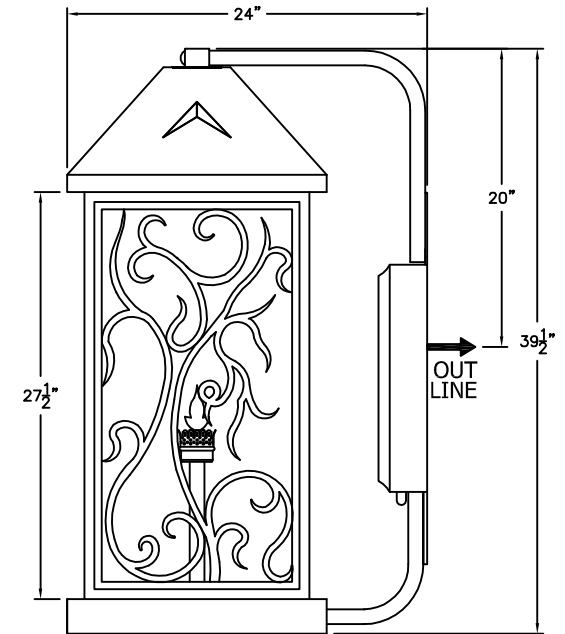
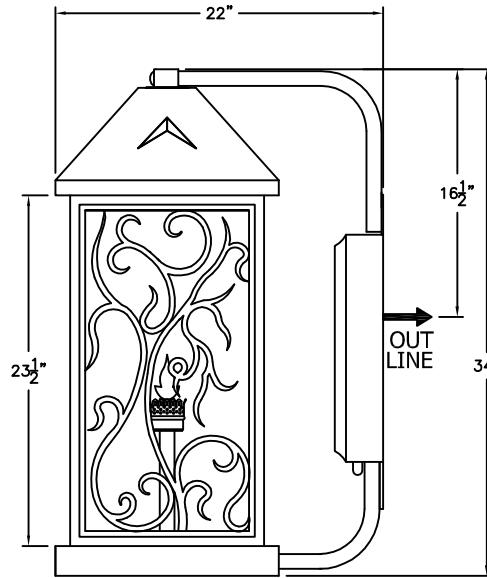
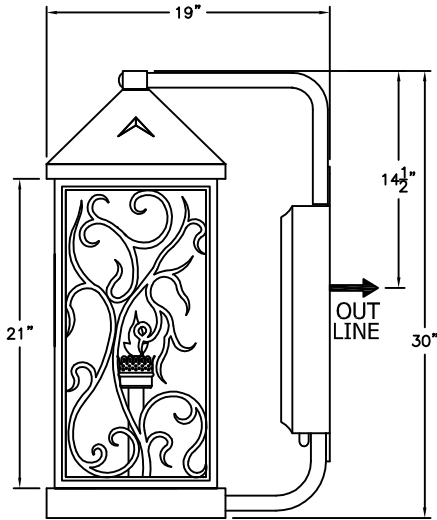
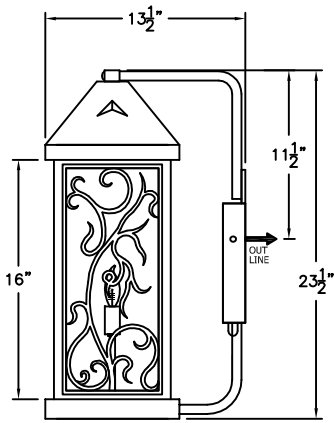
* ACTUAL DIMENSIONS MAY VARY UP TO 1/2"

CUSTOM DRAWING CHANGES:

© 2011 SOLARA ENCHAINMENT
UNAUTHORIZED USE OF THIS
PLAN IS IN VIOLATION OF THE
U.S. COPYRIGHT ACT TITLE 17
OF THE U.S. CODE.



DESIGN:	QUADRILLE CAST IRON
LINE:	SCONCE MOUNT
FILE:	C-008C-00SET-EL-S100-1
DATE REV:	01-APRIL-11



SMALL
C-008C-011

9" W x 23 1/2" H x 13 1/2" D

MEDIUM
C-008C-012

12" W x 30" H x 19" D

LARGE
C-008C-013

15" W x 34" H x 22" D

EXTRA LARGE
C-008C-014

17 1/2" W x 39 1/2" H x 24" D

AVAILABLE IN
GAS & ELECTRIC
WITH EXCEPTION
OF SMALL SIZE

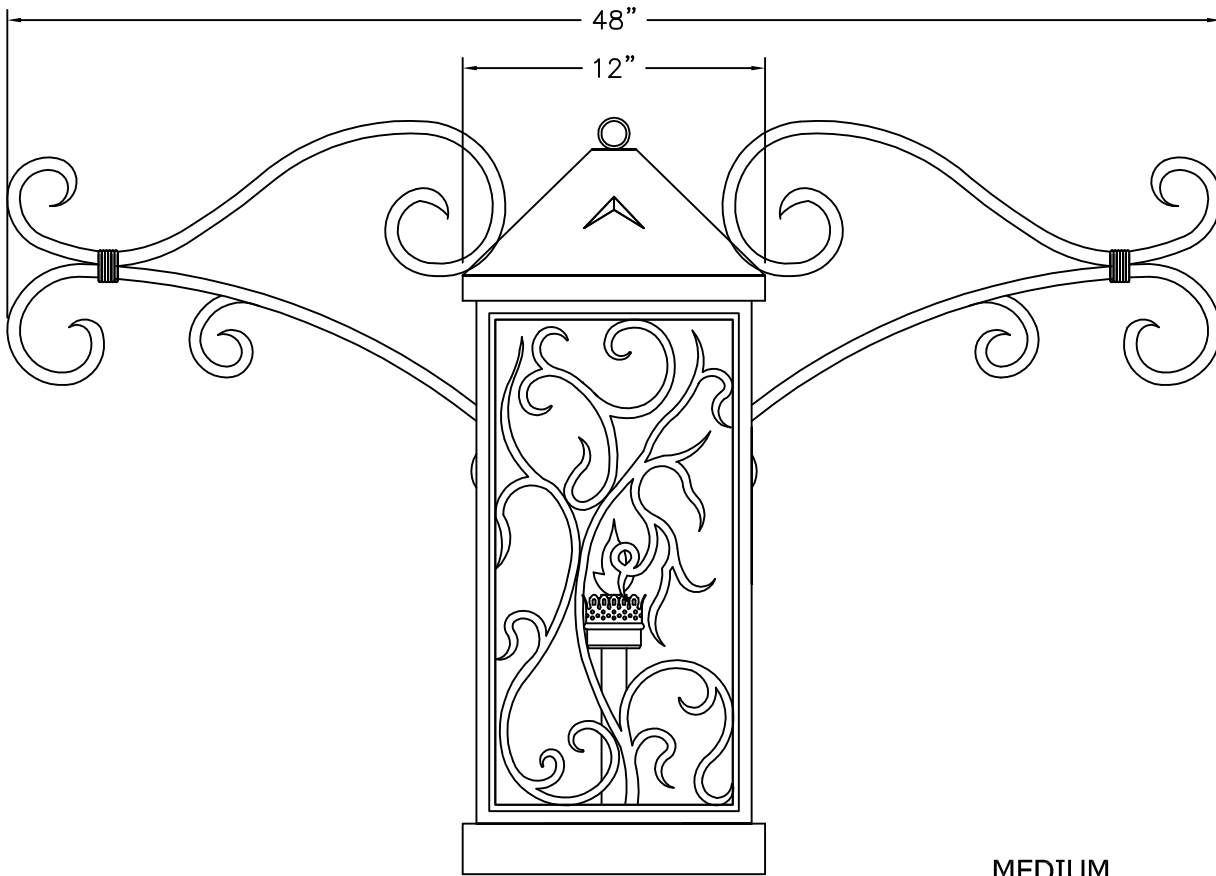
* ACTUAL DIMENSIONS MAY VARY UP TO 1/2"

CUSTOM DRAWING CHANGES:

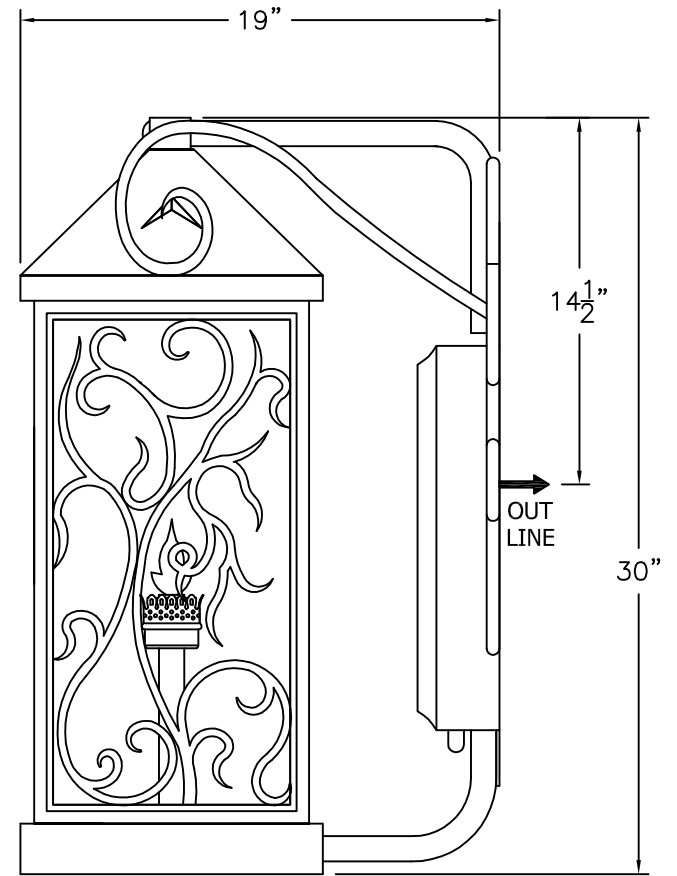
© 2011 SOLARA ENCHAINMENT
UNAUTHORIZED USE OF THIS
PLAN IS IN VIOLATION OF THE
U.S. COPYRIGHT ACT TITLE 17
OF THE U.S. CODE.



DESIGN:	QUADRILLE CAST IRON
LINE:	WALL MOUNT
FILE:	C-008C-01SET-EG-S100-1
DATE REV:	01-APRIL-11



FRONT VIEW



SIDE VIEW

MEDIUM
C-008C-022
48" W x 30" H x 19" D

AVAILABLE IN
GAS & ELECTRIC
WITH EXCEPTION
OF SMALL SIZE

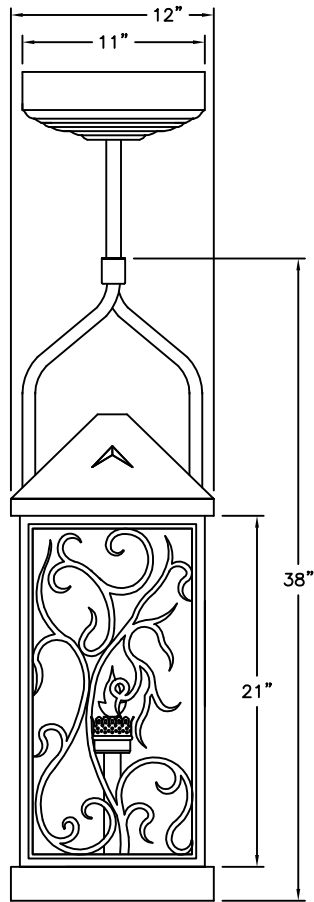
* ACTUAL DIMENSIONS MAY VARY UP TO 1/2"

CUSTOM DRAWING CHANGES:

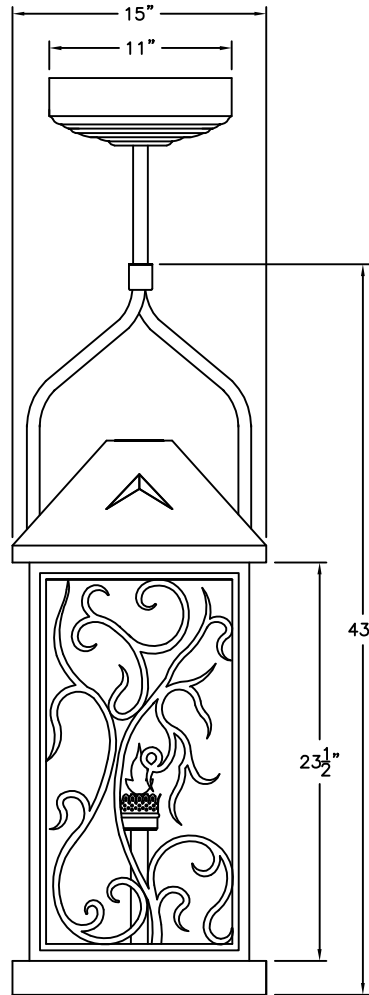
© 2011 SOLARA ENCHAINMENT
UNAUTHORIZED USE OF THIS
PLAN IS IN VIOLATION OF THE
U.S. COPYRIGHT ACT TITLE 17
OF THE U.S. CODE.



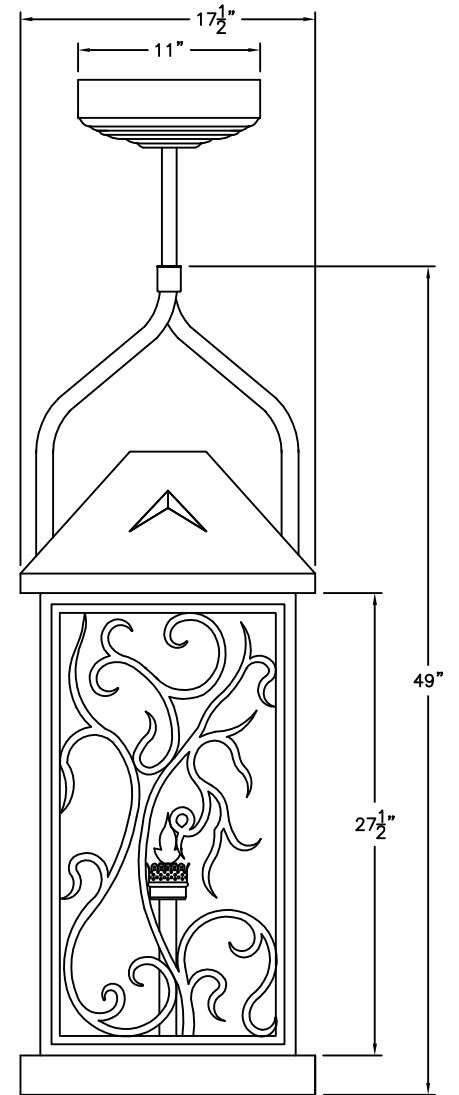
DESIGN:	QUADRILLE CAST IRON
LINE:	CENTRAL MOUNT
FILE:	C-008C-022-EG-S100-1
DATE REV:	01-APRIL-11



MEDIUM
C-008C-032
12" W x 38" H



LARGE
C-008C-033
15" W x 43" H



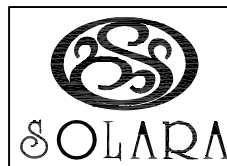
EXTRA LARGE
C-008C-034
17 1/2" W x 49" H

AVAILABLE IN
GAS & ELECTRIC
WITH EXCEPTION
OF SMALL SIZE

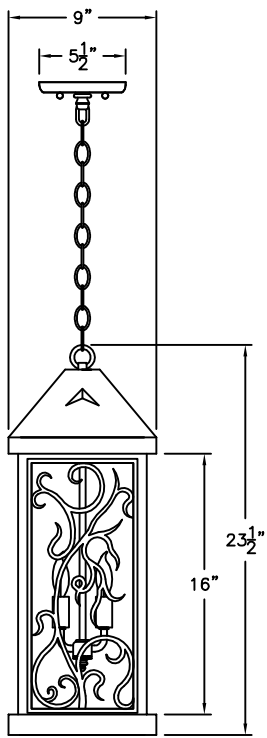
* ACTUAL DIMENSIONS MAY VARY UP TO 1/2"

CUSTOM DRAWING CHANGES:

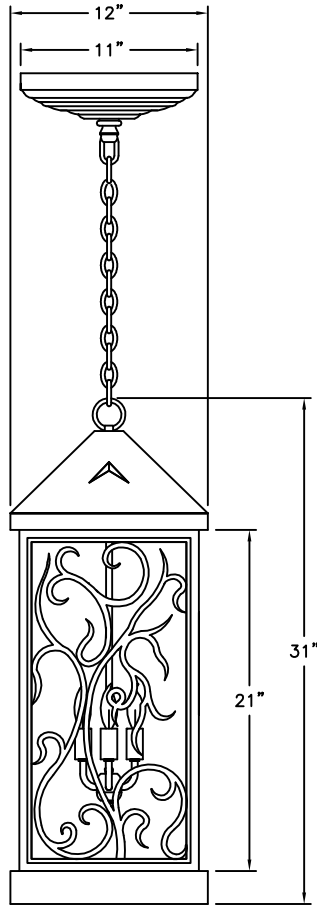
© 2011 SOLARA ENCHAINMENT
UNAUTHORIZED USE OF THIS
PLAN IS IN VIOLATION OF THE
U.S. COPYRIGHT ACT TITLE 17
OF THE U.S. CODE.



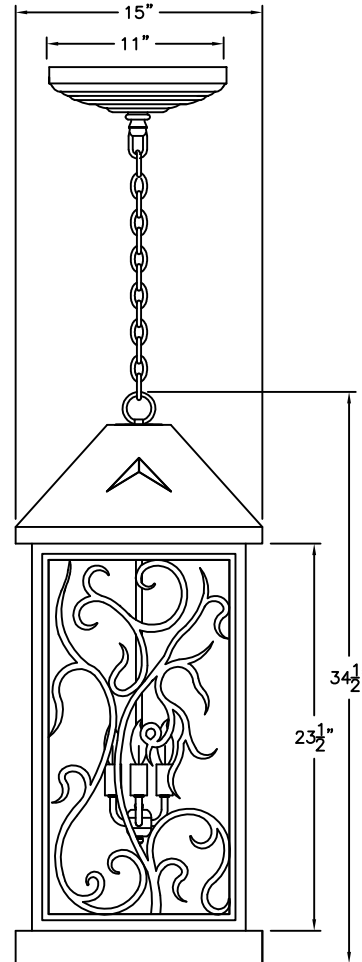
DESIGN: QUADRILLE CAST IRON
LINE: PENDANT STEM
FILE: C-008C-03SET-EG-S100-1
DATE REV: 01-APRIL-11



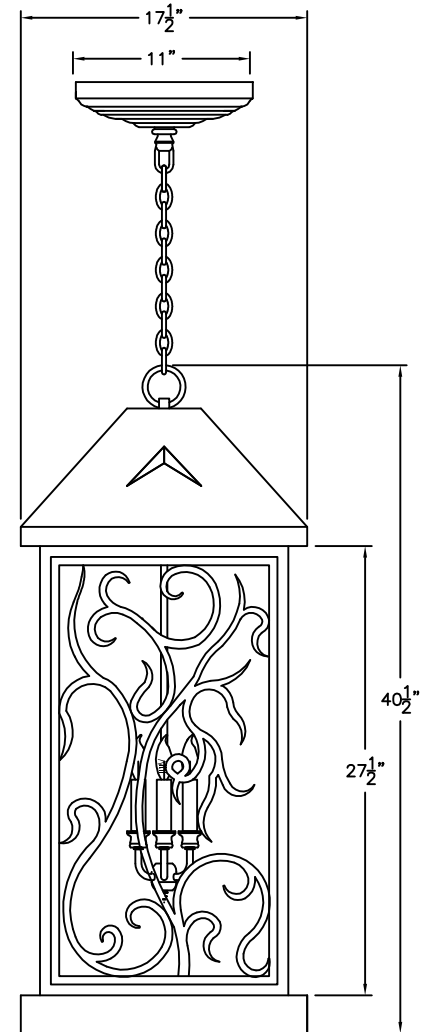
SMALL
C-008C-041
9" W x 23 1/2" H



MEDIUM
C-008C-042
12" W x 31" H



LARGE
C-008C-043
15" W x 34 1/2" H



EXTRA LARGE
C-008C-044
17 1/2" W x 40 1/2" H

ONLY AVAILABLE
IN ELECTRIC

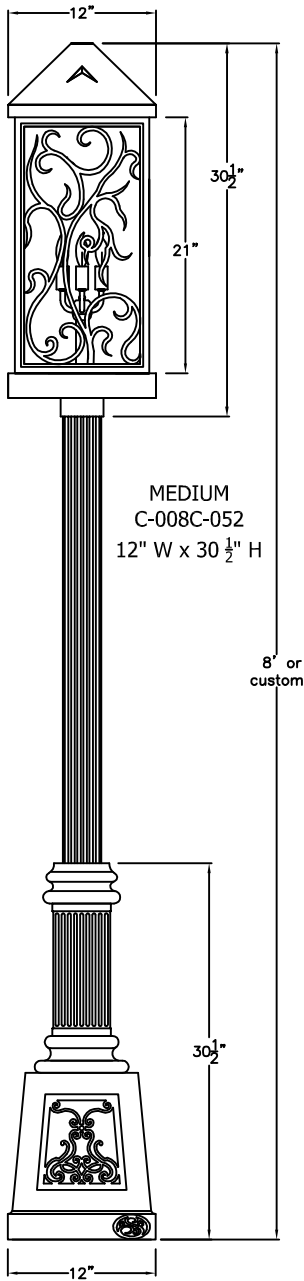
* ACTUAL DIMENSIONS MAY VARY UP TO 1/2"

CUSTOM DRAWING CHANGES:

© 2011 SOLARA ENCHAINMENT
UNAUTHORIZED USE OF THIS
PLAN IS IN VIOLATION OF THE
U.S. COPYRIGHT ACT TITLE 17
OF THE U.S. CODE.

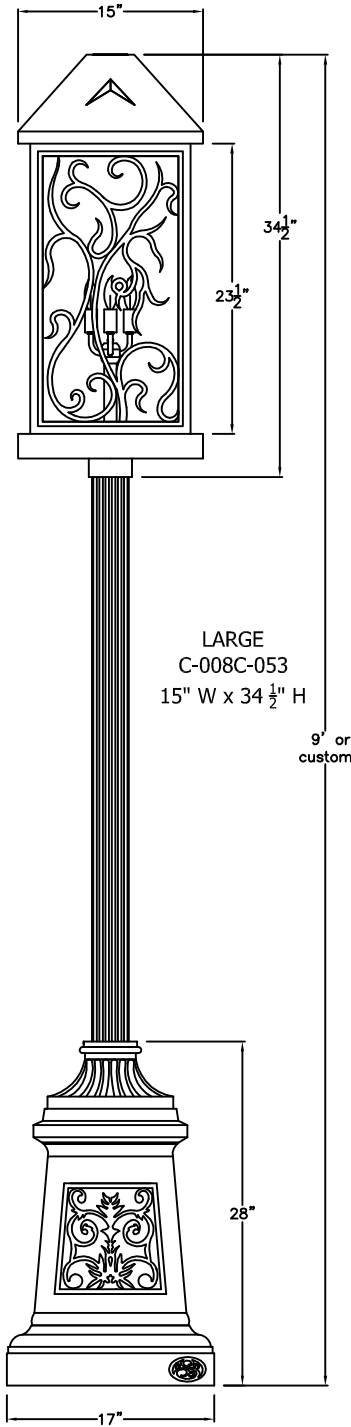


DESIGN:	QUADRILLE CAST IRON
LINE:	PENDANT CHAIN
FILE:	C-008C-04SET-EL-S100-2
DATE REV:	01-APRIL-11



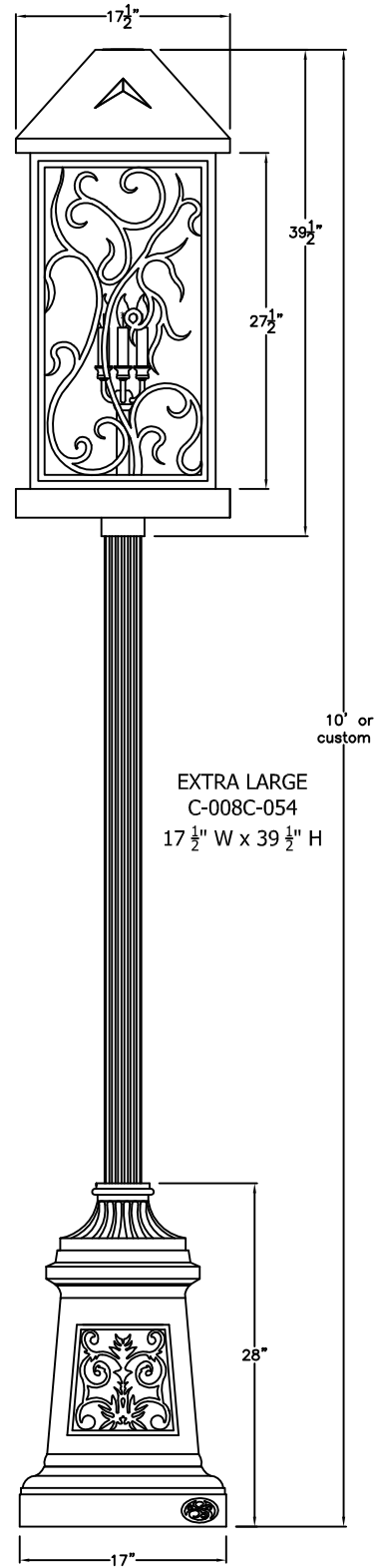
MEDIUM
C-008C-052
12" W x 30 1/2" H

SQUARE BASE-SH



LARGE
C-008C-053
15" W x 34 1/2" H

MUNICH BASE



EXTRA LARGE
C-008C-054
17 1/2" W x 39 1/2" H

AVAILABLE IN
GAS & ELECTRIC
WITH EXCEPTION
OF SMALL SIZE

* POST ARE SOLD SEPARATELY
* ACTUAL DIMENSIONS MAY VARY UP TO 1/2"

CUSTOM DRAWING CHANGES:

© 2010 SOLARA ENCHAINMENT
UNAUTHORIZED USE OF THIS
PLAN IS IN VIOLATION OF THE
U.S. COPYRIGHT ACT TITLE 17
OF THE U.S. CODE

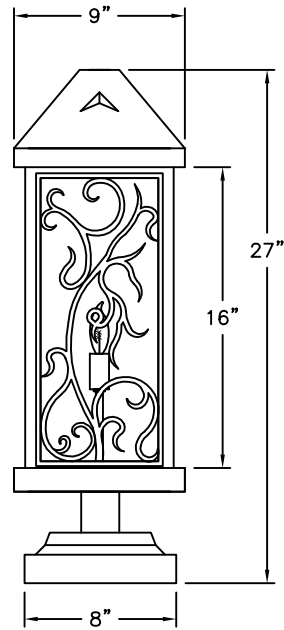


DESIGN: QUADRILLE CAST IRON

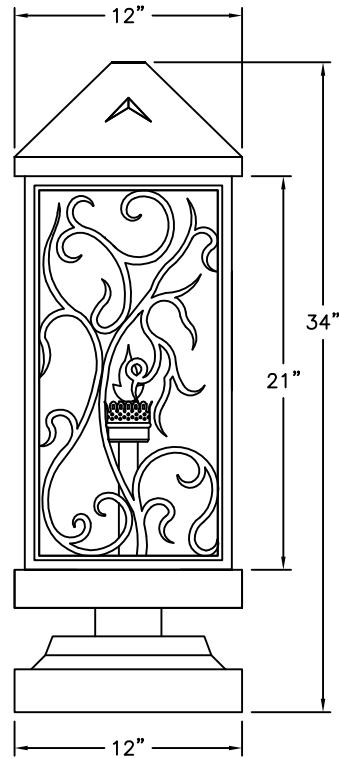
LINE: POST MOUNT

FILE: C-008C-05SET-EL-S100-1

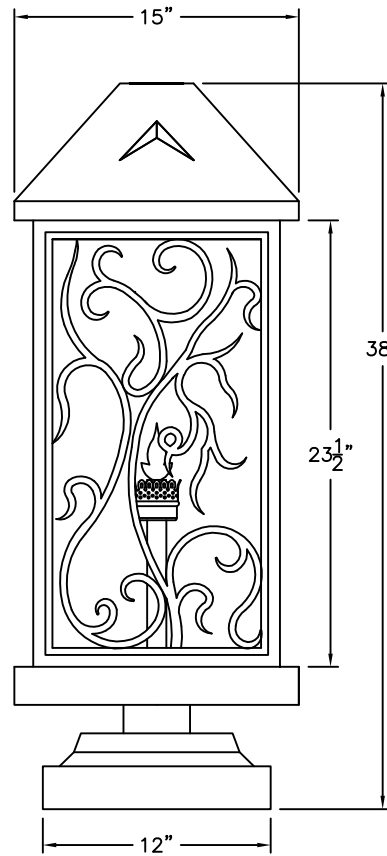
DATE REV : 01-APRIL-11



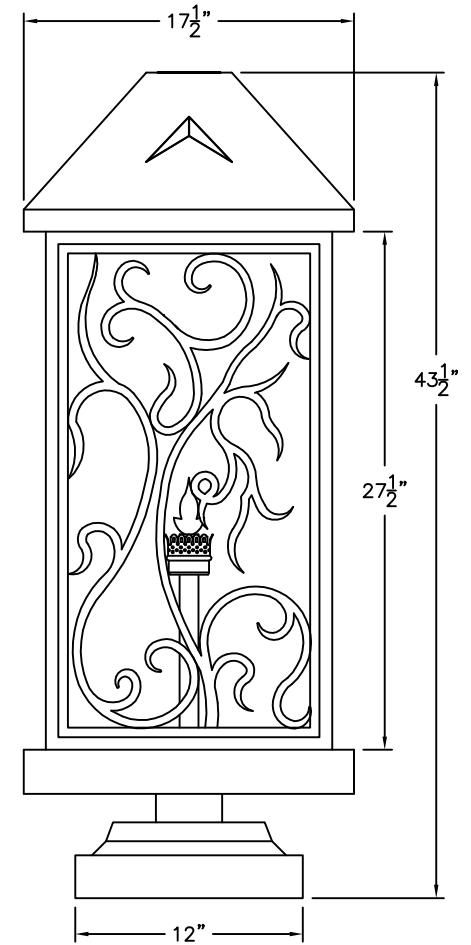
SMALL
C-008C-061
9" W x 27" H



MEDIUM
C-008C-062
12" W x 34" H



LARGE
C-008C-063
15" W x 38" H



EXTRA LARGE
C-008C-064
17 1/2" W x 43 1/2" H

AVAILABLE IN
GAS & ELECTRIC
WITH EXCEPTION
OF SMALL SIZE

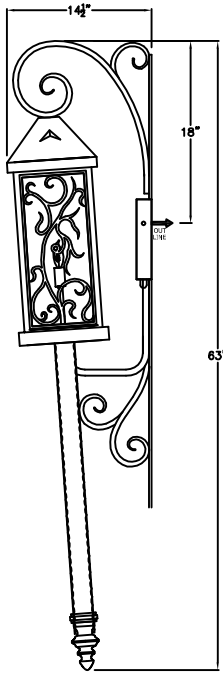
* ACTUAL DIMENSIONS MAY VARY UP TO 1/2"

CUSTOM DRAWING CHANGES:

© 2011 SOLARA ENCHAINMENT
UNAUTHORIZED USE OF THIS
PLAN IS IN VIOLATION OF THE
U.S. COPYRIGHT ACT TITLE 17
OF THE U.S. CODE.

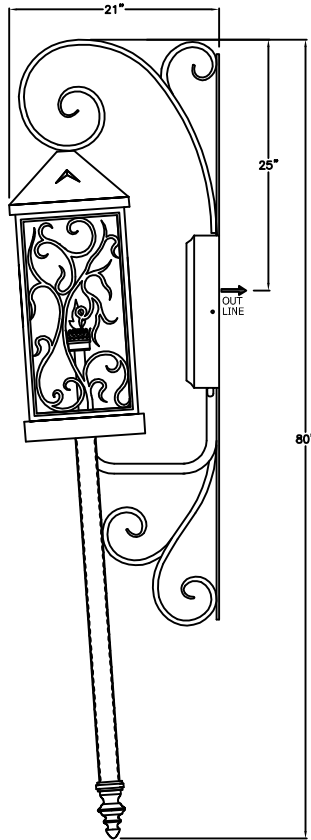


DESIGN:	QUADRILLE CAST IRON
LINE:	PIER MOUNT
FILE:	C-008C-06SET-EG-S100-1
DATE REV:	01-APRIL-11

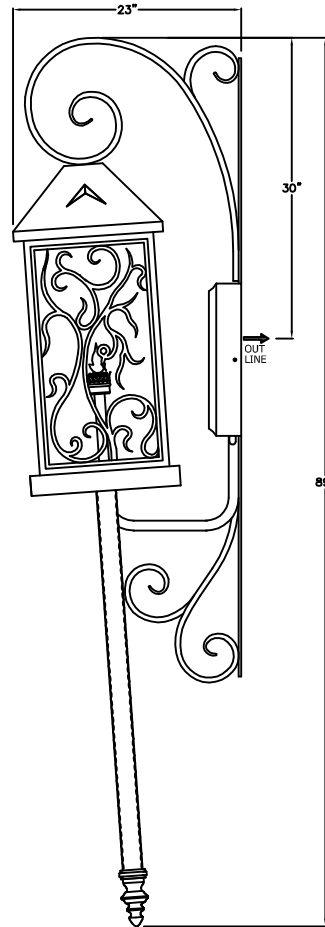


SMALL
C-008C-081

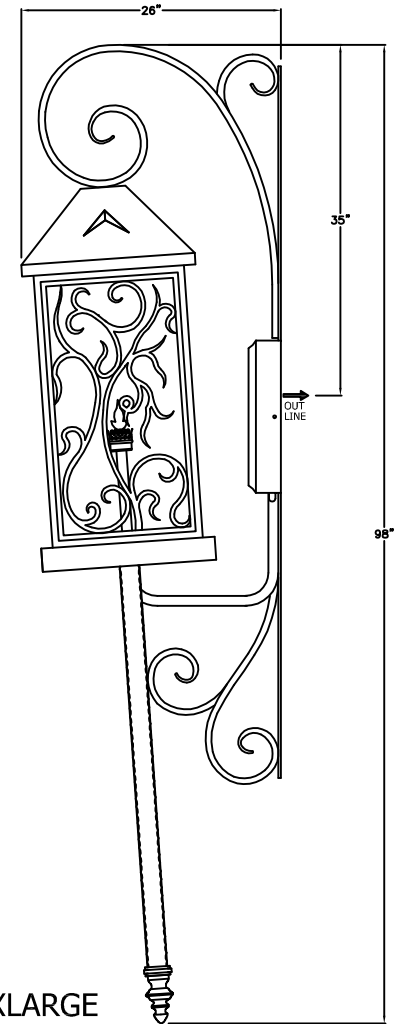
9" W X 63" H X 14 1/2" D



MEDIUM
C-008C-082
12" W X 80" H X 21" D



LARGE
C-008C-083
15" W X 89" H X 23" D



XLARGE
C-008C-084
17 1/2" W X 98" H X 26" D

AVAILABLE IN
GAS & ELECTRIC
WITH EXCEPTION
OF SMALL SIZE

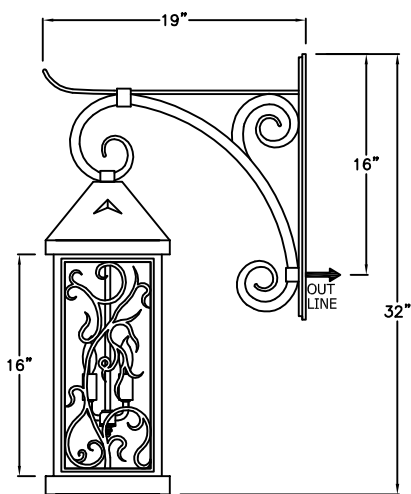
* ACTUAL DIMENSIONS MAY VARY UP TO 1/2"

CUSTOM DRAWING CHANGES:

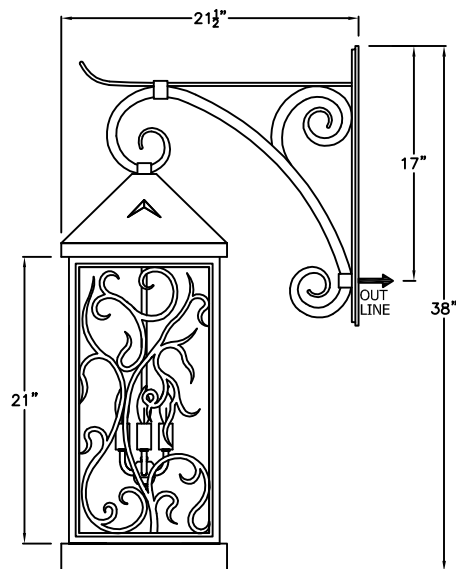
© 2011 SOLARA ENCHAINMENT
UNAUTHORIZED USE OF THIS
PLAN IS IN VIOLATION OF THE
U.S. COPYRIGHT ACT TITLE 17
OF THE U.S. CODE.



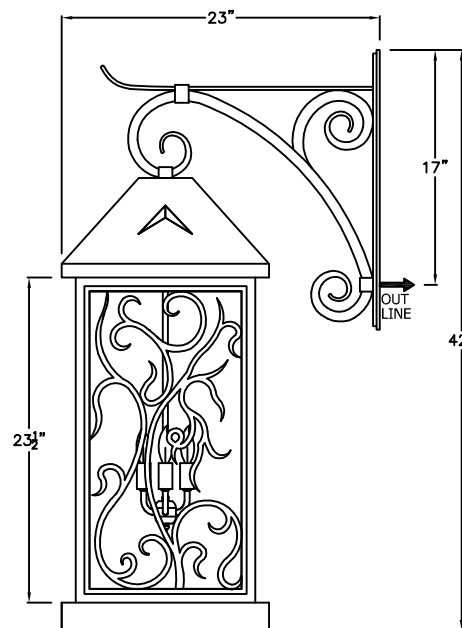
DESIGN:	QUADRILLE CAST IRON
LINE:	TORCH MOUNT
FILE:	C-008C-08SET-EG-S100-1
DATE REV:	01-APRIL-11



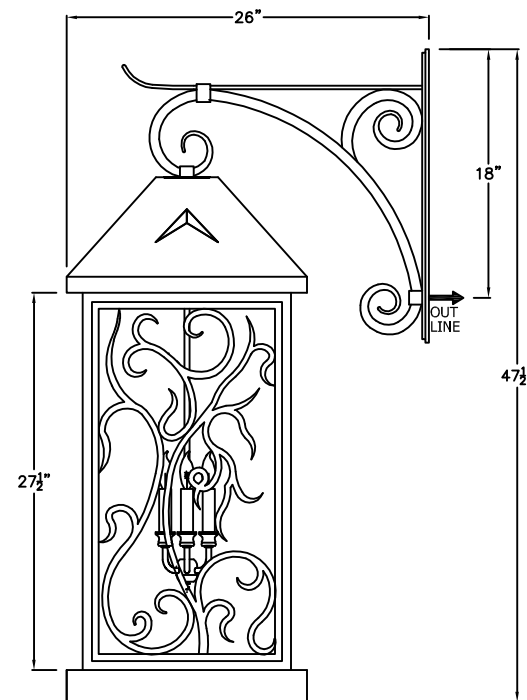
SMALL
C-008C-101
9" W X 32" H X 19" D



MEDIUM
C-008C-102
12" W X 38" H X 21 1/2" D



LARGE
C-008C-103
15" W X 42" H X 23" D



XLARGE
C-008C-104
17 1/2" W X 47 1/2" H X 26" D

ONLY AVAILABLE
IN ELECTRIC

* ACTUAL DIMENSIONS MAY VARY UP TO 1/2"

CUSTOM DRAWING CHANGES:

© 2011 SOLARA ENCHAINMENT
UNAUTHORIZED USE OF THIS
PLAN IS IN VIOLATION OF THE
U.S. COPYRIGHT ACT TITLE 17
OF THE U.S. CODE.



DESIGN:	QUADRILLE CAST IRON
LINE:	HANGING MOUNT
FILE:	C-008C-10SET-EL-S100-1
DATE REV:	11-MARCH-11