



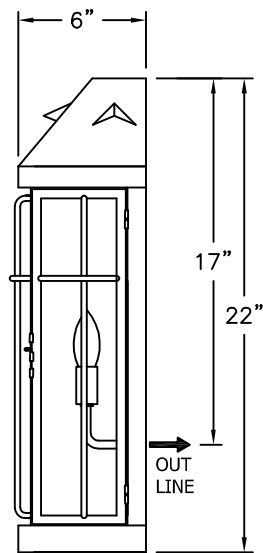
# SOLARA

Iron Doors & Lighting

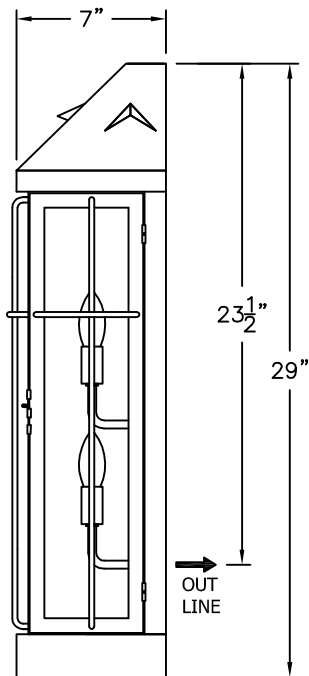


## Quadriple - C008

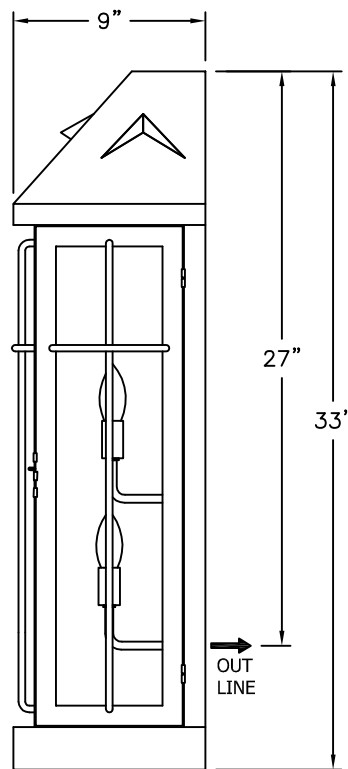




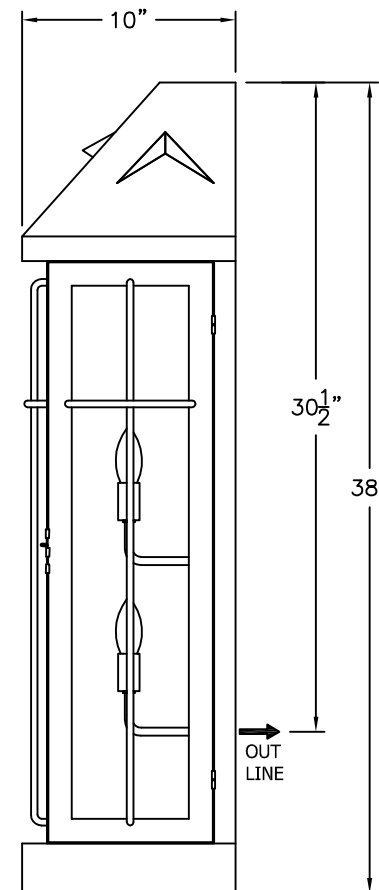
SMALL  
C-008-001  
9" W x 22" H x 6" D



MEDIUM  
C-008-002  
12" W x 29" H x 7" D



LARGE  
C-008-003  
15" W x 33" H x 9" D



EXTRA LARGE  
C-008-004  
17 1/2" W x 38" H x 10" D

ONLY AVAILABLE  
IN ELECTRIC

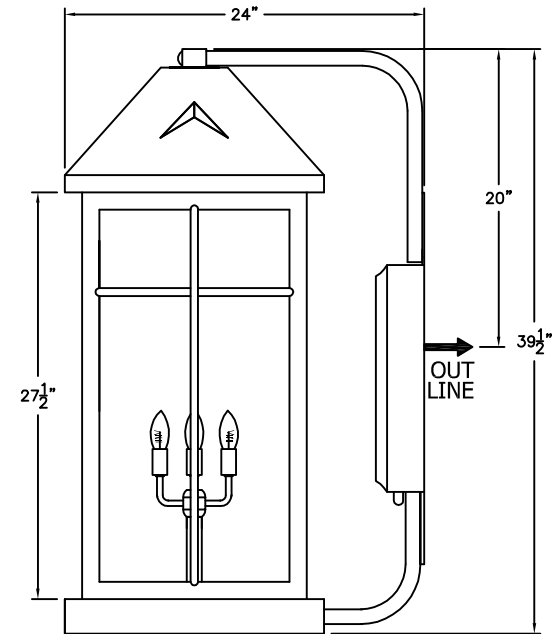
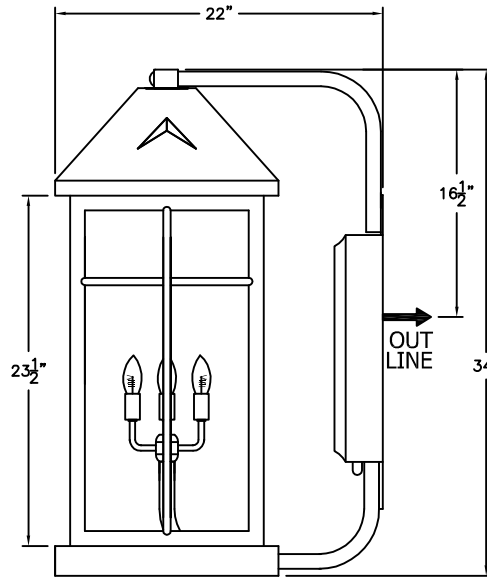
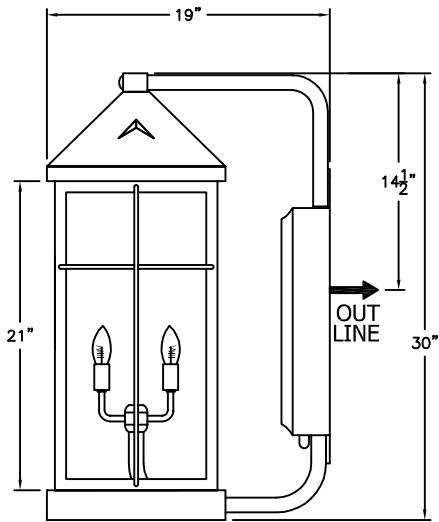
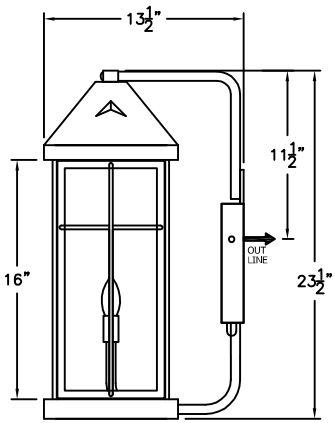
\* ACTUAL DIMENSIONS MAY VARY UP TO 1/2"

CUSTOM DRAWING CHANGES:

© 2010 SOLARA ENCHAINMENT  
UNAUTHORIZED USE OF THIS  
PLAN IS IN VIOLATION OF THE  
U.S. COPYRIGHT ACT TITLE 17  
OF THE U.S. CODE.



DESIGN:	QUADRILLE
LINE:	SCONCE MOUNT
FILE:	C-008-00SET-EL-S100-2
DATE REV:	06-AUGUST-10



SMALL  
C-008-011

9" W x 23 1/2" H x 13 1/2" D

MEDIUM  
C-008-012

12" W x 30" H x 19" D

LARGE  
C-008-013

15" W x 34" H x 22" D

EXTRA LARGE  
C-008-014

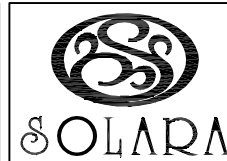
17 1/2" W x 39 1/2" H x 24" D

AVAILABLE IN  
GAS & ELECTRIC  
WITH EXCEPTION  
OF SMALL SIZE

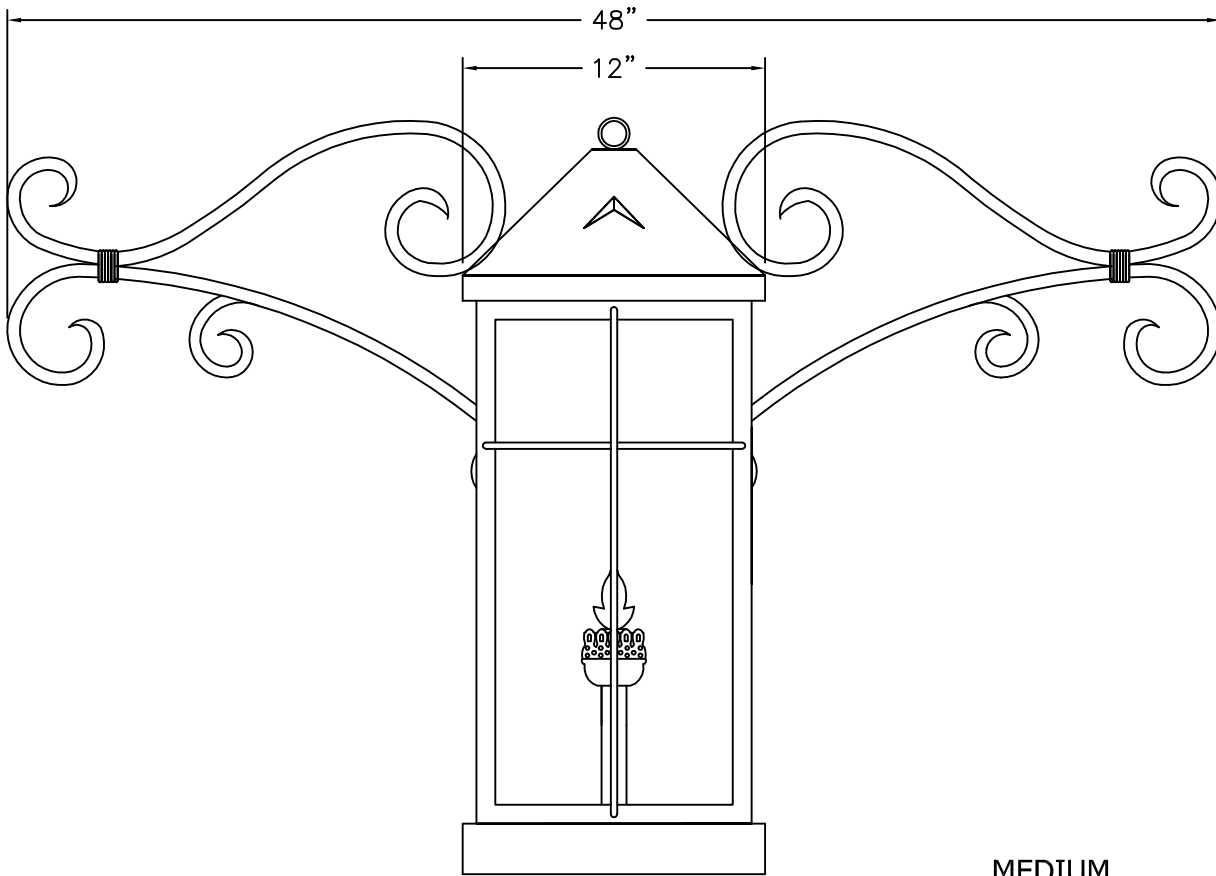
\* ACTUAL DIMENSIONS MAY VARY UP TO 1/2"

CUSTOM DRAWING CHANGES:

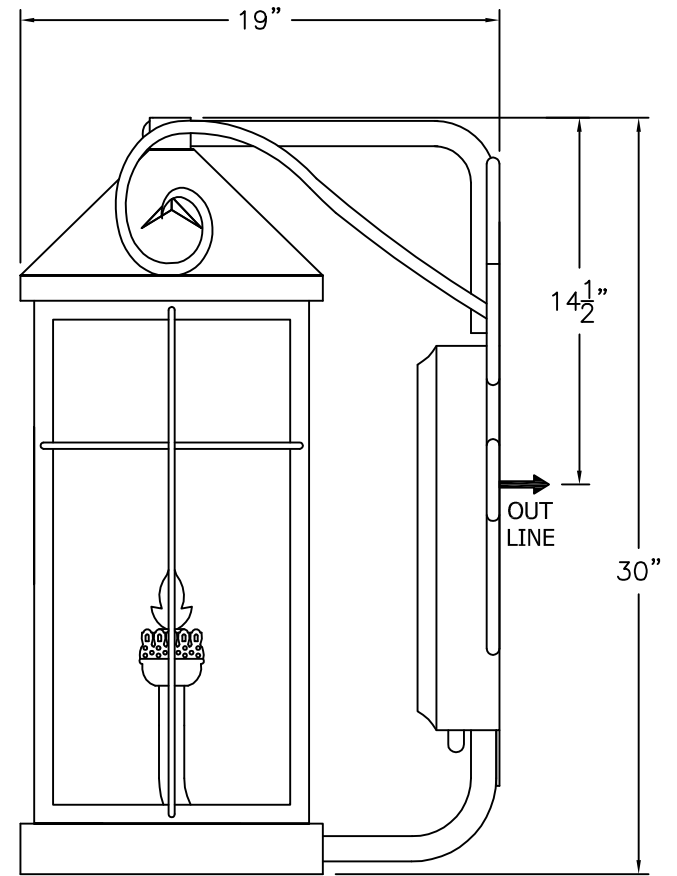
© 2010 SOLARA ENCHAINMENT  
UNAUTHORIZED USE OF THIS  
PLAN IS IN VIOLATION OF THE  
U.S. COPYRIGHT ACT TITLE 17  
OF THE U.S. CODE.



DESIGN:	QUADRILLE
LINE:	WALL MOUNT
FILE:	C-008-01SET-EL-S100-2
DATE REV:	06-AUGUST-10



FRONT VIEW



SIDE VIEW

MEDIUM  
C-008-022  
48" W x 30" H x 19" D

AVAILABLE IN  
GAS & ELECTRIC  
WITH EXCEPTION  
OF SMALL SIZE

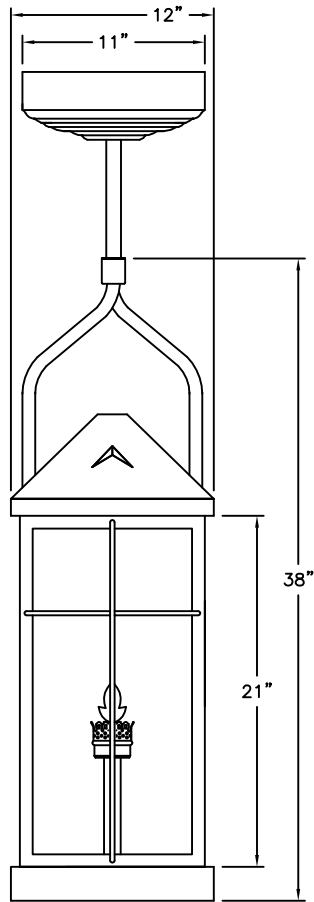
\* ACTUAL DIMENSIONS MAY VARY UP TO 1/2"

CUSTOM DRAWING CHANGES:

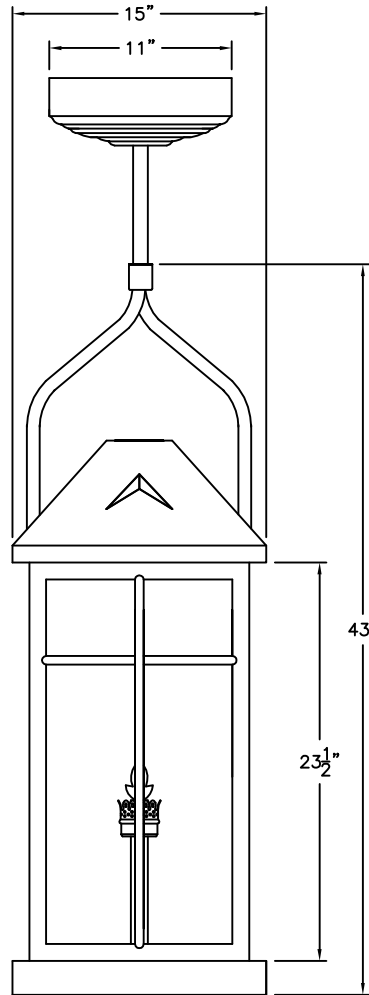
© 2010 SOLARA ENCHAINMENT  
UNAUTHORIZED USE OF THIS  
PLAN IS IN VIOLATION OF THE  
U.S. COPYRIGHT ACT TITLE 17  
OF THE U.S. CODE.



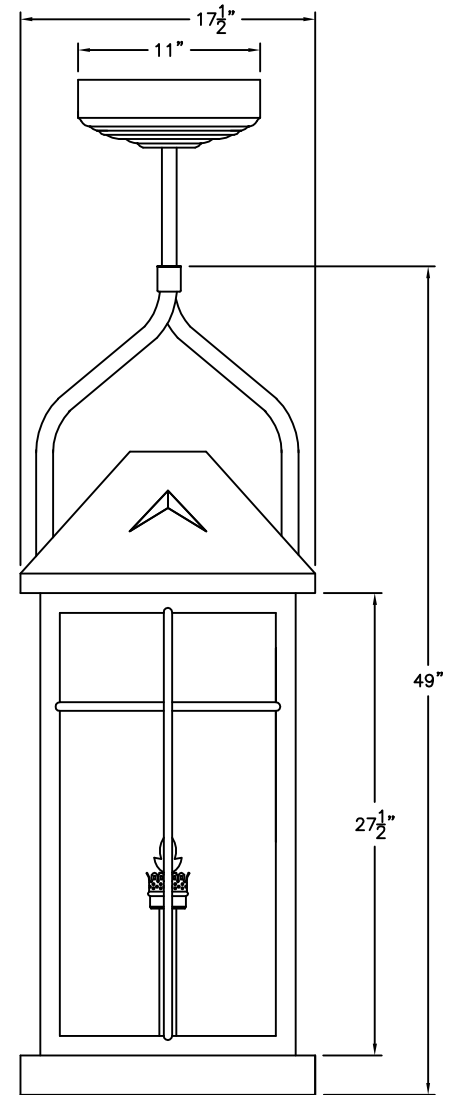
DESIGN:	QUADRILLE
LINE:	CENTRAL MOUNT
FILE:	C-008-022-EG-S100-1
DATE REV:	06-AUGUST-10



MEDIUM  
C-008-032  
12" W x 38" H



LARGE  
C-008-033  
15" W x 43" H



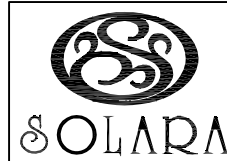
EXTRA LARGE  
C-008-034  
17 1/2" W x 49" H

AVAILABLE IN  
GAS & ELECTRIC  
WITH EXCEPTION  
OF SMALL SIZE

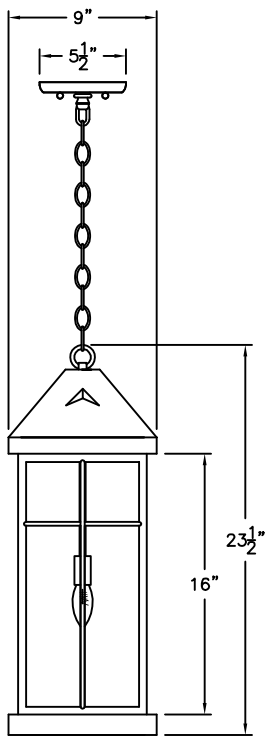
\* ACTUAL DIMENSIONS MAY VARY UP TO 1/2"

CUSTOM DRAWING CHANGES:

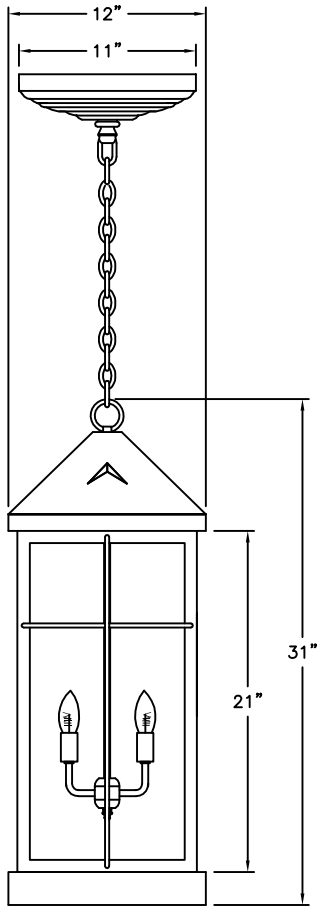
© 2011 SOLARA ENCHAINMENT  
UNAUTHORIZED USE OF THIS  
PLAN IS IN VIOLATION OF THE  
U.S. COPYRIGHT ACT TITLE 17  
OF THE U.S. CODE.



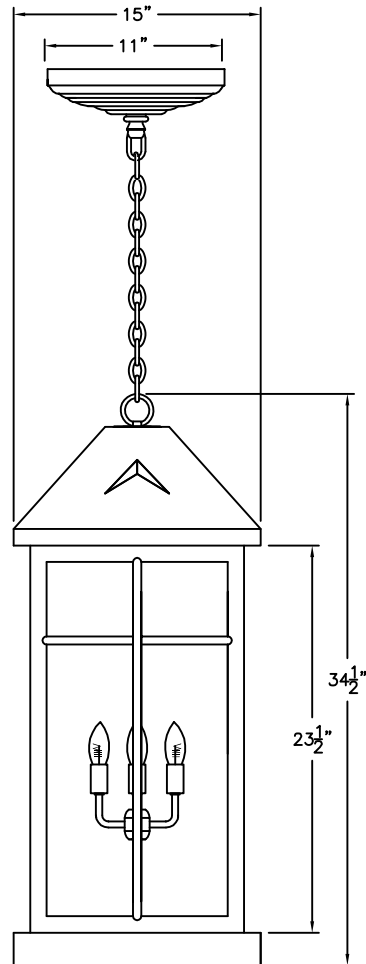
DESIGN:	QUADRILLE
LINE:	PENDANT STEM
FILE:	C-008-03SET-EG-S100-2
DATE REV:	22-FEB-11



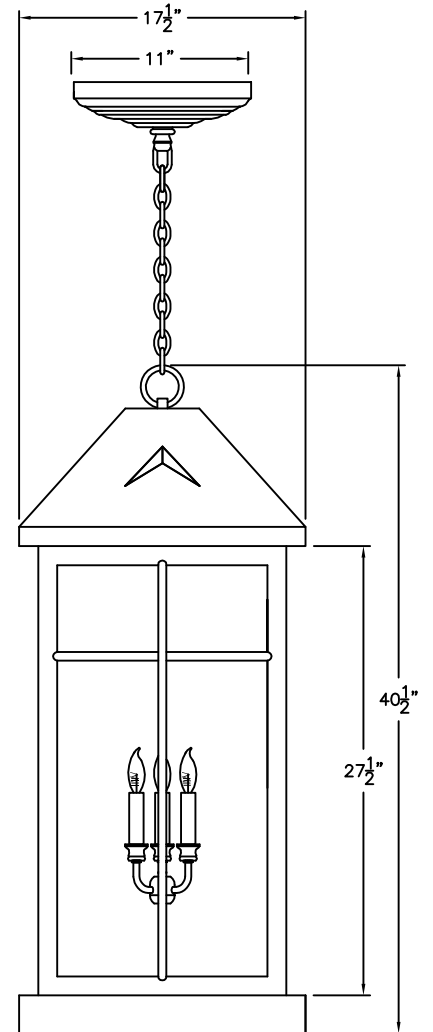
SMALL  
C-008-041  
9" W x 23 1/2" H



MEDIUM  
C-008-042  
12" W x 31" H



LARGE  
C-008-043  
15" W x 34 1/2" H



EXTRA LARGE  
C-008-044  
17 1/2" W x 40 1/2" H

ONLY AVAILABLE  
IN ELECTRIC

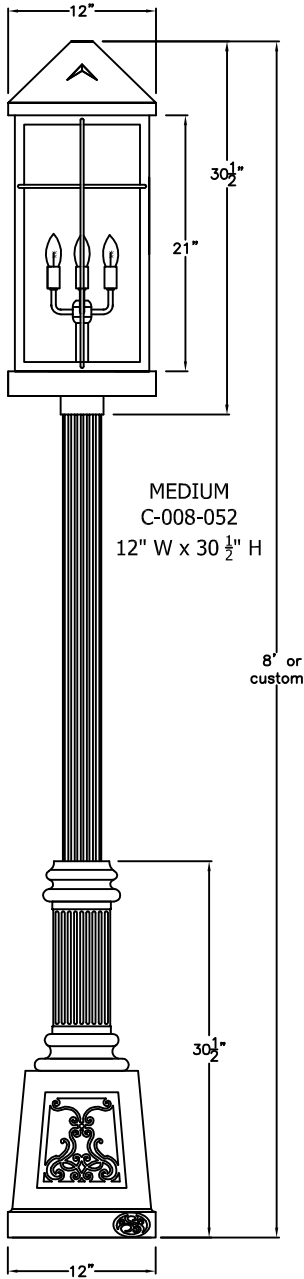
\* ACTUAL DIMENSIONS MAY VARY UP TO 1/2"

CUSTOM DRAWING CHANGES:

© 2010 SOLARA ENCHAINMENT  
UNAUTHORIZED USE OF THIS  
PLAN IS IN VIOLATION OF THE  
U.S. COPYRIGHT ACT TITLE 17  
OF THE U.S. CODE.

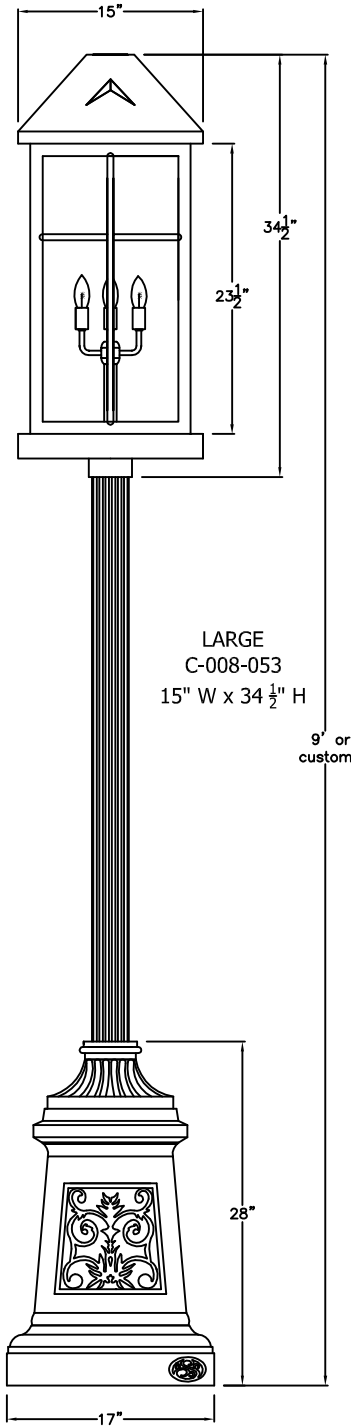


DESIGN:	QUADRILLE
LINE:	PENDANT CHAIN
FILE:	C-008-04SET-EL-S100-2
DATE REV:	06-AUGUST-10



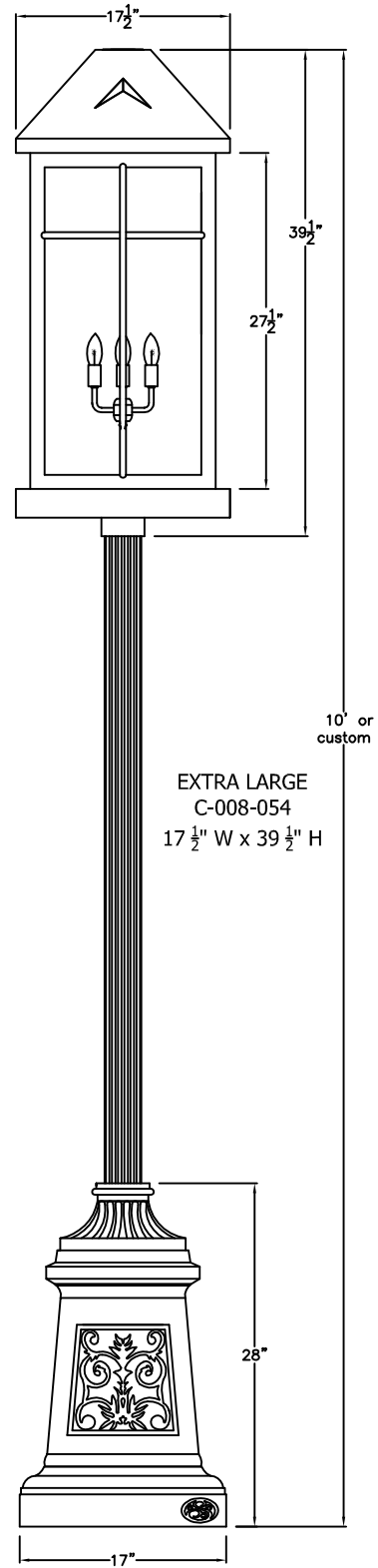
MEDIUM  
C-008-052  
12" W x 30 1/2" H

SQUARE BASE-SH



LARGE  
C-008-053  
15" W x 34 1/2" H

MUNICH BASE



EXTRA LARGE  
C-008-054  
17 1/2" W x 39 1/2" H

AVAILABLE IN  
GAS & ELECTRIC  
WITH EXCEPTION  
OF SMALL SIZE

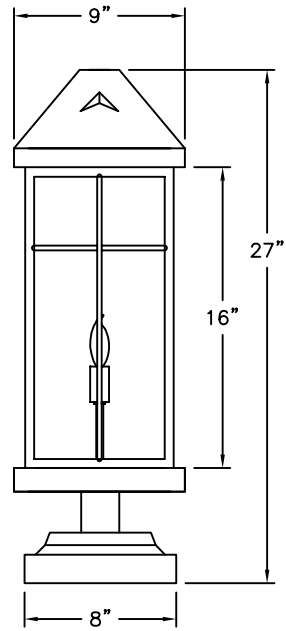
\* POST ARE SOLD SEPARATELY  
\* ACTUAL DIMENSIONS MAY VARY UP TO 1/2"

CUSTOM DRAWING CHANGES:

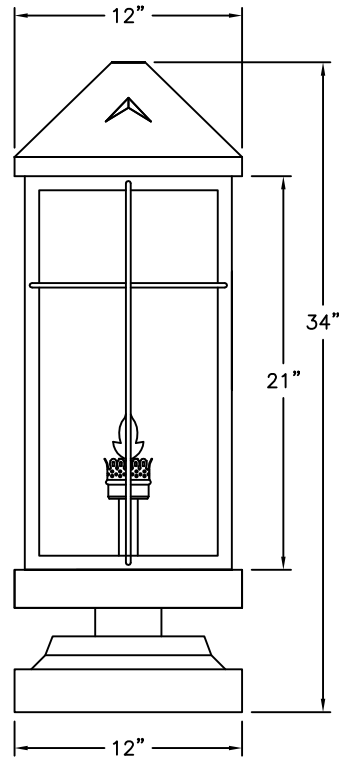
© 2010 SOLARA ENCHAINMENT  
UNAUTHORIZED USE OF THIS  
PLAN IS IN VIOLATION OF THE  
U.S. COPYRIGHT ACT TITLE 17  
OF THE U.S. CODE



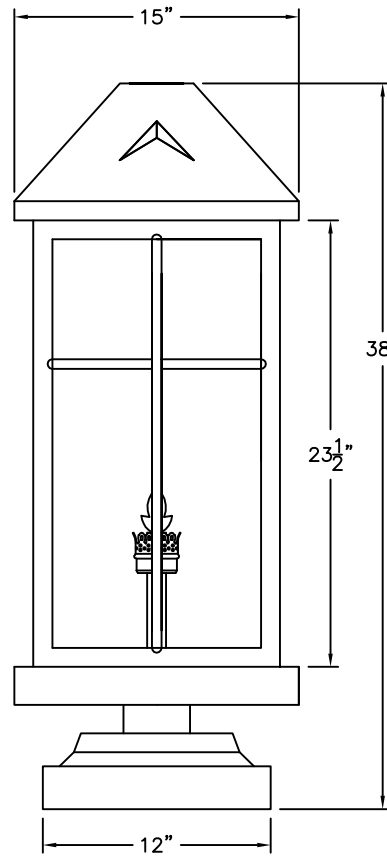
DESIGN: **QUADRILLE**  
LINE: **POST MOUNT**  
FILE: **C-008-05SET-EL-S100-2**  
DATE REV: **06-AUGUST-10**



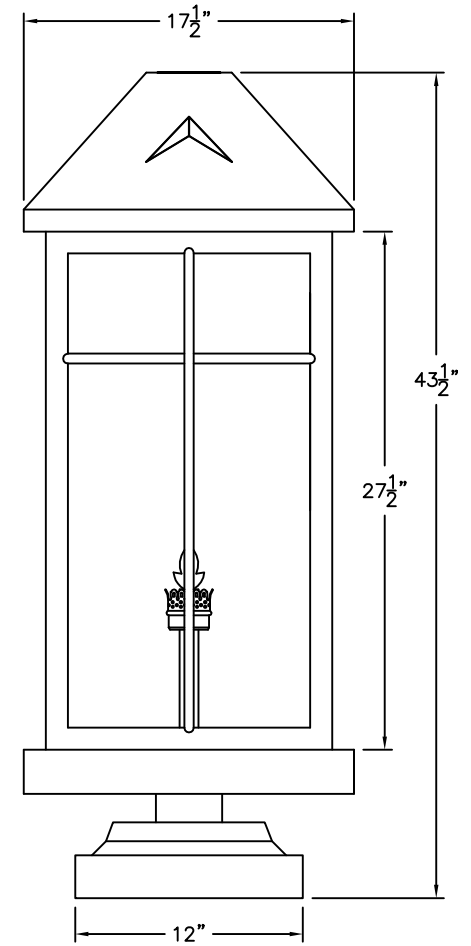
SMALL  
C-008-061  
9" W x 27" H



MEDIUM  
C-008-062  
12" W x 34" H



LARGE  
C-008-063  
15" W x 38" H



EXTRA LARGE  
C-008-064  
17 1/2" W x 43 1/2" H

AVAILABLE IN  
GAS & ELECTRIC  
WITH EXCEPTION  
OF SMALL SIZE

\* ACTUAL DIMENSIONS MAY VARY UP TO 1/2"

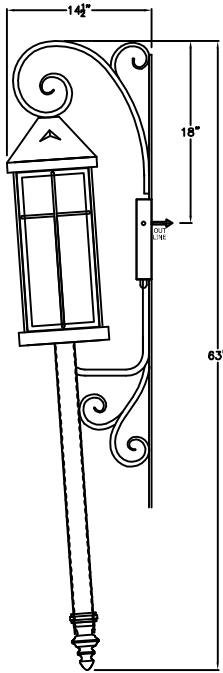
CUSTOM DRAWING CHANGES:

© 2010 SOLARA ENCHAINMENT  
UNAUTHORIZED USE OF THIS  
PLAN IS IN VIOLATION OF THE  
U.S. COPYRIGHT ACT TITLE 17  
OF THE U.S. CODE.



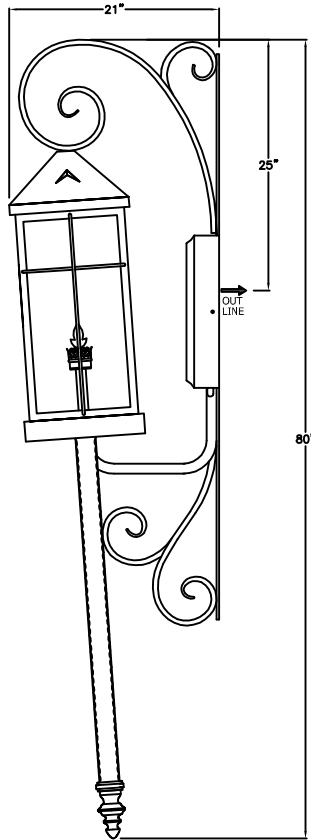
DESIGN:	QUADRILLE
LINE:	PIER MOUNT
FILE:	C-008-06SET-EG-S100-2
DATE REV:	06-AUGUST-10





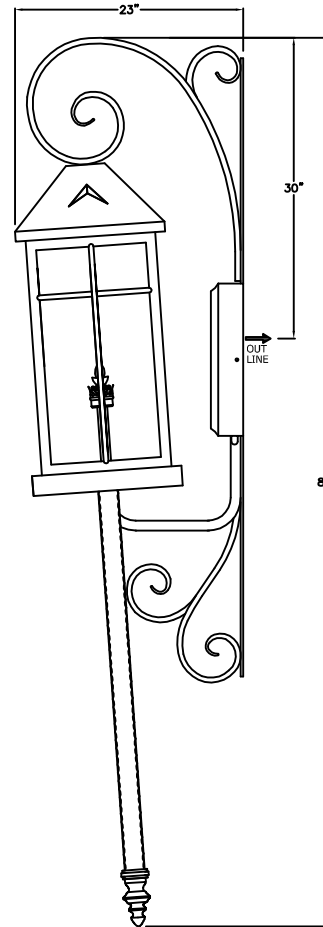
SMALL  
C-008-081

9" W X 63" H X 14 1/2" D



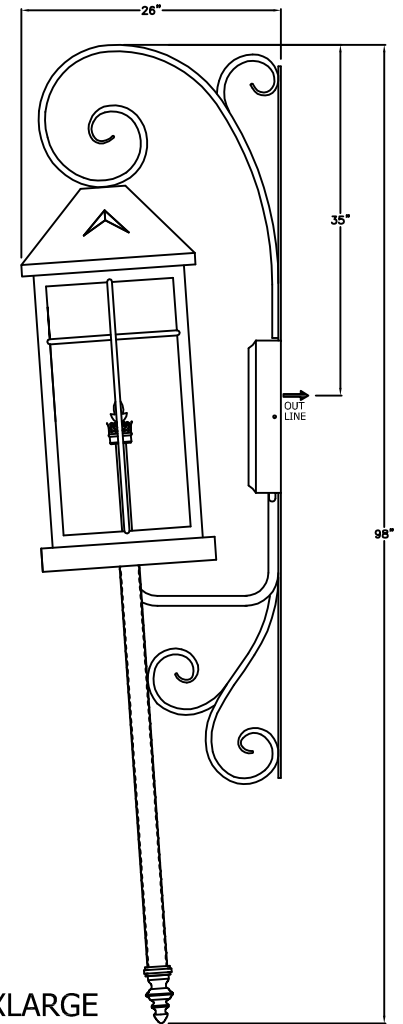
MEDIUM  
C-008-082

12" W X 80" H X 21" D



LARGE  
C-008-083

15" W X 89" H X 23" D



XLARGE  
C-008-084

17 1/2" W X 98" H X 26" D

AVAILABLE IN  
GAS & ELECTRIC  
WITH EXCEPTION  
OF SMALL SIZE

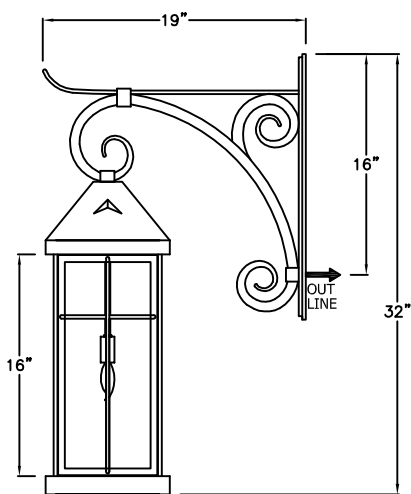
\* ACTUAL DIMENSIONS MAY VARY UP TO 1/2"

CUSTOM DRAWING CHANGES:

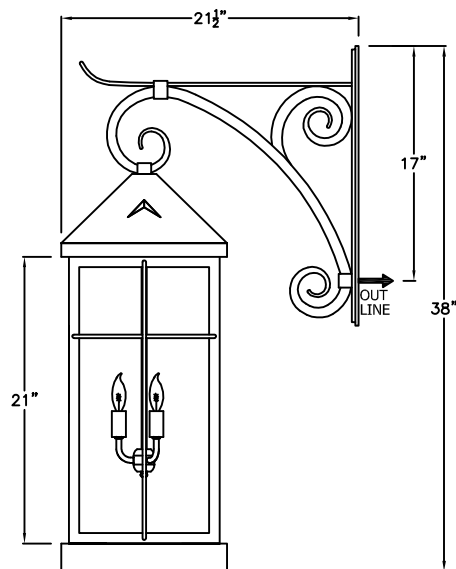
© 2011 SOLARA ENCHAINMENT  
UNAUTHORIZED USE OF THIS  
PLAN IS IN VIOLATION OF THE  
U.S. COPYRIGHT ACT TITLE 17  
OF THE U.S. CODE.



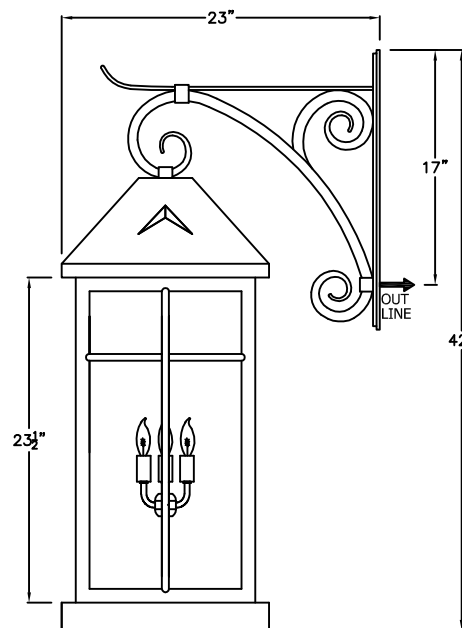
DESIGN:	QUADRILLE
LINE:	TORCH MOUNT
FILE:	C-008-08SET-EG-S100-1
DATE REV:	24-FEB-11



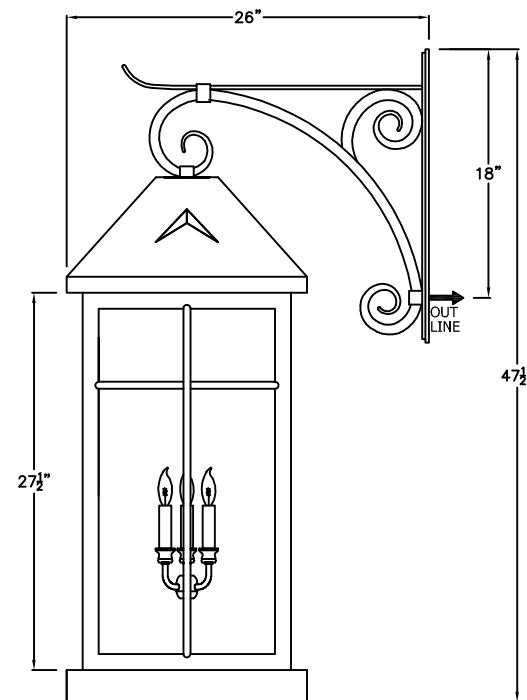
SMALL  
C-008-101  
9" W X 32" H X 19" D



MEDIUM  
C-008-102  
12" W X 38" H X 21 1/2" D



LARGE  
C-008-103  
15" W X 42" H X 23" D



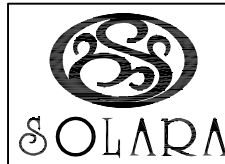
XLARGE  
C-008-104  
17 1/2" W X 47 1/2" H X 26" D

ONLY AVAILABLE  
IN ELECTRIC

\* ACTUAL DIMENSIONS MAY VARY UP TO 1/2"

CUSTOM DRAWING CHANGES:

© 2011 SOLARA ENCHAINMENT  
UNAUTHORIZED USE OF THIS  
PLAN IS IN VIOLATION OF THE  
U.S. COPYRIGHT ACT TITLE 17  
OF THE U.S. CODE.



DESIGN:	QUADRILLE
LINE:	HANGING MOUNT
FILE:	C-008-10SET-EL-S100-1
DATE REV:	24-FEB-11