



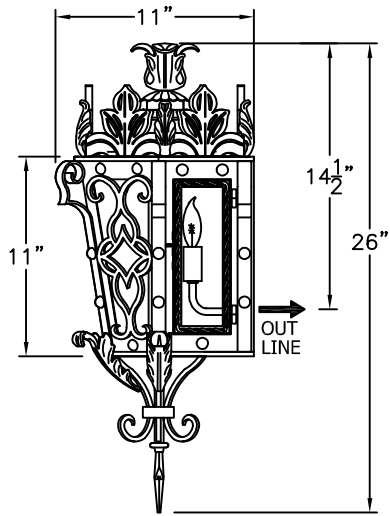
# SOLARA

Iron Doors & Lighting

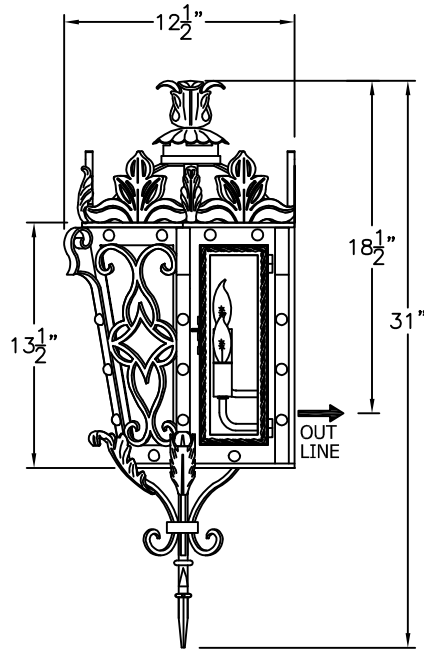


## Utopia - F012

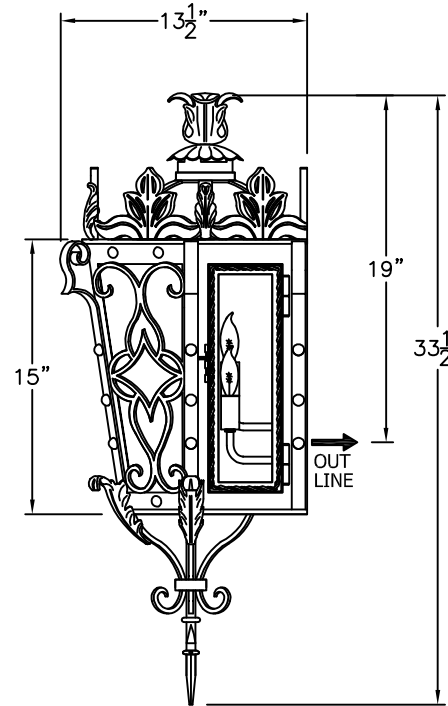




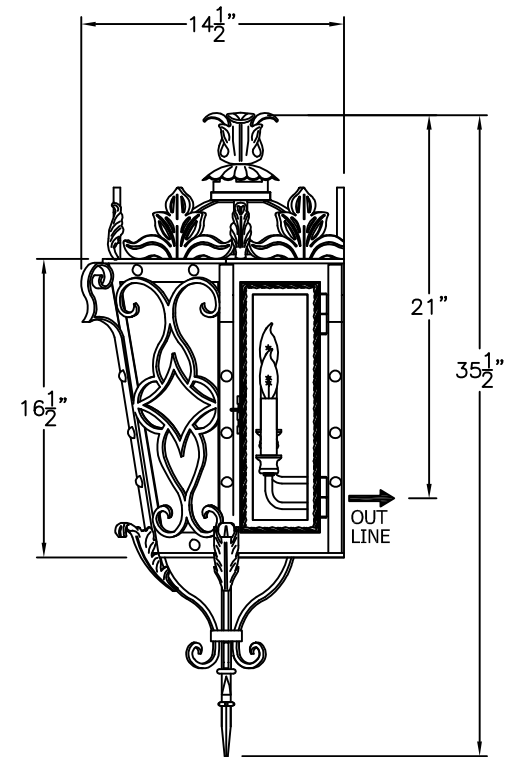
SMALL  
F-012-001  
13 1/2" W x 26" H x 11" D



MEDIUM  
F-012-002  
16" W x 31" H x 12 1/2" D



LARGE  
F-012-003  
18" W x 33 1/2" H x 13 1/2" D



X-LARGE  
F-012-004  
21" W x 35 1/2" H x 14 1/2" D

ONLY AVAILABLE  
IN ELECTRIC

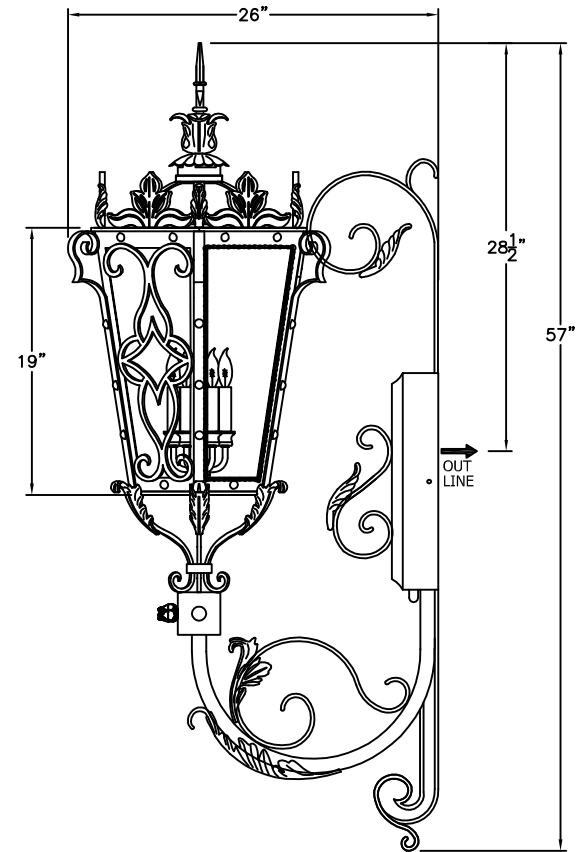
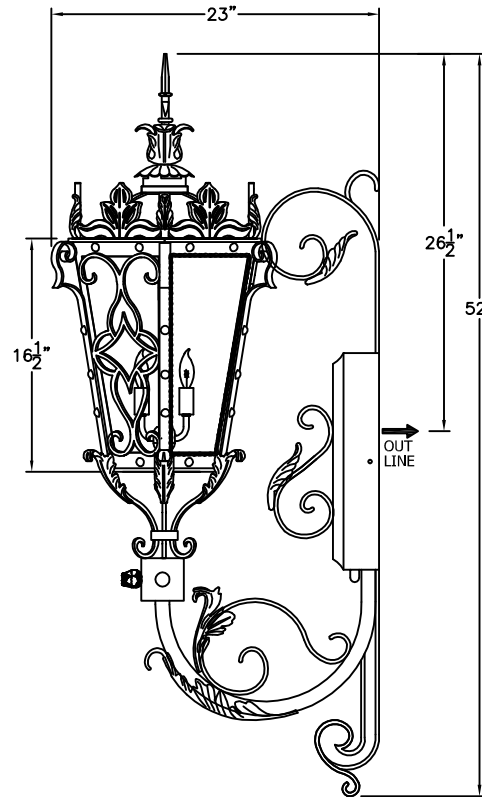
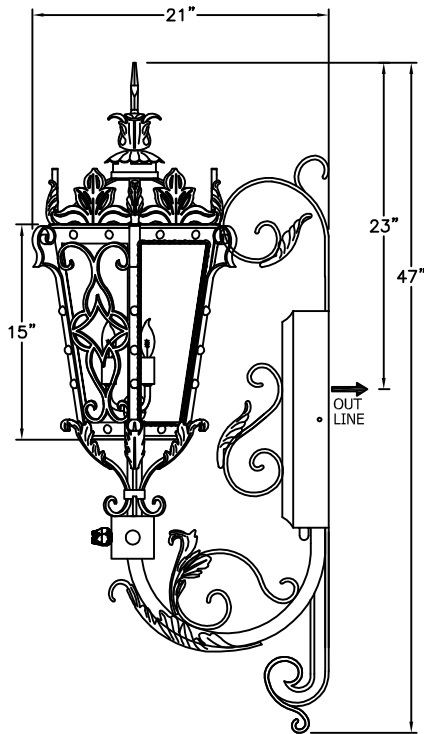
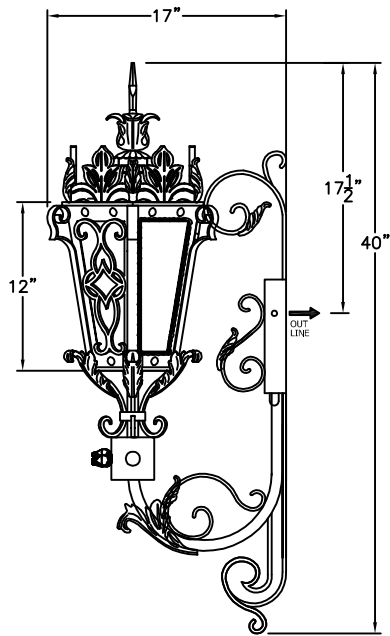
\* ACTUAL DIMENSIONS MAY VARY UP TO 1/2"

CUSTOM DRAWING CHANGES:

© 2011 SOLARA ENCHAINMENT  
UNAUTHORIZED USE OF THIS  
PLAN IS IN VIOLATION OF THE  
U.S. COPYRIGHT ACT TITLE 17  
OF THE U.S. CODE



DESIGN:	UTOPIA
LINE:	FLUSH SCONCE
FILE:	F-012-00SET-EL-S100-1
DATE REV:	11-OCT-11



SMALL  
F-012-011

13 1/2" W x 40" H x 17" D

MEDIUM  
F-012-012

16" W x 47" H x 21" D

LARGE  
F-012-013

18" W x 52" H x 23" D

X-LARGE  
F-012-014

21" W x 57" H x 26" D

AVAILABLE IN  
GAS & ELECTRIC  
WITH EXCEPTION  
OF SMALL SIZE

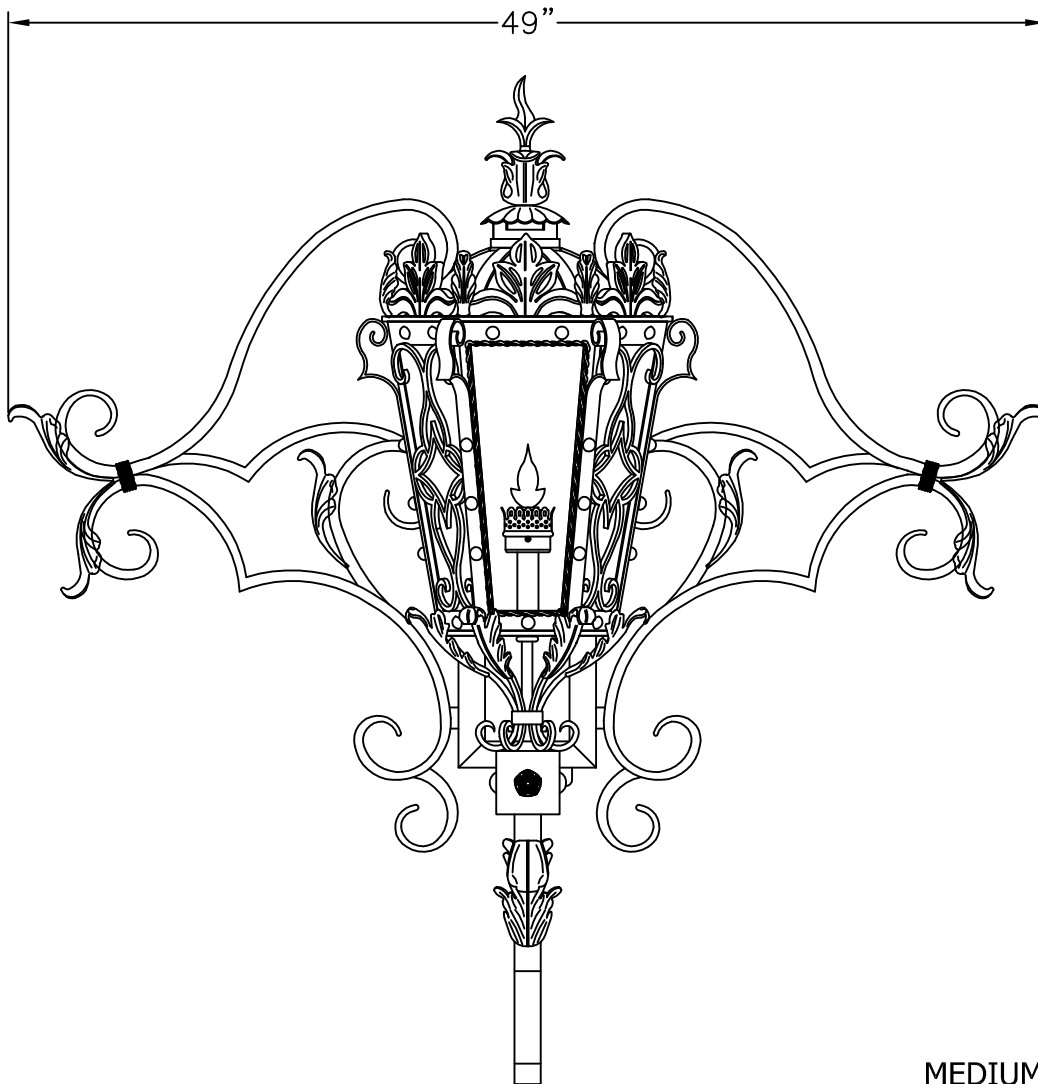
\* ACTUAL DIMENSIONS MAY VARY UP TO 1/2"

CUSTOM DRAWING CHANGES:

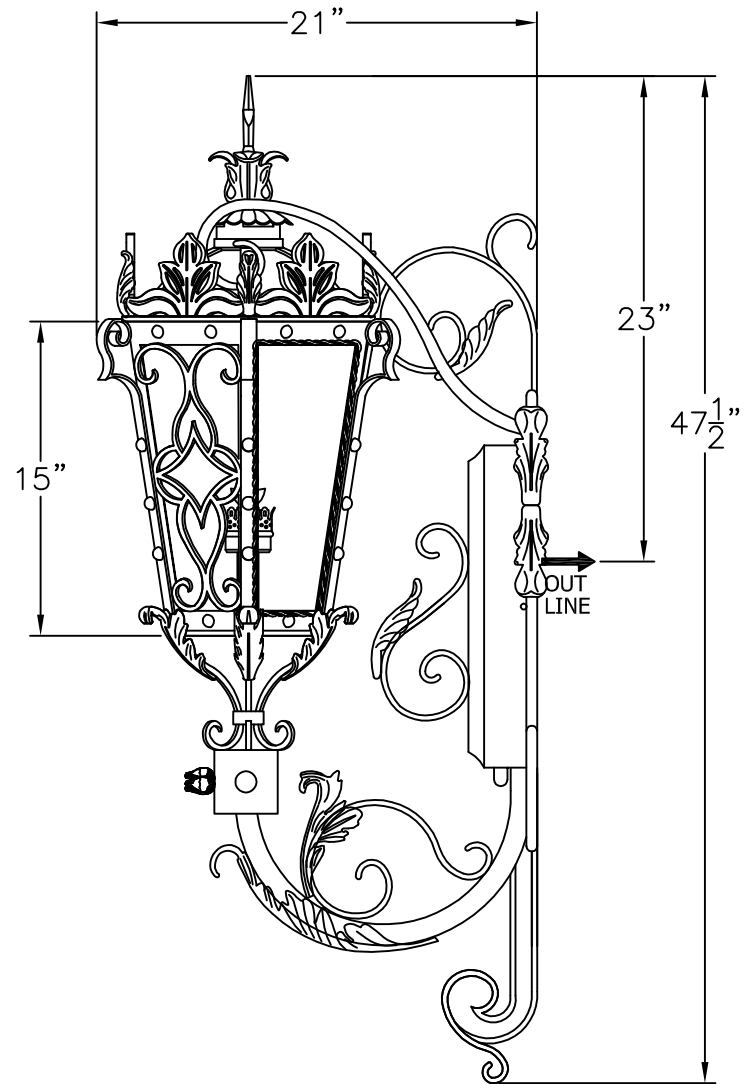
© 2011 SOLARA ENCHAINMENT  
UNAUTHORIZED USE OF THIS  
PLAN IS IN VIOLATION OF THE  
U.S. COPYRIGHT ACT TITLE 17  
OF THE U.S. CODE



DESIGN:	UTOPIA
LINE:	WALL MOUNT
FILE:	F-012-01SET-EL-S100-2
DATE REV:	11-OCT-11



FRONT VIEW



SIDE VIEW

MEDIUM  
F-012-022  
49" W x 47 $\frac{1}{2}$ " H x 21" D

AVAILABLE IN  
GAS & ELECTRIC  
WITH EXCEPTION  
OF SMALL SIZE

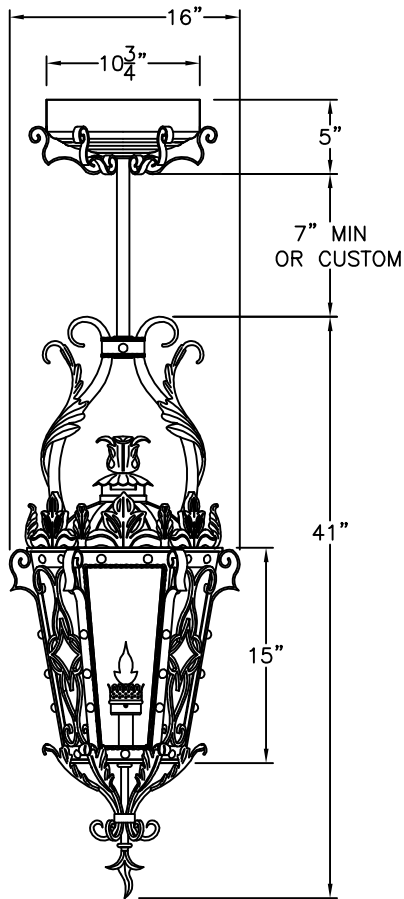
\* ACTUAL DIMENSIONS MAY VARY UP TO 1/2"

CUSTOM DRAWING CHANGES:

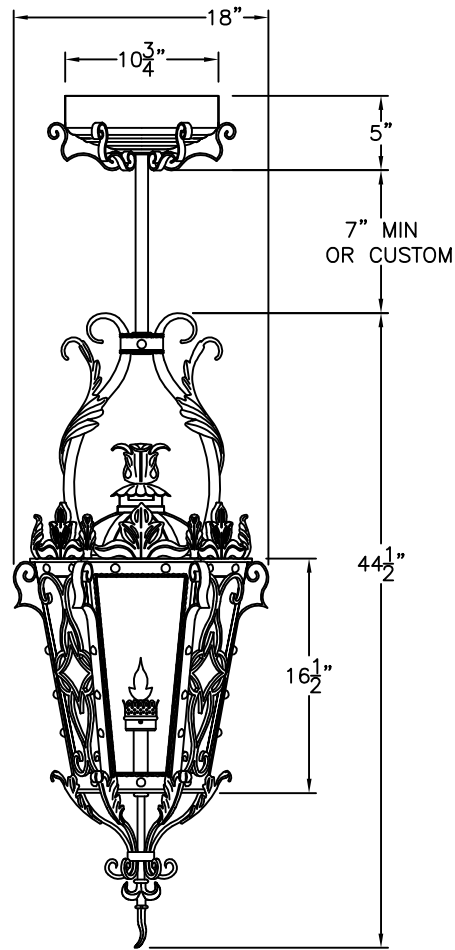
© 2011 SOLARA ENCHAINMENT  
UNAUTHORIZED USE OF THIS  
PLAN IS IN VIOLATION OF THE  
U.S. COPYRIGHT ACT TITLE 17  
OF THE U.S. CODE



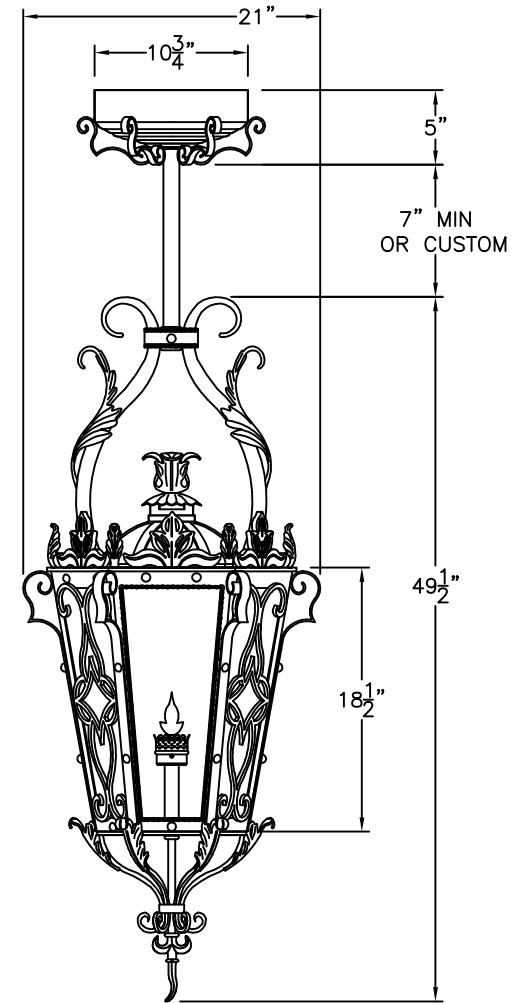
DESIGN:	UTOPIA
LINE:	CENTRAL MOUNT
FILE:	F-012-022-EG-S100-1
DATE REV:	11-OCT-11



MEDIUM  
F-012-032  
16" W x 41" H x 14" D



LARGE  
F-012-033  
18" W x 44 1/2" H x 15 1/2" D



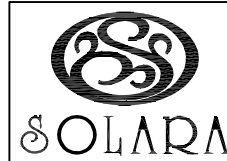
X-LARGE  
F-012-034  
21" W x 49 1/2" H x 18" D

AVAILABLE IN  
GAS & ELECTRIC  
WITH EXCEPTION  
OF SMALL SIZE

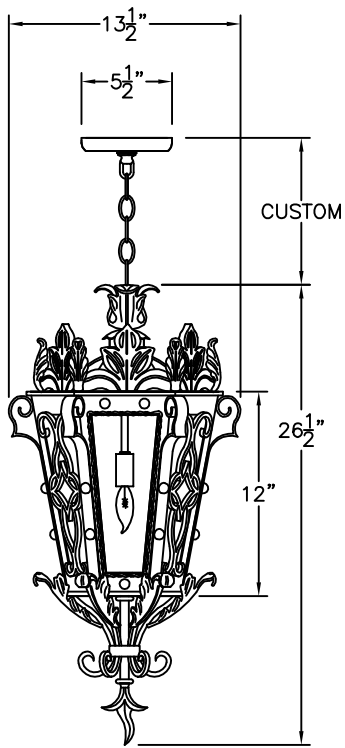
\* ACTUAL DIMENSIONS MAY VARY UP TO 1/2"

CUSTOM DRAWING CHANGES:

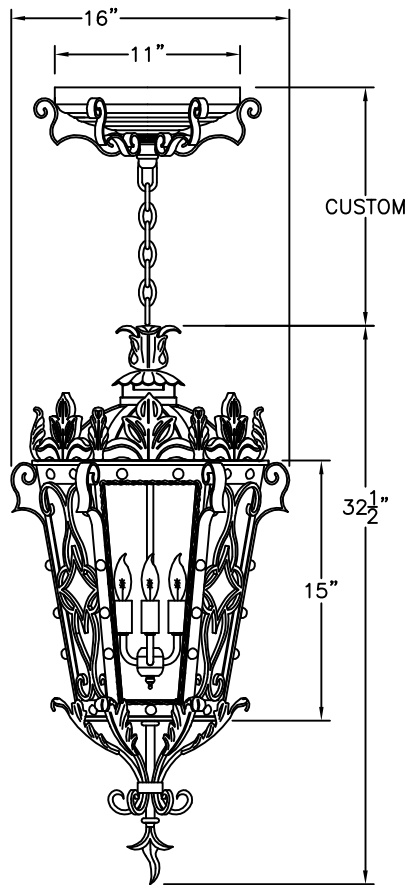
© 2011 SOLARA ENCHAINMENT  
UNAUTHORIZED USE OF THIS  
PLAN IS IN VIOLATION OF THE  
U.S. COPYRIGHT ACT TITLE 17  
OF THE U.S. CODE



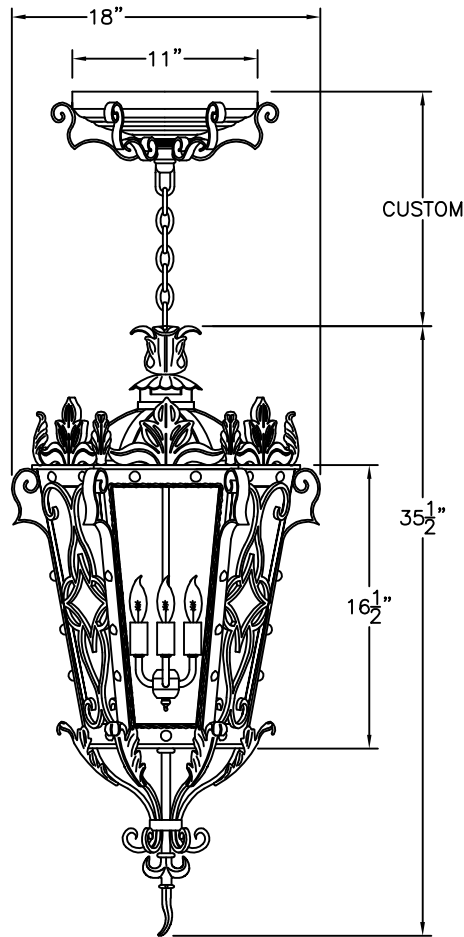
DESIGN:	UTOPIA
LINE:	PENDANT STEM
FILE:	F-012-03SET-EG-S100-2
DATE REV:	11-OCT-11



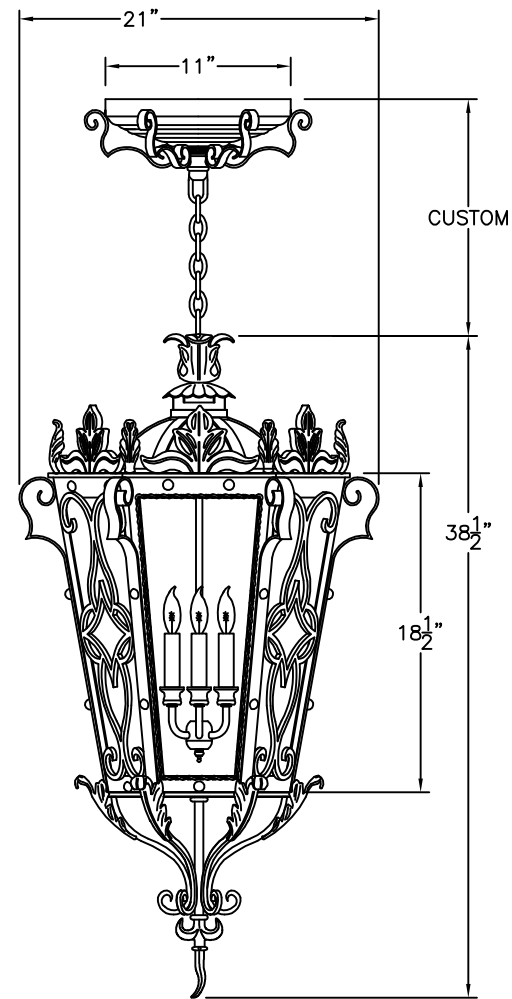
SMALL  
F-012-041  
13 1/2" W x 26 1/2" H x 11 1/2" D



MEDIUM  
F-012-042  
16" W x 32 1/2" H x 14" D



LARGE  
F-012-043  
18" W x 35 1/2" H x 15 1/2" D



X-LARGE  
F-012-044  
21" W x 38 1/2" H x 18" D

ONLY AVAILABLE  
IN ELECTRIC

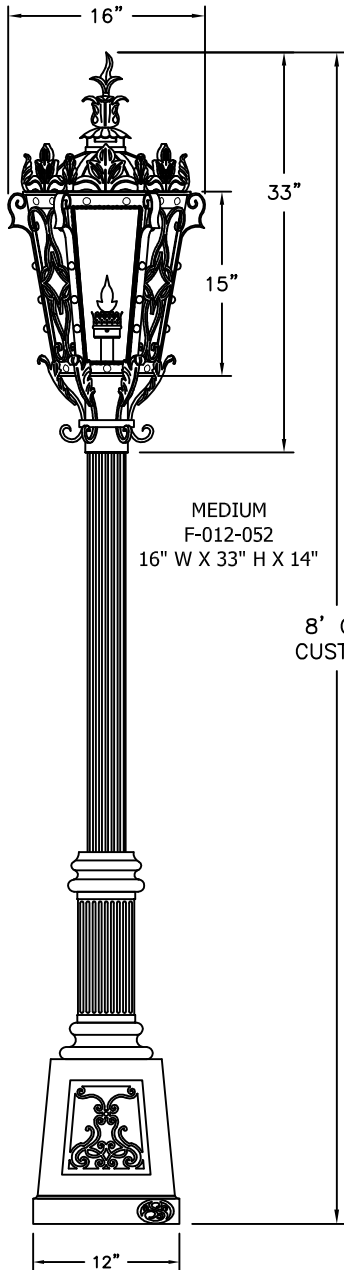
\* ACTUAL DIMENSIONS MAY VARY UP TO 1/2"

CUSTOM DRAWING CHANGES:

© 2011 SOLARA ENCHAINMENT  
UNAUTHORIZED USE OF THIS  
PLAN IS IN VIOLATION OF THE  
U.S. COPYRIGHT ACT TITLE 17  
OF THE U.S. CODE



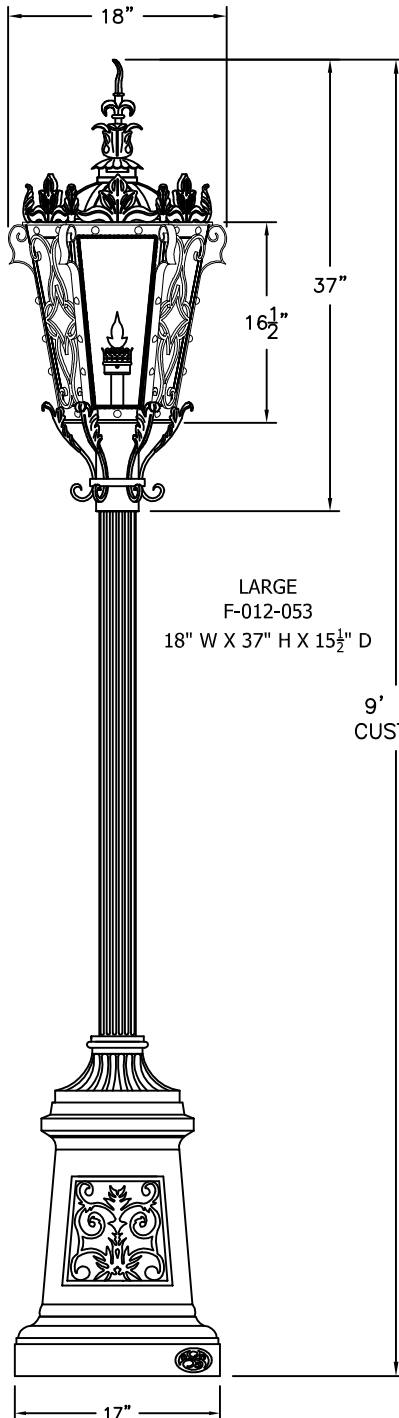
DESIGN:	UTOPIA
LINE:	PENDANT CHAIN
FILE:	F-012-04SET-EL-S100-2
DATE REV:	11-OCT-11



MEDIUM  
F-012-052  
16" W X 33" H X 14"

8' OR  
CUSTOM

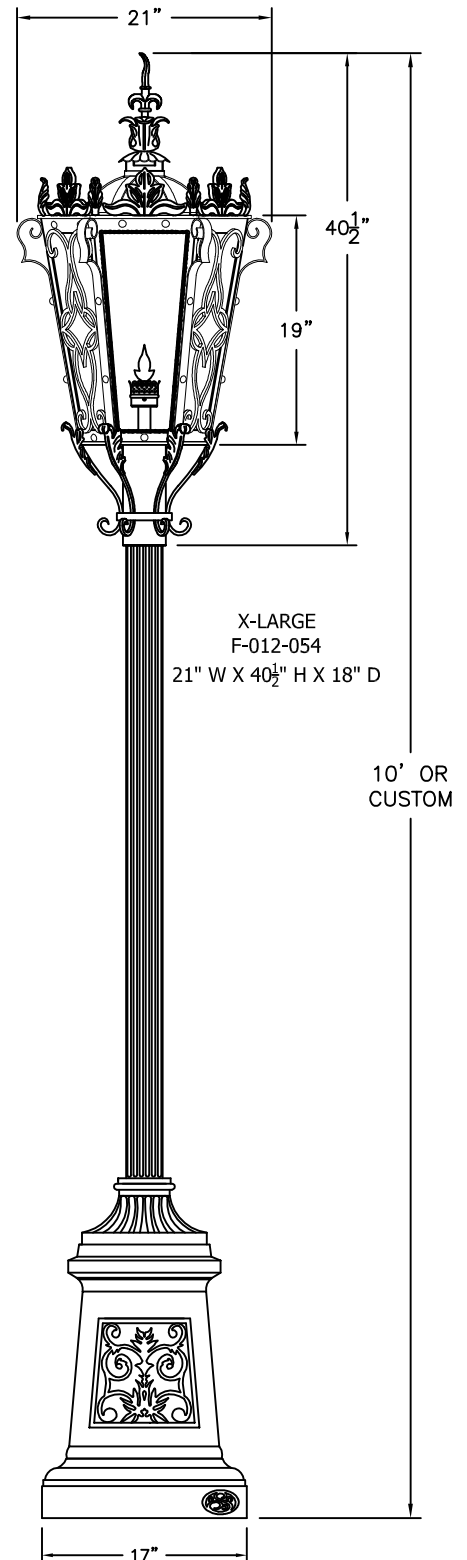
SOLARA BASE



LARGE  
F-012-053  
18" W X 37" H X 15½" D

9' OR  
CUSTOM

MUNICH BASE



X-LARGE  
F-012-054  
21" W X 40½" H X 18" D

10' OR  
CUSTOM

AVAILABLE IN  
GAS & ELECTRIC  
WITH EXCEPTION  
OF SMALL SIZE

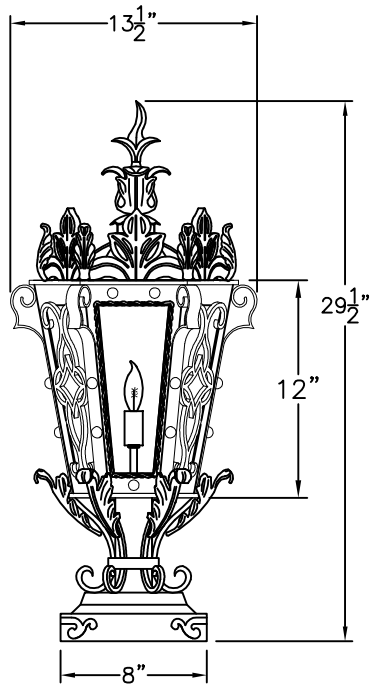
\* POST ARE SOLD SEPARATELY  
\* ACTUAL DIMENSIONS MAY VARY UP TO 1/2"

CUSTOM DRAWING CHANGES:

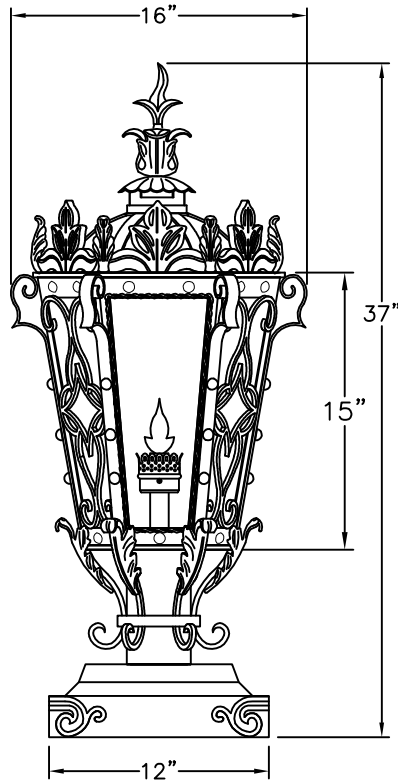
© 2011 SOLARA ENCHAINMENT  
UNAUTHORIZED USE OF THIS  
PLAN IS IN VIOLATION OF THE  
U.S. COPYRIGHT ACT TITLE 17  
OF THE U.S. CODE



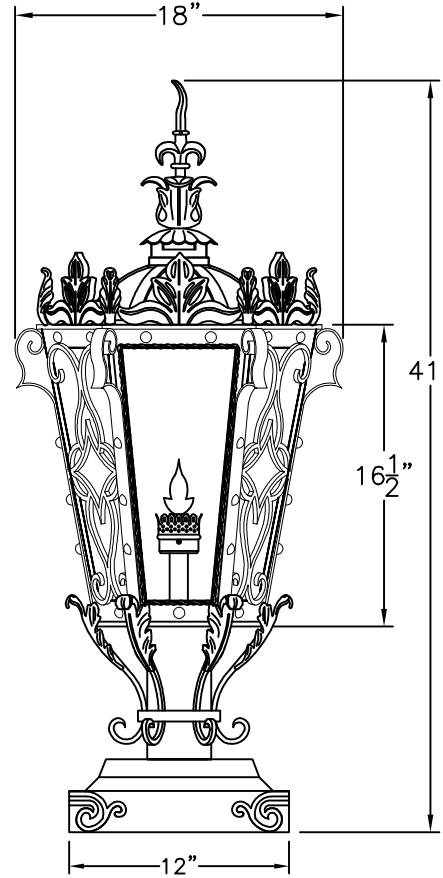
DESIGN: UTOPIA  
LINE: POST MOUNT  
FILE: F-012-05SET-EG-S100-2  
DATE REV: 12-OCT-11



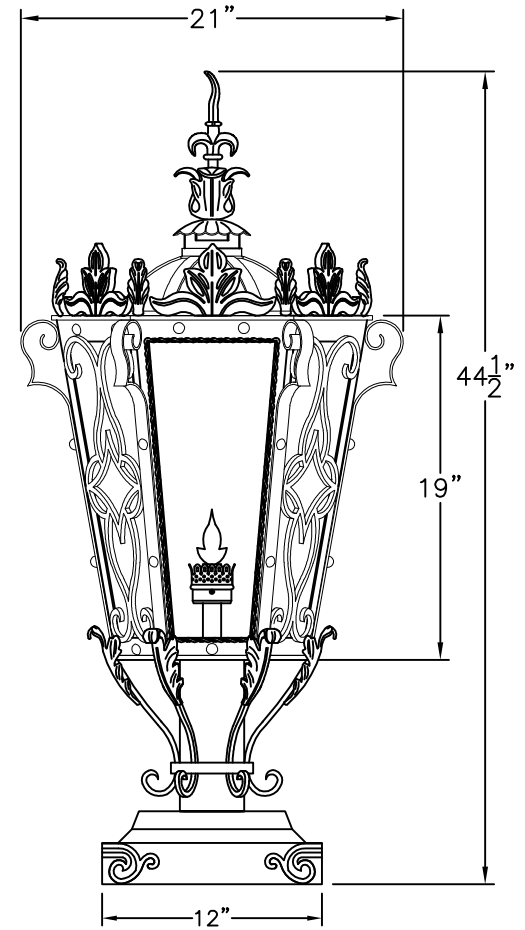
SMALL  
F-012-061  
13½" W X 29½" H X 11 ½" D



MEDIUM  
F-012-062  
16" W X 37" H X 14" D



LARGE  
F-012-063  
18" W X 41" H X 15½" D



X-LARGE  
F-012-064  
21" W X 44½" H X 18" D

AVAILABLE IN  
GAS & ELECTRIC  
WITH EXCEPTION  
OF SMALL SIZE

\* ACTUAL DIMENSIONS MAY VARY UP TO 1/2"

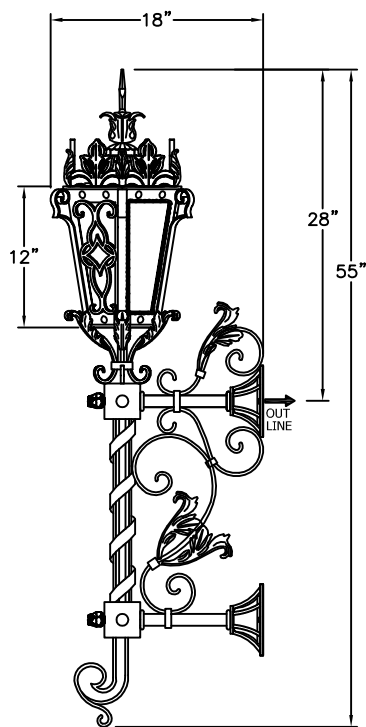
CUSTOM DRAWING CHANGES:

© 2011 SOLARA ENCHAINMENT  
UNAUTHORIZED USE OF THIS  
PLAN IS IN VIOLATION OF THE  
U.S. COPYRIGHT ACT TITLE 17  
OF THE U.S. CODE

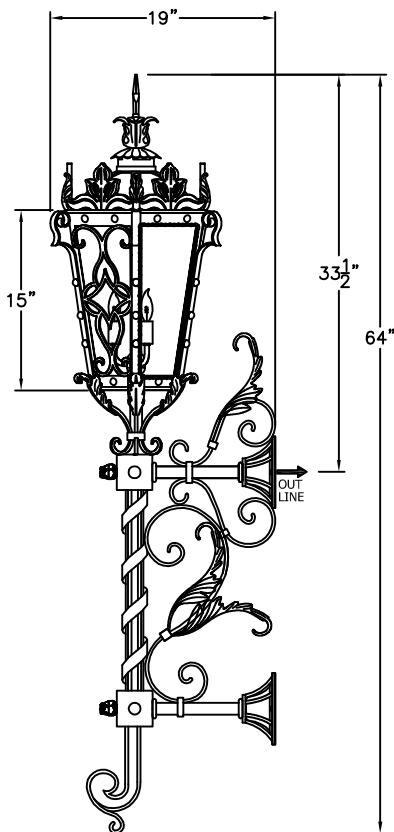


DESIGN:	UTOPIA
LINE:	PIER MOUNT
FILE:	F-012-06SET-EG-S100-2
DATE REV:	12-OCT-11

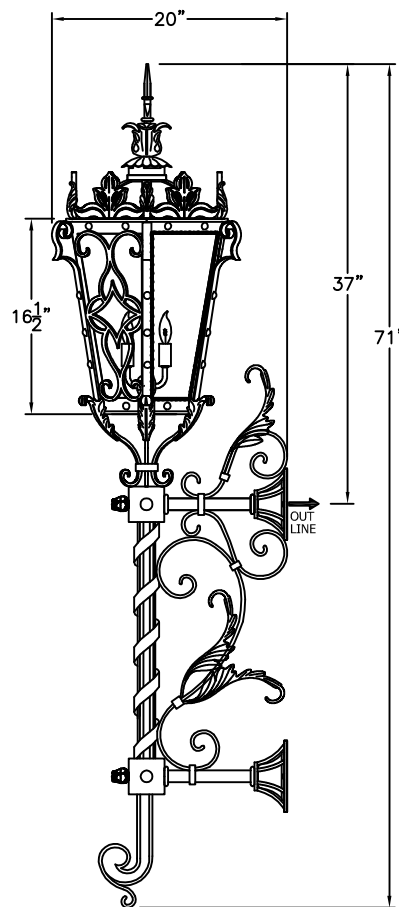




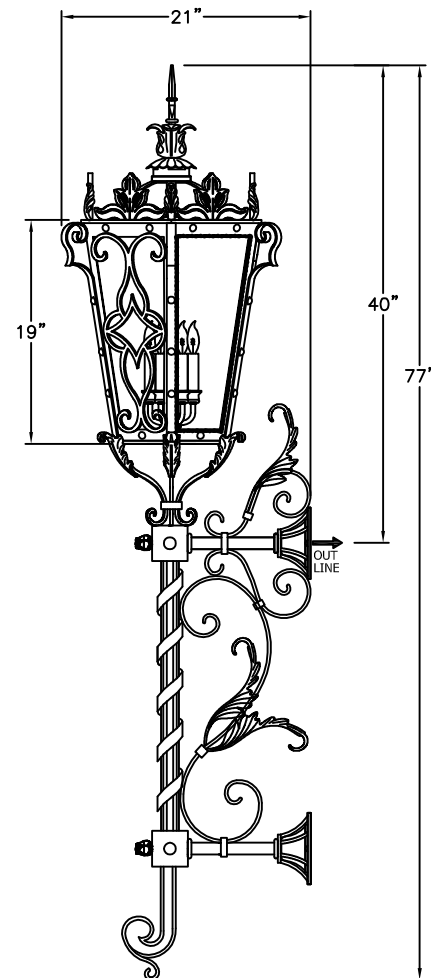
SMALL  
F-012-081  
13½" W x 55 H x 18" D



MEDIUM  
F-012-082  
16" W x 64 H x 19" D



LARGE  
F-012-083  
17 ½" W x 71" H x 20" D



X-LARGE  
F-012-084  
21" W x 77" H x 21" D

ONLY AVAILABLE IN  
MANUAL GAS & ELECTRIC  
WITH EXCEPTION OF SMALL SIZE

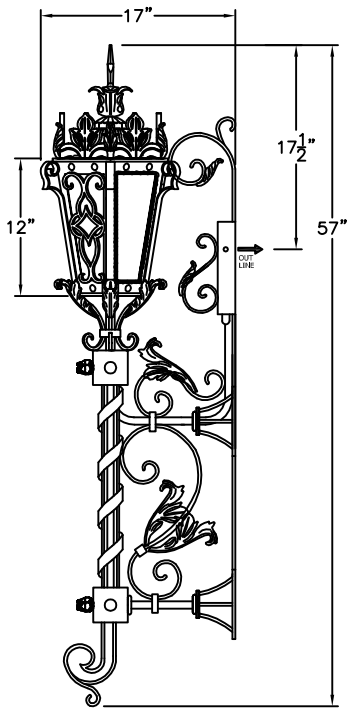
\* ACTUAL DIMENSIONS MAY VARY UP TO 1/2"

CUSTOM DRAWING CHANGES:

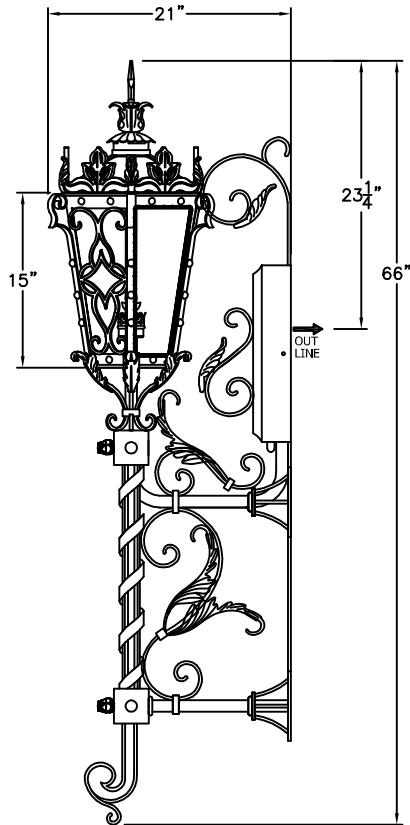
© 2011 SOLARA ENCHAINMENT  
UNAUTHORIZED USE OF THIS  
PLAN IS IN VIOLATION OF THE  
U.S. COPYRIGHT ACT TITLE 17  
OF THE U.S. CODE



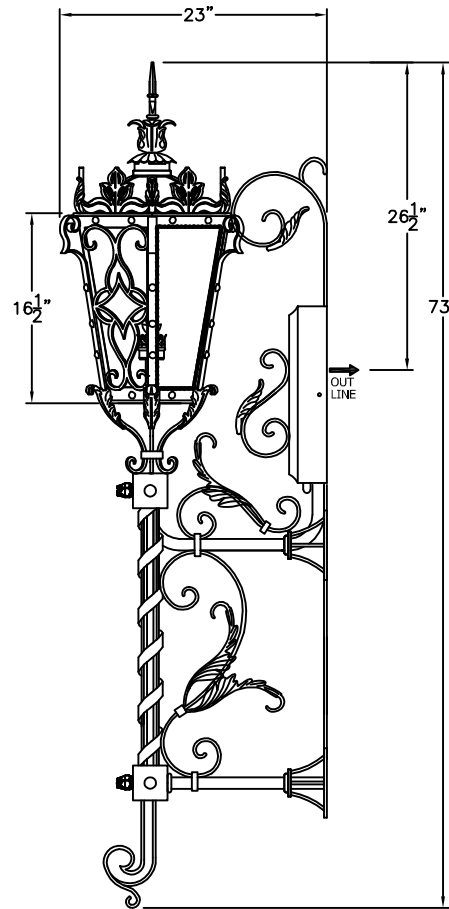
DESIGN:	UTOPIA
LINE:	TORCH MOUNT
FILE:	F-012-08SET-EL-S100-2
DATE REV:	12-OCT-11



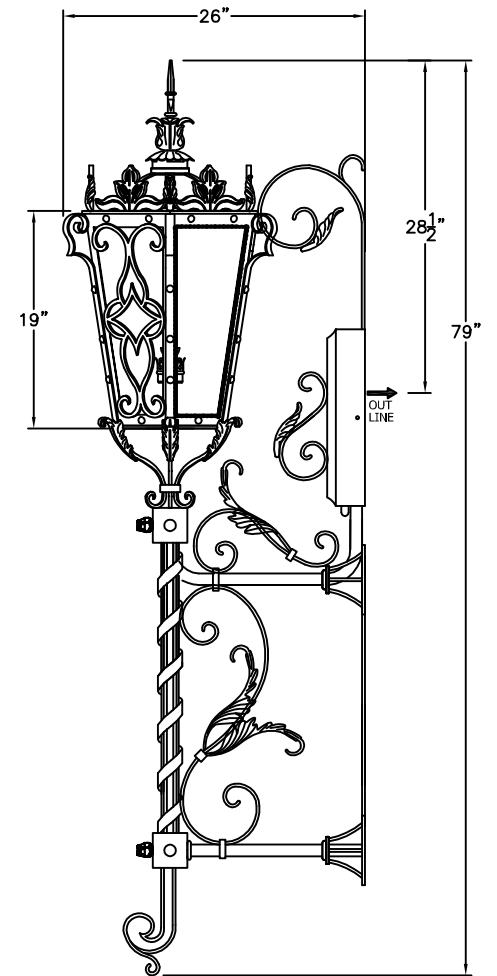
SMALL  
F-012-081  
13½" W x 57" H x 17" D



MEDIUM  
F-012-082  
16" W x 66" H x 21" D



LARGE  
F-012-083  
18" W x 73" H x 23" D



X-LARGE  
F-012-084  
21" W x 79" H x 26" D

AVAILABLE IN  
GAS & ELECTRIC  
WITH EXCEPTION  
OF SMALL SIZE

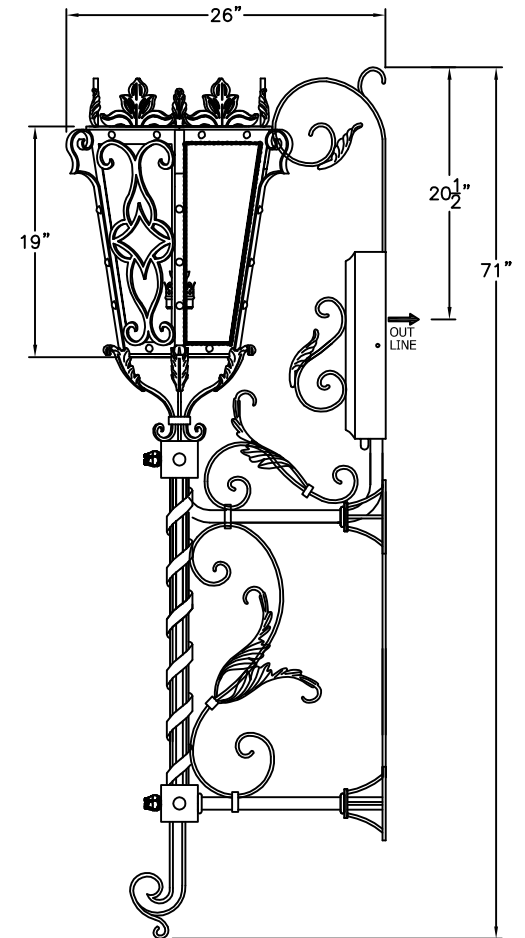
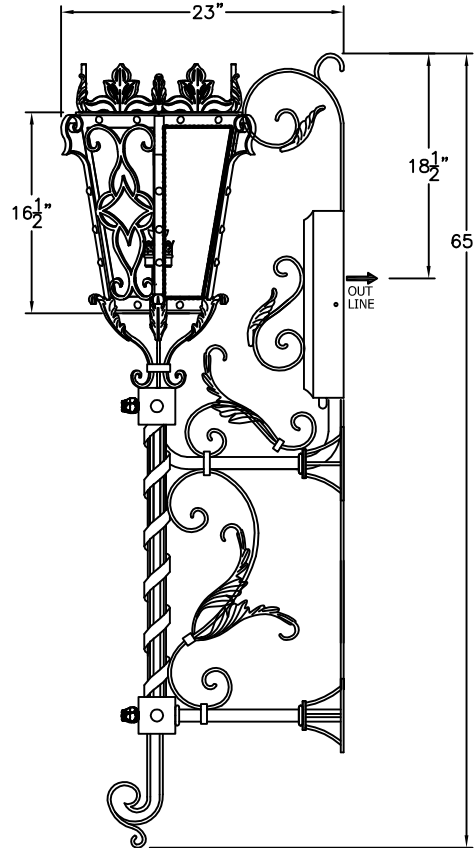
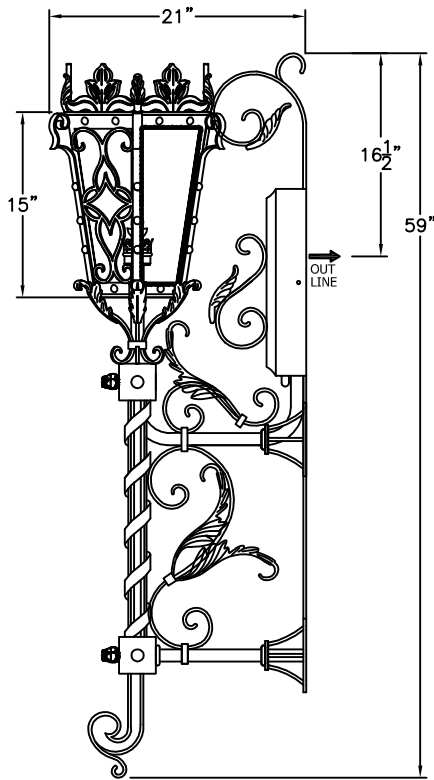
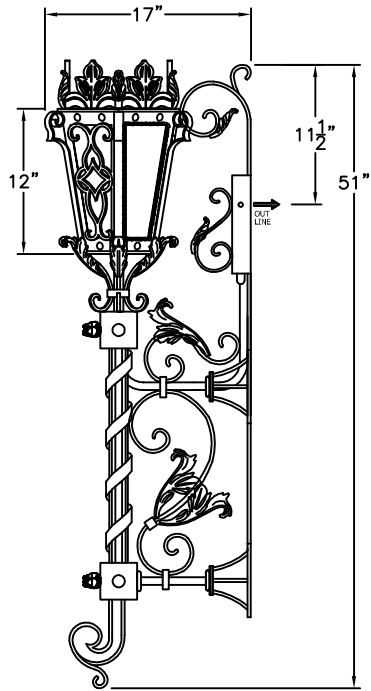
\* ACTUAL DIMENSIONS MAY VARY UP TO 1/2"

CUSTOM DRAWING CHANGES:

© 2011 SOLARA ENCHAINMENT  
UNAUTHORIZED USE OF THIS  
PLAN IS IN VIOLATION OF THE  
U.S. COPYRIGHT ACT TITLE 17  
OF THE U.S. CODE



DESIGN:	UTOPIA
LINE:	TORCH MOUNT
FILE:	F-012-08SET-EG-S100-2
DATE REV:	12-OCT-11



SMALL  
F-012-091

13 1/2" W x 51" H x 17" D

MEDIUM  
F-012-092

16" W x 59" H x 21" D

LARGE  
F-012-093

18" W x 65" H x 23" D

X-LARGE  
F-012-094

21" W x 71" H x 26" D

AVAILABLE IN  
GAS & ELECTRIC  
WITH EXCEPTION  
OF SMALL SIZE

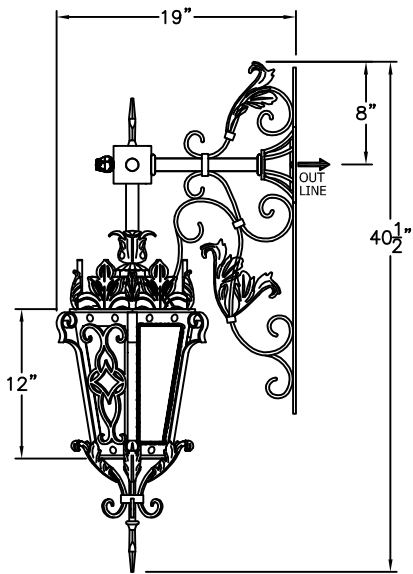
\* ACTUAL DIMENSIONS MAY VARY UP TO 1/2"

CUSTOM DRAWING CHANGES:

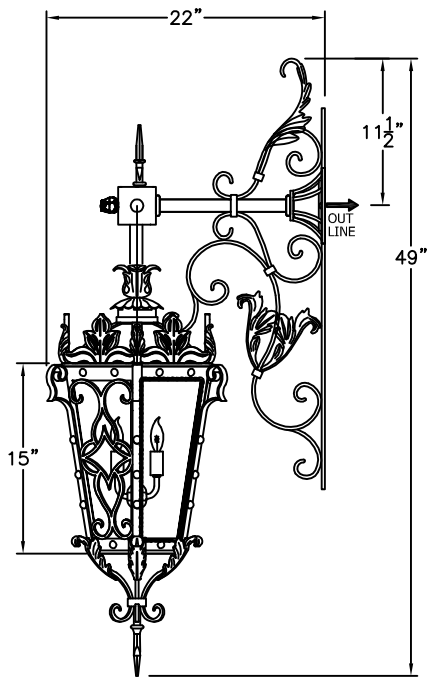
© 2011 SOLARA ENCHAINMENT  
UNAUTHORIZED USE OF THIS  
PLAN IS IN VIOLATION OF THE  
U.S. COPYRIGHT ACT TITLE 17  
OF THE U.S. CODE



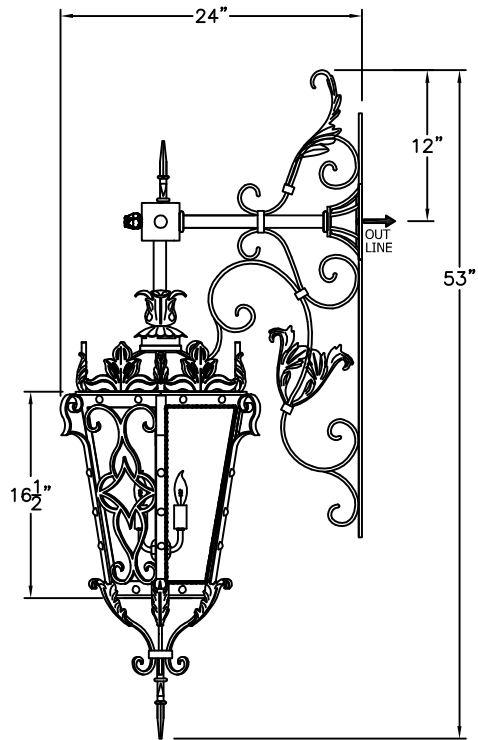
DESIGN:	UTOPIA
LINE:	TORCH MOUNT
FILE:	F-012-09SET-EG-S100-2
DATE REV:	12-OCT-11



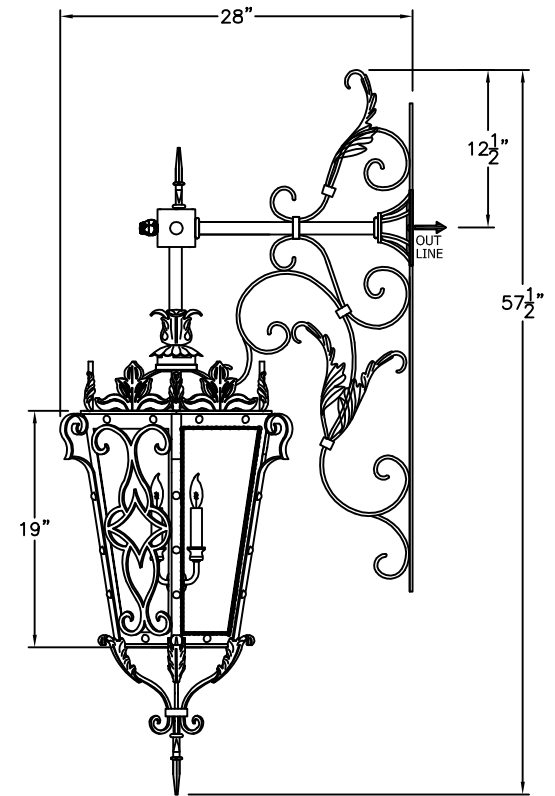
SMALL  
F-012-101  
13 1/2" W x 40 1/2" H x 19" D



MEDIUM  
F-012-102  
16" W x 49" H x 22" D



LARGE  
F-012-103  
18" W x 53" H x 24" D



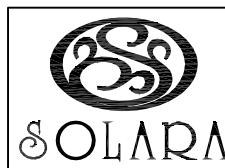
X-LARGE  
F-012-104  
21" W x 57 1/2" H x 28" D

ONLY AVAILABLE  
IN ELECTRIC

\* ACTUAL DIMENSIONS MAY VARY UP TO 1/2"

CUSTOM DRAWING CHANGES:

© 2011 SOLARA ENCHAINMENT  
UNAUTHORIZED USE OF THIS  
PLAN IS IN VIOLATION OF THE  
U.S. COPYRIGHT ACT TITLE 17  
OF THE U.S. CODE



DESIGN:	UTOPIA
LINE:	HANGING MOUNT
FILE:	F-012-10SET-EL-S100-2
DATE REV:	12-OCT-11