



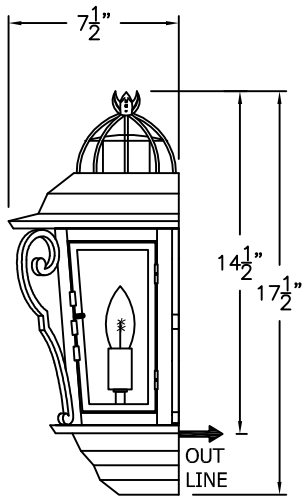
# SOLARA

Iron Doors & Lighting

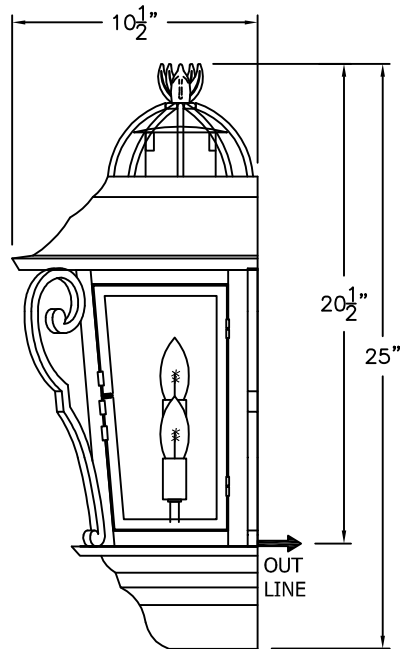


## Amsterdam - D003

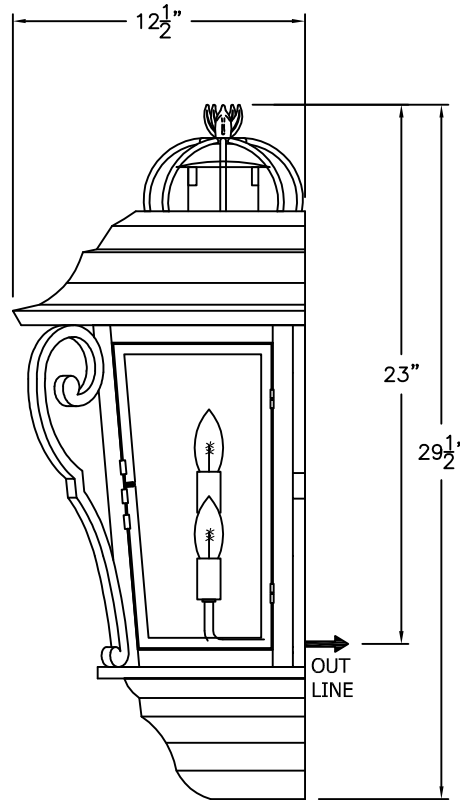




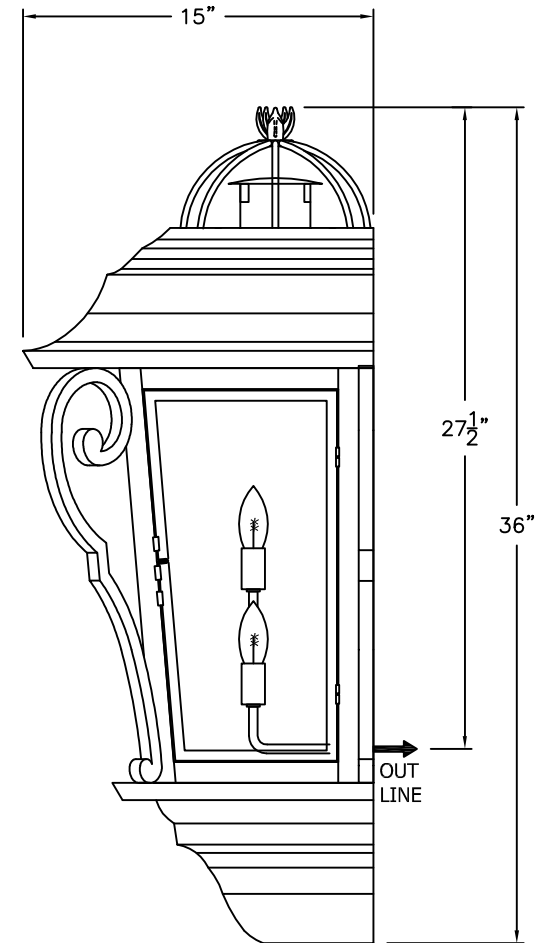
SMALL  
D-003-001  
10" W X 17 1/2" H X 7 1/2" D



MEDIUM  
D-003-002  
14 1/2" W X 25" H X 10 1/2" D



LARGE  
D-003-003  
18" W X 29 1/2" H X 12 1/2" D



X-LARGE  
D-003-004  
21 1/2" W X 36" H X 15" D

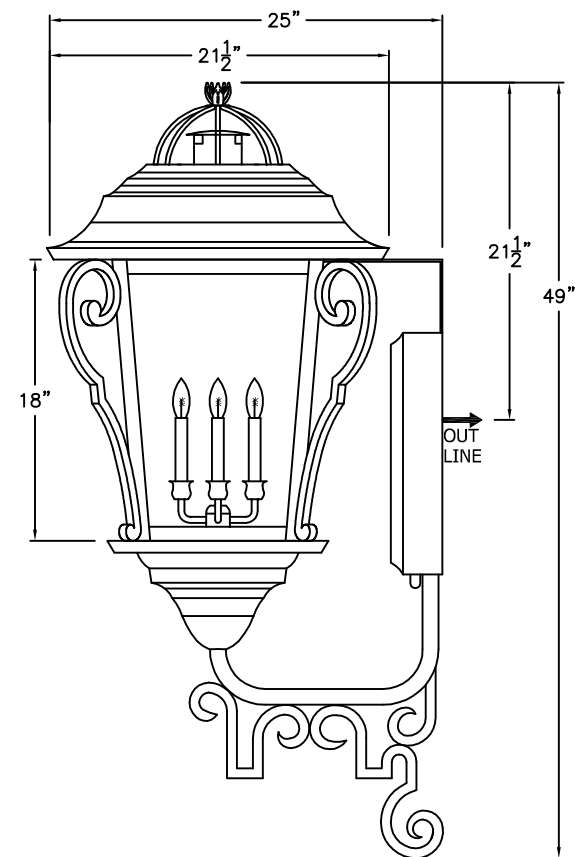
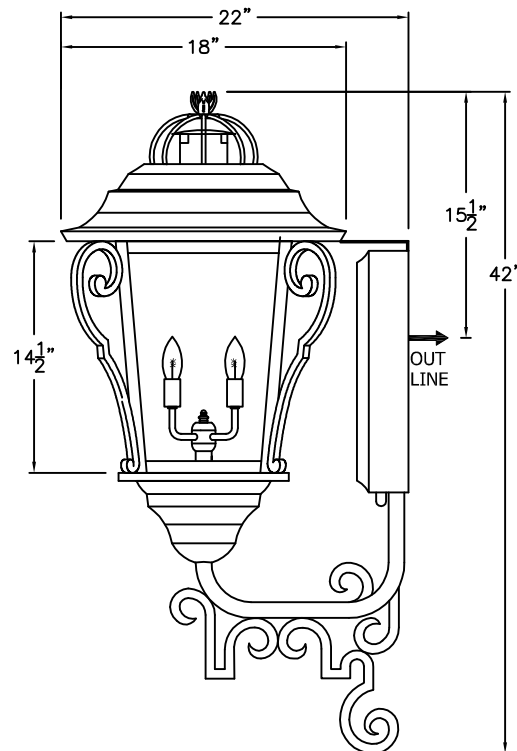
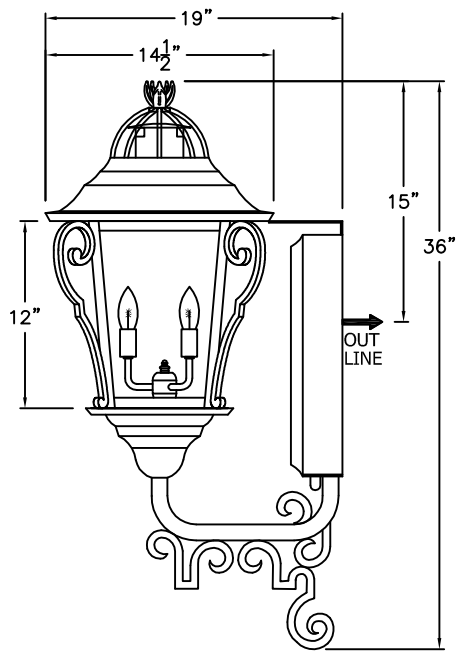
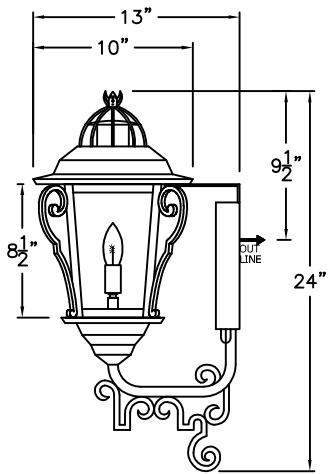
ONLY AVAILABLE  
IN ELECTRIC

CUSTOM DRAWING CHANGES:

© 2010 SOLARA ENCHAINMENT  
UNAUTHORIZED USE OF THIS  
PLAN IS IN VIOLATION OF THE  
U.S. COPYRIGHT ACT TITLE 17



DESIGN:	AMSTERDAM
LINE:	SCONCE MOUNT
FILE:	D-003-00SET-EL-S100-1
DATE REV:	30-JUNE-2010



**SMALL**  
D-003-011

10" W X 24" H X 13" D

**MEDIUM**  
D-003-012

14 1/2" W X 36" H X 19" D

**LARGE**  
D-003-013

18" W X 42" H X 22" D

**X-LARGE**  
D-003-014

21 1/2" W X 49" H X 25" D

AVAILABLE IN  
GAS & ELECTRIC  
WITH EXCEPTION  
OF SMALL SIZE

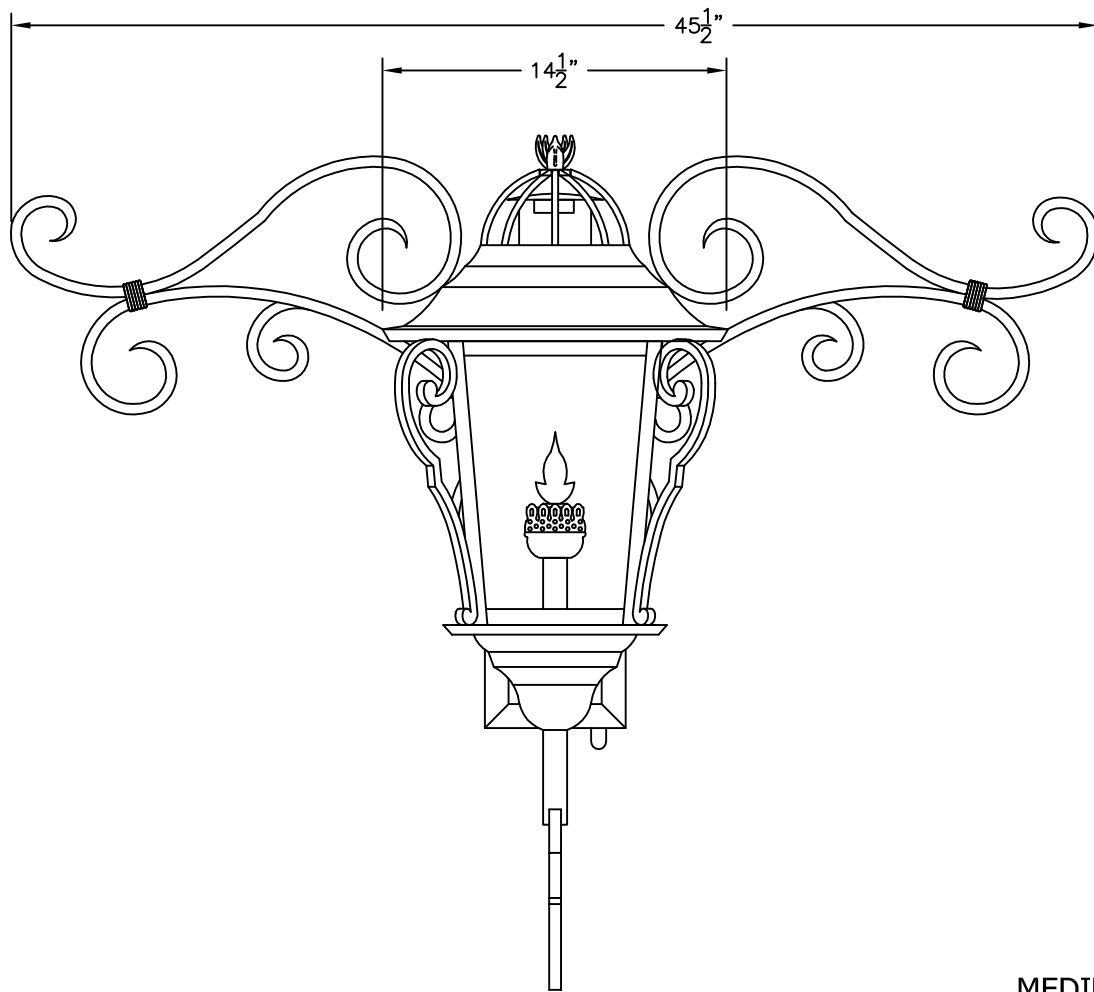
\* ACTUAL DIMENSIONS MAY VARY UP TO 1/2"

CUSTOM DRAWING CHANGES:

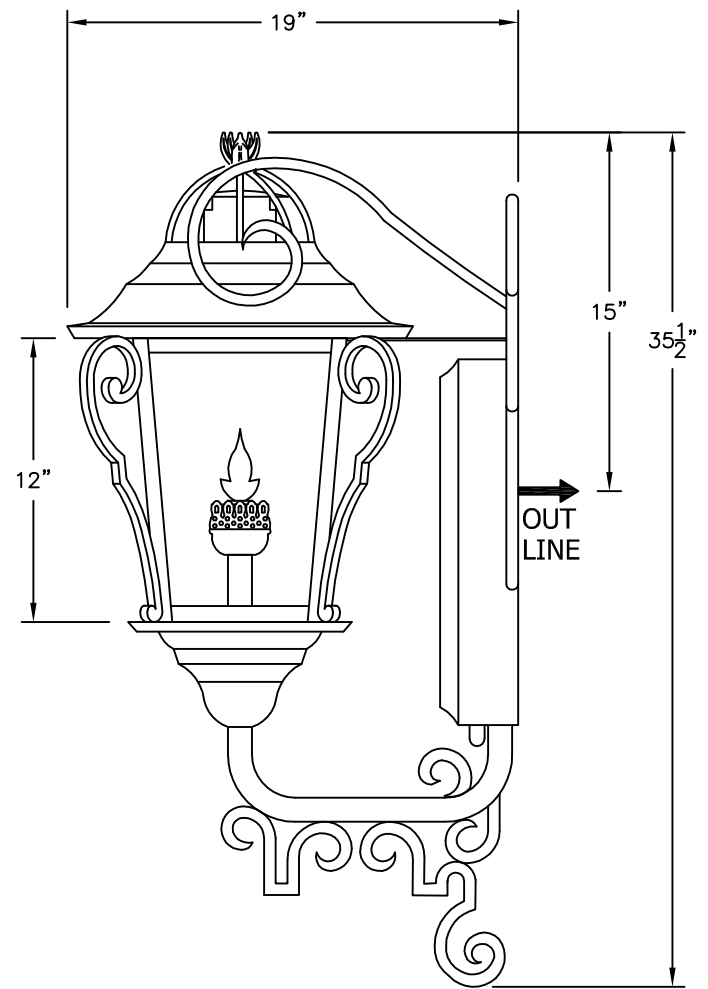
© 2010 SOLARA ENCHAINMENT  
UNAUTHORIZED USE OF THIS  
PLAN IS IN VIOLATION OF THE  
U.S. COPYRIGHT ACT TITLE 17



DESIGN:	AMSTERDAM
LINE:	WALL MOUNT
FILE:	D-003-01SET-EL-S100-1
DATE REV:	08-JUNE-2010



FRONT VIEW



SIDE VIEW

MEDIUM  
D-003-022

45 1/2" W X 35 1/2" H X 19" D

AVAILABLE IN  
GAS & ELECTRIC  
WITH EXCEPTION  
OF SMALL SIZE

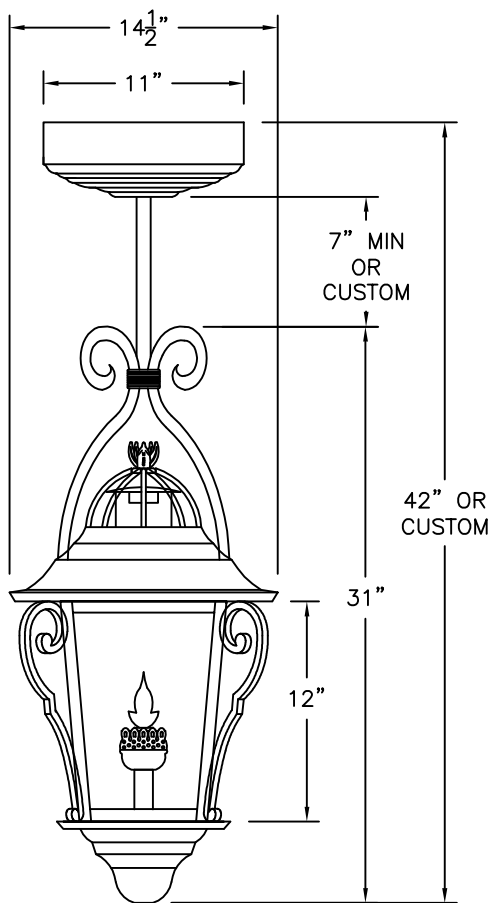
\* ACTUAL DIMENSIONS MAY VARY UP TO 1/2"

CUSTOM DRAWING CHANGES:

© 2010 SOLARA ENCHAINMENT  
UNAUTHORIZED USE OF THIS  
PLAN IS IN VIOLATION OF THE  
U.S. COPYRIGHT ACT TITLE 17

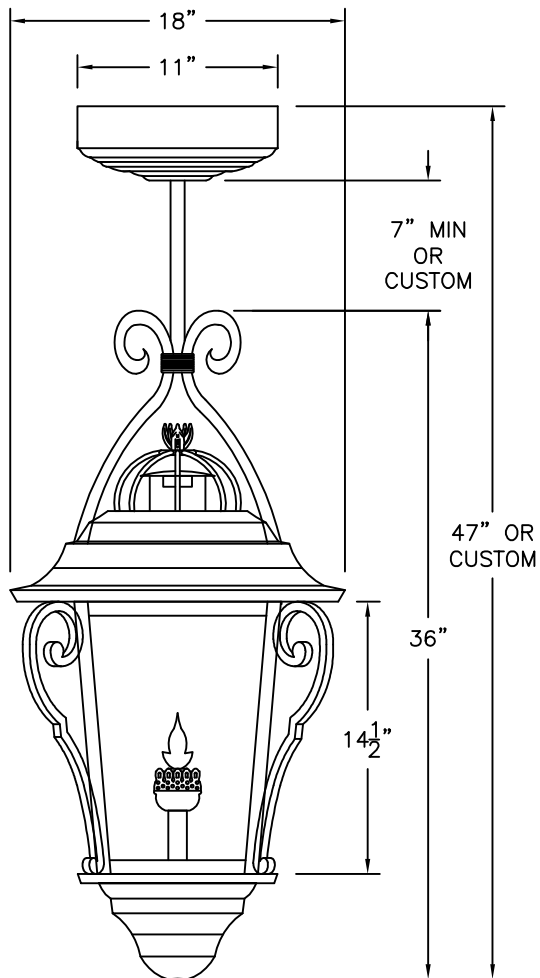


DESIGN:	AMSTERDAM
LINE:	CENTRAL MOUNT
FILE:	D-003-022-EG-S100-1
DATE REV:	30-JUNE-2010

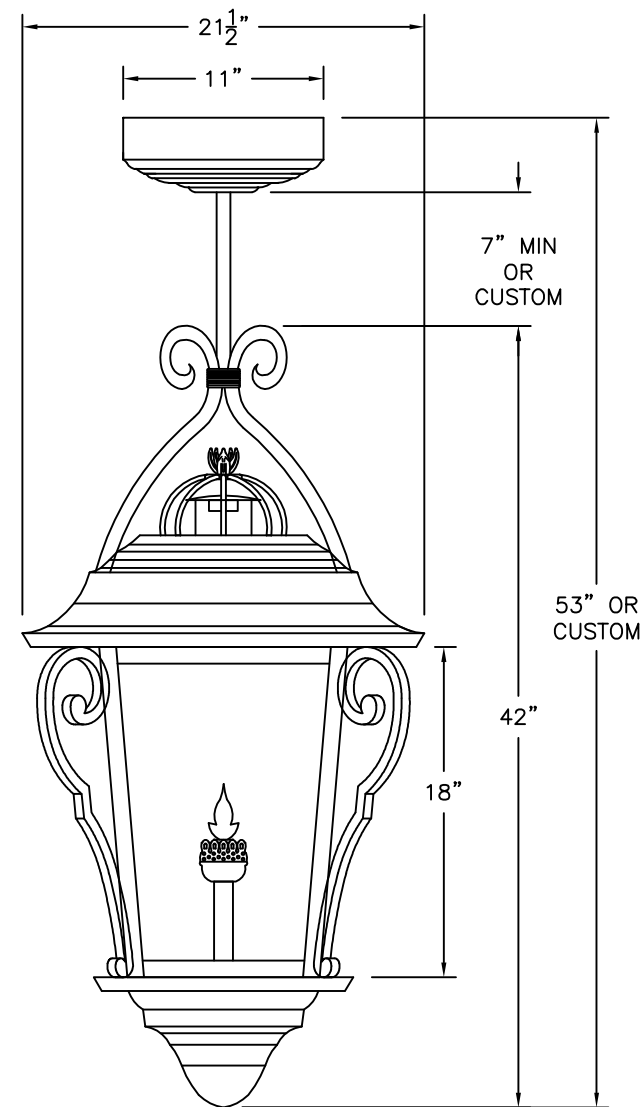


AVAILABLE IN  
GAS & ELECTRIC  
WITH EXCEPTION  
OF SMALL SIZE

MEDIUM  
D-003-032  
14 1/2" W X 31" H



LARGE  
D-003-033  
18" W X 36" H



X-LARGE  
D-003-034  
21 1/2" W X 42" H

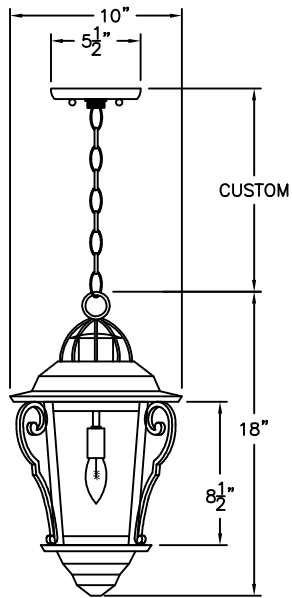
\* ACTUAL DIMENSIONS MAY VARY UP TO 1/2"

CUSTOM DRAWING CHANGES:

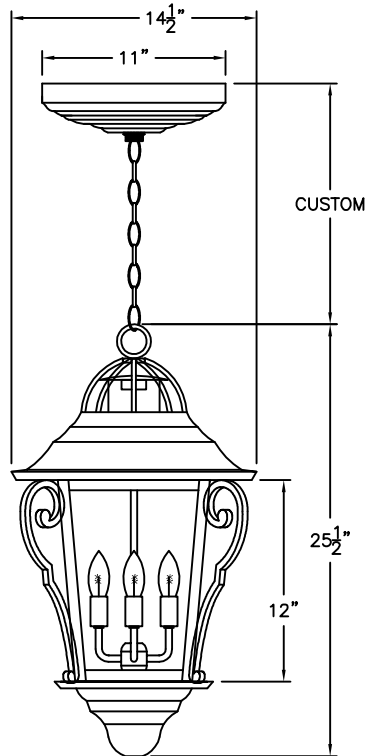
© 2010 SOLARA ENCHAINMENT  
UNAUTHORIZED USE OF THIS  
PLAN IS IN VIOLATION OF THE  
U.S. COPYRIGHT ACT TITLE 17



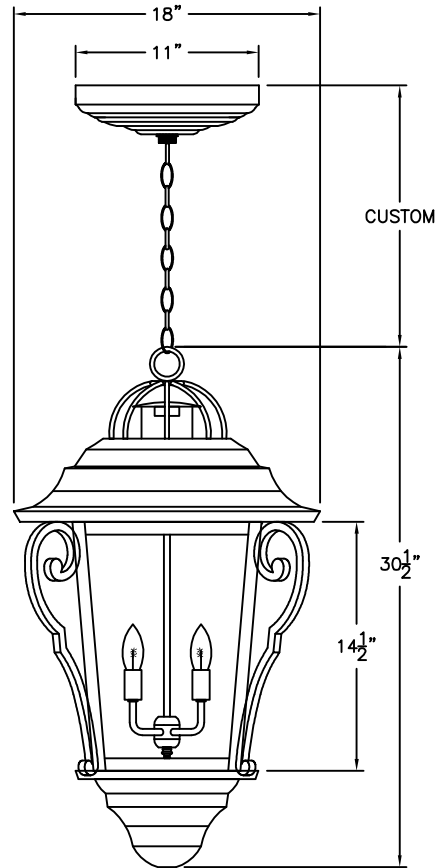
DESIGN:	AMSTERDAM
LINE:	PENDANT STEM
FILE:	D-003-03SET-EG-S100-1
DATE REV:	30-JUNE-2010



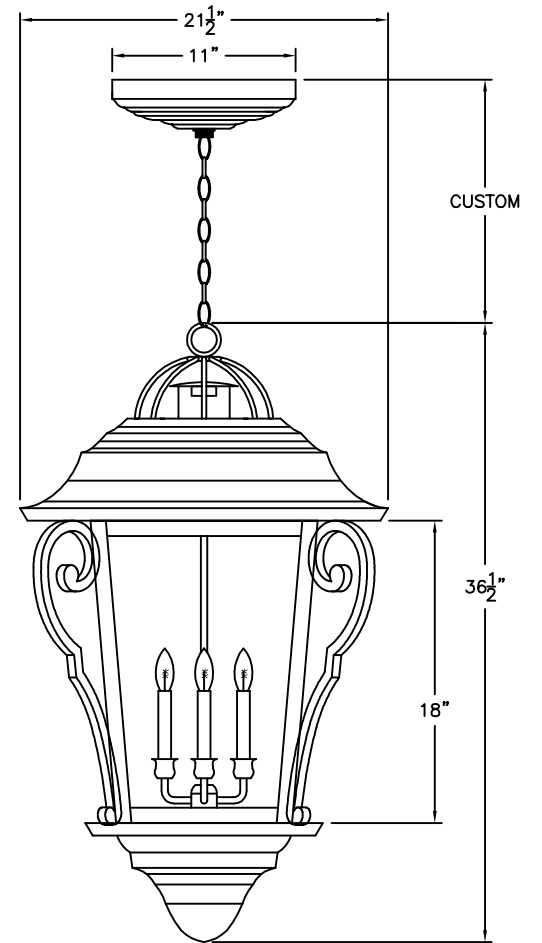
SMALL  
D-003-041  
10" W X 18" H



MEDIUM  
D-003-042  
14 1/2" W X 25 1/2" H



LARGE  
D-003-043  
18" W X 30 1/2" H



X-LARGE  
D-003-044  
21 1/2" W X 36 1/2" H

ONLY AVAILABLE  
IN ELECTRIC

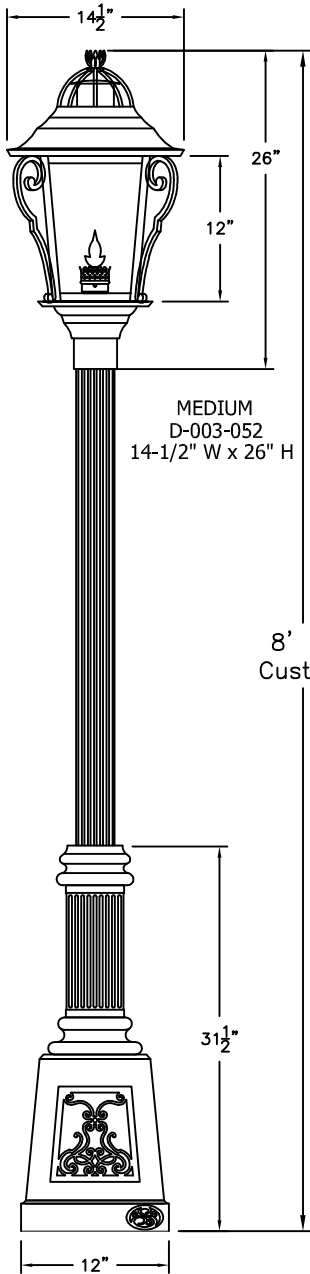
\* ACTUAL DIMENSIONS MAY VARY UP TO 1/2"

CUSTOM DRAWING CHANGES:

© 2010 SOLARA ENCHAINMENT  
UNAUTHORIZED USE OF THIS  
PLAN IS IN VIOLATION OF THE  
U.S. COPYRIGHT ACT TITLE 17



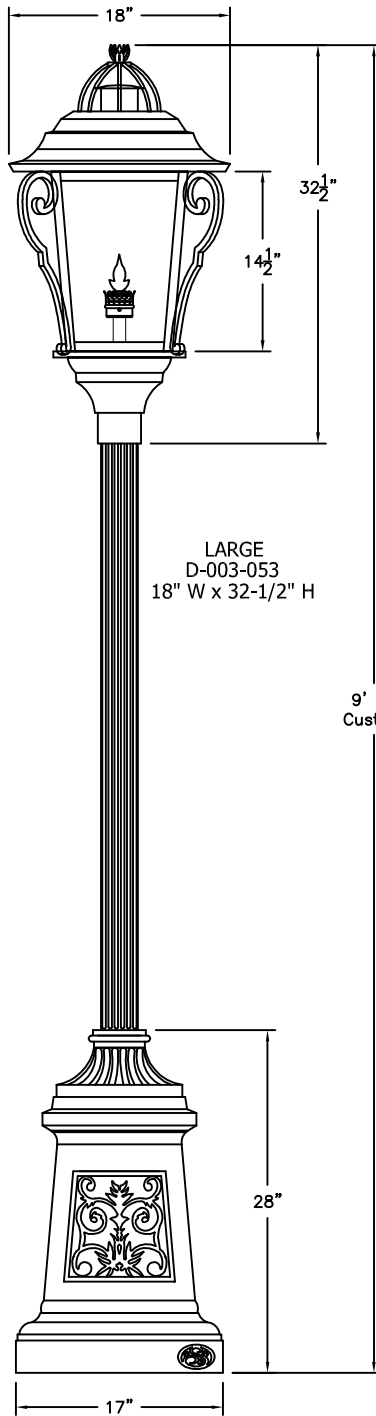
DESIGN:	AMSTERDAM
LINE:	PENDANT CHAIN
FILE:	D-003-04SET-EL-S100-1
DATE REV:	30-JUNE-2010



MEDIUM  
D-003-052  
14-1/2" W x 26" H

8' or  
Custom

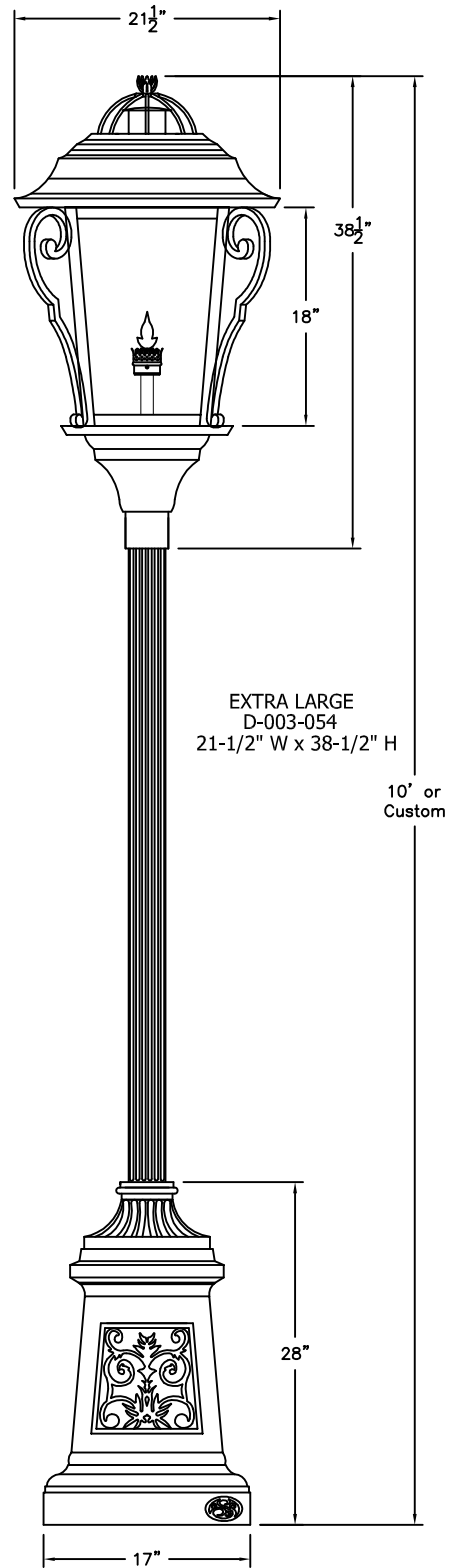
SOLARA BASE



LARGE  
D-003-053  
18" W x 32-1/2" H

9' or  
Custom

MUNICH BASE



EXTRA LARGE  
D-003-054  
21-1/2" W x 38-1/2" H

10' or  
Custom

AVAILABLE IN  
GAS & ELECTRIC  
WITH EXCEPTION  
OF SMALL SIZE

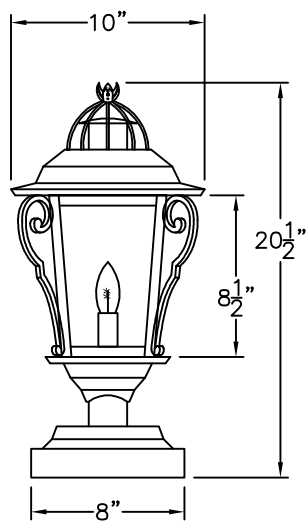
\* POST ARE SOLD SEPARATELY  
\* ACTUAL DIMENSIONS MAY VARY UP TO 1/2"

CUSTOM DRAWING CHANGES:

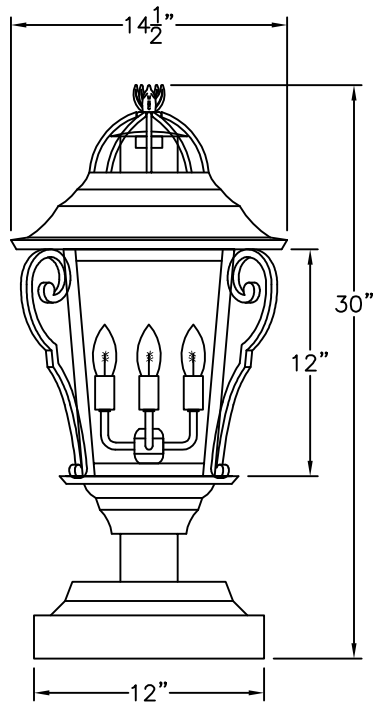
© 2010 SOLARA ENCHAINMENT  
UNAUTHORIZED USE OF THIS  
PLAN IS IN VIOLATION OF THE  
U.S. COPYRIGHT ACT TITLE 17  
OF THE U.S. CODE



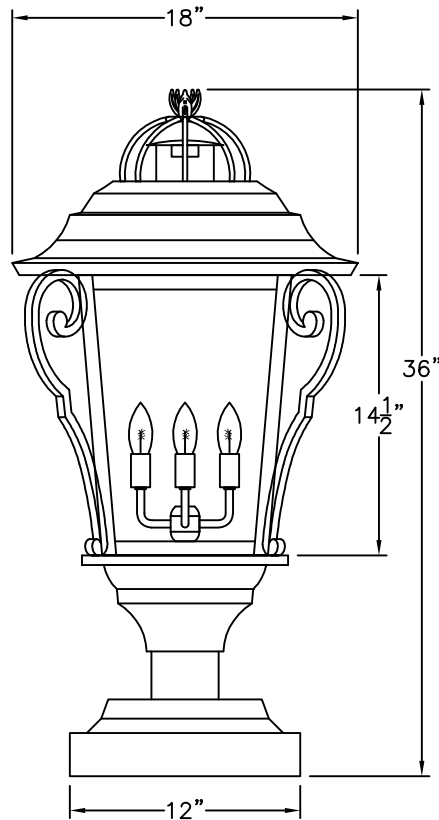
DESIGN: AMSTERDAM  
LINE: POST MOUNT  
FILE: D-003-05SET-EG-S100-2  
DATE REV: 04-AUGUST-10



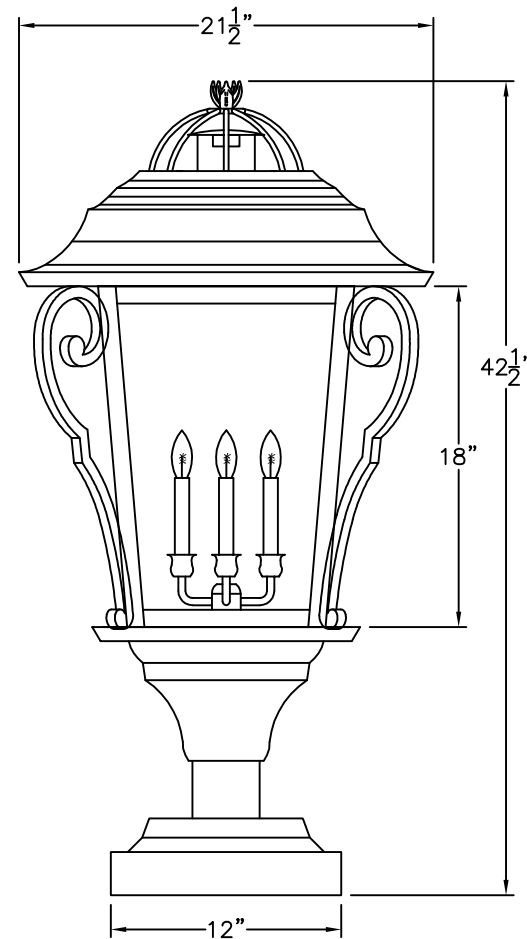
SMALL  
D-003-061  
10" W X 20 1/2" H



MEDIUM  
D-003-062  
14 1/2" W X 30" H



LARGE  
D-003-063  
18" W X 36" H



X-LARGE  
D-003-064  
21 1/2" W X 42 1/2" H

AVAILABLE IN  
GAS & ELECTRIC  
WITH EXCEPTION  
OF SMALL SIZE

\* ACTUAL DIMENSIONS MAY VARY UP TO 1/2"

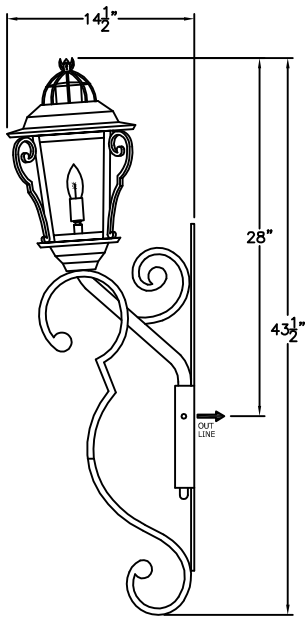
CUSTOM DRAWING CHANGES:

© 2010 SOLARA ENCHAINMENT  
UNAUTHORIZED USE OF THIS  
PLAN IS IN VIOLATION OF THE  
U.S. COPYRIGHT ACT TITLE 17

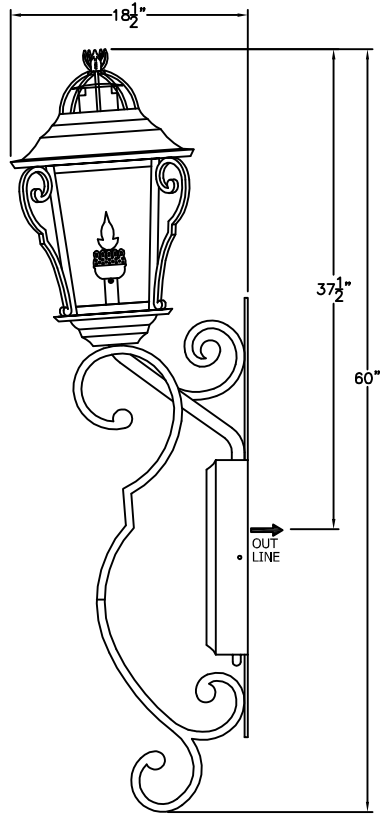


DESIGN:	AMSTERDAM
LINE:	PIER MOUNT
FILE:	D-003-06SET-EL-S100-1
DATE REV:	30-JUNE-2010

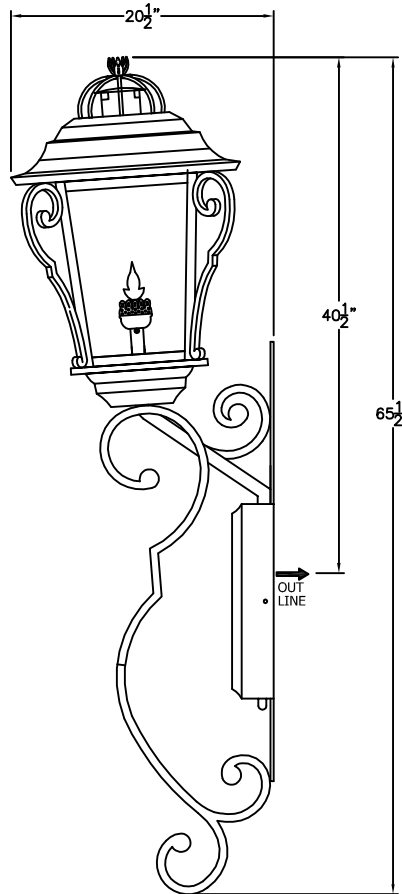




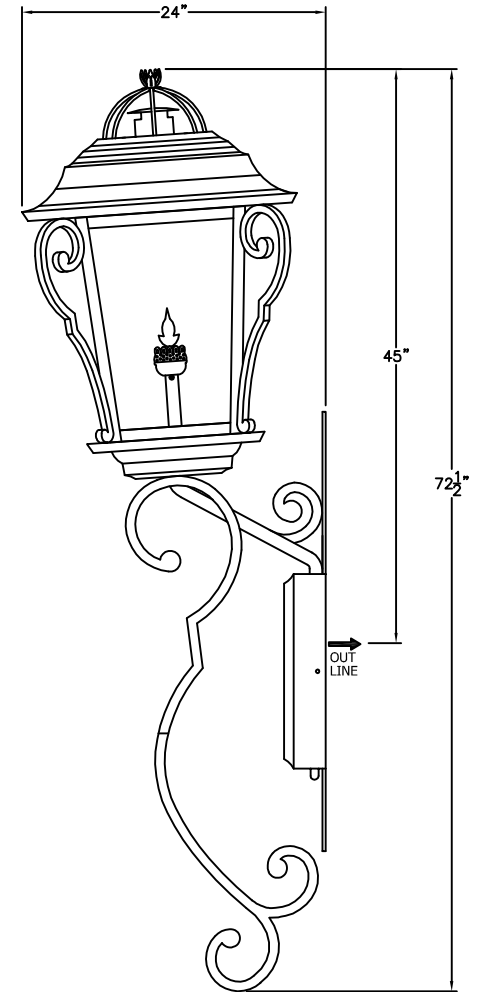
**SMALL**  
**D-003-081**  
 10" W X 43 1/2" H X 14 1/2" D



**MEDIUM**  
**D-003-082**  
 14 1/2" W X 60" H X 18 1/2" D



**LARGE**  
**D-003-083**  
 18" W X 65 1/2" H X 20 1/2" D



**X LARGE**  
**D-003-084**  
 21 1/2" W X 72 1/2" H X 24" D

AVAILABLE IN  
 GAS & ELECTRIC  
 WITH EXCEPTION  
 OF SMALL SIZE

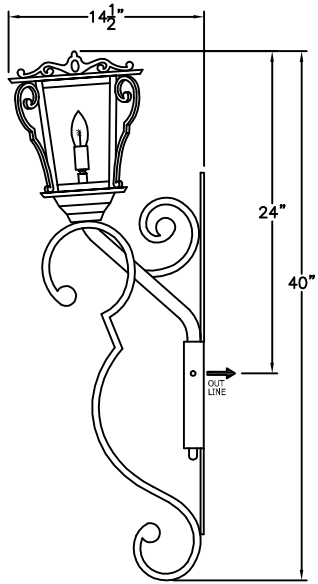
\* ACTUAL DIMENSIONS MAY VARY UP TO 1/2"

CUSTOM DRAWING CHANGES:

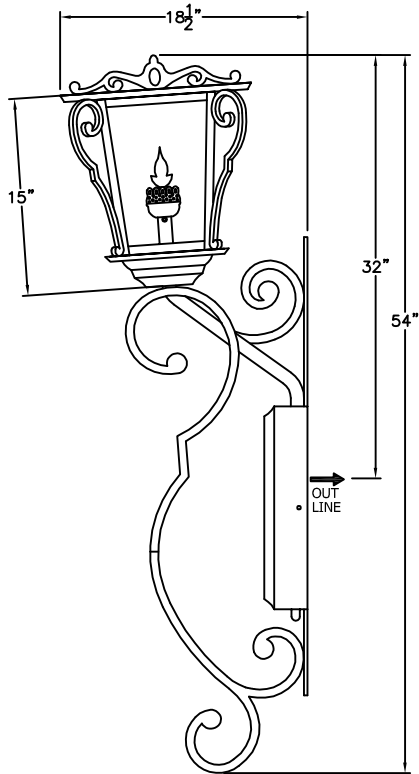
© 2011 SOLARA ENCHAINMENT  
 UNAUTHORIZED USE OF THIS  
 PLAN IS IN VIOLATION OF THE  
 U.S. COPYRIGHT ACT TITLE 17  
 OF THE U.S. CODE.



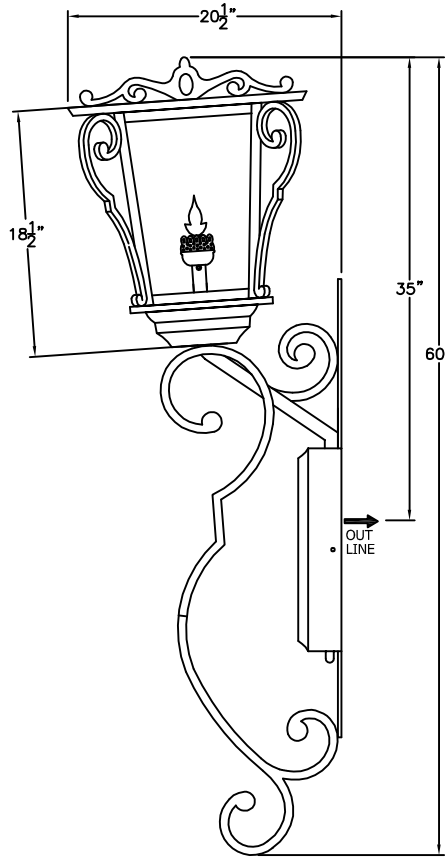
DESIGN:	AMSTERDAM
LINE:	TORCH MOUNT
FILE:	D-003-08SET-EG-S100-2
DATE REV:	24-JAN-11



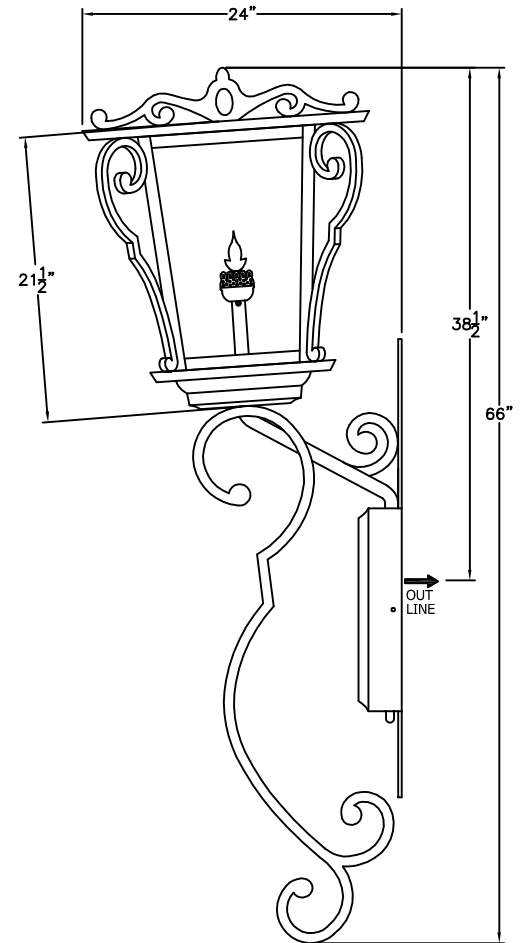
**SMALL**  
**D-003-091**  
 10" W X 40" H X 14 1/2" D



**MEDIUM**  
**D-003-092**  
 14 1/2" W X 54" H X 18 1/2" D



**LARGE**  
**D-003-093**  
 18" W X 60" H X 20 1/2" D



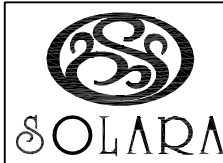
**X LARGE**  
**D-003-094**  
 21 1/2" W X 66" H X 24" D

AVAILABLE IN  
 GAS & ELECTRIC  
 WITH EXCEPTION  
 OF SMALL SIZE

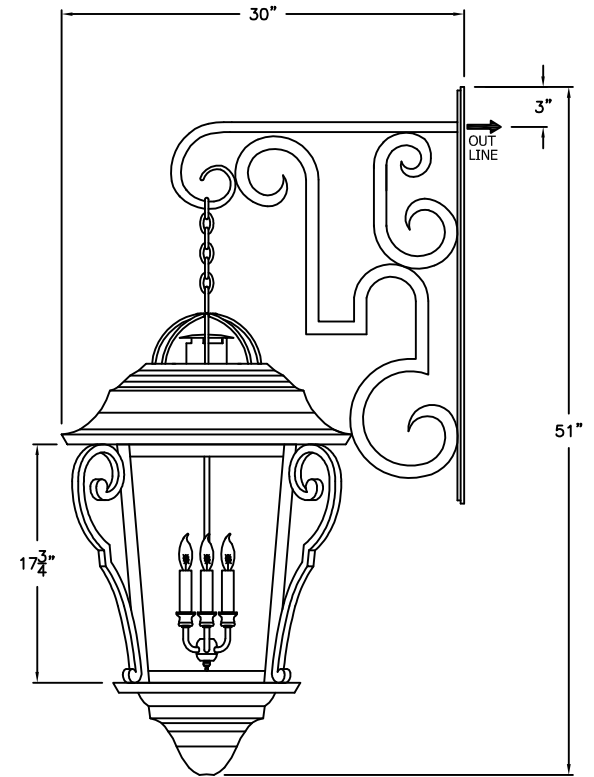
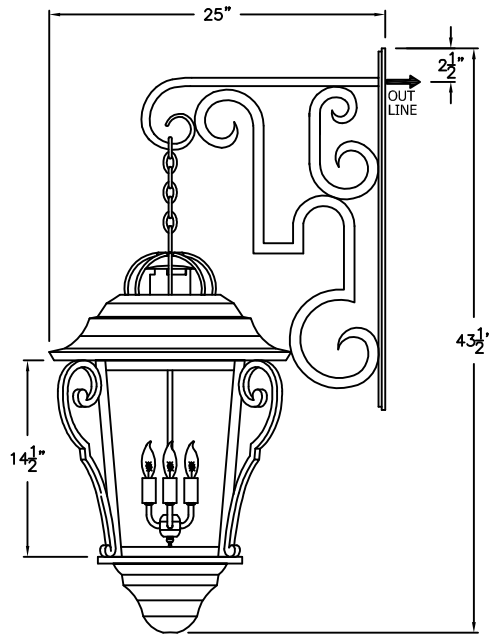
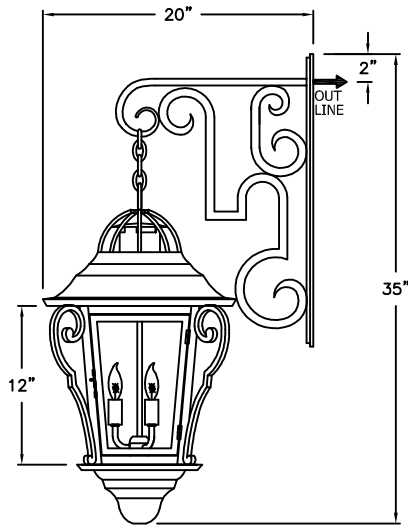
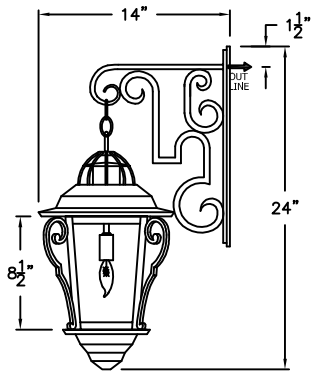
\* ACTUAL DIMENSIONS MAY VARY UP TO 1/2"

CUSTOM DRAWING CHANGES:

© 2011 SOLARA ENCHAINMENT  
 UNAUTHORIZED USE OF THIS  
 PLAN IS IN VIOLATION OF THE  
 U.S. COPYRIGHT ACT TITLE 17  
 OF THE U.S. CODE



DESIGN:	AMSTERDAM
LINE:	TORCH MOUNT
FILE:	D-003-09SET-EG-S100-3
DATE REV:	24-JAN-11



SMALL  
D-003-101  
10" W X 24" H X 14" D

MEDIUM  
D-003-102  
14 1/2" W X 35" H X 20" D

LARGE  
D-003-103  
18" W X 43 1/2" H X 25" D

XLARGE  
D-003-104  
21 1/2" W X 51" H X 30" D

ONLY AVAILABLE  
IN ELECTRIC

\* ACTUAL DIMENSIONS MAY VARY UP TO 1/2"

CUSTOM DRAWING CHANGES:

© 2011 SOLARA ENCHAINMENT  
UNAUTHORIZED USE OF THIS  
PLAN IS IN VIOLATION OF THE  
U.S. COPYRIGHT ACT TITLE 17  
OF THE U.S. CODE.



DESIGN:	AMSTERDAM
LINE:	HANGING MOUNT
FILE:	D-003-10SET-EL-S100-1
DATE REV:	31-JAN-11