



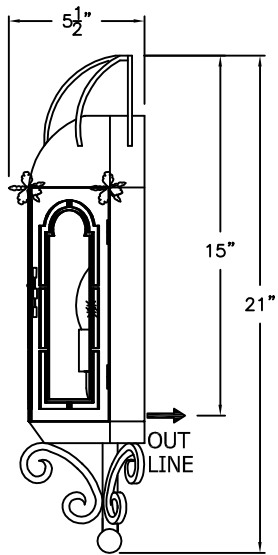
# SOLARA

Iron Doors & Lighting

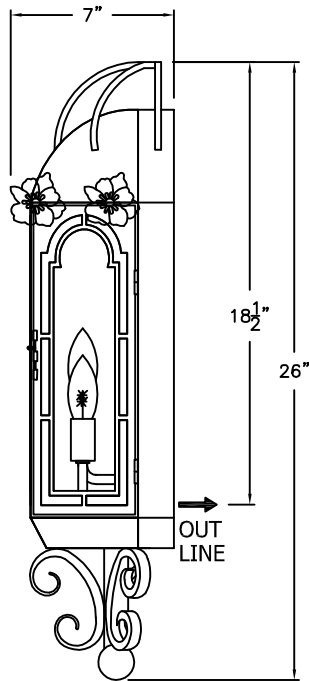


## Bougainvillea - D002

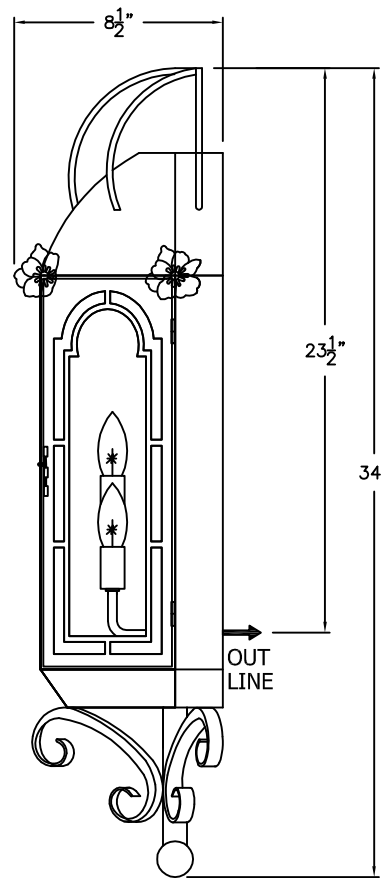




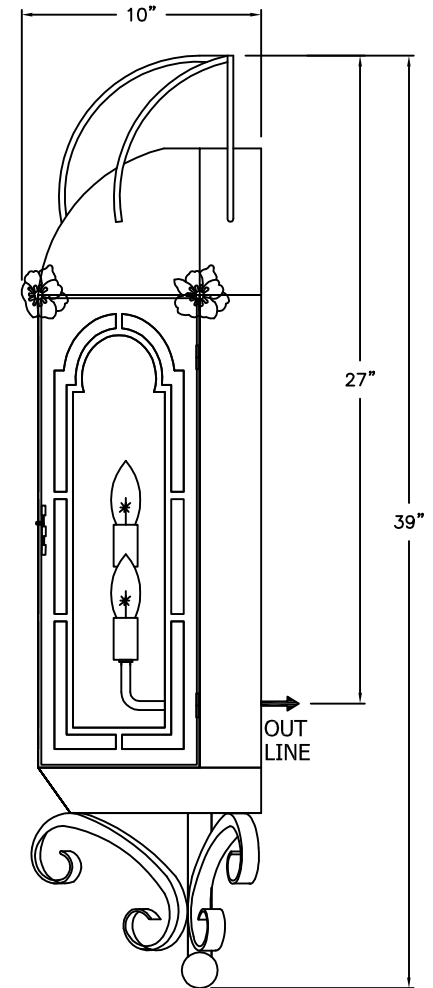
SMALL  
D-002-001  
8 1/2" W x 21" H x 5 1/2" D



MEDIUM  
D-002-002  
13" W x 26" H x 7" D



LARGE  
D-002-003  
14 1/2" W x 34" H x 8 1/2" D



XLARGE  
D-002-004  
18" W x 39" H x 10" D

ONLY AVAILABLE  
IN ELECTRIC

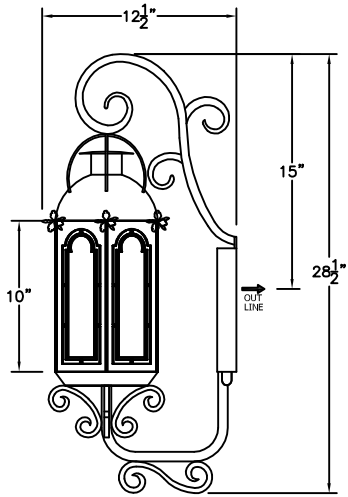
\* ACTUAL DIMENSIONS MAY VARY UP TO 1/2"

CUSTOM DRAWING CHANGES:

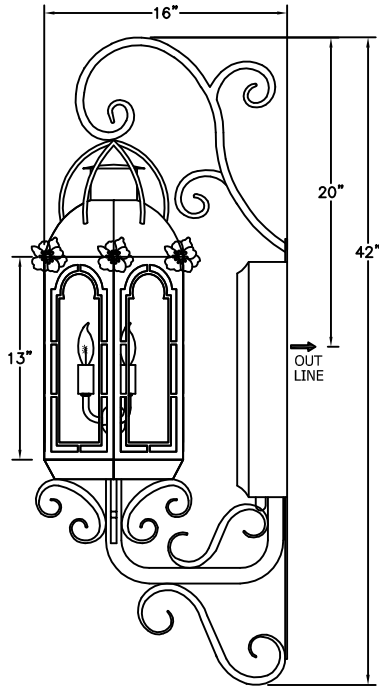
© 2010 SOLARA ENCHAINMENT  
UNAUTHORIZED USE OF THIS  
PLAN IS IN VIOLATION OF THE  
U.S. COPYRIGHT ACT TITLE 17  
OF THE U.S. CODE.



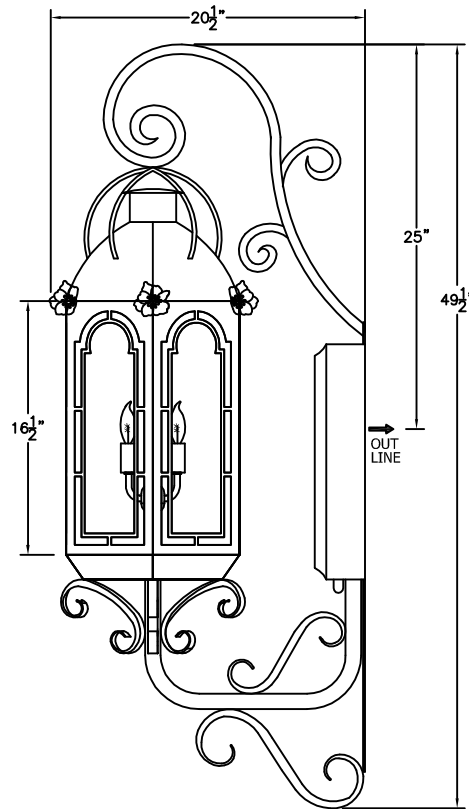
DESIGN:	BOUGAINVILLEA
LINE:	SCONCE MOUNT
FILE:	D-002-00SET-EL-S100-1
DATE REV:	23-SEP-10



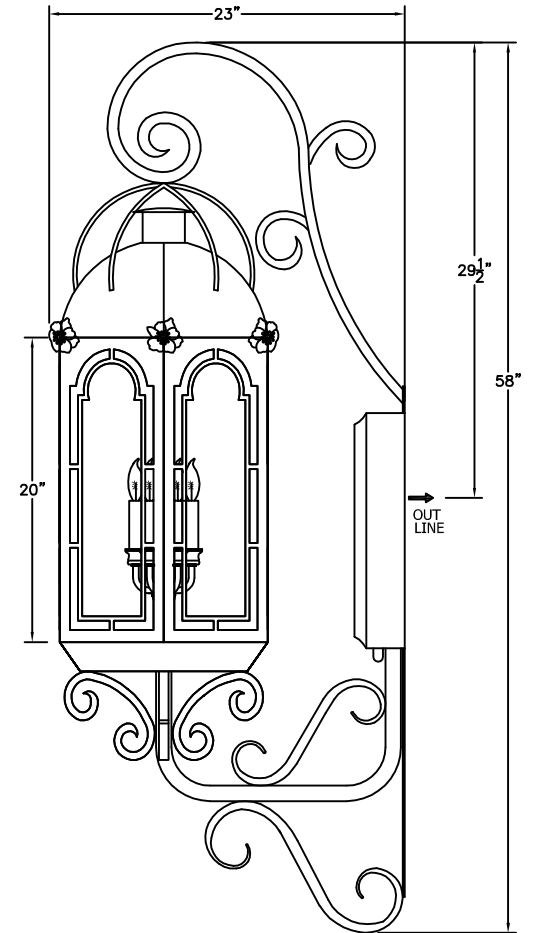
SMALL  
D-002-011  
8 1/2" W x 28 1/2" H x 12 1/2" D



MEDIUM  
D-002-012  
13" W x 42" H x 16" D



LARGE  
D-002-013  
14 1/2" W x 49 1/2" H x 20 1/2" D



XLARGE  
D-002-014  
18" W x 58" H x 23" D

AVAILABLE IN  
GAS & ELECTRIC  
WITH EXCEPTION  
OF SMALL SIZE

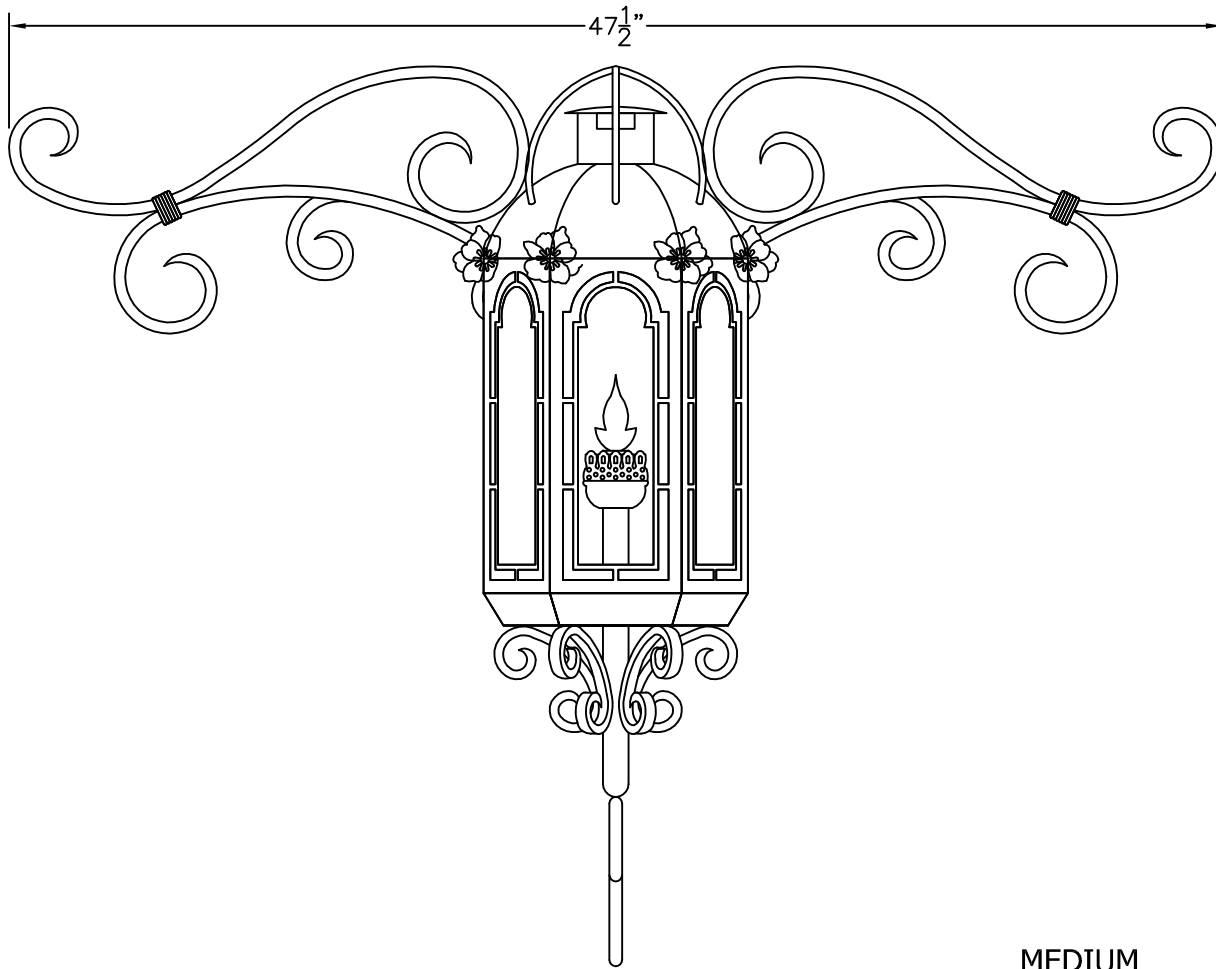
\* ACTUAL DIMENSIONS MAY VARY UP TO 1/2"

CUSTOM DRAWING CHANGES:

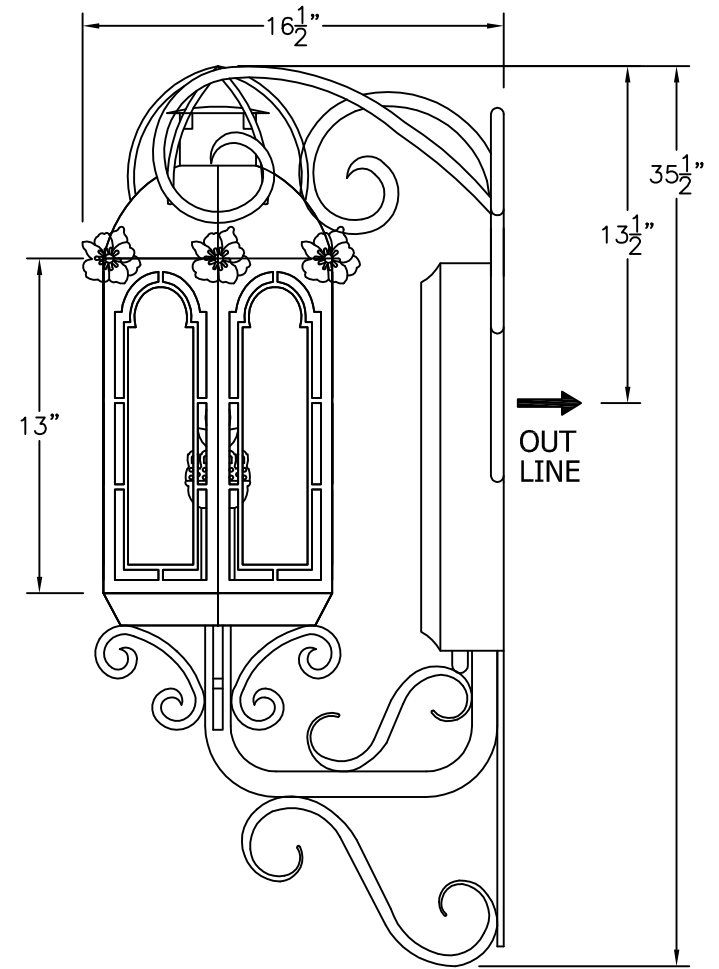
© 2010 SOLARA ENCHAINMENT  
UNAUTHORIZED USE OF THIS  
PLAN IS IN VIOLATION OF THE  
U.S. COPYRIGHT ACT TITLE 17  
OF THE U.S. CODE.



DESIGN:	BOUGAINVILLEA
LINE:	WALL MOUNT
FILE:	D-002-01SET-EL-S100-3
DATE REV:	23-SEP-10



FRONT VIEW



SIDE VIEW

MEDIUM  
 D-002-022  
 47 1/2" W x 35 1/2" H x 16 1/2" D

AVAILABLE IN  
 GAS & ELECTRIC  
 WITH EXCEPTION  
 OF SMALL SIZE

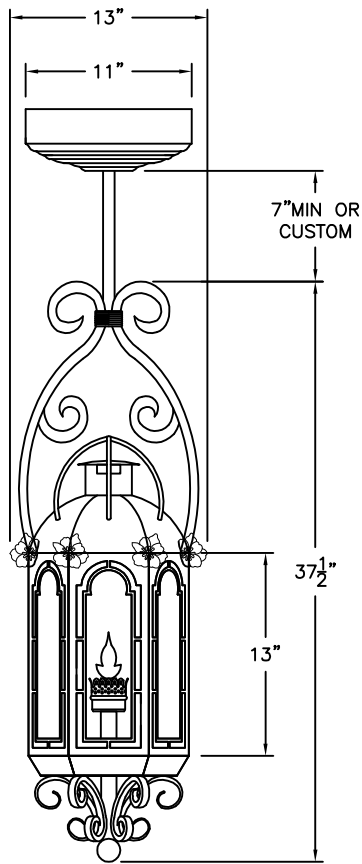
\* ACTUAL DIMENSIONS MAY VARY UP TO 1/2"

CUSTOM DRAWING CHANGES:

© 2010 SOLARA ENCHAINMENT  
 UNAUTHORIZED USE OF THIS  
 PLAN IS IN VIOLATION OF THE  
 U.S. COPYRIGHT ACT TITLE 17  
 OF THE U.S. CODE.

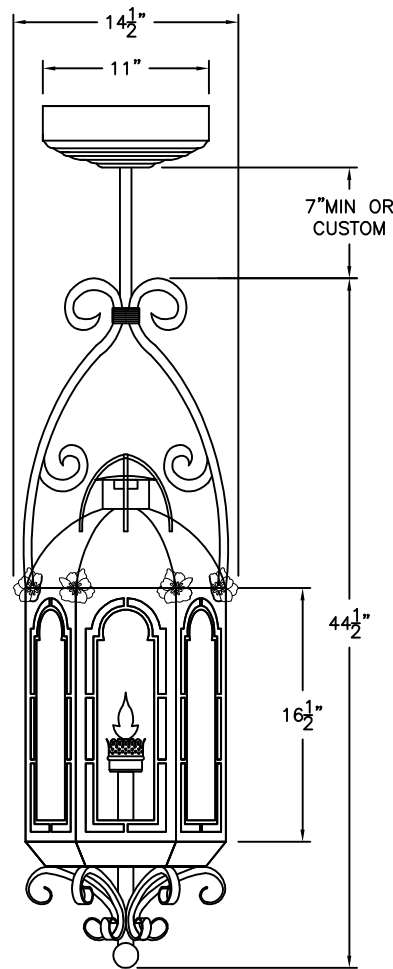


DESIGN:	BOUGAINVILLEA
LINE:	CENTRAL MOUNT
FILE:	D-002-022-EG-S100-1
DATE REV:	23-SEP-10



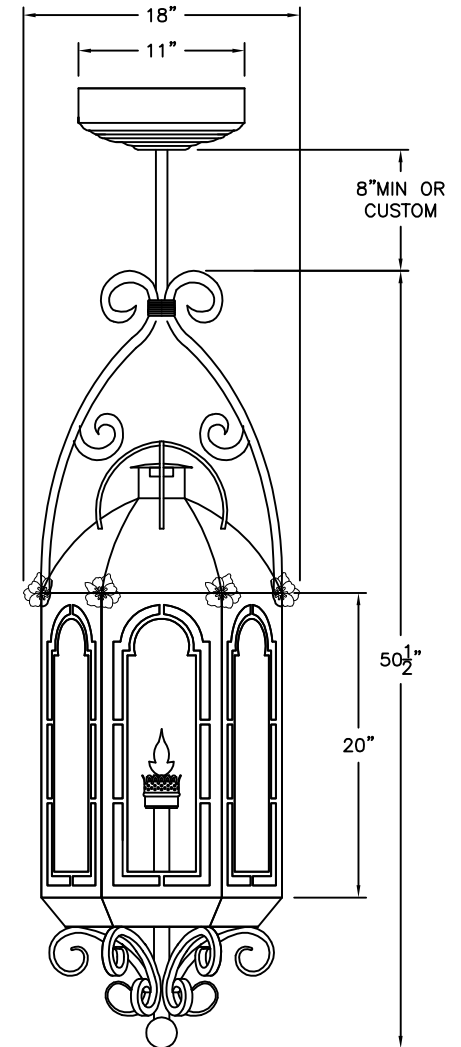
MEDIUM  
D-002-032

13" W x 37 1/2" H x 11 1/2" D



LARGE  
D-002-033

14 1/2" W x 44 1/2" H x 12 1/2" D



XLARGE  
D-002-034

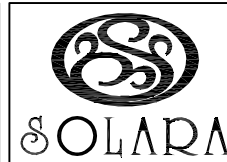
18" W x 50 1/2" H x 15 1/2" D

AVAILABLE IN  
GAS & ELECTRIC  
WITH EXCEPTION  
OF SMALL SIZE

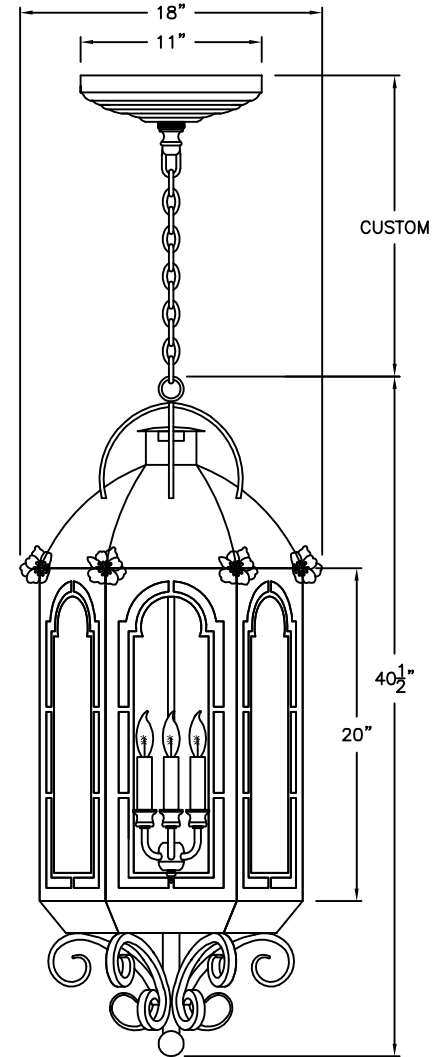
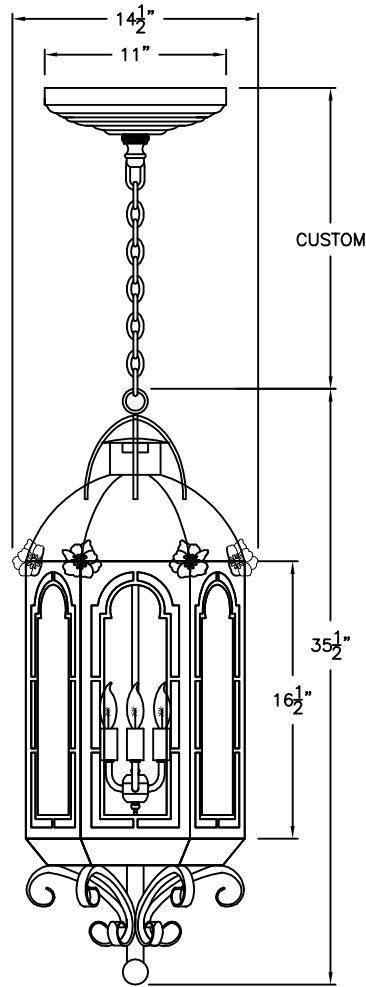
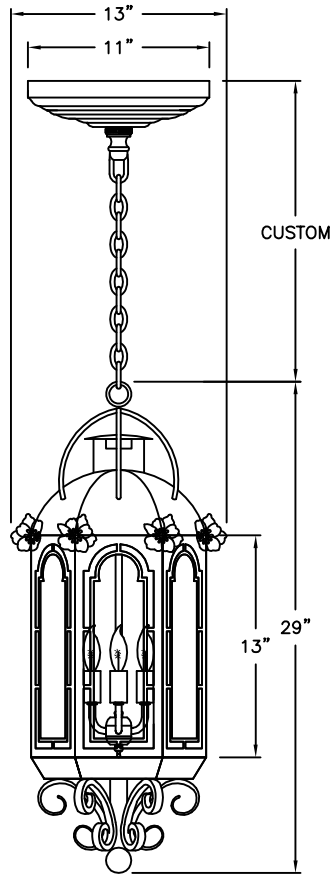
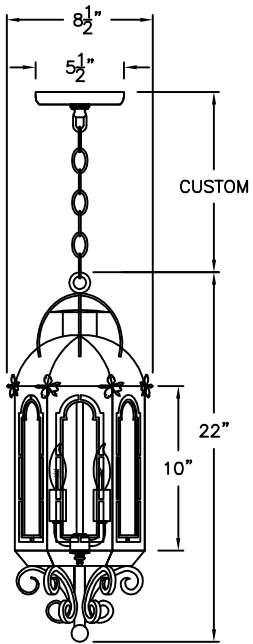
\* ACTUAL DIMENSIONS MAY VARY UP TO 1/2"

CUSTOM DRAWING CHANGES:

© 2010 SOLARA ENCHAINMENT  
UNAUTHORIZED USE OF THIS  
PLAN IS IN VIOLATION OF THE  
U.S. COPYRIGHT ACT TITLE 17  
OF THE U.S. CODE.



DESIGN:	BOUGAINVILLEA
LINE:	PENDANT STEM
FILE:	D-002-03SET-EG-S100-3
DATE REV:	23-SEP-10



SMALL  
D-002-041

8 1/2" W x 22" H x 7 1/2" D

MEDIUM  
D-002-042

13" W x 29" H x 11 1/2" D

LARGE  
D-002-043

14 1/2" W x 35 1/2" H x 12 1/2" D

XLARGE  
D-002-044

18" W x 40 1/2" H x 15 1/2" D

ONLY AVAILABLE  
IN ELECTRIC

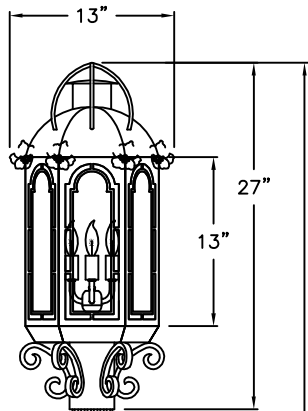
\* ACTUAL DIMENSIONS MAY VARY UP TO 1/2"

CUSTOM DRAWING CHANGES:

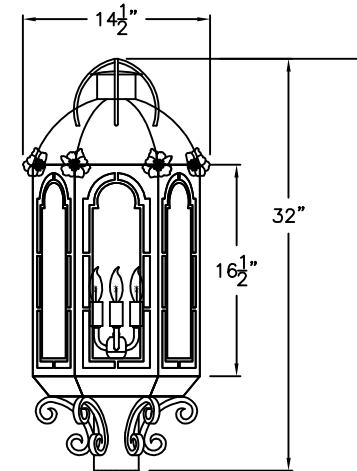
© 2010 SOLARA ENCHAINMENT  
UNAUTHORIZED USE OF THIS  
PLAN IS IN VIOLATION OF THE  
U.S. COPYRIGHT ACT TITLE 17  
OF THE U.S. CODE.



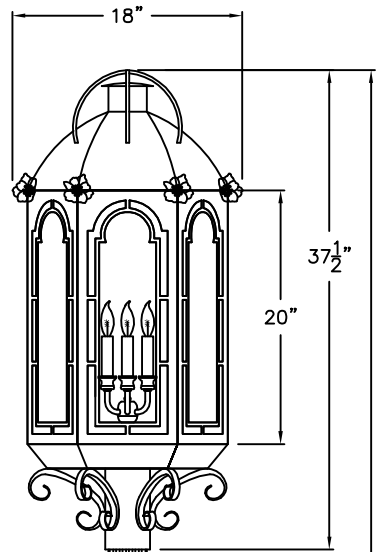
DESIGN:	BOUGAINVILLEA
LINE:	PENDANT CHAIN
FILE:	D-002-04SET-EL-S100-1
DATE REV:	23-SEP-10



MEDIUM  
D-002-052  
13" W x 27" H x 11 1/2" D



LARGE  
D-002-053  
14 1/2" W x 32" H x 12 1/2" D

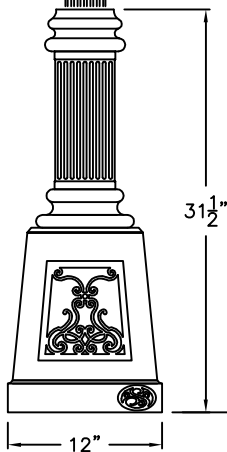


XLARGE  
D-002-054  
18" W x 37 1/2" H x 15 1/2" D

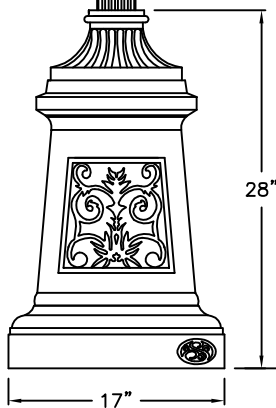
8' MIN or custom

9' MIN or custom

9'-9 1/2" MIN or custom



SOLARA BASE



MUNICH BASE

AVAILABLE IN  
GAS & ELECTRIC  
WITH EXCEPTION  
OF SMALL SIZE

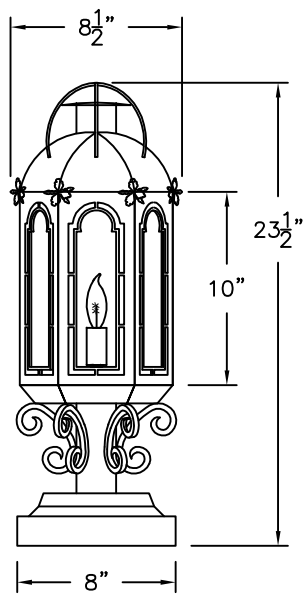
\* POST ARE SOLD SEPARATELY  
\* ACTUAL DIMENSIONS MAY VARY UP TO 1/2"

CUSTOM DRAWING CHANGES:

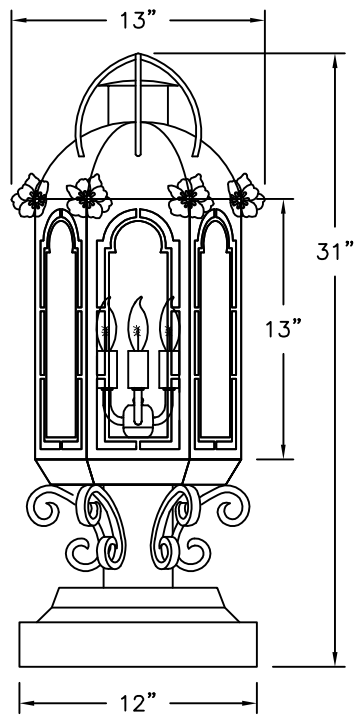
© 2010 SOLARA ENCHAINMENT  
UNAUTHORIZED USE OF THIS  
PLAN IS IN VIOLATION OF THE  
U.S. COPYRIGHT ACT TITLE 17  
OF THE U.S. CODE.



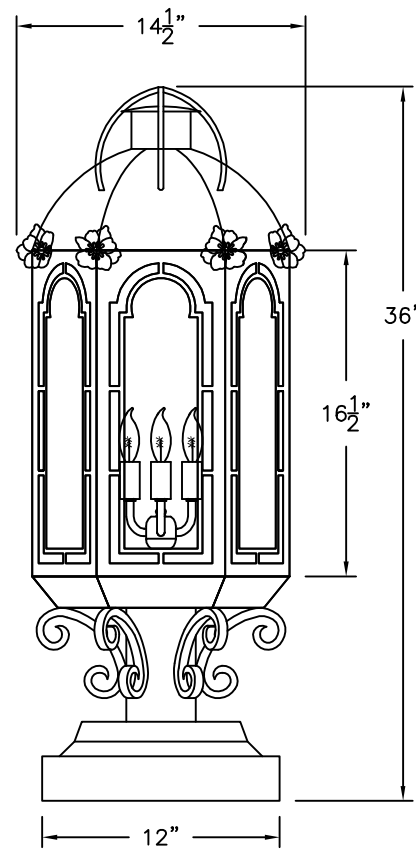
DESIGN: BOUGAINVILLEA  
LINE: POST MOUNT  
FILE: D-002-05SET-EL-S100-1  
DATE REV: 23-SEPTEMBER-10



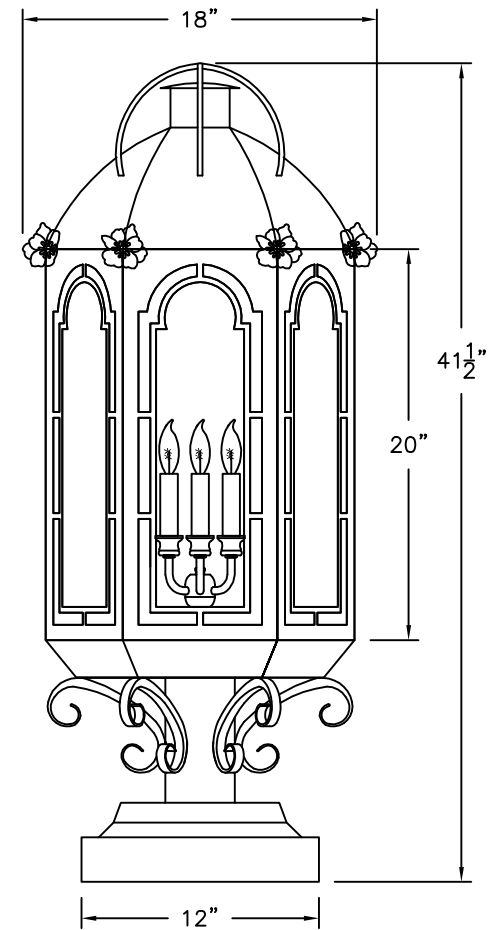
SMALL  
D-002-061  
8 1/2" W x 23 1/2" H x 8" D



MEDIUM  
D-002-062  
13" W x 31" H x 12" D



LARGE  
D-002-063  
14 1/2" W x 36" H x 12 1/2" D



XLARGE  
D-002-064  
18" W x 41 1/2" H x 12" D

AVAILABLE IN  
GAS & ELECTRIC  
WITH EXCEPTION  
OF SMALL SIZE

\* ACTUAL DIMENSIONS MAY VARY UP TO 1/2"

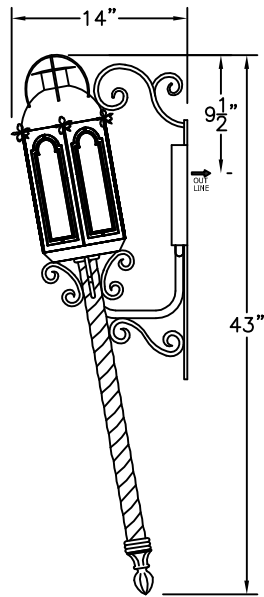
CUSTOM DRAWING CHANGES:

© 2010 SOLARA ENCHAINMENT  
UNAUTHORIZED USE OF THIS  
PLAN IS IN VIOLATION OF THE  
U.S. COPYRIGHT ACT TITLE 17  
OF THE U.S. CODE.



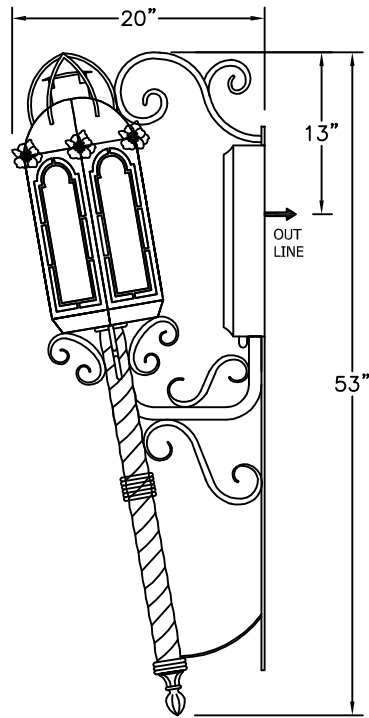
DESIGN:	BOUGAINVILLEA
LINE:	PIER MOUNT
FILE:	D-002-06SET-EL-S100-1
DATE REV:	23-SEP-10





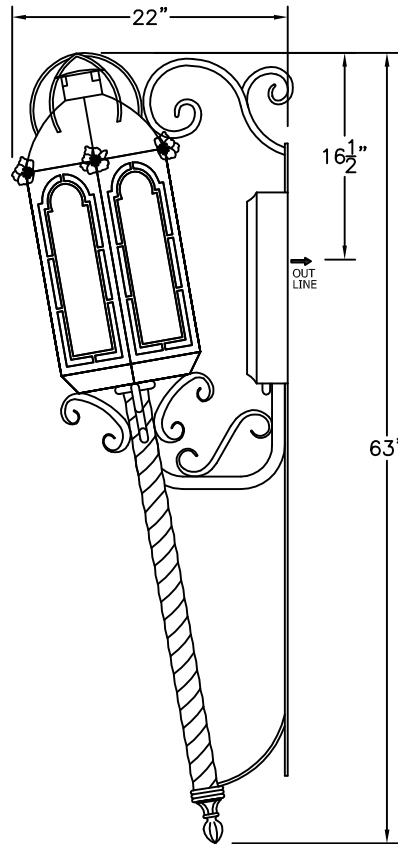
SMALL  
D-002-081

8 1/2" W x 43" H x 14" D



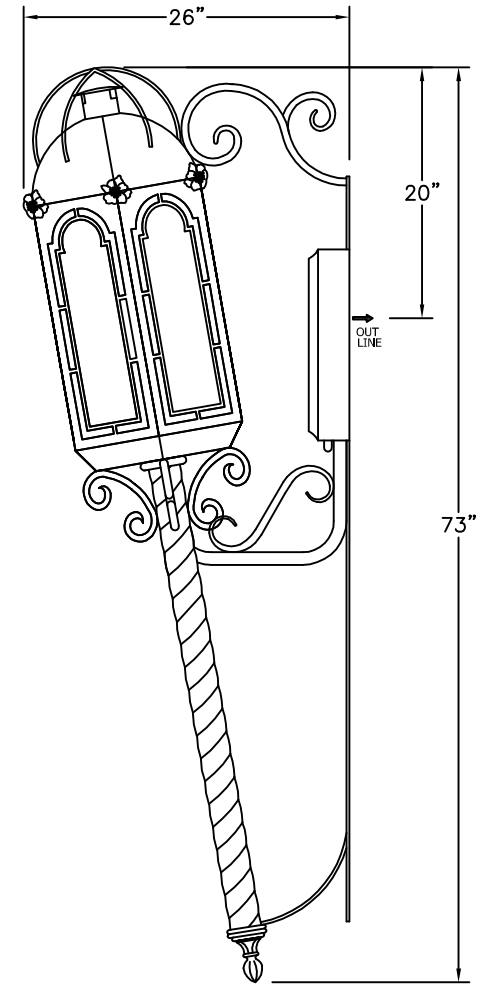
MEDIUM  
D-002-082

13" W x 53" H x 20" D



LARGE  
D-002-083

14 1/2" W x 63" H x 22" D



XLARGE  
D-002-084

18" W x 73" H x 26" D

AVAILABLE IN  
GAS & ELECTRIC  
WITH EXCEPTION  
OF SMALL SIZE

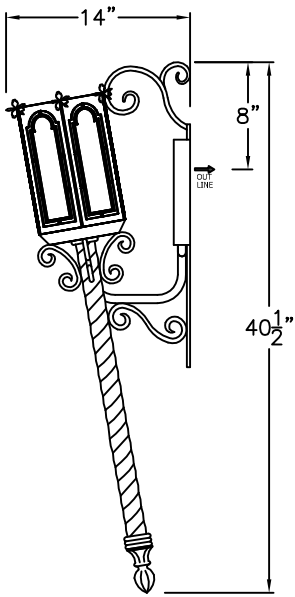
\* ACTUAL DIMENSIONS MAY VARY UP TO 1/2"

CUSTOM DRAWING CHANGES:

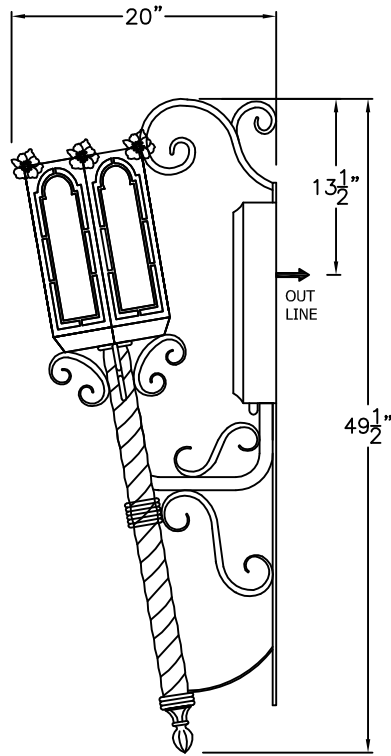
© 2010 SOLARA ENCHAINMENT  
UNAUTHORIZED USE OF THIS  
PLAN IS IN VIOLATION OF THE  
U.S. COPYRIGHT ACT TITLE 17  
OF THE U.S. CODE.



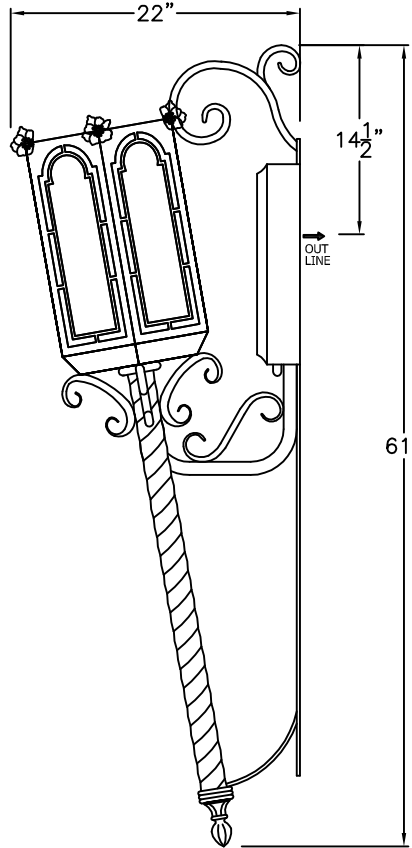
DESIGN:	BOUGAINVILLEA
LINE:	TORCH MOUNT
FILE:	D-002-08SET-EG-S100-1
DATE REV:	23-SEP-10



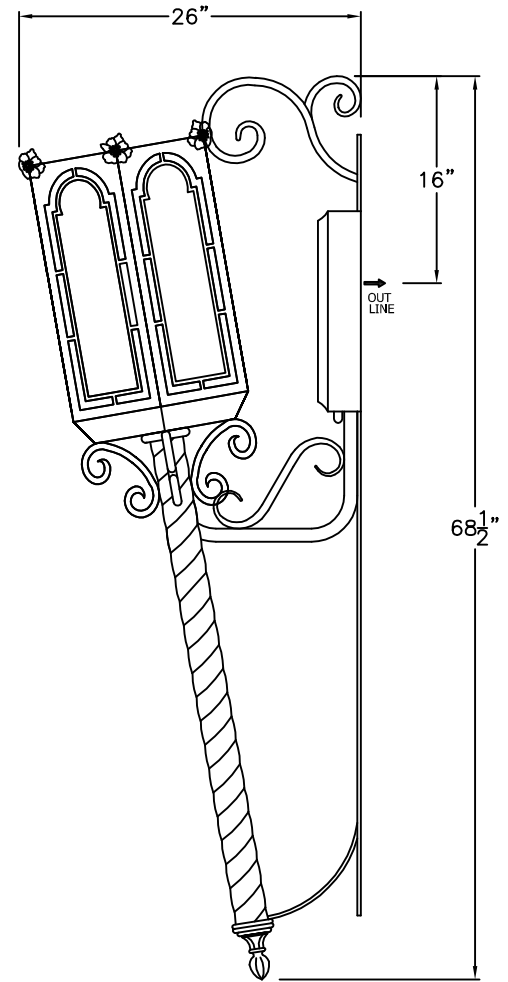
SMALL  
D-002-091  
8 1/2" W x 40 1/2" H x 14" D



MEDIUM  
D-002-092  
13" W x 49 1/2" H x 20" D



LARGE  
D-002-093  
14 1/2" W x 61" H x 22" D



XLARGE  
D-002-094  
18" W x 68 1/2" H x 26" D

AVAILABLE IN  
GAS & ELECTRIC  
WITH EXCEPTION  
OF SMALL SIZE

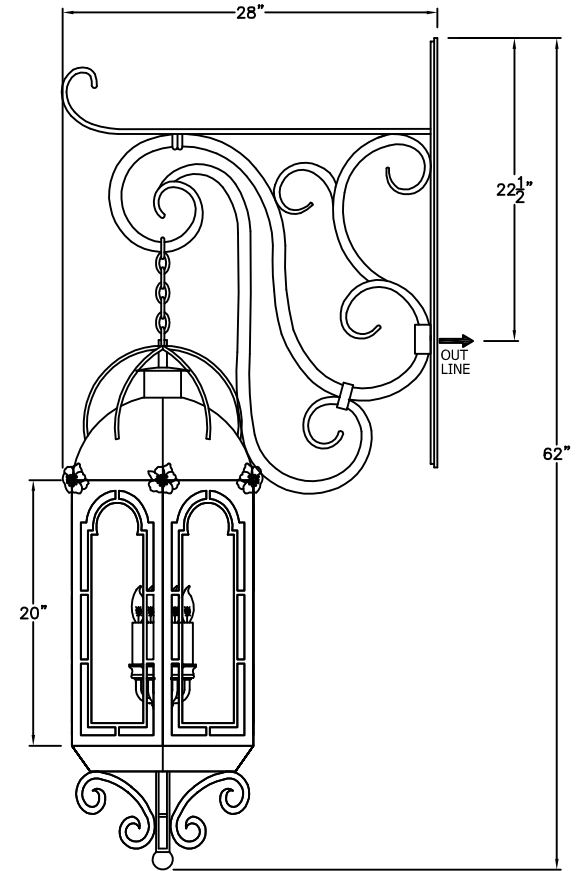
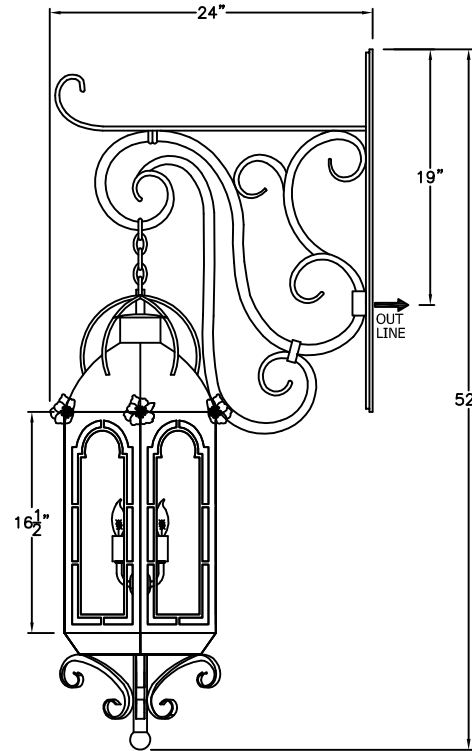
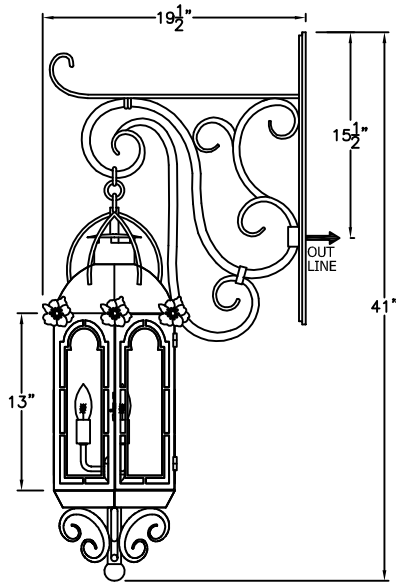
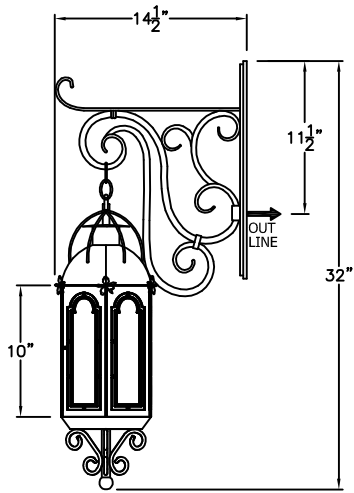
\* ACTUAL DIMENSIONS MAY VARY UP TO 1/2"

CUSTOM DRAWING CHANGES:

© 2010 SOLARA ENCHAINMENT  
UNAUTHORIZED USE OF THIS  
PLAN IS IN VIOLATION OF THE  
U.S. COPYRIGHT ACT TITLE 17  
OF THE U.S. CODE.



DESIGN:	BOUGAINVILLEA
LINE:	TORCH MOUNT
FILE:	D-002-09SET-EG-S100-1
DATE REV:	18-NOV-10



SMALL  
D-002-101

8 1/2" W x 32" H x 14 1/2" D

MEDIUM  
D-002-102

13" W x 41" H x 19 1/2" D

LARGE  
D-002-103

14 1/2" W x 52" H x 24" D

XLARGE  
D-002-104

18" W x 62" H x 28" D

ONLY AVAILABLE  
IN ELECTRIC

\* ACTUAL DIMENSIONS MAY VARY UP TO 1/2"

CUSTOM DRAWING CHANGES:

© 2011 SOLARA ENCHAINMENT  
UNAUTHORIZED USE OF THIS  
PLAN IS IN VIOLATION OF THE  
U.S. COPYRIGHT ACT TITLE 17  
OF THE U.S. CODE.



DESIGN:	BOUGAINVILLEA
LINE:	HANGING MOUNT
FILE:	D-002-10SET-EL-S100-1
DATE REV:	31-JAN-11