



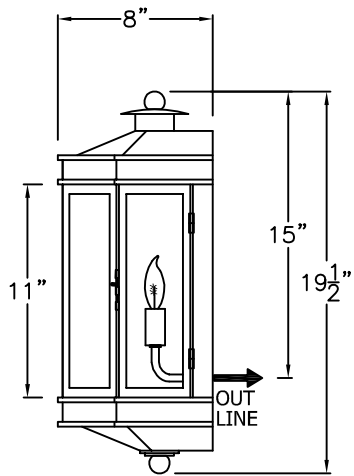
# SOLARA

Iron Doors & Lighting

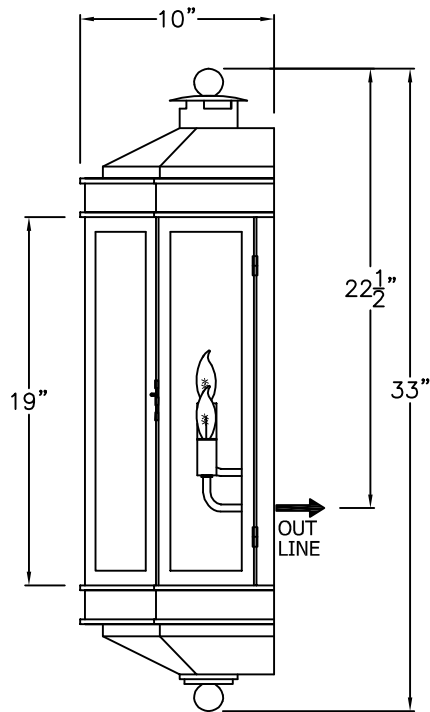


## Century - D011

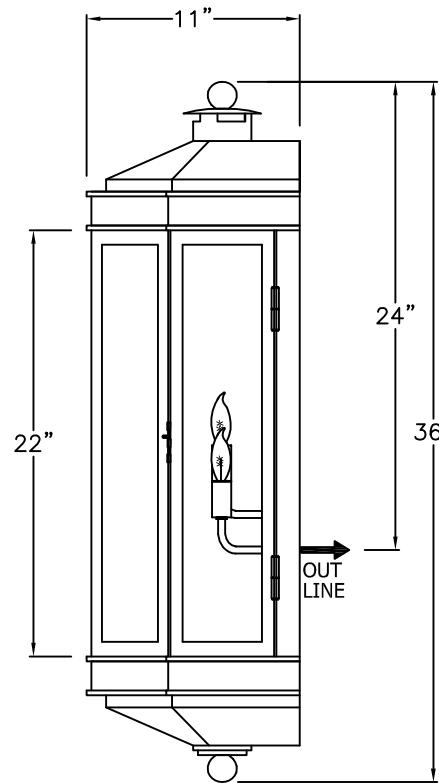




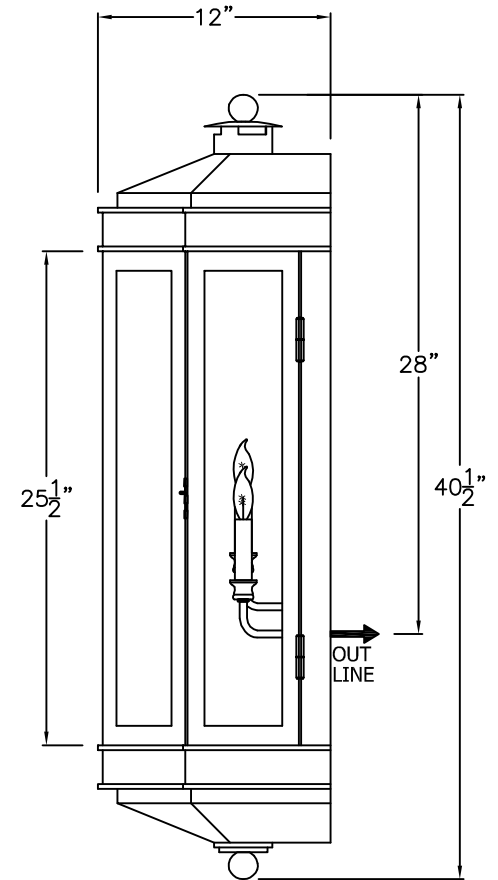
SMALL  
D-011-001  
10" W X 19 $\frac{1}{2}$ " H X 8" D



MEDIUM  
D-011-002  
13" W X 33" H X 10" D



LARGE  
D-011-003  
14" W X 36" H X 11" D



XLARGE  
D-011-004  
15" W X 40 $\frac{1}{2}$ " H X 12" D

ONLY AVAILABLE  
IN ELECTRIC

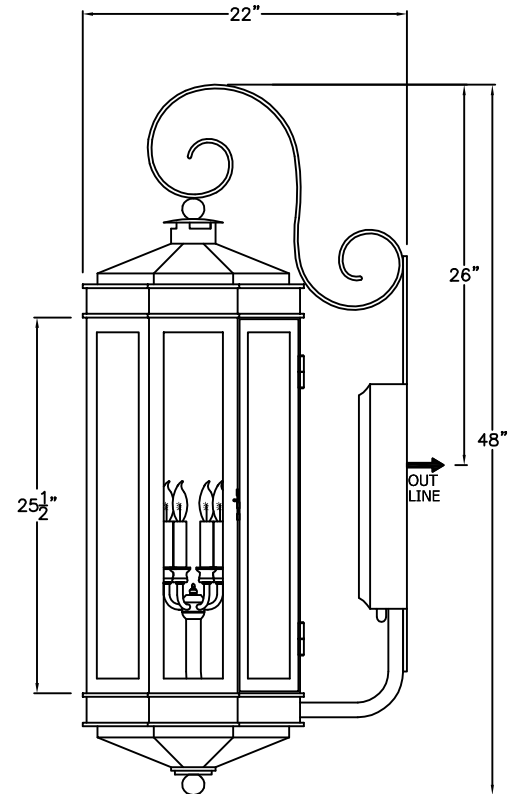
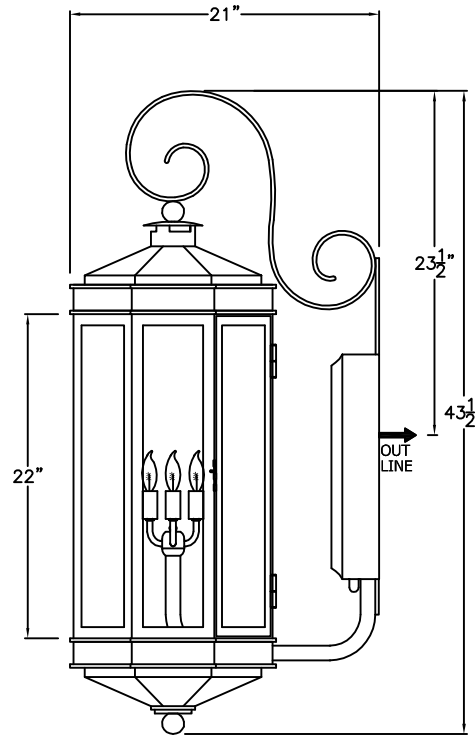
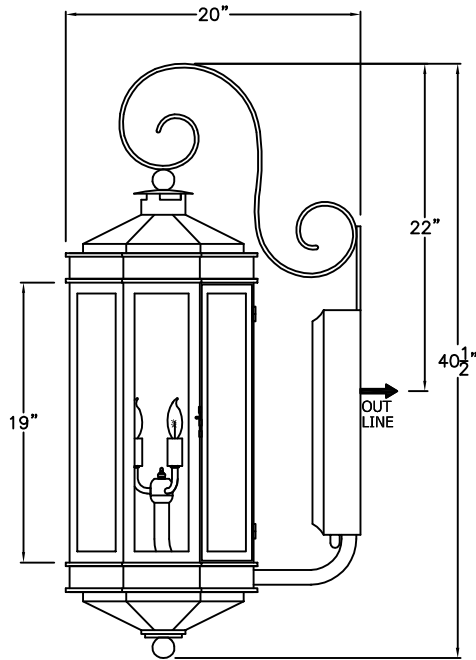
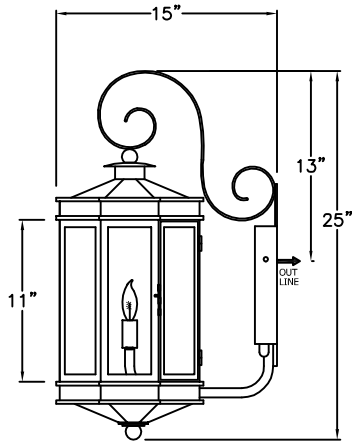
\* ACTUAL DIMENSIONS MAY VARY UP TO 1/2"

CUSTOM DRAWING CHANGES:

© 2011 SOLARA ENCHAINMENT  
UNAUTHORIZED USE OF THIS  
PLAN IS IN VIOLATION OF THE  
U.S. COPYRIGHT ACT TITLE 17  
OF THE U.S. CODE.



DESIGN:	CENTURY
LINE:	SCONCE MOUNT
FILE:	D-011-00SET-EL-S100-1
DATE REV:	18-APRIL-11



**SMALL**  
D-011-011  
10" W X 25" H X 15" D

**MEDIUM**  
D-011-012  
13" W X 40 $\frac{1}{2}$ " H X 20" D

**LARGE**  
D-011-013  
14" W X 43 $\frac{1}{2}$ " H X 21" D

**XLARGE**  
D-011-014  
15" W X 48" H X 22" D

AVAILABLE IN  
GAS & ELECTRIC  
WITH EXCEPTION  
OF SMALL SIZE

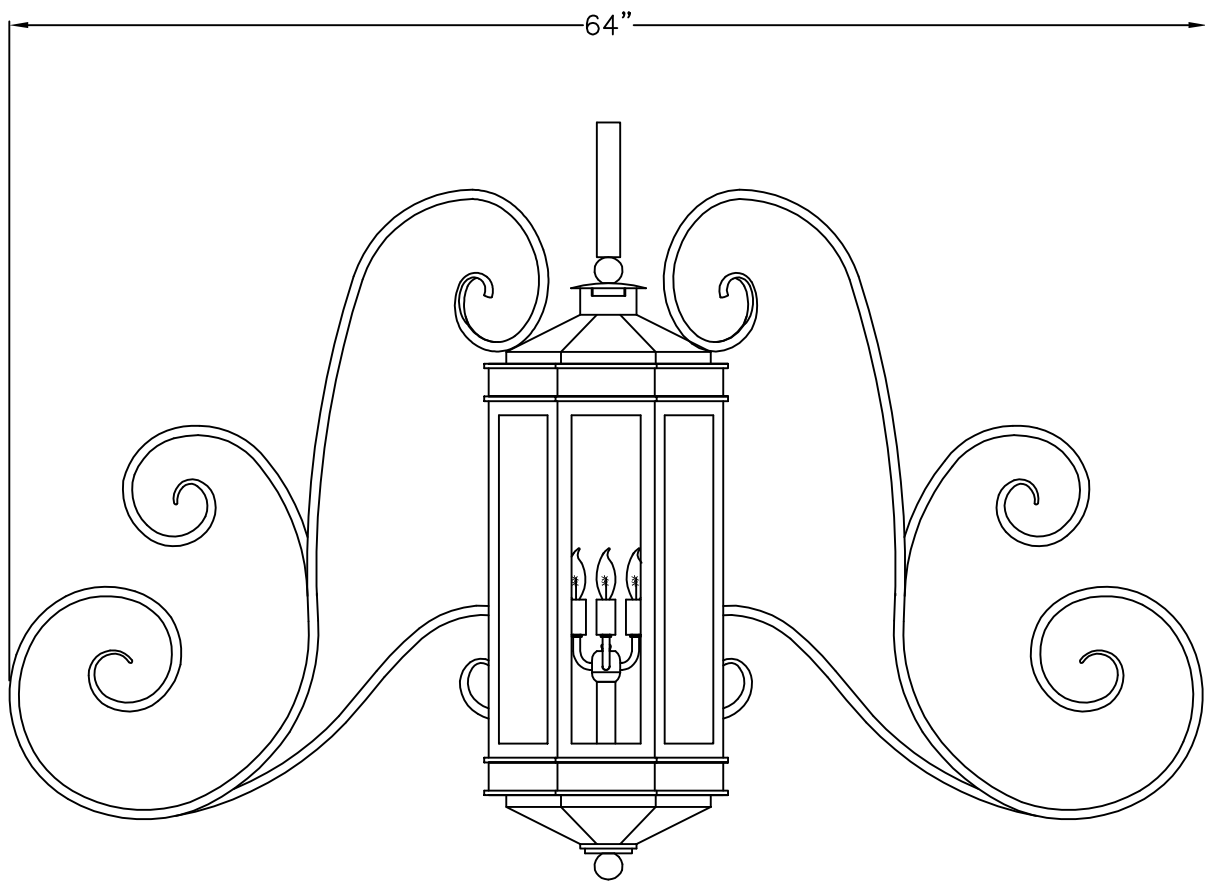
\* ACTUAL DIMENSIONS MAY VARY UP TO 1/2"

CUSTOM DRAWING CHANGES:

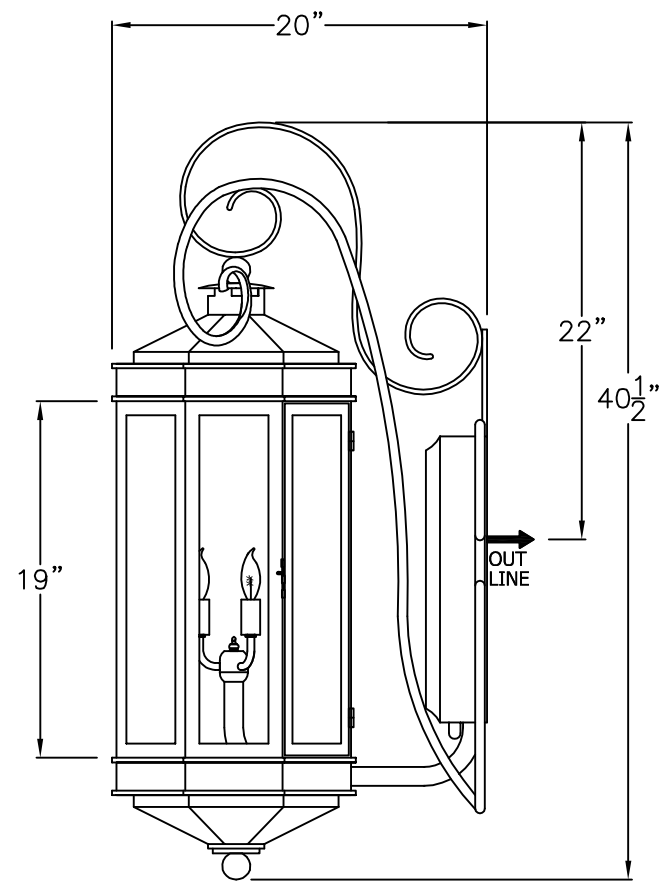
© 2011 SOLARA ENCHAINMENT  
UNAUTHORIZED USE OF THIS  
PLAN IS IN VIOLATION OF THE  
U.S. COPYRIGHT ACT TITLE 17  
OF THE U.S. CODE.



DESIGN:	CENTURY
LINE:	WALL MOUNT
FILE:	D-011-01SET-EL-S100-2
DATE REV:	26-APRIL-11



FRONT VIEW



SIDE VIEW

MEDIUM  
 D-011-022  
 64" W X 40 $\frac{1}{2}$ " H X 20" D

AVAILABLE IN  
 GAS & ELECTRIC  
 WITH EXCEPTION  
 OF SMALL SIZE

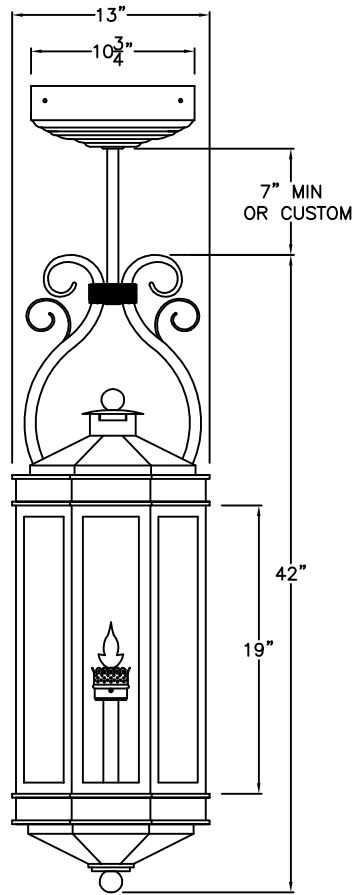
\* ACTUAL DIMENSIONS MAY VARY UP TO 1/2"

CUSTOM DRAWING CHANGES:

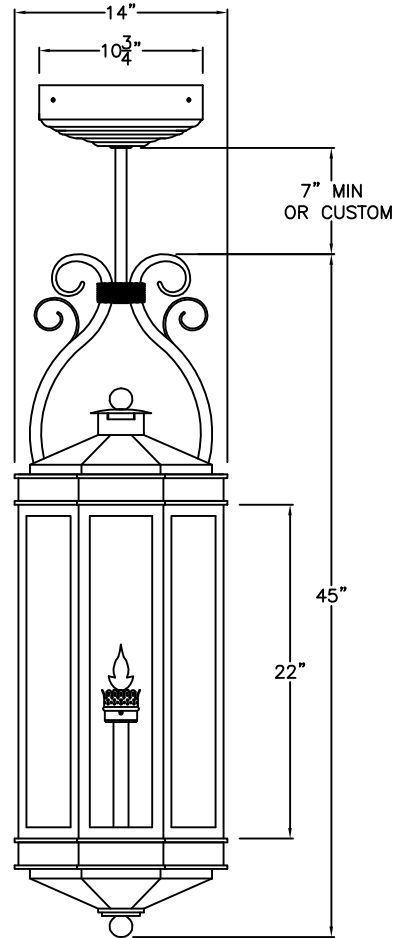
© 2011 SOLARA ENCHAINMENT  
 UNAUTHORIZED USE OF THIS  
 PLAN IS IN VIOLATION OF THE  
 U.S. COPYRIGHT ACT TITLE 17  
 OF THE U.S. CODE.



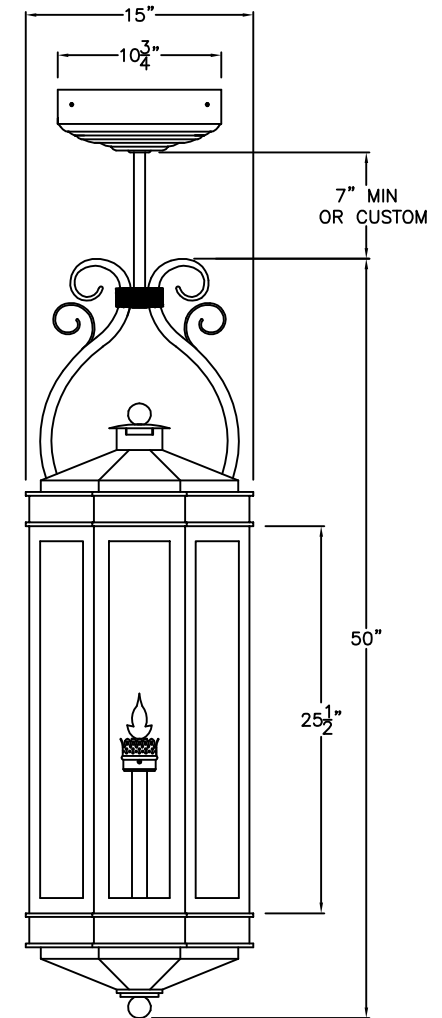
DESIGN:	CENTURY
LINE:	CENTRAL MOUNT
FILE:	D-011-022-EL-S100-1
DATE REV:	19-MAY-11



MEDIUM  
D-011-032  
13" W X 42" H



LARGE  
D-011-033  
14" W X 45" H



XLARGE  
D-011-034  
15" W X 50" H

AVAILABLE IN  
GAS & ELECTRIC  
WITH EXCEPTION  
OF SMALL SIZE

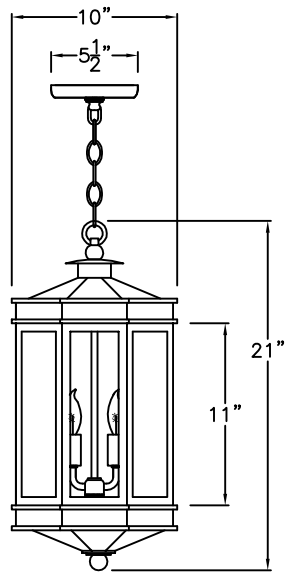
\* ACTUAL DIMENSIONS MAY VARY UP TO 1/2"

CUSTOM DRAWING CHANGES:

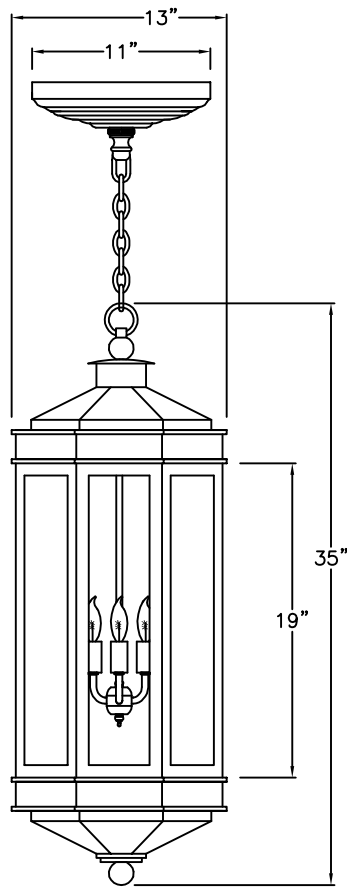
© 2011 SOLARA ENCHAINMENT  
UNAUTHORIZED USE OF THIS  
PLAN IS IN VIOLATION OF THE  
U.S. COPYRIGHT ACT TITLE 17  
OF THE U.S. CODE.



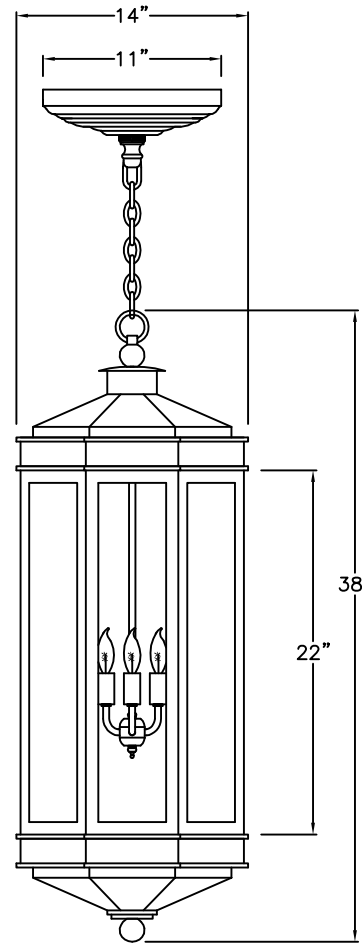
DESIGN:	CENTURY
LINE:	PENDANT STEM
FILE:	D-011-03SET-EG-S100-1
DATE REV:	18-MAY-11



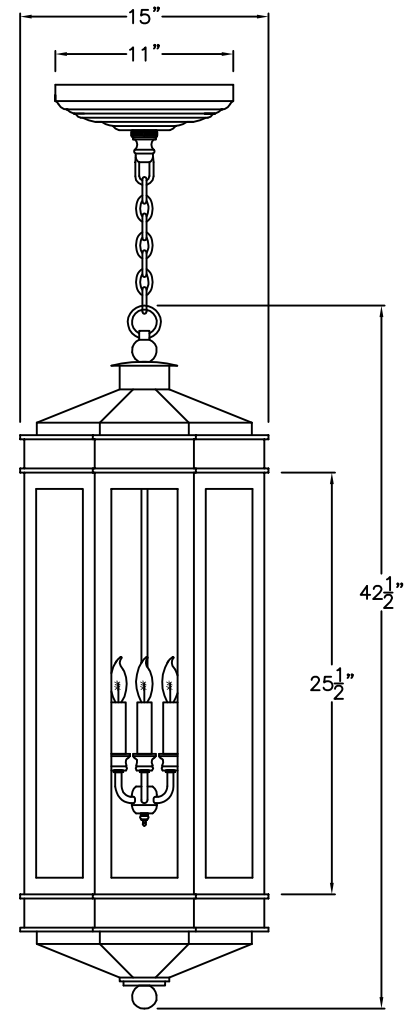
SMALL  
D-011-041  
10" W X 21" H



MEDIUM  
D-011-042  
13" W X 35" H



LARGE  
D-011-043  
14" W X 38" H



XLARGE  
D-011-044  
15" W X 42 1/2" H

ONLY AVAILABLE  
IN ELECTRIC

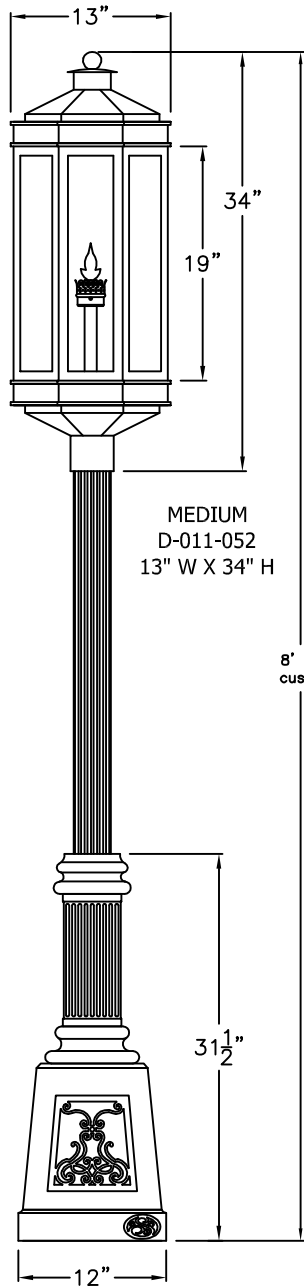
\* ACTUAL DIMENSIONS MAY VARY UP TO 1/2"

CUSTOM DRAWING CHANGES:

© 2011 SOLARA ENCHAINMENT  
UNAUTHORIZED USE OF THIS  
PLAN IS IN VIOLATION OF THE  
U.S. COPYRIGHT ACT TITLE 17  
OF THE U.S. CODE.



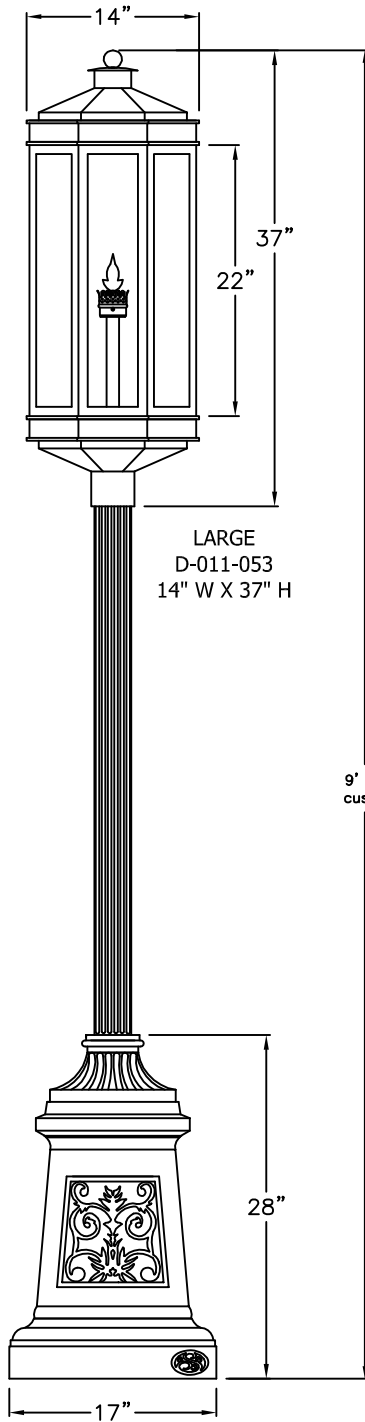
DESIGN:	CENTURY
LINE:	PENDANT CHAIN
FILE:	D-011-04SET-EL-S100-1
DATE REV :	18-APRIL-11



MEDIUM  
D-011-052  
13" W X 34" H

8' or  
custom

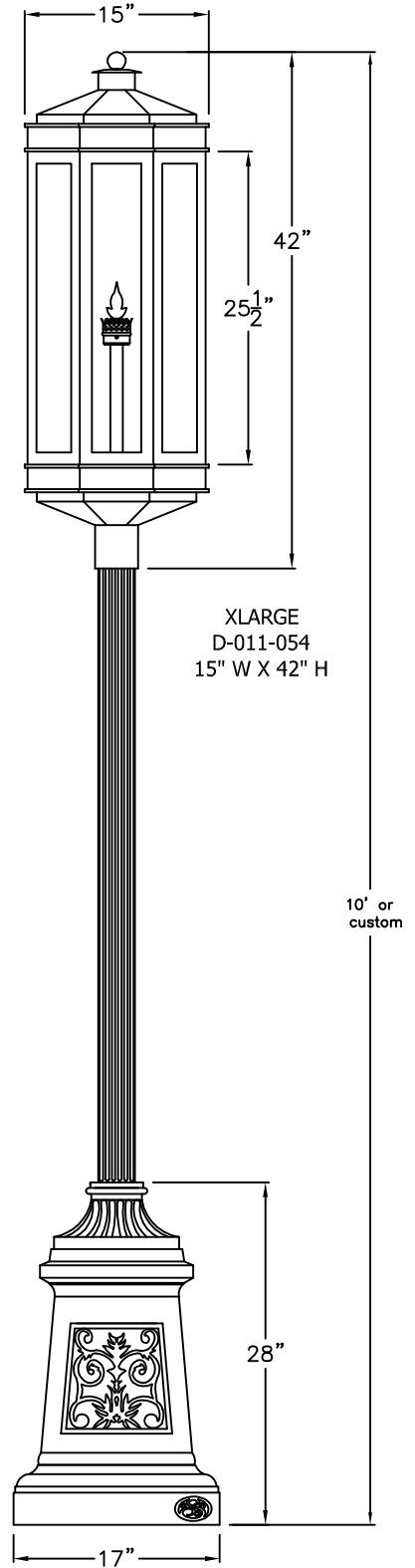
SOLARA BASE



LARGE  
D-011-053  
14" W X 37" H

9' or  
custom

MUNICH BASE



XLARGE  
D-011-054  
15" W X 42" H

10' or  
custom

AVAILABLE IN  
GAS & ELECTRIC  
WITH EXCEPTION  
OF SMALL SIZE

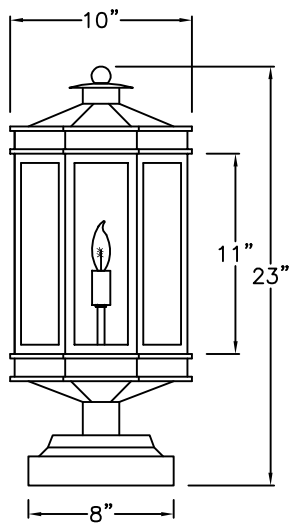
\* POST ARE SOLD SEPARATELY  
\* ACTUAL DIMENSIONS MAY VARY UP TO 1/2"

CUSTOM DRAWING CHANGES:

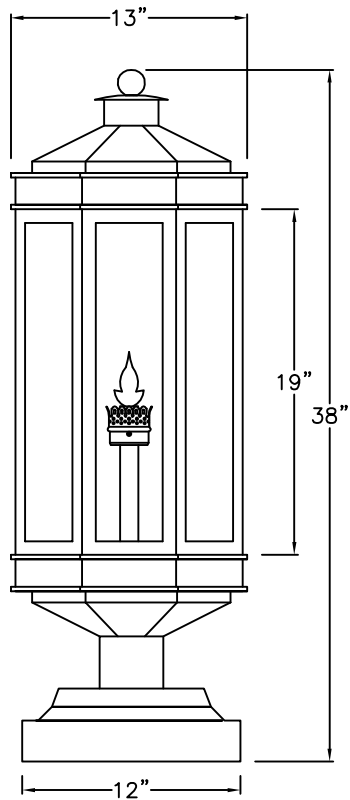
© 2011 SOLARA ENCHAINMENT  
UNAUTHORIZED USE OF THIS  
PLAN IS IN VIOLATION OF THE  
U.S. COPYRIGHT ACT TITLE 17  
OF THE U.S. CODE



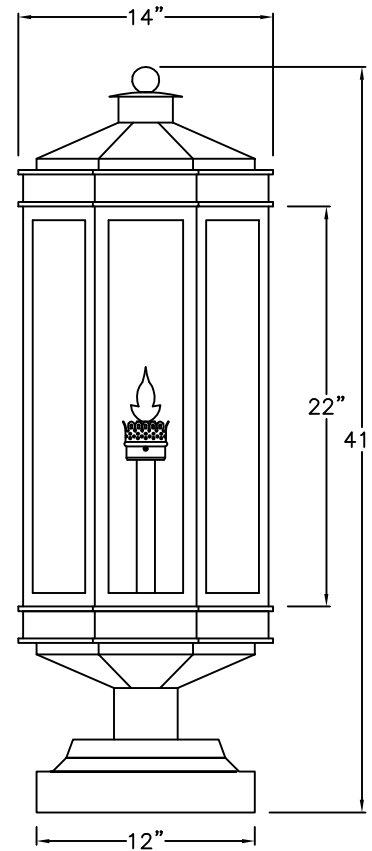
DESIGN: CENTURY  
LINE: POST MOUNT  
FILE: D-011-05SET-EG-S100-1  
DATE REV: 19-APRIL-11



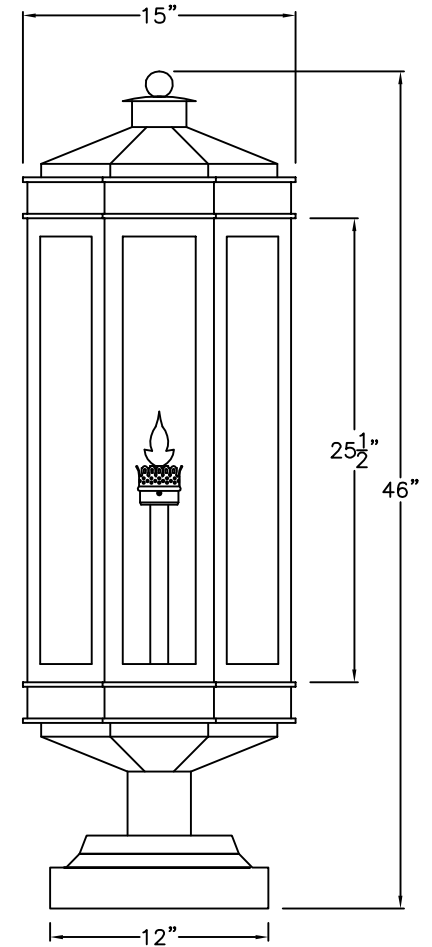
SMALL  
D-011-061  
10" W X 23" H



MEDIUM  
D-011-062  
13" W X 38" H



LARGE  
D-011-063  
14" W X 41" H



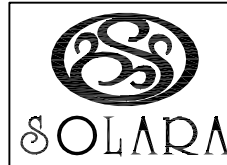
XLARGE  
D-011-064  
15" W X 46" H

AVAILABLE IN  
GAS & ELECTRIC  
WITH EXCEPTION  
OF SMALL SIZE

\* ACTUAL DIMENSIONS MAY VARY UP TO 1/2"

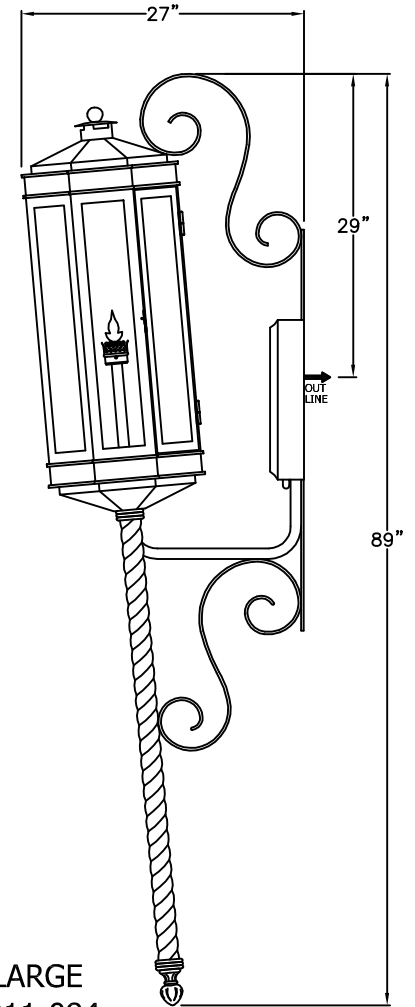
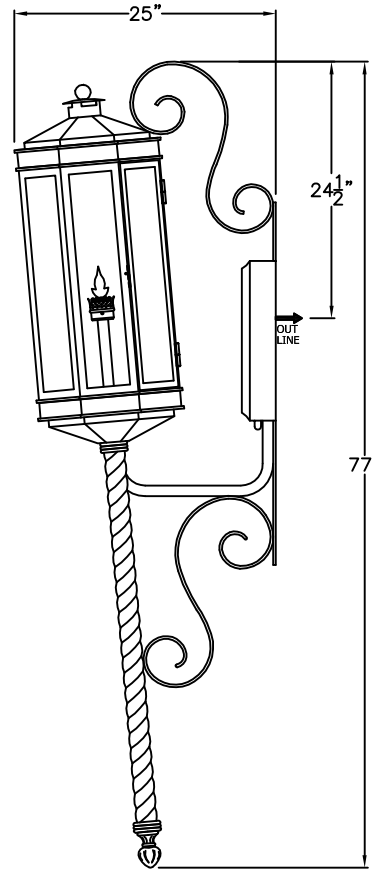
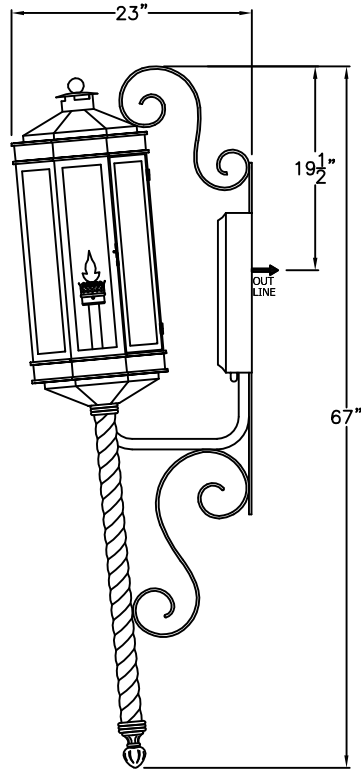
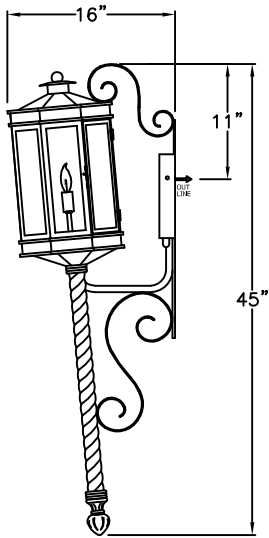
CUSTOM DRAWING CHANGES:

© 2011 SOLARA ENCHAINMENT  
UNAUTHORIZED USE OF THIS  
PLAN IS IN VIOLATION OF THE  
U.S. COPYRIGHT ACT TITLE 17  
OF THE U.S. CODE.



DESIGN:	CENTURY
LINE:	PIER MOUNT
FILE:	D-011-06SET-EG-S100-1
DATE REV:	19-APRIL-11





**SMALL**  
D-011-081  
10" W X 45" H X 16" D

**MEDIUM**  
D-011-082  
13" W X 67" H X 23" D

**LARGE**  
D-011-083  
14" W X 77" H X 25" D

**XLARGE**  
D-011-084  
15" W X 89" H X 27" D

AVAILABLE IN  
GAS & ELECTRIC  
WITH EXCEPTION  
OF SMALL SIZE

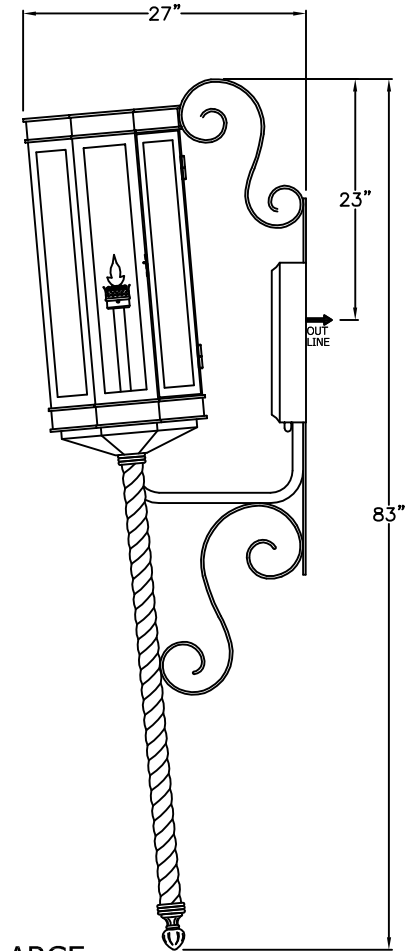
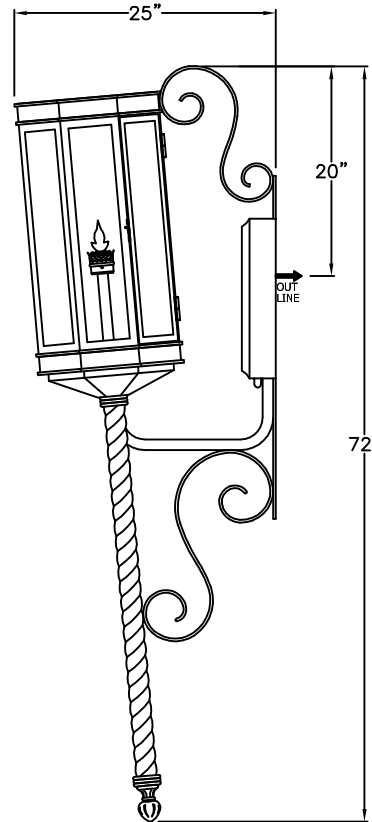
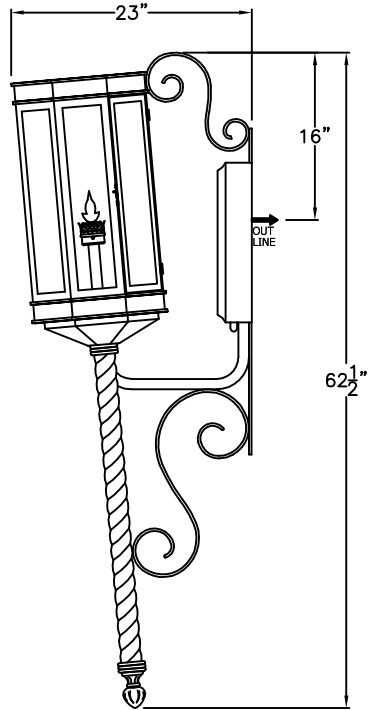
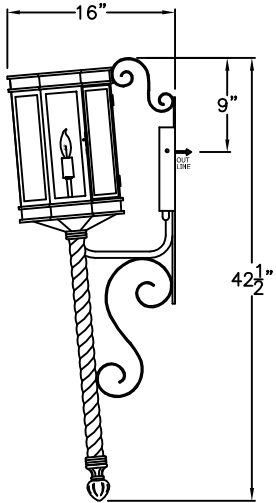
\* ACTUAL DIMENSIONS MAY VARY UP TO 1/2"

CUSTOM DRAWING CHANGES:

© 2011 SOLARA ENCHAINMENT  
UNAUTHORIZED USE OF THIS  
PLAN IS IN VIOLATION OF THE  
U.S. COPYRIGHT ACT TITLE 17  
OF THE U.S. CODE.



DESIGN:	CENTURY
LINE:	TORCH MOUNT
FILE:	D-011-08SET-EG-S100-1
DATE REV:	17-MAY-11



**SMALL**  
D-011-091  
10" W X 42 $\frac{1}{2}$ " H X 16" D

**MEDIUM**  
D-011-092  
13" W X 62 $\frac{1}{2}$ " H X 23" D

**LARGE**  
D-011-093  
14" W X 72" H X 25" D

**XLARGE**  
D-011-094  
15" W X 83" H X 27" D

AVAILABLE IN  
GAS & ELECTRIC  
WITH EXCEPTION  
OF SMALL SIZE

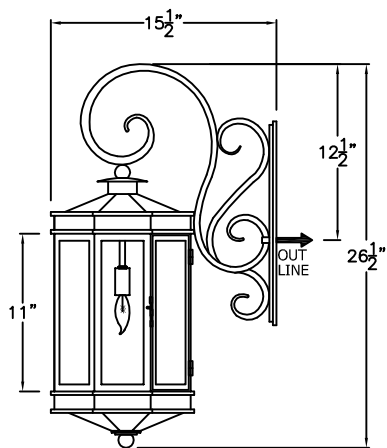
\* ACTUAL DIMENSIONS MAY VARY UP TO 1/2"

CUSTOM DRAWING CHANGES:

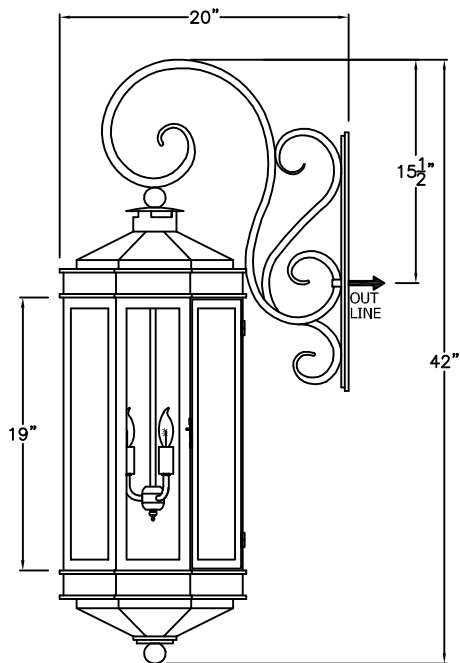
© 2011 SOLARA ENCHAINMENT  
UNAUTHORIZED USE OF THIS  
PLAN IS IN VIOLATION OF THE  
U.S. COPYRIGHT ACT TITLE 17  
OF THE U.S. CODE.



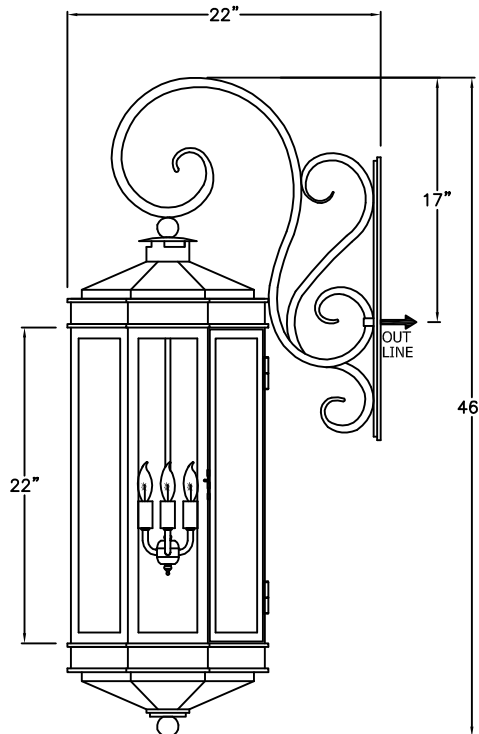
DESIGN:	CENTURY
LINE:	TORCH MOUNT
FILE:	D-011-09SET-EG-S100-1
DATE REV:	17-MAY-11



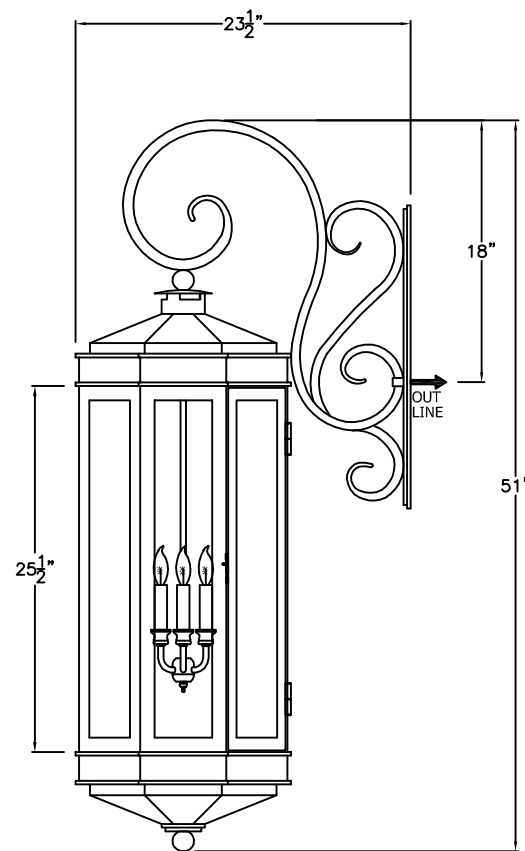
**SMALL**  
**D-011-101**  
 10" W X 26 1/2" H X 15 1/2" D



**MEDIUM**  
**D-011-102**  
 13" W X 42" H X 20" D



**LARGE**  
**D-011-103**  
 14" W X 46" H X 22" D



**XLARGE**  
**D-011-104**  
 15" W X 51" H X 23 1/2" D

**ONLY AVAILABLE  
 IN ELECTRIC**

**\* ACTUAL DIMENSIONS MAY VARY UP TO 1/2"**

CUSTOM DRAWING CHANGES:

© 2011 SOLARA ENCHAINMENT  
 UNAUTHORIZED USE OF THIS  
 PLAN IS IN VIOLATION OF THE  
 U.S. COPYRIGHT ACT TITLE 17  
 OF THE U.S. CODE.



DESIGN:	CENTURY
LINE:	HANGING BRACKET
FILE:	D-011-10SET-EL-S100-1
DATE REV:	17-MAY-11