



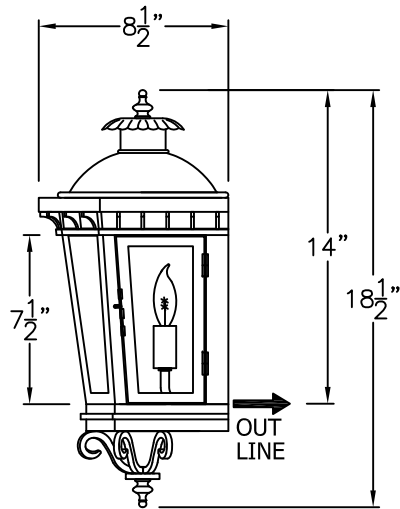
SOLARA

Iron Doors & Lighting

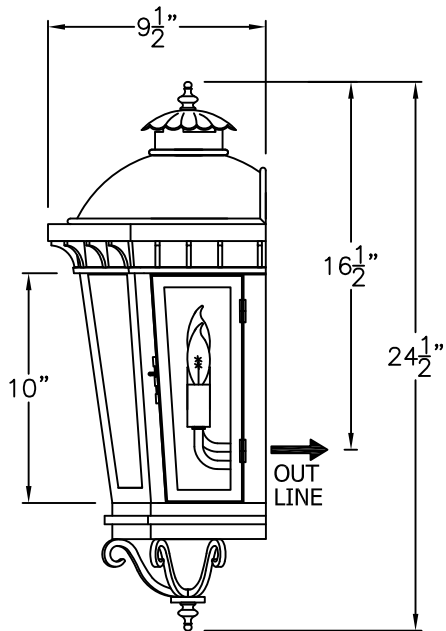


Constantino - D010

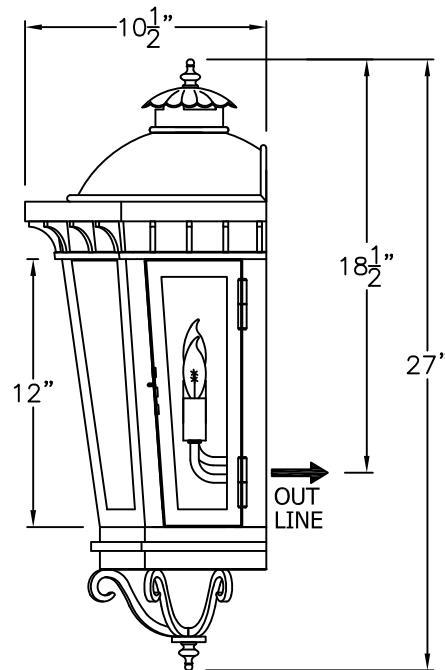




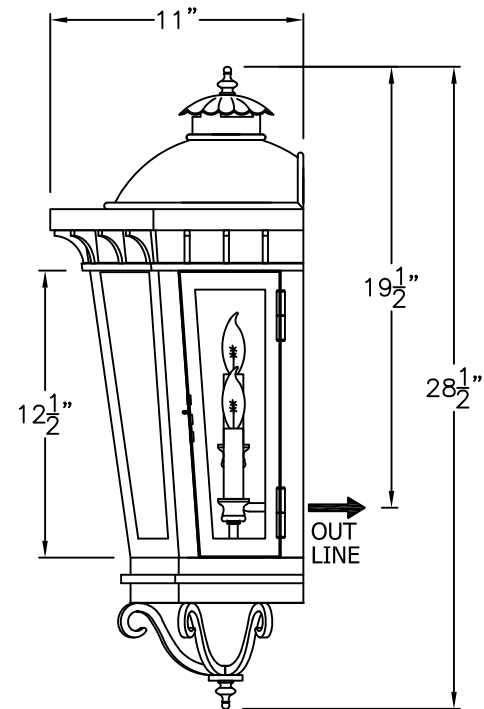
SMALL
D-010-001
9 1/2" W X 18 1/2" H X 8 1/2" D



MEDIUM
D-010-002
12 1/2" W X 24 1/2" H X 9 1/2" D



LARGE
D-010-003
14 1/2" W X 27" H X 10 1/2" D



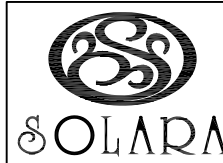
X-LARGE
D-010-004
15 1/2" W X 28 1/2" H X 11" D

ONLY AVAILABLE
IN ELECTRIC

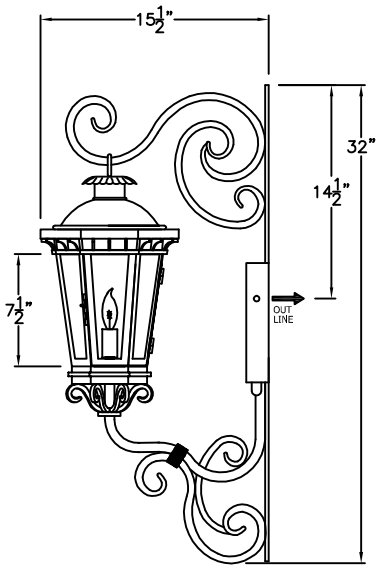
* ACTUAL DIMENSIONS MAY VARY UP TO 1/2"

CUSTOM DRAWING CHANGES:

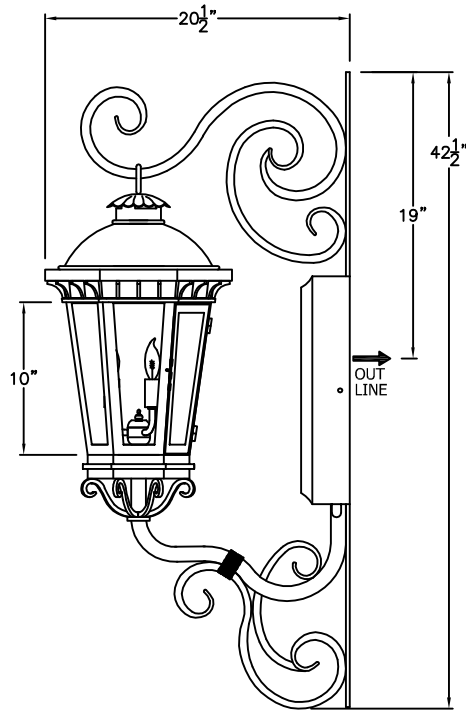
© 2011 SOLARA ENCHAINMENT
UNAUTHORIZED USE OF THIS
PLAN IS IN VIOLATION OF THE
U.S. COPYRIGHT ACT TITLE 17
OF THE U.S. CODE.



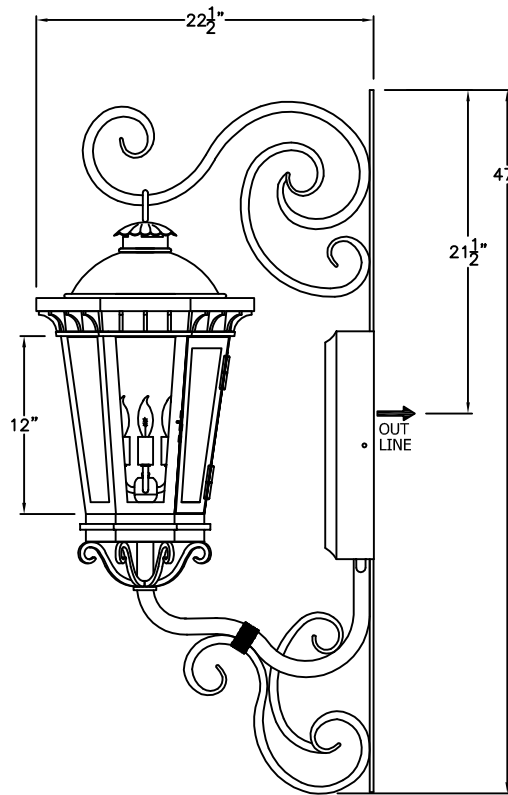
DESIGN:	CONSTANTINO
LINE:	FLUSH SCONCE MOUNT
FILE:	D-010-00SET-EL-S100-1
DATE REV:	06-JAN-11



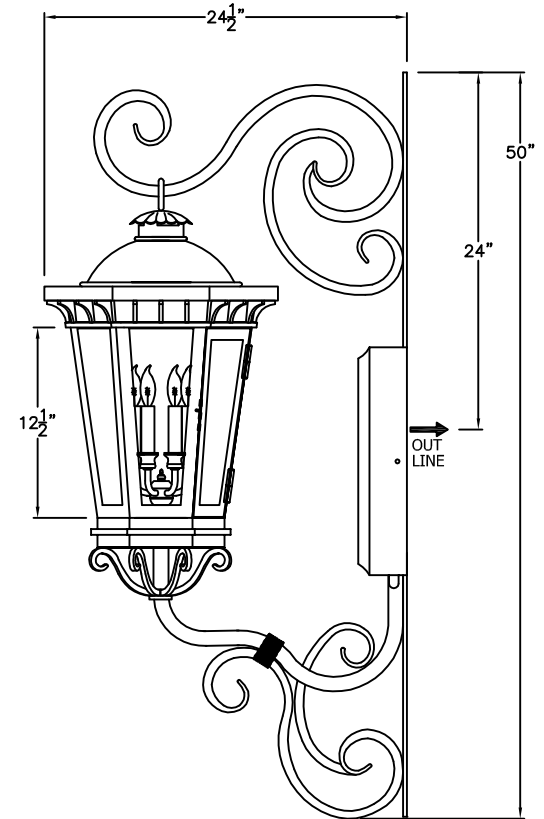
SMALL
D-010-011
9 1/2" W X 32" H X 15 1/2" D



MEDIUM
D-010-012
12 1/2" W X 42 1/2" H X 20 1/2" D



LARGE
D-010-013
14 1/2" W X 47" H X 22 1/2" D



X-LARGE
D-010-014
15 1/2" W X 50" H X 24 1/2" D

AVAILABLE IN
GAS & ELECTRIC
WITH EXCEPTION
OF SMALL SIZE

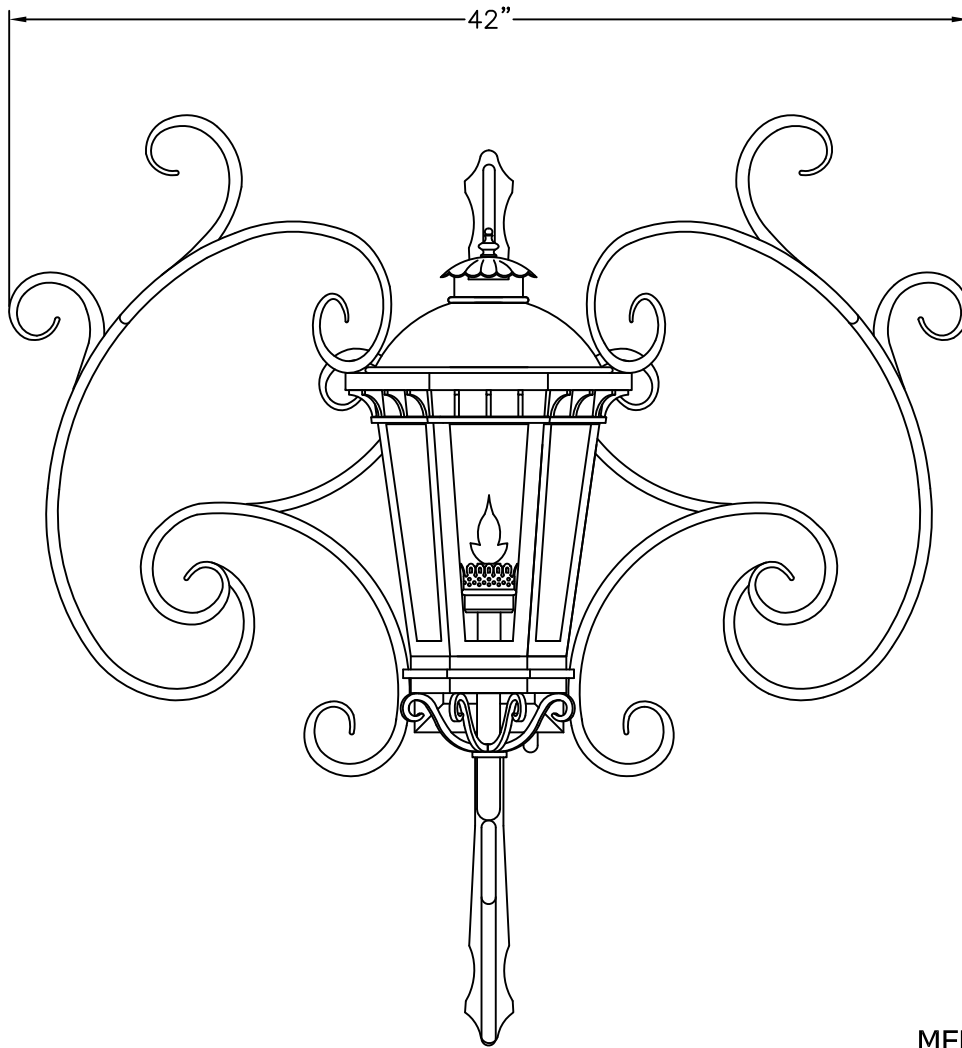
* ACTUAL DIMENSIONS MAY VARY UP TO 1/2"

CUSTOM DRAWING CHANGES:

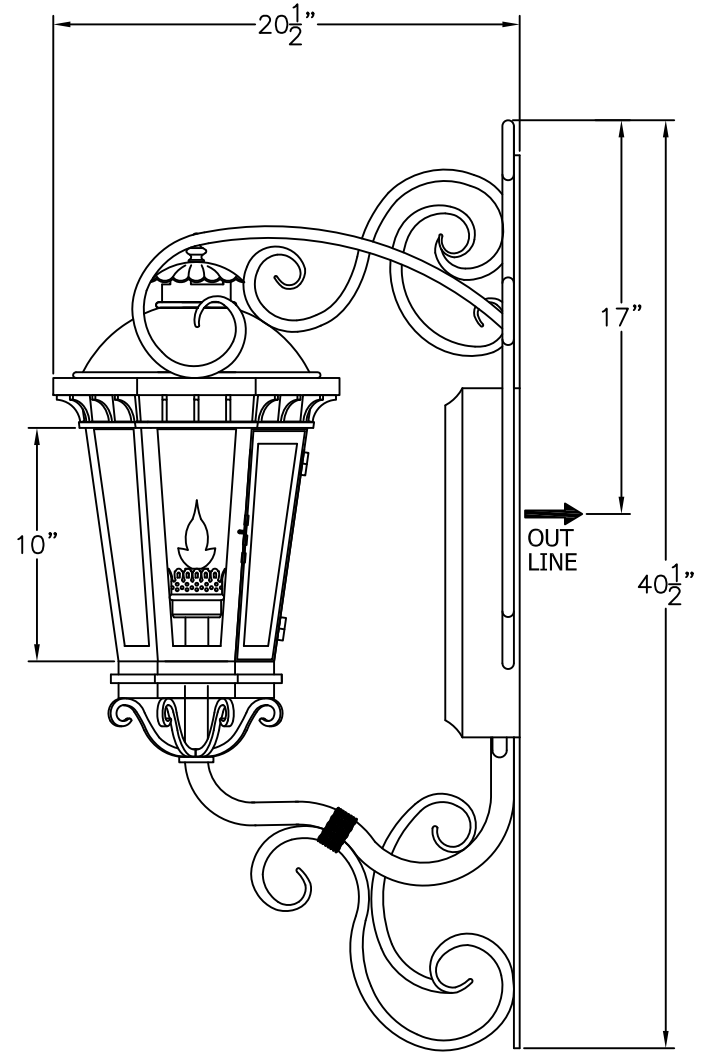
© 2011 SOLARA ENCHAINMENT
UNAUTHORIZED USE OF THIS
PLAN IS IN VIOLATION OF THE
U.S. COPYRIGHT ACT TITLE 17
OF THE U.S. CODE.



DESIGN:	CONSTANTINO
LINE:	WALL MOUNT
FILE:	D-010-01SET-EL-S100-1
DATE REV:	04-FEB-11



FRONT VIEW



SIDE VIEW

MEDIUM
 D-010-022
 42" W X 40 1/2" H X 20 1/2" D

AVAILABLE IN
 GAS & ELECTRIC
 WITH EXCEPTION
 OF SMALL SIZE

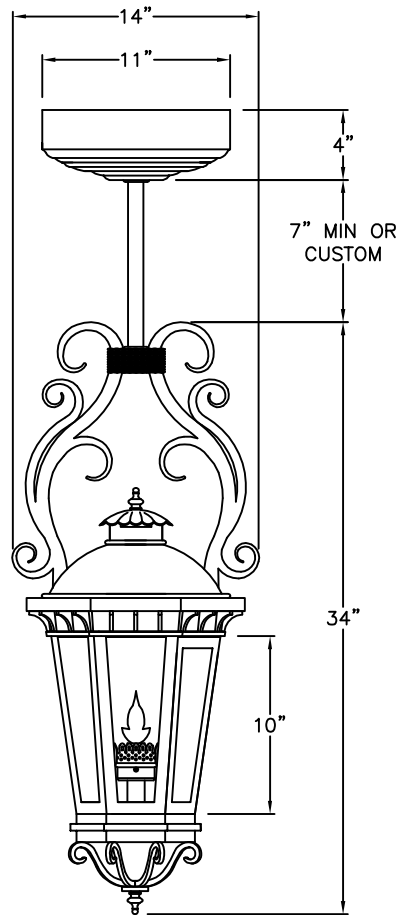
* ACTUAL DIMENSIONS MAY VARY UP TO 1/2"

CUSTOM DRAWING CHANGES:

© 2011 SOLARA ENCHAINMENT
 UNAUTHORIZED USE OF THIS
 PLAN IS IN VIOLATION OF THE
 U.S. COPYRIGHT ACT TITLE 17
 OF THE U.S. CODE.

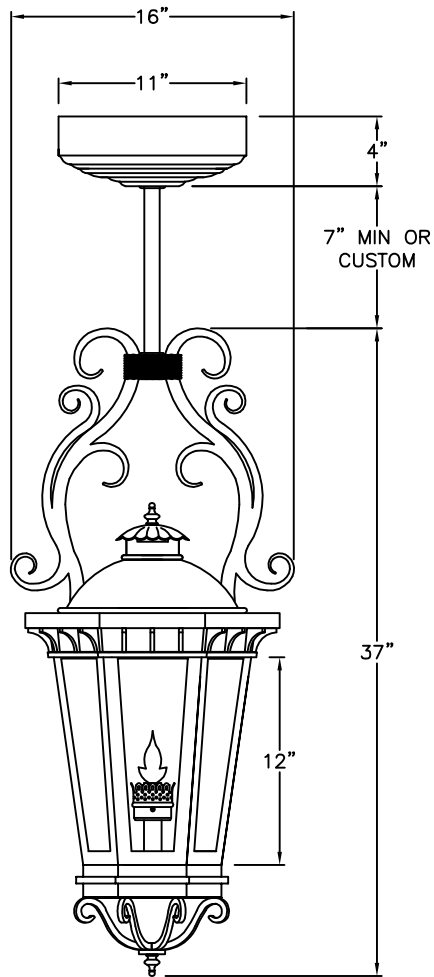


DESIGN:	CONSTANTINO
LINE:	CENTRAL MOUNT
FILE:	D-010-022-EG-S100-2
DATE REV:	03-FEB-11

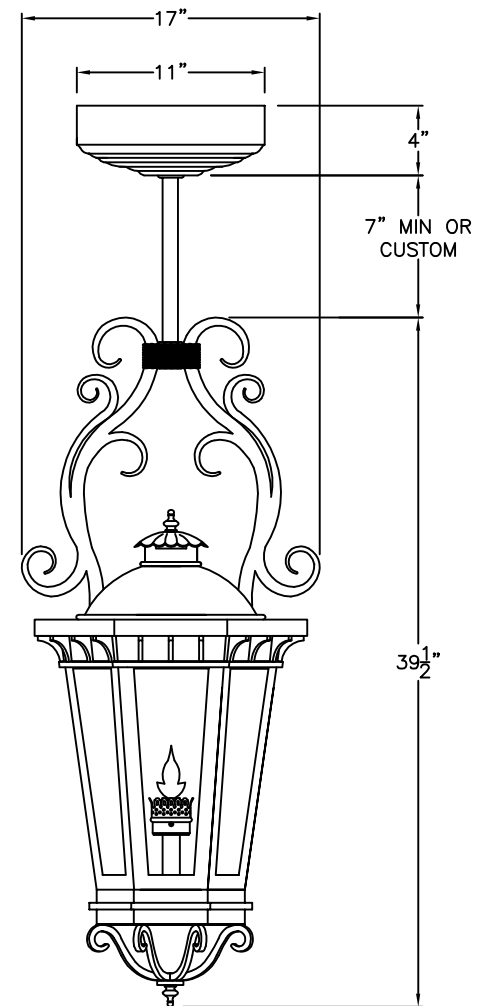


MEDIUM
D-010-032
14" W X 34" H

AVAILABLE IN
GAS & ELECTRIC
WITH EXCEPTION
OF SMALL SIZE



LARGE
D-010-033
16" W X 37" H



X-LARGE
D-010-034
17" W X 39 1/2" H

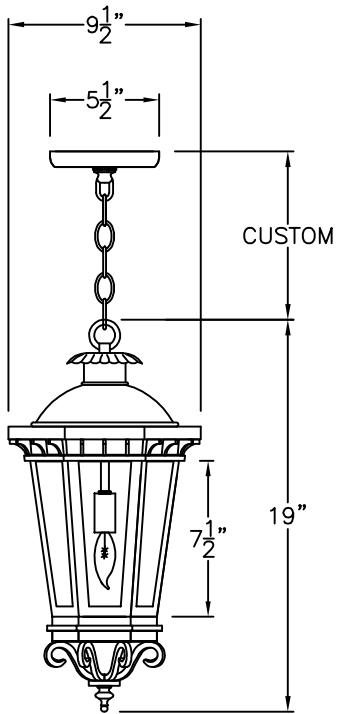
* ACTUAL DIMENSIONS MAY VARY UP TO 1/2"

CUSTOM DRAWING CHANGES:

© 2011 SOLARA ENCHAINMENT
UNAUTHORIZED USE OF THIS
PLAN IS IN VIOLATION OF THE
U.S. COPYRIGHT ACT TITLE 17
OF THE U.S. CODE.

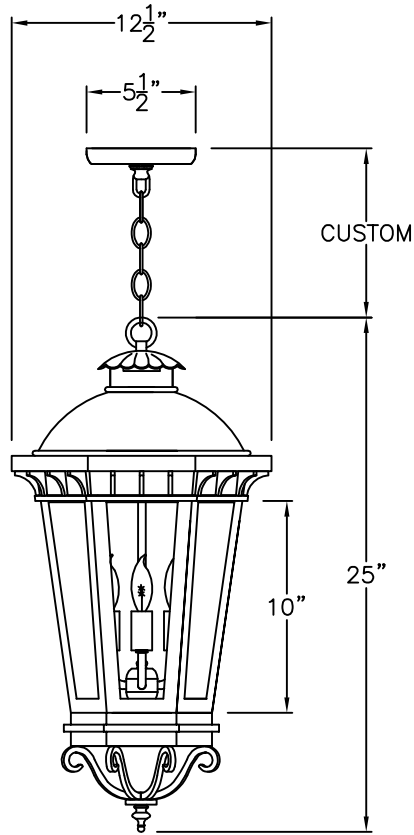


DESIGN:	CONSTANTINO
LINE:	PENDANT STEM MOUNT
FILE:	D-010-03SET-EG-S100-1
DATE REV:	04-FEB-11

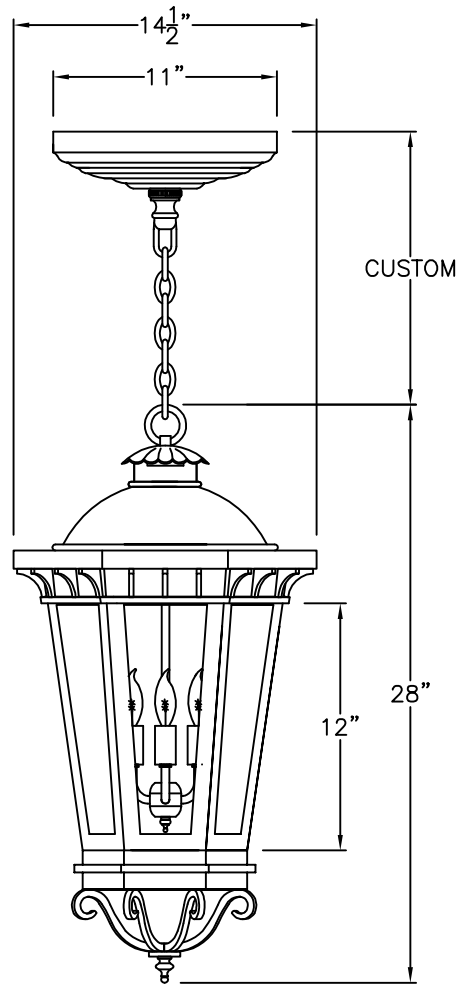


SMALL
D-010-041
9 1/2" W X 19" H

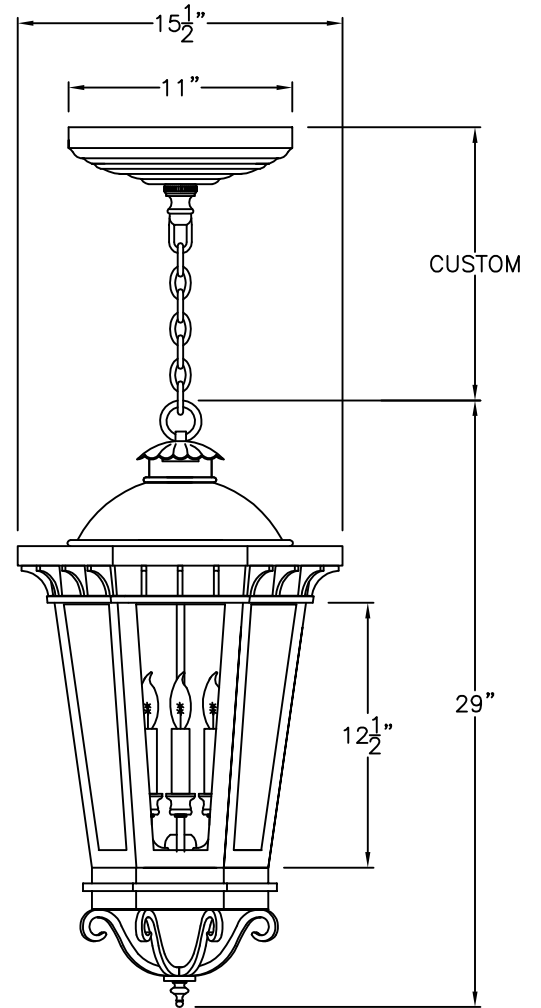
ONLY AVAILABLE
IN ELECTRIC



MEDIUM
D-010-042
12 1/2" W X 25" H



LARGE
D-010-043
14 1/2" W X 28" H



X-LARGE
D-010-044
15 1/2" W X 29" H

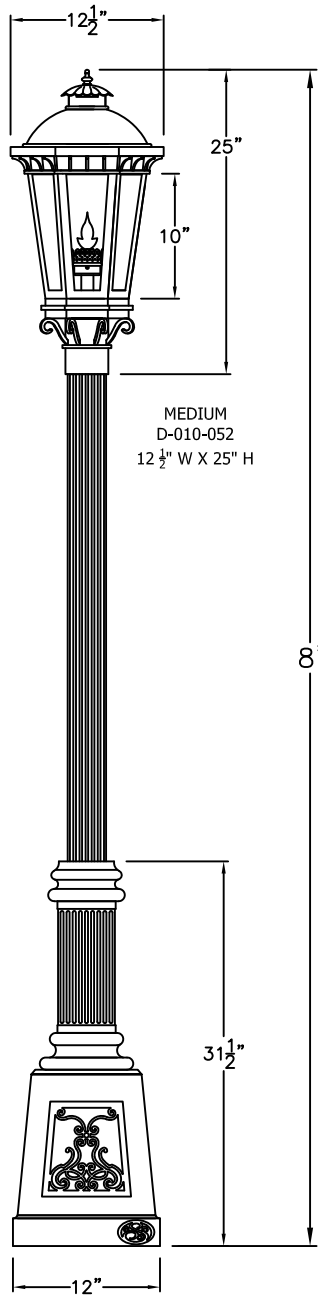
* ACTUAL DIMENSIONS MAY VARY UP TO 1/2"

CUSTOM DRAWING CHANGES:

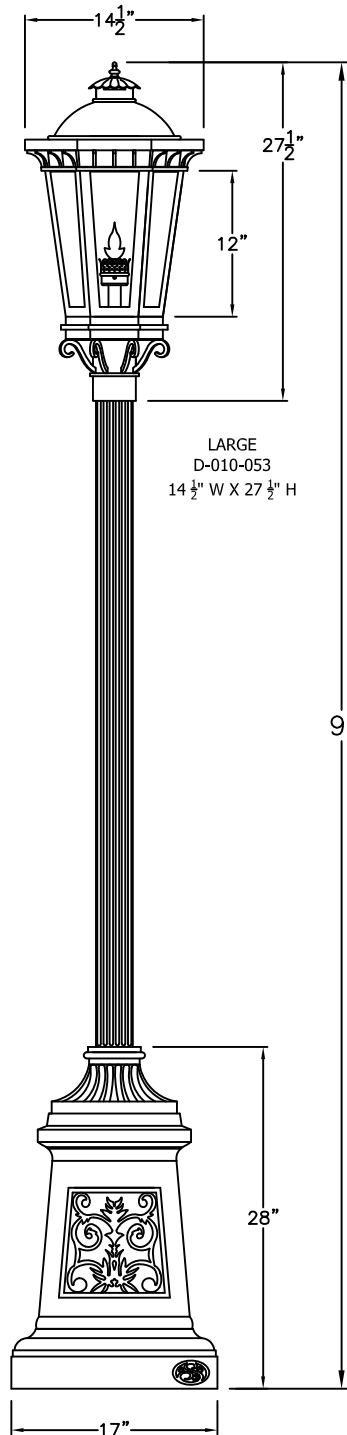
© 2011 SOLARA ENCHAINMENT
UNAUTHORIZED USE OF THIS
PLAN IS IN VIOLATION OF THE
U.S. COPYRIGHT ACT TITLE 17
OF THE U.S. CODE.



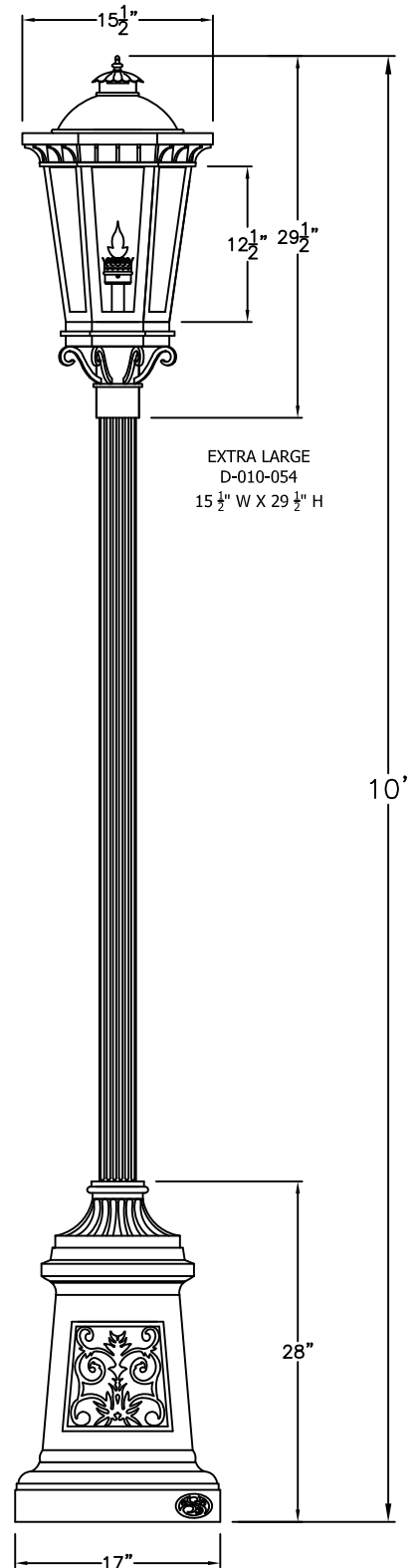
DESIGN:	CONSTANTINO
LINE:	PENDANT CHAIN MOUNT
FILE:	D-010-04SET-EL-S100-1
DATE REV:	04-FEB-11



SOLARA BASE



MUNICH BASE



AVAILABLE IN
GAS & ELECTRIC
WITH EXCEPTION
OF SMALL SIZE

* POST ARE SOLD SEPARATELY
* ACTUAL DIMENSIONS MAY VARY UP TO 1/2"

CUSTOM DRAWING CHANGES:

© 2011 SOLARA ENCHAINMENT
UNAUTHORIZED USE OF THIS
PLAN IS IN VIOLATION OF THE
U.S. COPYRIGHT ACT TITLE 17
OF THE U.S. CODE

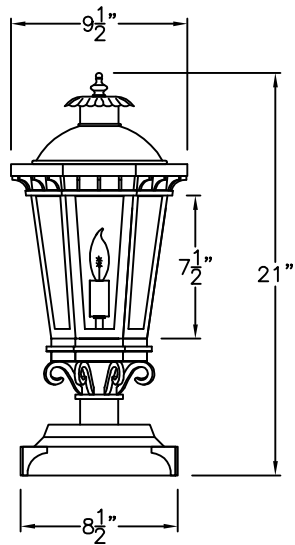


DESIGN: CONSTANTINO

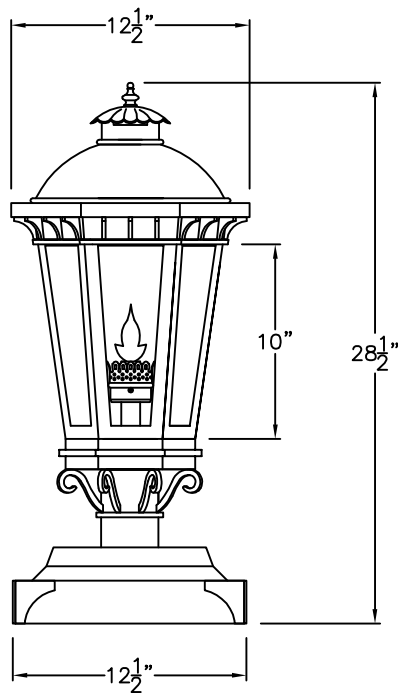
LINE: POST MOUNT

FILE: D-010-05SET-EG-S100-1

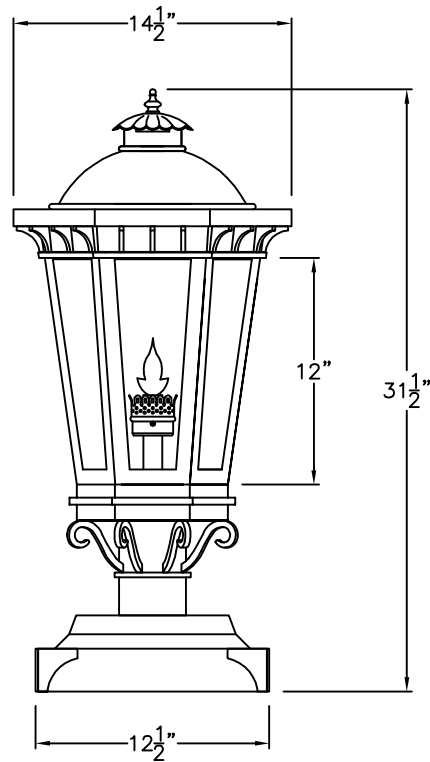
DATE REV: 03-FEB-11



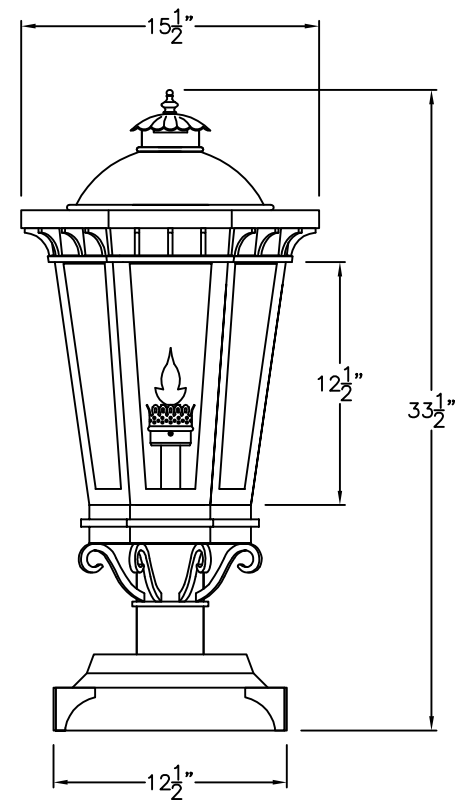
SMALL
D-010-061
9 1/2" W X 21" H



MEDIUM
D-010-062
12 1/2" W X 28 1/2" H



LARGE
D-010-063
14 1/2" W X 31 1/2" H



X-LARGE
D-010-064
15 1/2" W X 33 1/2" H

AVAILABLE IN
GAS & ELECTRIC
WITH EXCEPTION
OF SMALL SIZE

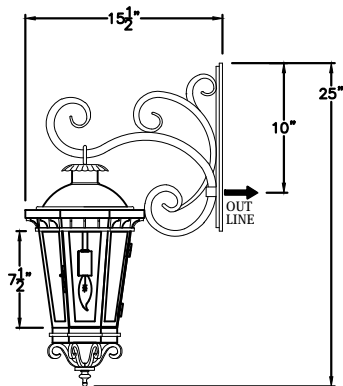
* ACTUAL DIMENSIONS MAY VARY UP TO 1/2"

CUSTOM DRAWING CHANGES:

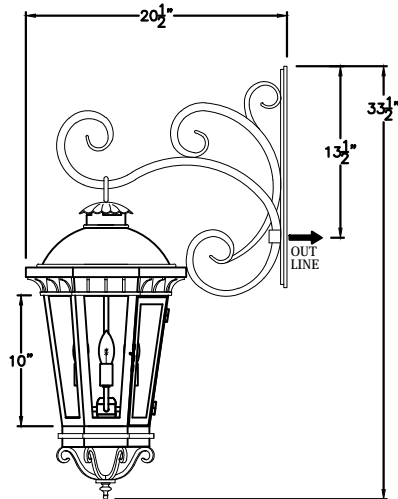
© 2011 SOLARA ENCHAINMENT
UNAUTHORIZED USE OF THIS
PLAN IS IN VIOLATION OF THE
U.S. COPYRIGHT ACT TITLE 17
OF THE U.S. CODE.



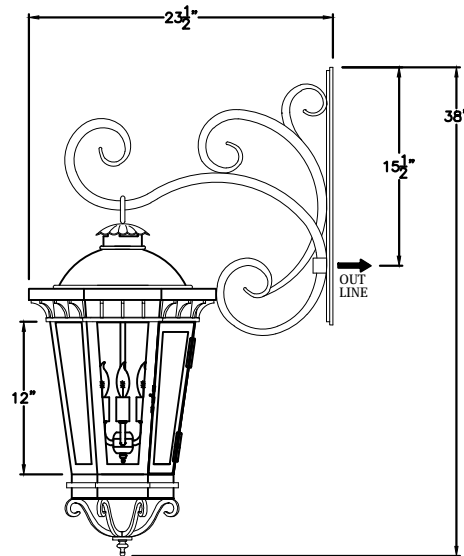
DESIGN:	CONSTANTINO
LINE:	PIER MOUNT
FILE:	D-010-06SET-EG-S100-1
DATE REV:	04-FEB-11



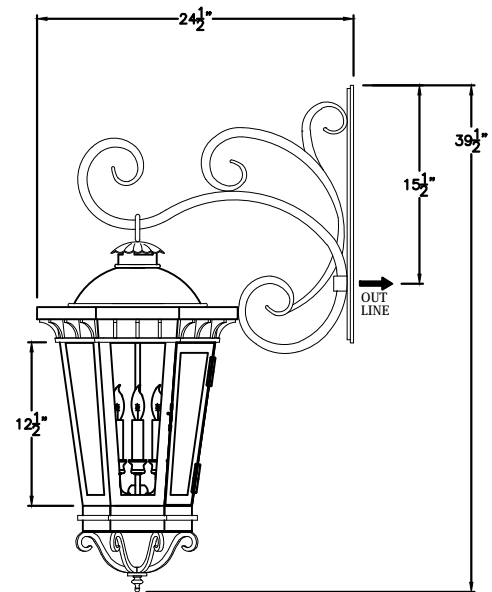
SMALL
D-010-101
9 1/2" W X 25" H X 15 1/2" D



MEDIUM
D-010-102
12 1/2" W X 33 1/2" H X 20 1/2" D



LARGE
D-010-103
14 1/2" W X 38" H X 23 1/2" D



X-LARGE
D-010-104
15 1/2" W X 39 1/2" H X 24 1/2" D

ONLY AVAILABLE
IN ELECTRIC

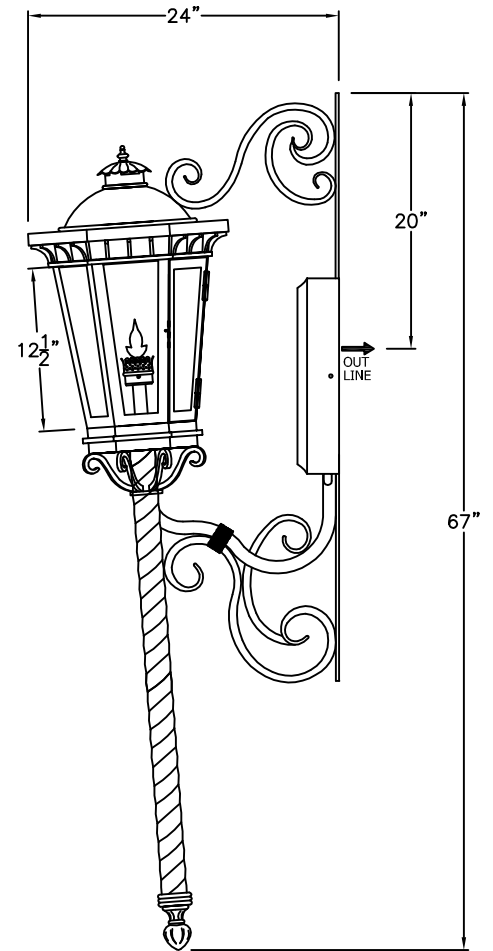
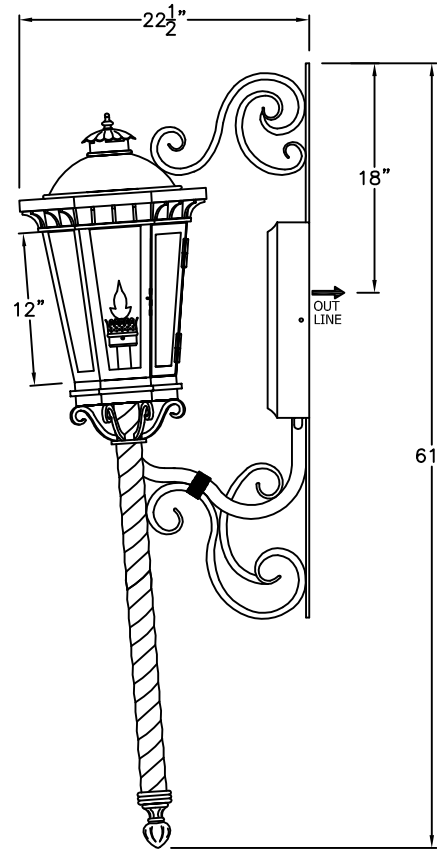
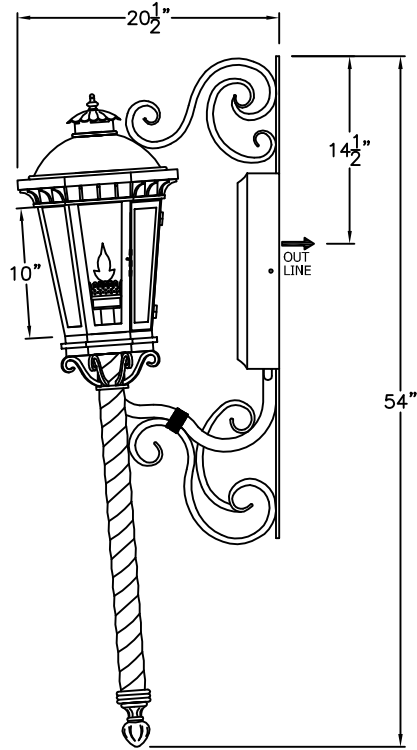
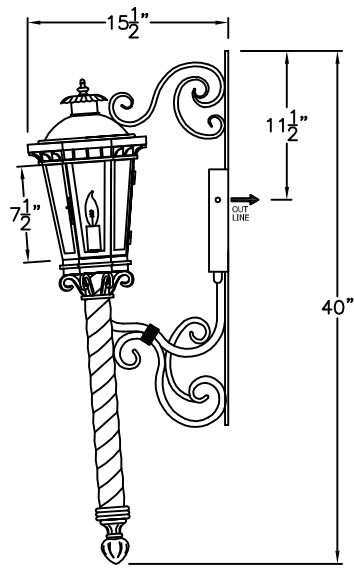
* ACTUAL DIMENSIONS MAY VARY UP TO 1/2"

CUSTOM DRAWING CHANGES:

© 2011 SOLARA ENCHAINMENT
UNAUTHORIZED USE OF THIS
PLAN IS IN VIOLATION OF THE
U.S. COPYRIGHT ACT TITLE 17
OF THE U.S. CODE.



DESIGN:	CONSTANTINO
LINE:	HANGING MOUNT
FILE:	D-010-10SET-EL-S100-2
DATE REV :	26-OCT-16



SMALL
D-010-081

9 1/2" W X 40" H X 15 1/2" D

MEDIUM
D-010-082

12 1/2" W X 54" H X 20 1/2" D

LARGE
D-010-083

14 1/2" W X 61" H X 22 1/2" D

X-LARGE
D-010-084

15 1/2" W X 67" H X 24" D

AVAILABLE IN
GAS & ELECTRIC
WITH EXCEPTION
OF SMALL SIZE

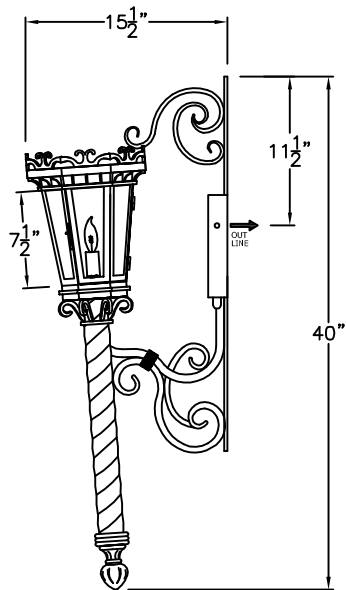
* ACTUAL DIMENSIONS MAY VARY UP TO 1/2"

CUSTOM DRAWING CHANGES:

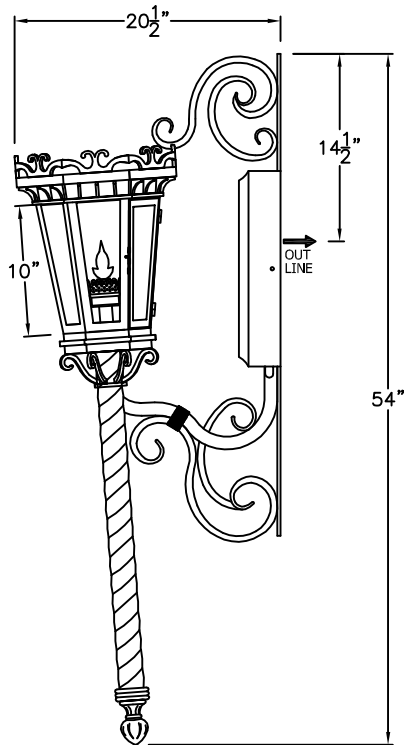
© 2011 SOLARA ENCHAINMENT
UNAUTHORIZED USE OF THIS
PLAN IS IN VIOLATION OF THE
U.S. COPYRIGHT ACT TITLE 17
OF THE U.S. CODE.



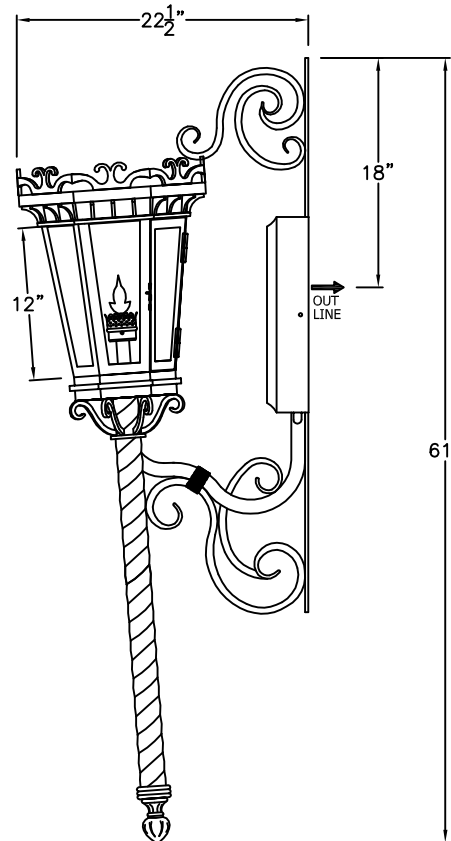
DESIGN:	CONSTANTINO
LINE:	TORCH MOUNT
FILE:	D-010-08SET-EG-S100-1
DATE REV:	04-FEB-11



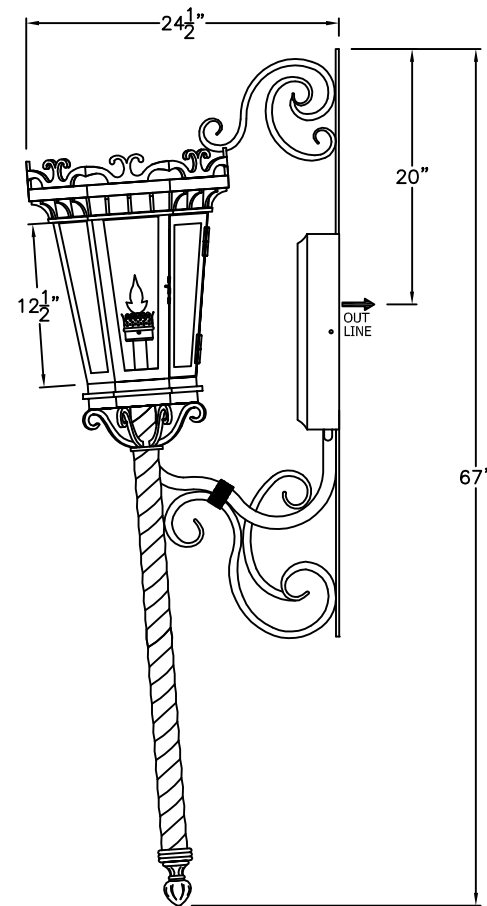
SMALL
D-010-091
9 1/2" W X 40" H X 15 1/2" D



MEDIUM
D-010-092
12 1/2" W X 54" H X 20 1/2" D



LARGE
D-010-093
14 1/2" W X 61" H X 22 1/2" D



X-LARGE
D-010-094
15 1/2" W X 67" H X 24 1/2" D

AVAILABLE IN
GAS & ELECTRIC
WITH EXCEPTION
OF SMALL SIZE

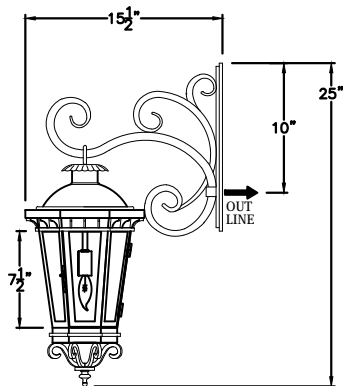
* ACTUAL DIMENSIONS MAY VARY UP TO 1/2"

CUSTOM DRAWING CHANGES:

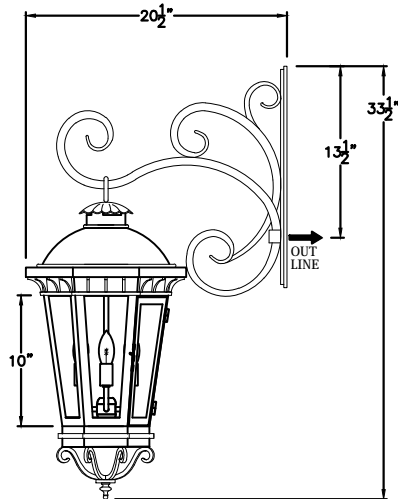
© 2011 SOLARA ENCHAINMENT
UNAUTHORIZED USE OF THIS
PLAN IS IN VIOLATION OF THE
U.S. COPYRIGHT ACT TITLE 17
OF THE U.S. CODE.



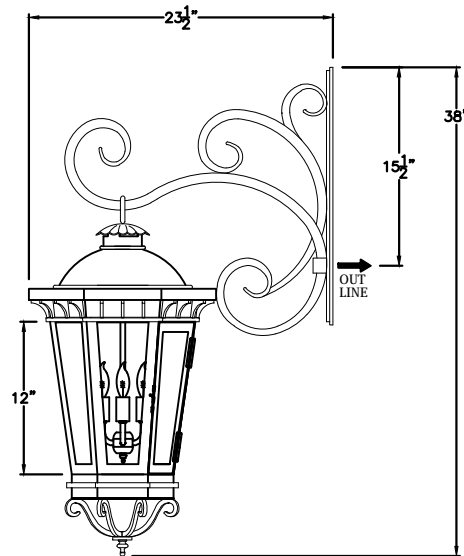
DESIGN:	CONSTANTINO
LINE:	TORCH MOUNT
FILE:	D-010-09SET-EG-S100-1
DATE REV :	04-FEB-11



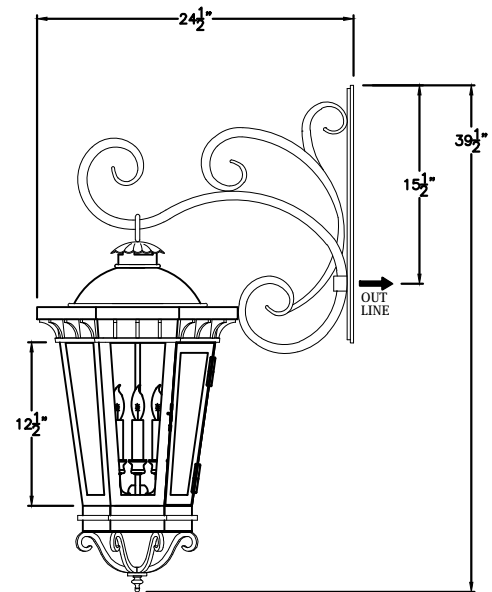
SMALL
D-010-101
9 1/2" W X 25" H X 15 1/2" D



MEDIUM
D-010-102
12 1/2" W X 33 1/2" H X 20 1/2" D



LARGE
D-010-103
14 1/2" W X 38" H X 23 1/2" D



X-LARGE
D-010-104
15 1/2" W X 39 1/2" H X 24 1/2" D

ONLY AVAILABLE
IN ELECTRIC

* ACTUAL DIMENSIONS MAY VARY UP TO 1/2"

CUSTOM DRAWING CHANGES:

© 2011 SOLARA ENCHAINMENT
UNAUTHORIZED USE OF THIS
PLAN IS IN VIOLATION OF THE
U.S. COPYRIGHT ACT TITLE 17
OF THE U.S. CODE.



DESIGN:	CONSTANTINO
LINE:	HANGING MOUNT
FILE:	D-010-10SET-EL-S100-2
DATE REV :	26-OCT-16