



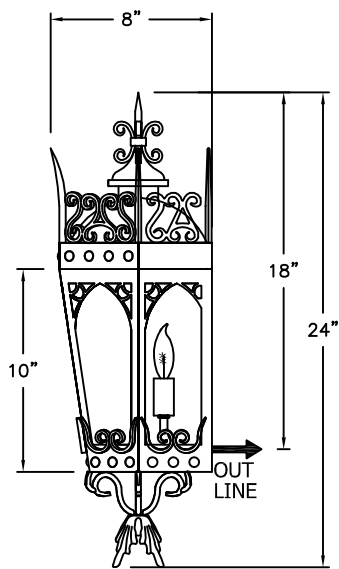
SOLARA

Iron Doors & Lighting

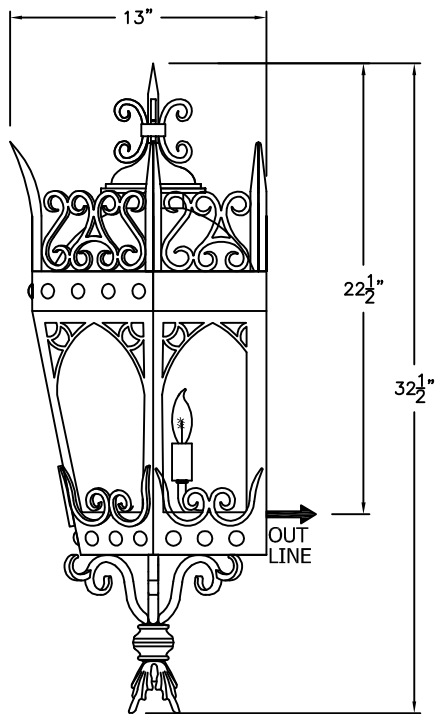


Dresden - F002

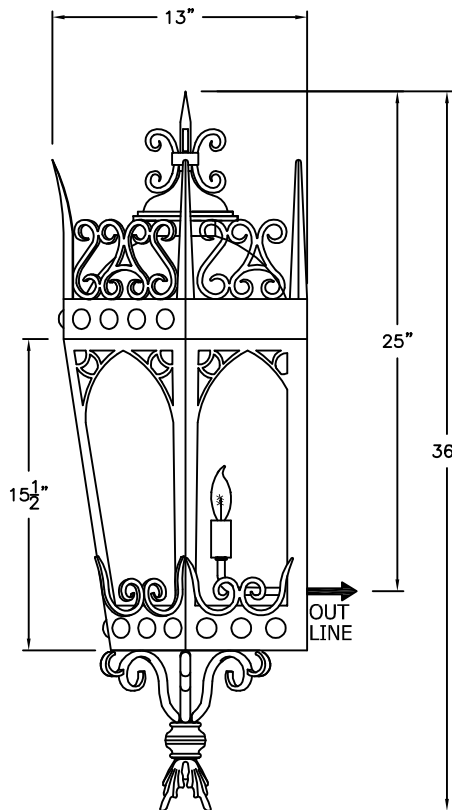




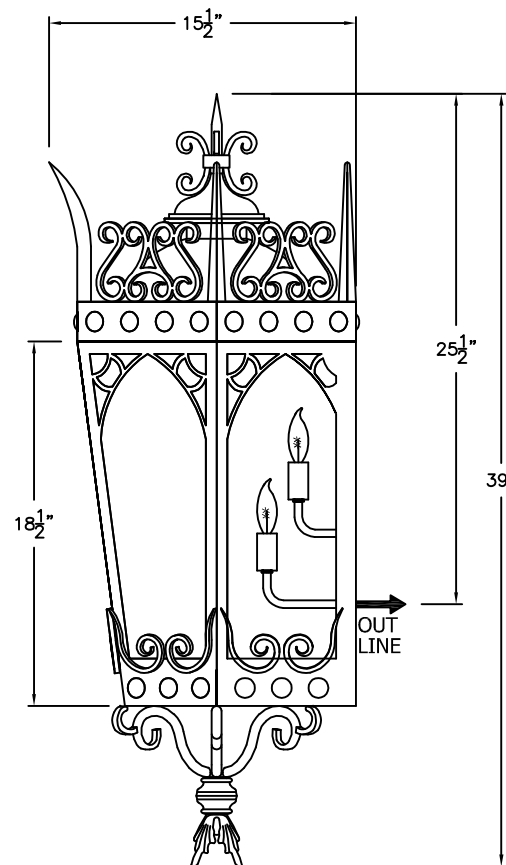
SMALL
F-002-001
 10" W x 24" H x 8" D



MEDIUM
F-002-002
 16" W x 32 1/2" H x 13" D



LARGE
F-002-003
 17" W x 36" H x 13" D



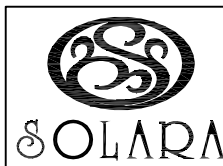
X-LARGE
F-002-004
 19" W x 39" H x 15 1/2" D

ONLY AVAILABLE
 IN ELECTRIC

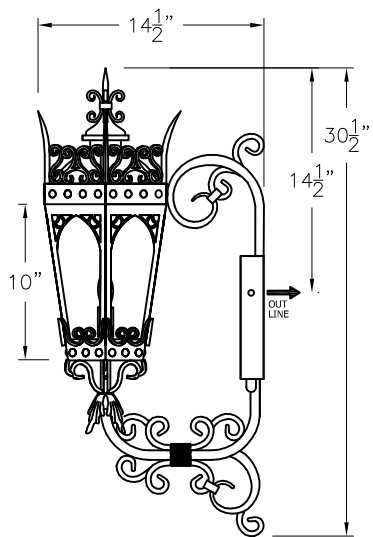
* ACTUAL DIMENSIONS MAY VARY UP TO 1/2"

CUSTOM DRAWING CHANGES:

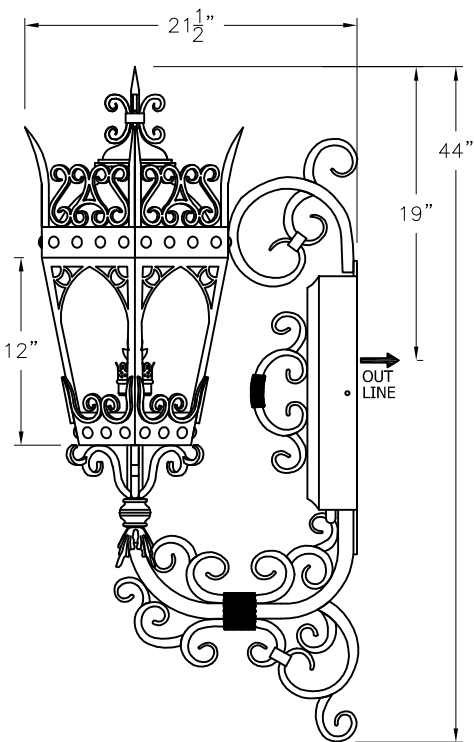
© 2011 SOLARA ENCHAINMENT
 UNAUTHORIZED USE OF THIS
 PLAN IS IN VIOLATION OF THE
 U.S. COPYRIGHT ACT TITLE 17
 OF THE U.S. CODE



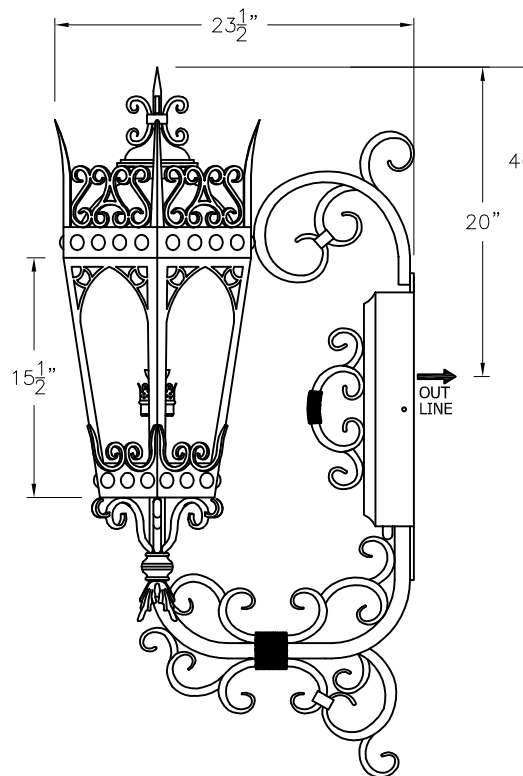
DESIGN:	DRESDEN
LINE:	SCONCE MOUNT
FILE:	F-002-00SET-EL-S100-1
DATE REV:	31-JAN-11



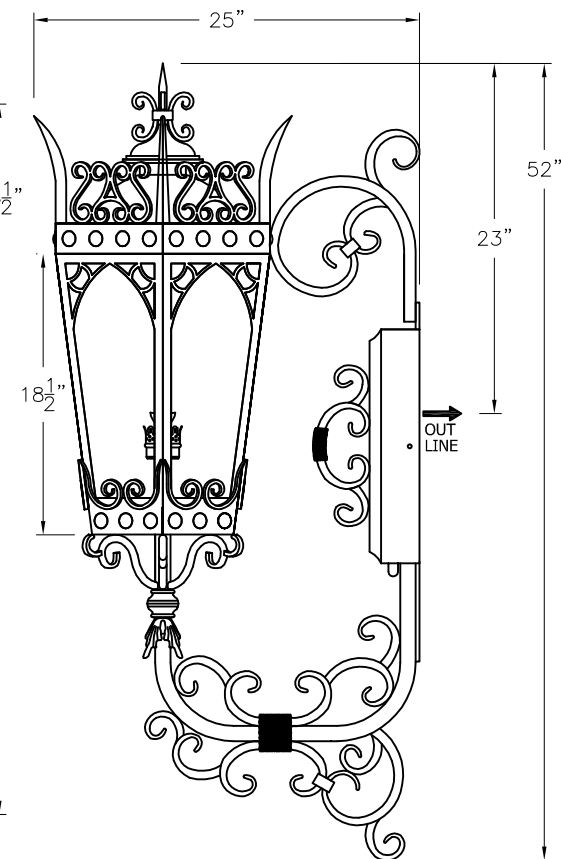
SMALL
F-002-011
 10" W x 30 1/2" H x 14 1/2" D



MEDIUM
F-002-012
 16" W x 44" H x 21 1/2" D



LARGE
F-002-013
 17" W x 46 1/2" H x 23 1/2" D



X-LARGE
F-002-014
 19" W x 52" H x 25" D

AVAILABLE IN
 GAS & ELECTRIC
 WITH EXCEPTION
 OF SMALL SIZE

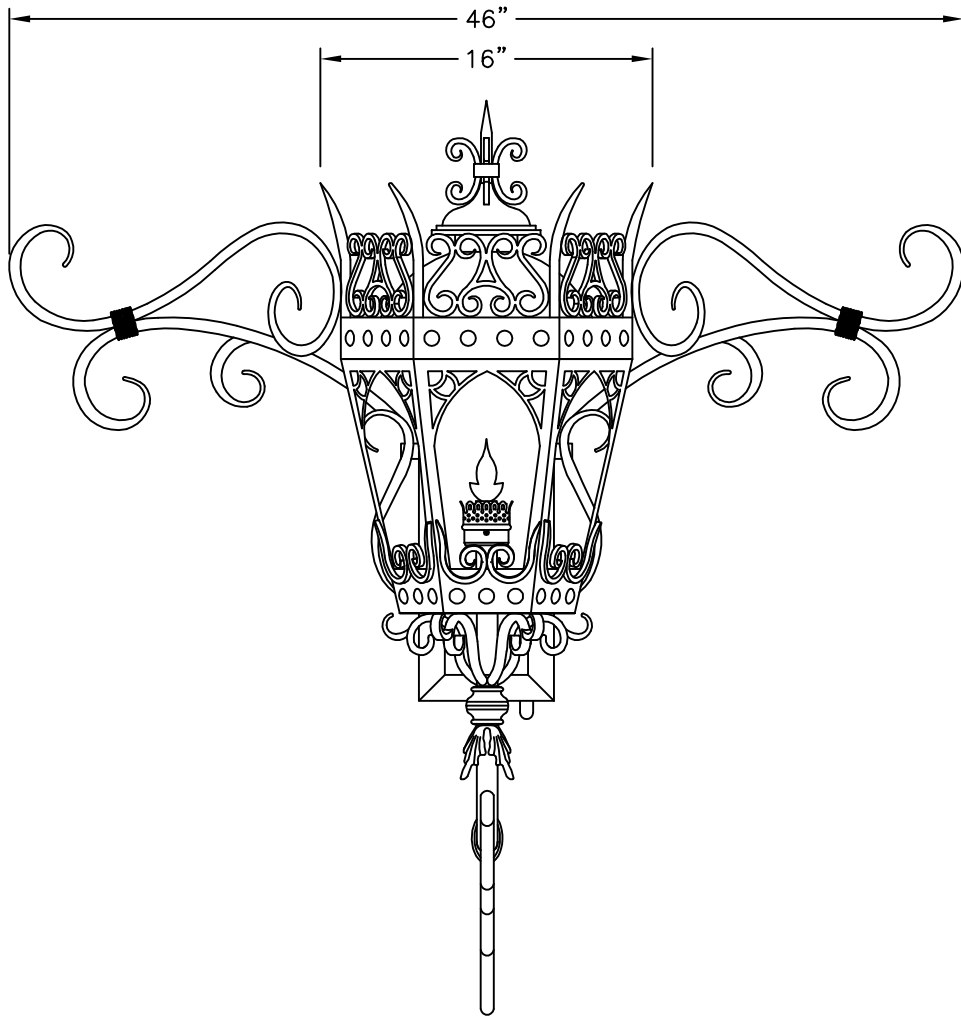
* ACTUAL DIMENSIONS MAY VARY UP TO 1/2"

CUSTOM DRAWING CHANGES:

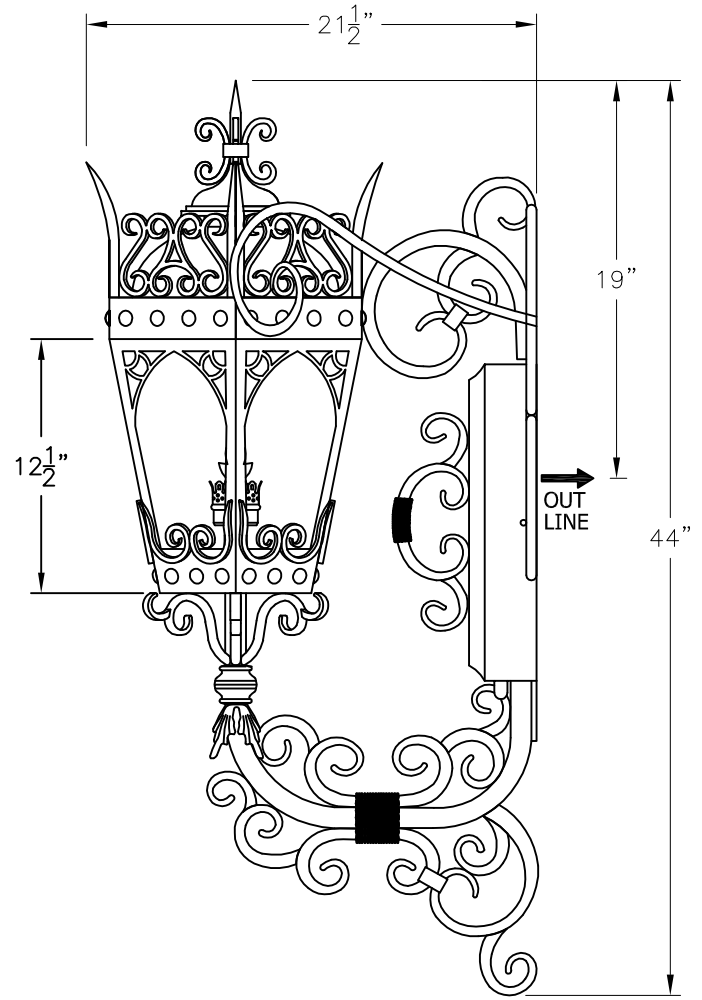
© 2010 SOLARA ENCHAINMENT
 UNAUTHORIZED USE OF THIS
 PLAN IS IN VIOLATION OF THE
 U.S. COPYRIGHT ACT TITLE 17
 OF THE U.S. CODE



DESIGN:	DRESDEN
LINE:	WALL MOUNT
FILE:	F-002-01SET-EG-S100-2
DATE REV:	11-OCT-10



FRONT VIEW



SIDE VIEW

MEDIUM
 F-002-022
 46" W x 44" H x 21 1/2" D

AVAILABLE IN
 GAS & ELECTRIC
 WITH EXCEPTION
 OF SMALL SIZE

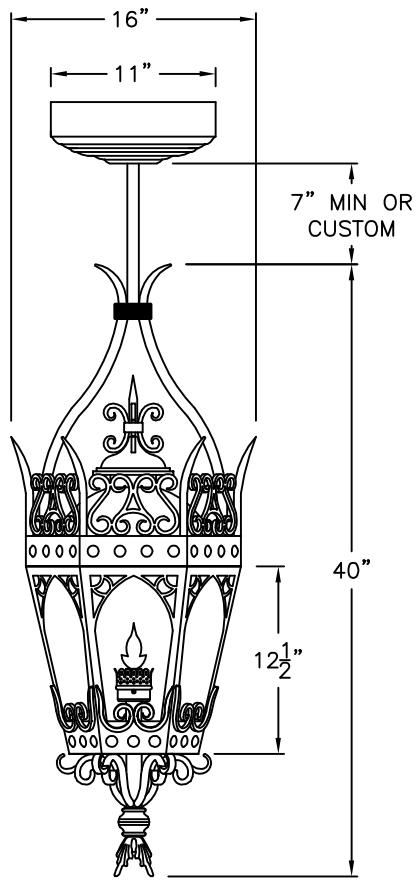
* ACTUAL DIMENSIONS MAY VARY UP TO 1/2"

CUSTOM DRAWING CHANGES:

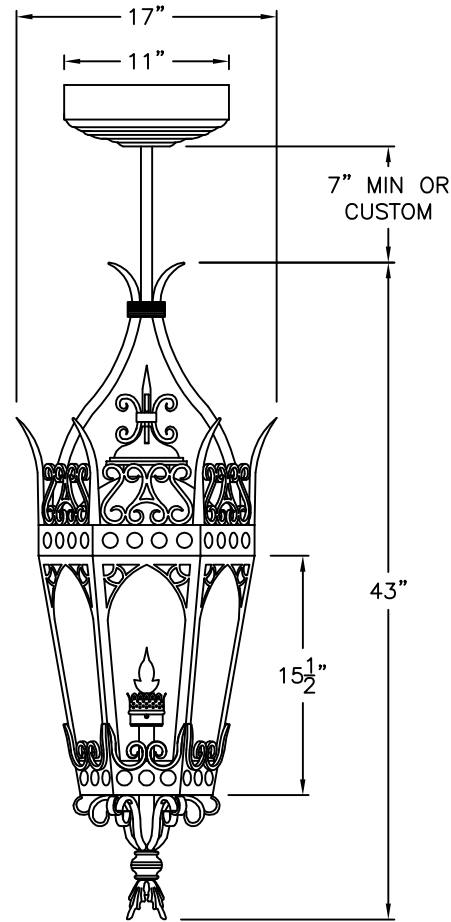
© 2010 SOLARA ENCHAINMENT
 UNAUTHORIZED USE OF THIS
 PLAN IS IN VIOLATION OF THE
 U.S. COPYRIGHT ACT TITLE 17
 OF THE U.S. CODE.



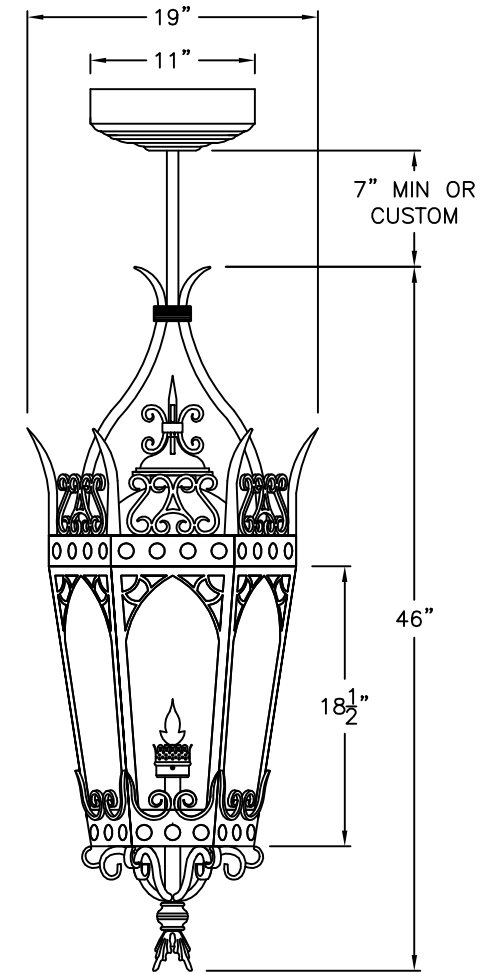
DESIGN:	DRESDEN
LINE:	CENTRAL MOUNT
FILE:	F-002-022-EG-S100-2
DATE REV:	18-OCT-10



MEDIUM
F-002-032
16" W x 40" H x 14" D



LARGE
F-002-033
17" W x 43" H x 14 1/2" D



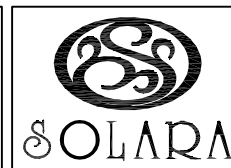
X-LARGE
F-002-034
19" W x 46" H x 16 1/2" D

AVAILABLE IN
GAS & ELECTRIC
WITH EXCEPTION
OF SMALL SIZE

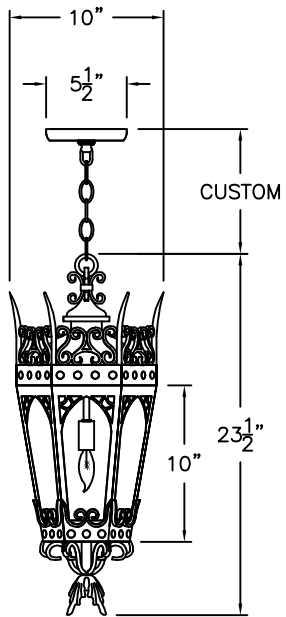
* ACTUAL DIMENSIONS MAY VARY UP TO 1/2"

CUSTOM DRAWING CHANGES:

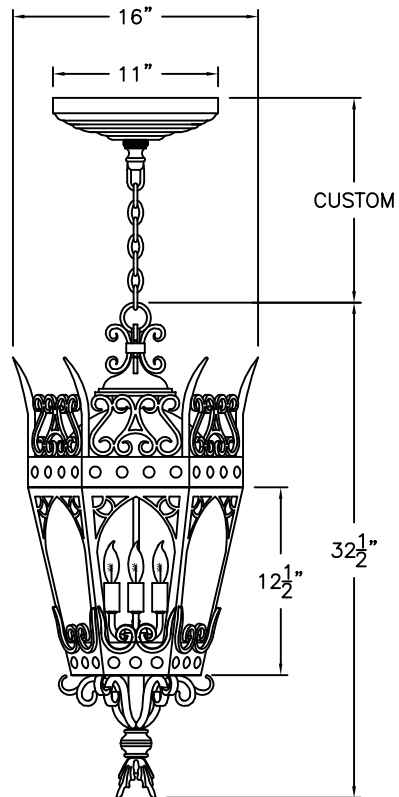
© 2010 SOLARA ENCHAINMENT
UNAUTHORIZED USE OF THIS
PLAN IS IN VIOLATION OF THE
U.S. COPYRIGHT ACT TITLE 17
OF THE U.S. CODE



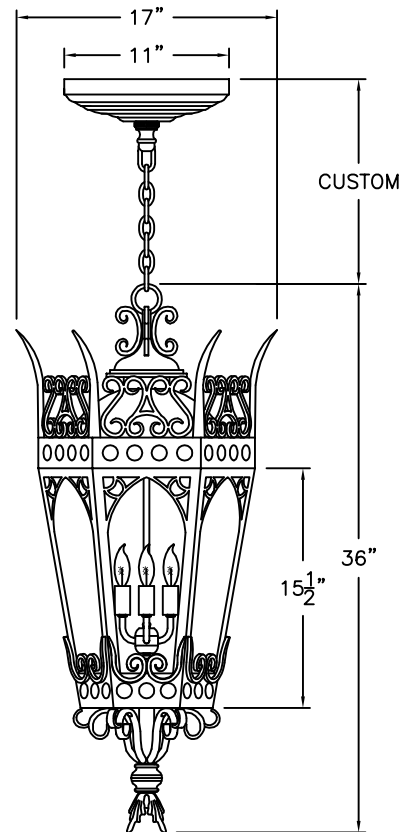
DESIGN:	DRESDEN
LINE:	PENDANT STEM
FILE:	F-002-03SET-EG-S100-2
DATE REV:	20-JUNE-11



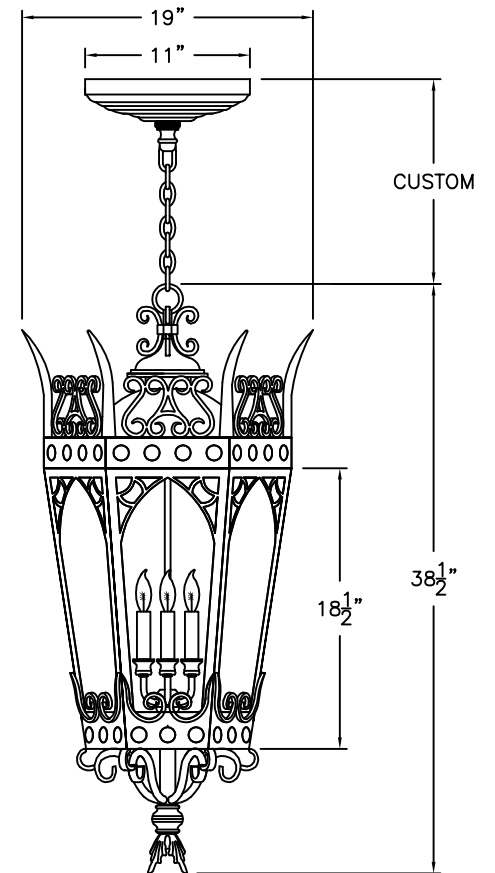
SMALL
F-002-041
10" W x 23 1/2" H x 8 1/2" D



MEDIUM
F-002-042
16" W x 32 1/2" H x 14" D



LARGE
F-002-043
17" W x 36" H x 14 1/2" D



X-LARGE
F-002-044
19" W x 38 1/2" H x 16 1/2" D

ONLY AVAILABLE
IN ELECTRIC

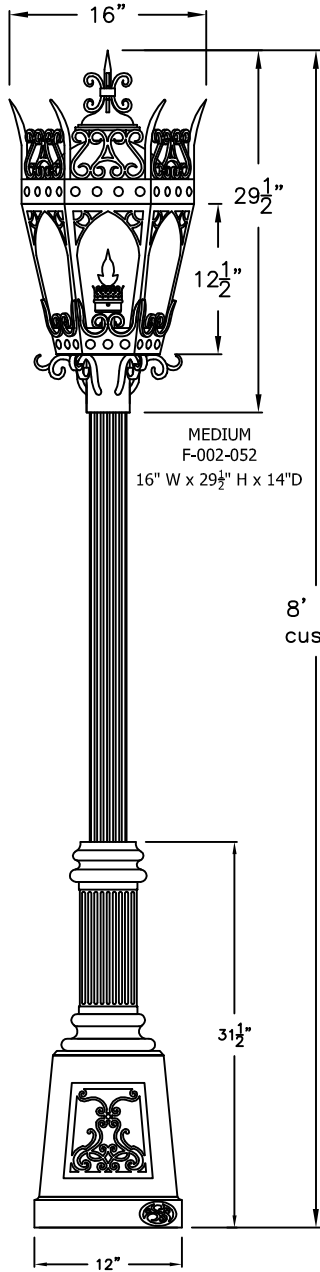
* ACTUAL DIMENSIONS MAY VARY UP TO 1/2"

CUSTOM DRAWING CHANGES:

© 2010 SOLARA ENCHAINMENT
UNAUTHORIZED USE OF THIS
PLAN IS IN VIOLATION OF THE
U.S. COPYRIGHT ACT TITLE 17
OF THE U.S. CODE



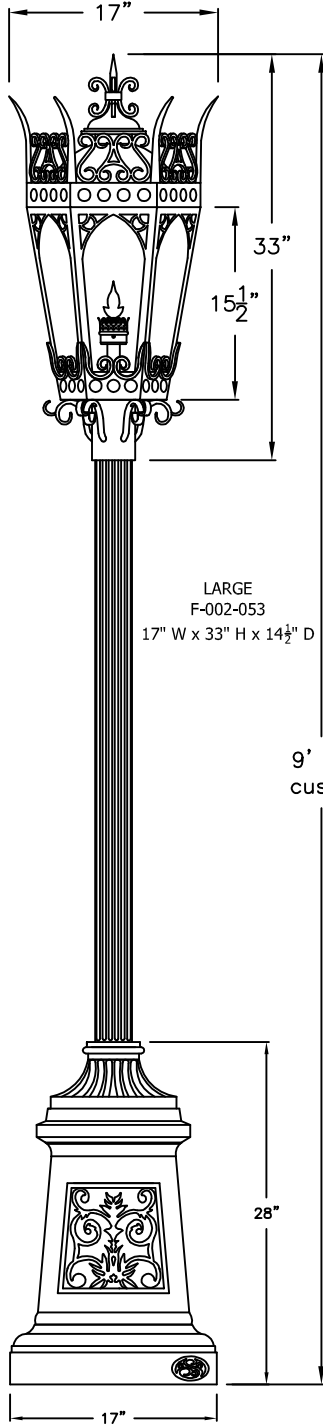
DESIGN:	DRESDEN
LINE:	PENDANT CHAIN
FILE:	F-002-04SET-EL-S100-2
DATE REV:	20-JUNE-11



MEDIUM
F-002-052
16" W x 29½" H x 14"D

8' or
custom

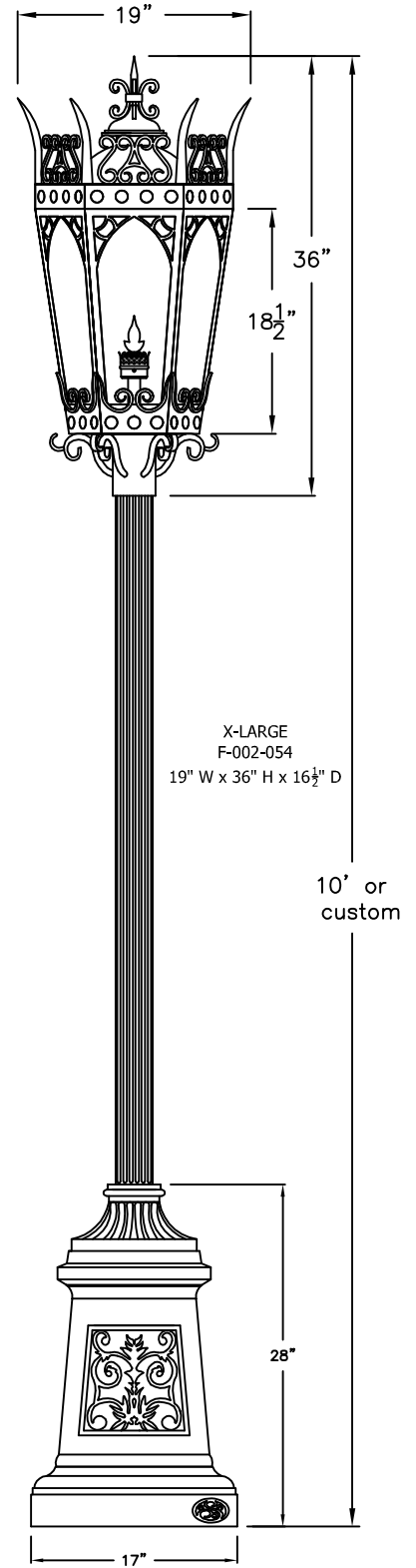
SOLARA BASE



LARGE
F-002-053
17" W x 33" H x 14½" D

9' or
custom

MUNICH BASE



X-LARGE
F-002-054
19" W x 36" H x 16½" D

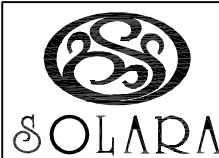
10' or
custom

AVAILABLE IN
GAS & ELECTRIC
WITH EXCEPTION
OF SMALL SIZE

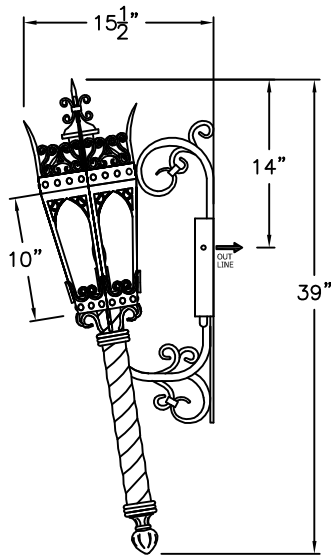
* POST ARE SOLD SEPARATELY
* ACTUAL DIMENSIONS MAY VARY UP TO 1/2"

CUSTOM DRAWING CHANGES:

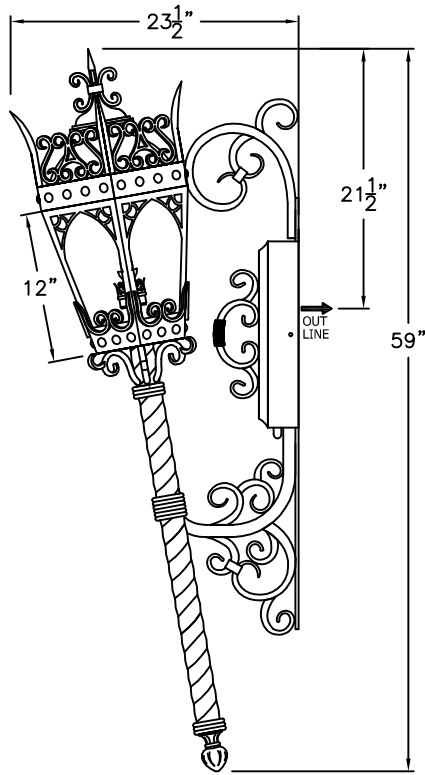
© 2010 SOLARA ENCHAINMENT
UNAUTHORIZED USE OF THIS
PLAN IS IN VIOLATION OF THE
U.S. COPYRIGHT ACT TITLE 17
OF THE U.S. CODE



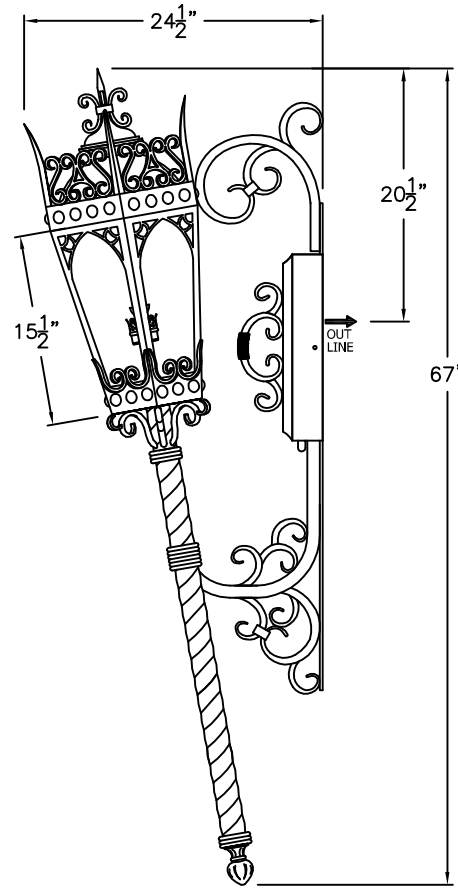
DESIGN: DRESDEN
LINE: POST MOUNT
FILE: F-002-05SET-EG-S100-2
DATE REV: 20-JUNE-11



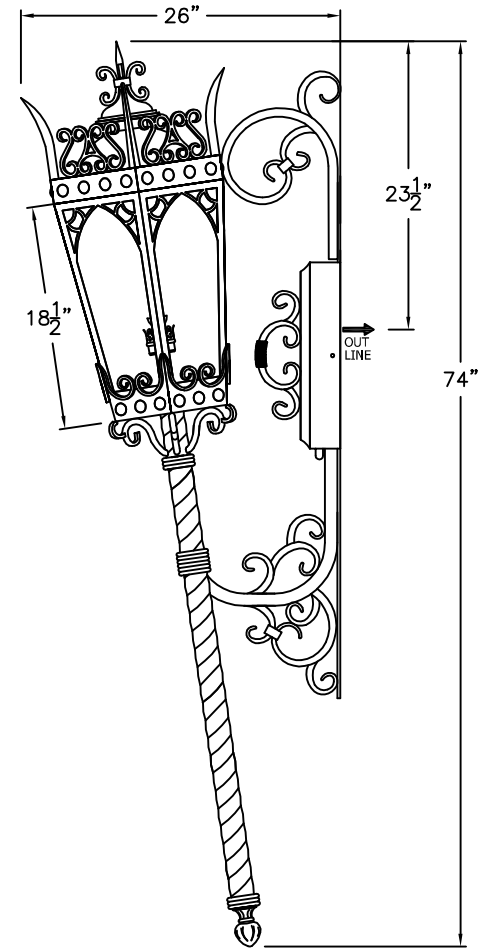
SMALL
F-002-081
10" W x 39" H x 15 1/2" D



MEDIUM
F-002-082
16" W x 59" H x 23 1/2" D



LARGE
F-002-083
17" W x 67" H x 24 1/2" D



X-LARGE
F-002-084
19" W x 74" H x 26" D

AVAILABLE IN
GAS & ELECTRIC
WITH EXCEPTION
OF SMALL SIZE

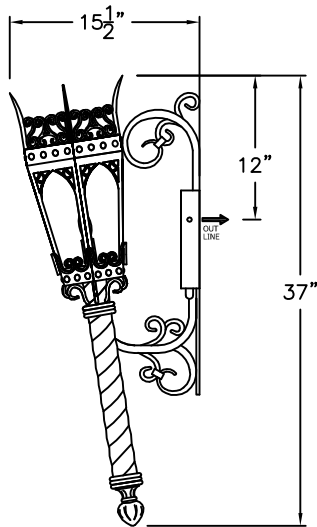
* ACTUAL DIMENSIONS MAY VARY UP TO 1/2"

CUSTOM DRAWING CHANGES:

© 2010 SOLARA ENCHAINMENT
UNAUTHORIZED USE OF THIS
PLAN IS IN VIOLATION OF THE
U.S. COPYRIGHT ACT TITLE 17
OF THE U.S. CODE

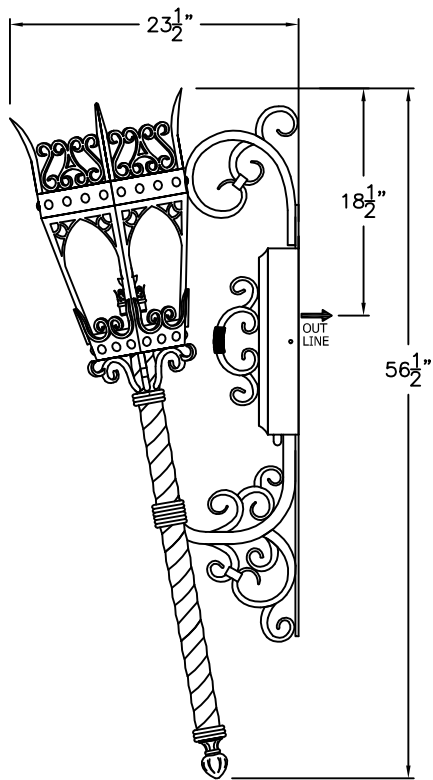


DESIGN:	DRESDEN
LINE:	TORCH MOUNT
FILE:	F-002-08SET-EG-S100-2
DATE REV:	11-OCT-10



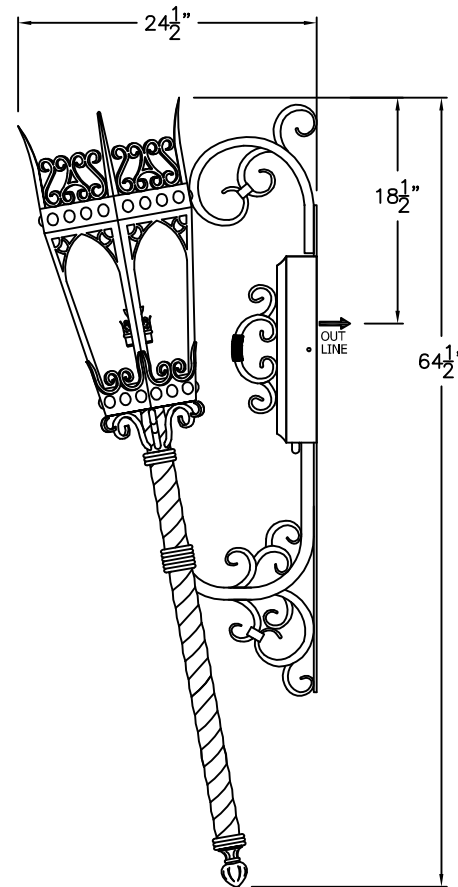
SMALL
F-002-091

10" W x 37" H x 15 1/2" D



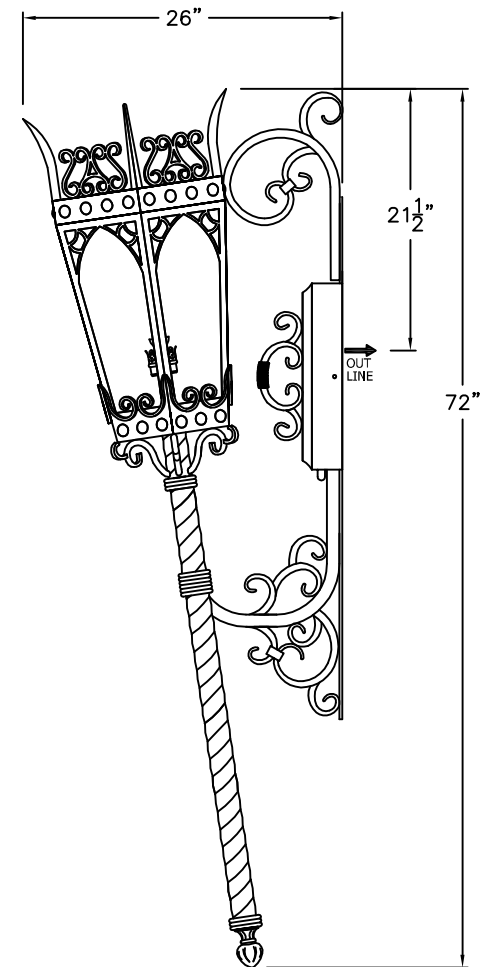
MEDIUM
F-002-092

16" W x 56 1/2" H x 23 1/2" D



LARGE
F-002-093

17" W x 64 1/2" H x 24 1/2" D



X-LARGE
F-002-094

19" W x 72" H x 26" D

AVAILABLE IN
GAS & ELECTRIC
WITH EXCEPTION
OF SMALL SIZE

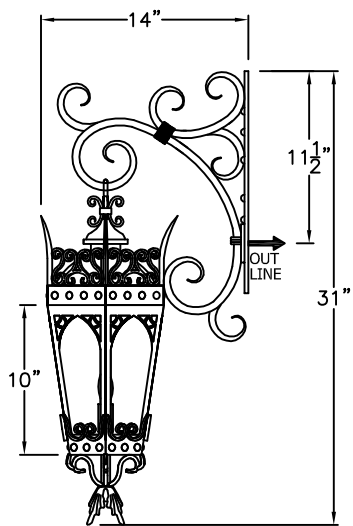
* ACTUAL DIMENSIONS MAY VARY UP TO 1/2"

CUSTOM DRAWING CHANGES:

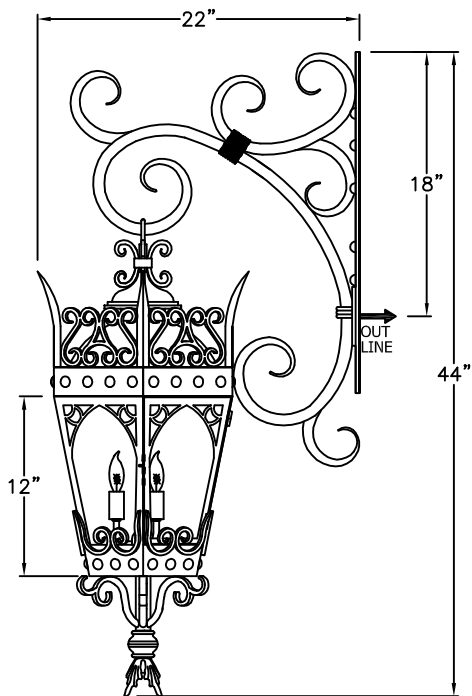
© 2010 SOLARA ENCHAINMENT
UNAUTHORIZED USE OF THIS
PLAN IS IN VIOLATION OF THE
U.S. COPYRIGHT ACT TITLE 17
OF THE U.S. CODE



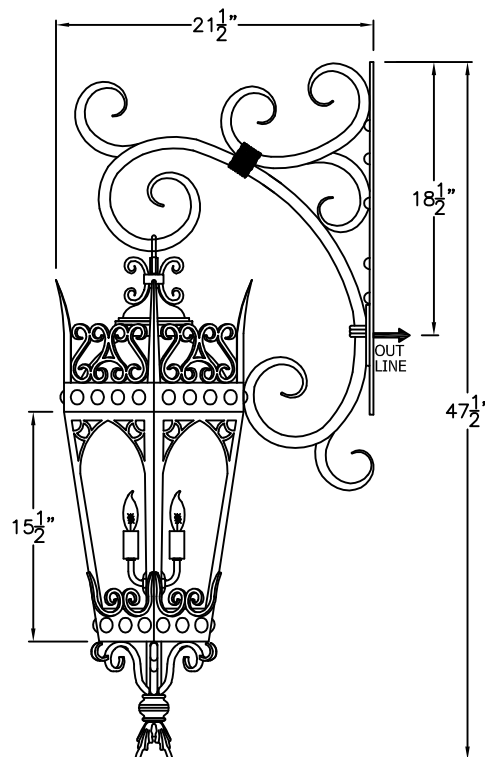
DESIGN:	DRESDEN
LINE:	TORCH MOUNT
FILE:	F-002-09SET-EG-S100-2
DATE REV:	11-OCT-10



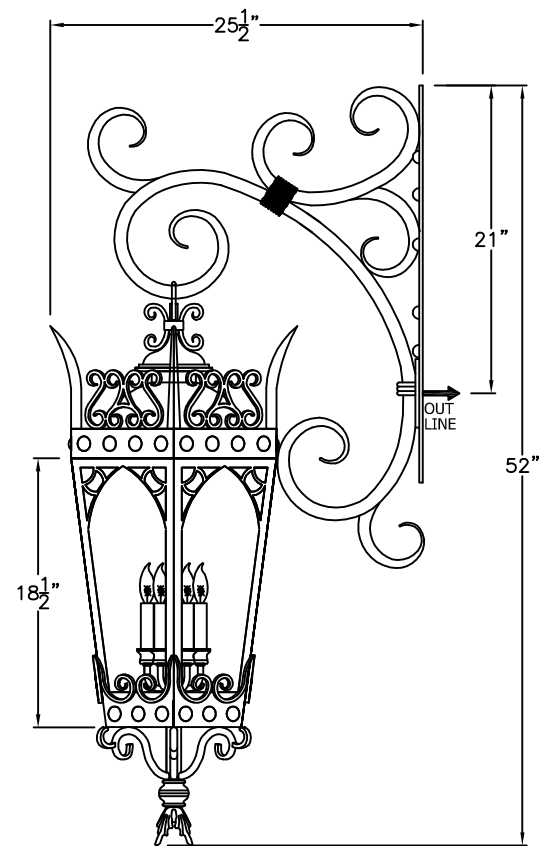
SMALL
F-002-101
10" W x 31" H x 14" D



MEDIUM
F-002-102
16" W x 44" H x 22" D



LARGE
F-002-103
17" W x 47 1/2" H x 21 1/2" D



X-LARGE
F-002-104
19" W x 52" H x 25 1/2" D

ONLY AVAILABLE
IN ELECTRIC

* ACTUAL DIMENSIONS MAY VARY UP TO 1/2"

CUSTOM DRAWING CHANGES:

© 2011 SOLARA ENCHAINMENT
UNAUTHORIZED USE OF THIS
PLAN IS IN VIOLATION OF THE
U.S. COPYRIGHT ACT TITLE 17
OF THE U.S. CODE



DESIGN:	DRESDEN
LINE:	HANGING MOUNT
FILE:	F-002-10SET-EL-S100-2
DATE REV:	01-FEB-11