



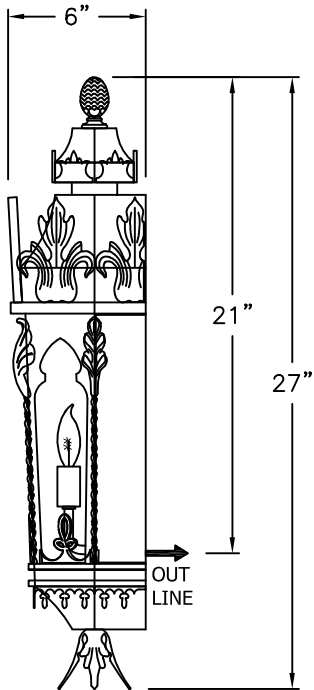
SOLARA

Iron Doors & Lighting

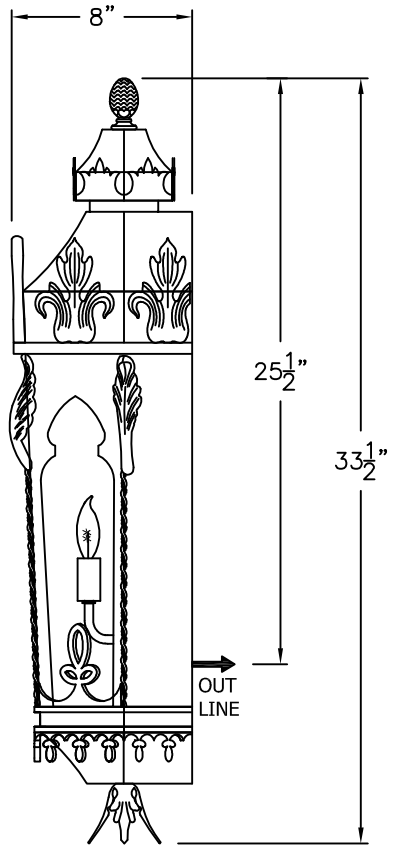


Florence - F004

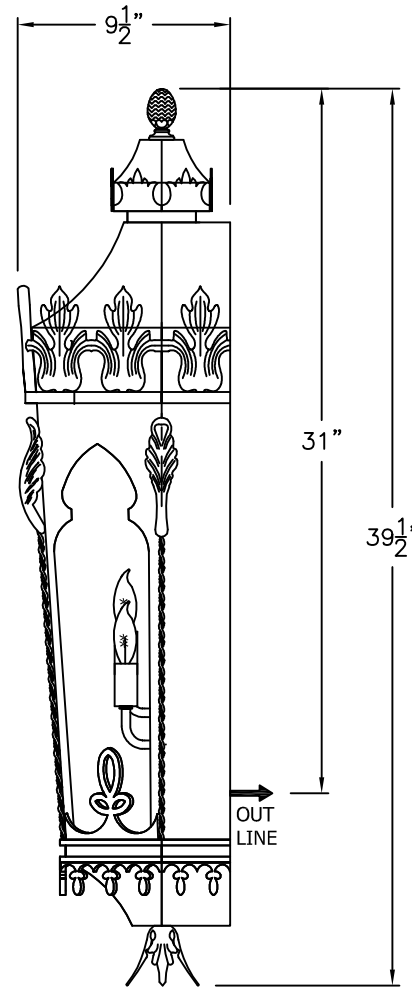




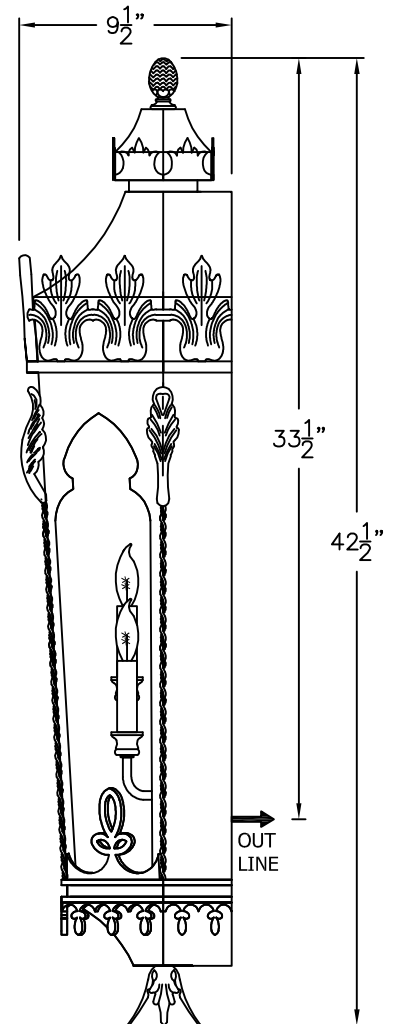
SMALL
F-004-001
8 1/2" W x 27" H x 6" D



MEDIUM
F-004-002
11 1/2" W x 33 1/2" H x 8" D



LARGE
F-004-003
14" W x 39 1/2" H x 9 1/2" D



XLARGE
F-004-004
14" W x 42 1/2" H x 9 1/2" D

ONLY AVAILABLE
IN ELECTRIC

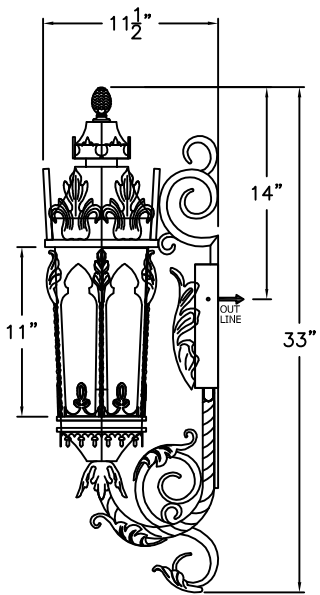
* ACTUAL DIMENSIONS MAY VARY UP TO 1/2"

CUSTOM DRAWING CHANGES:

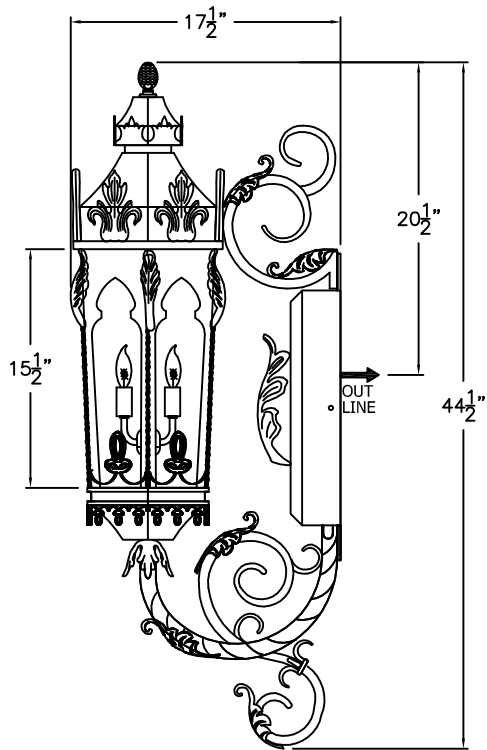
© 2011 SOLARA ENCHAINMENT
UNAUTHORIZED USE OF THIS
PLAN IS IN VIOLATION OF THE
U.S. COPYRIGHT ACT TITLE 17
OF THE U.S. CODE.



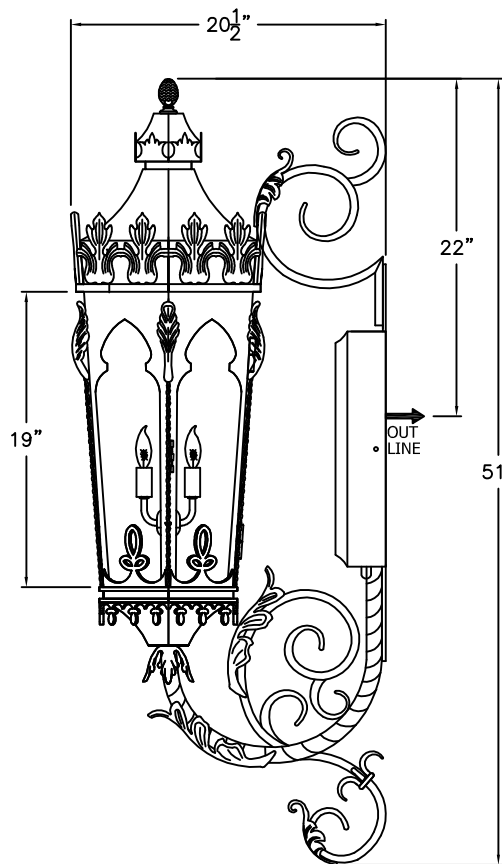
DESIGN:	FLORENCE
LINE:	SCONCE MOUNT
FILE:	F-004-00SET-EL-S100-3
DATE REV:	01-FEB-11



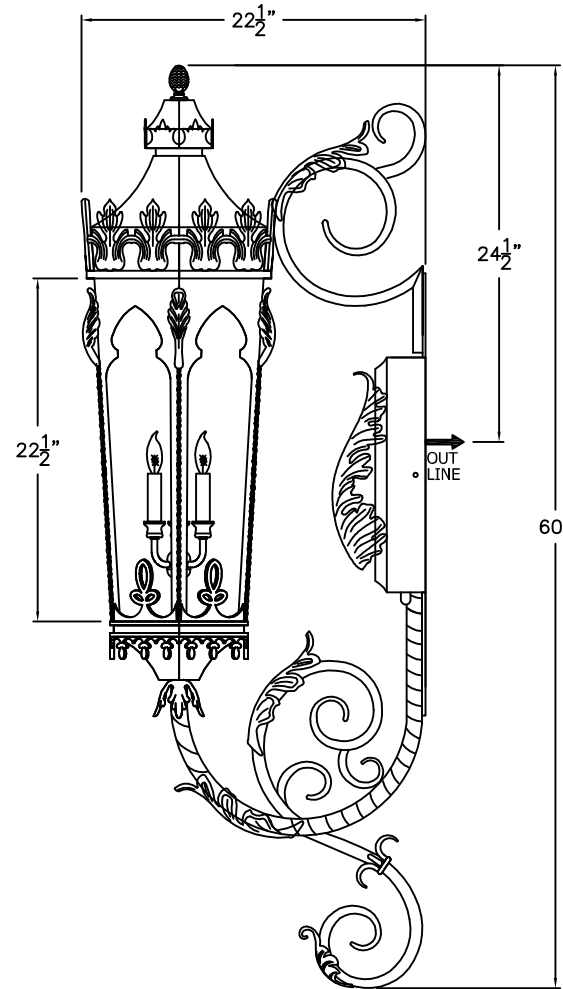
SMALL
F-004-011
8 1/2" W x 33" H x 11 1/2" D



MEDIUM
F-004-012
11 1/2" W x 44 1/2" H x 17 1/2" D



LARGE
F-004-013
14" W x 51" H x 20 1/2" D



XLARGE
F-004-014
14" W x 60" H x 22 1/2" D

AVAILABLE IN
GAS & ELECTRIC
WITH EXCEPTION
OF SMALL SIZE

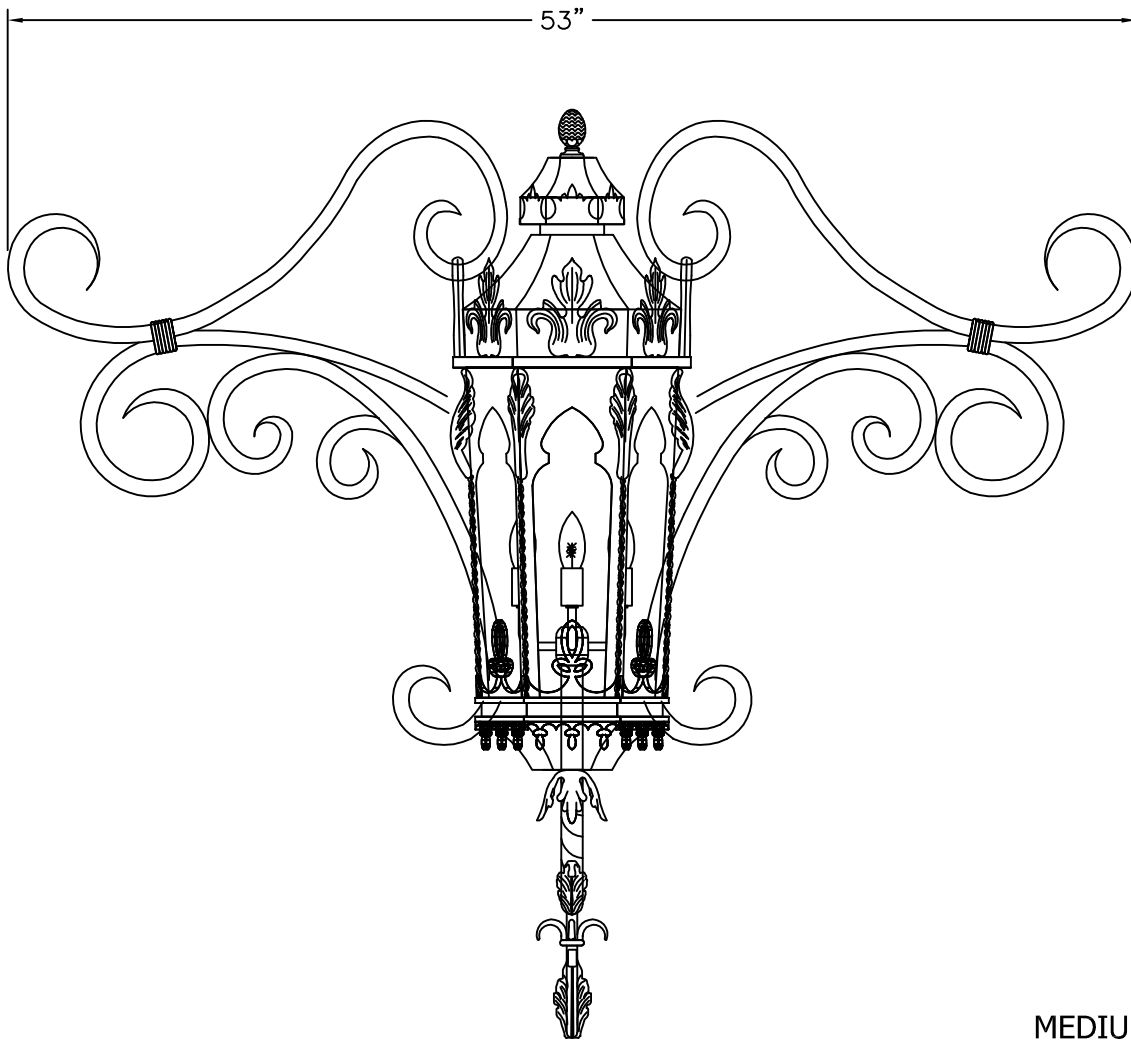
* ACTUAL DIMENSIONS MAY VARY UP TO 1/2"

CUSTOM DRAWING CHANGES:

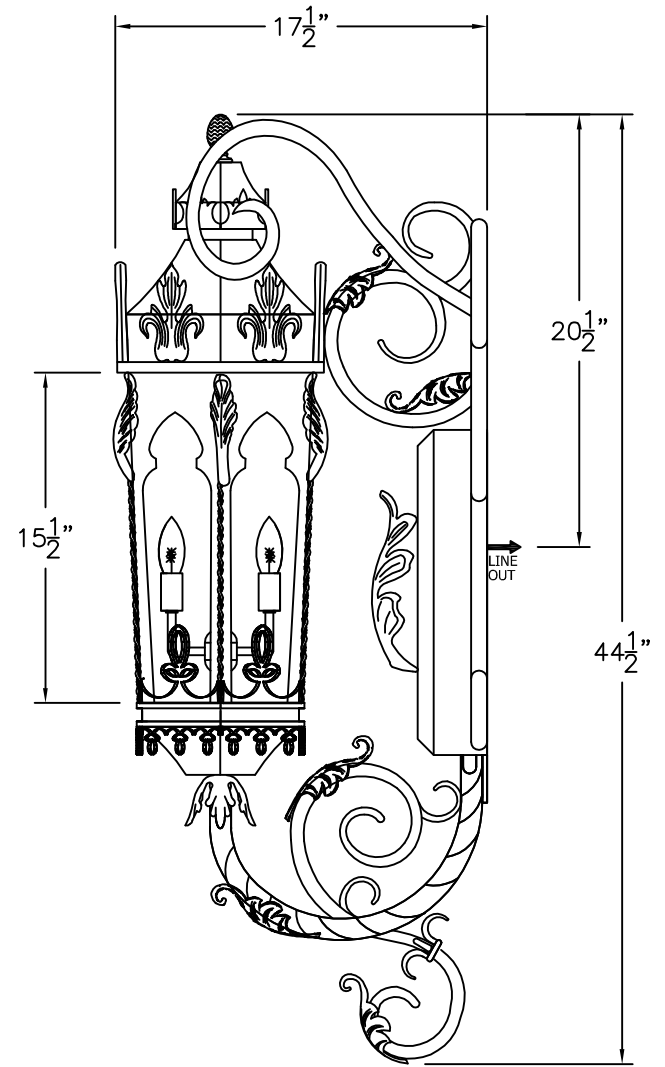
© 2010 SOLARA ENCHAINMENT
UNAUTHORIZED USE OF THIS
PLAN IS IN VIOLATION OF THE
U.S. COPYRIGHT ACT TITLE 17
OF THE U.S. CODE.



DESIGN:	FLORENCE
LINE:	WALL MOUNT
FILE:	F-004-01SET-EL-S100-1
DATE REV :	07-OCT-10



FRONT VIEW



SIDE VIEW

MEDIUM
 F-004-022
 53" W x 44 1/2" H x 17 1/2" D

AVAILABLE IN
 GAS & ELECTRIC
 WITH EXCEPTION
 OF SMALL SIZE

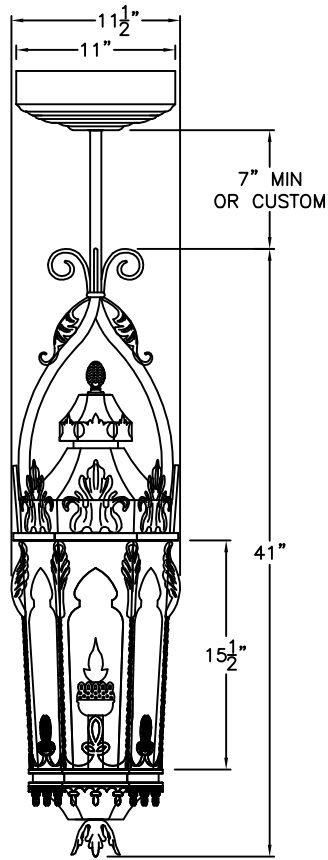
* ACTUAL DIMENSIONS MAY VARY UP TO 1/2"

CUSTOM DRAWING CHANGES:

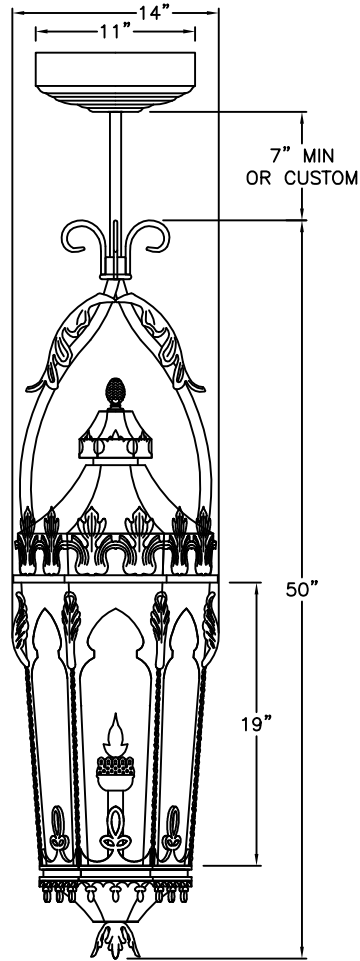
© 2010 SOLARA ENCHAINMENT
 UNAUTHORIZED USE OF THIS
 PLAN IS IN VIOLATION OF THE
 U.S. COPYRIGHT ACT TITLE 17
 OF THE U.S. CODE.



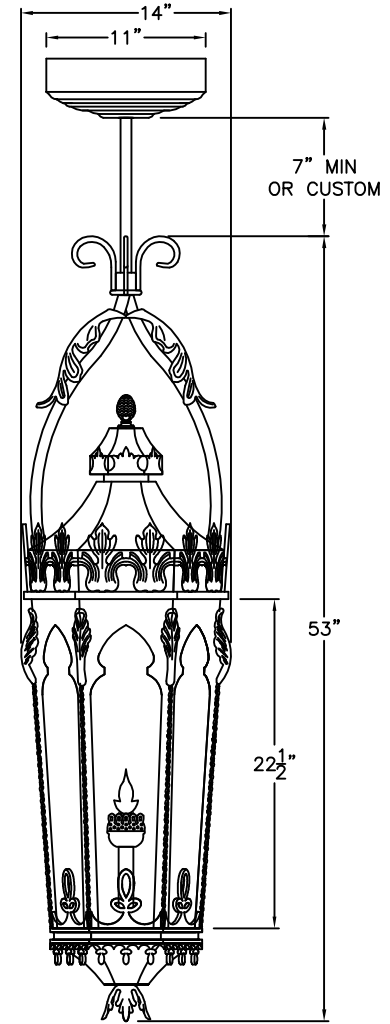
DESIGN:	FLORENCE
LINE:	CENTRAL MOUNT
FILE:	F-004-022-EL-S100-2
DATE REV:	07-OCT-10



MEDIUM
F-004-032
11 1/2" W x 41" H x 10" D



LARGE
F-004-033
14" W x 50" H x 12" D



XLARGE
F-004-034
14" W x 53" H x 12" D

AVAILABLE IN
GAS & ELECTRIC
WITH EXCEPTION
OF SMALL SIZE

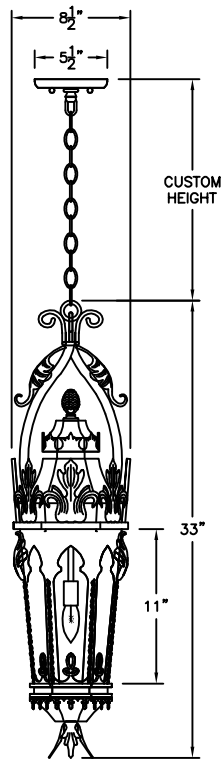
* ACTUAL DIMENSIONS MAY VARY UP TO 1/2"

CUSTOM DRAWING CHANGES:

© 2011 SOLARA ENCHAINMENT
UNAUTHORIZED USE OF THIS
PLAN IS IN VIOLATION OF THE
U.S. COPYRIGHT ACT TITLE 17
OF THE U.S. CODE.

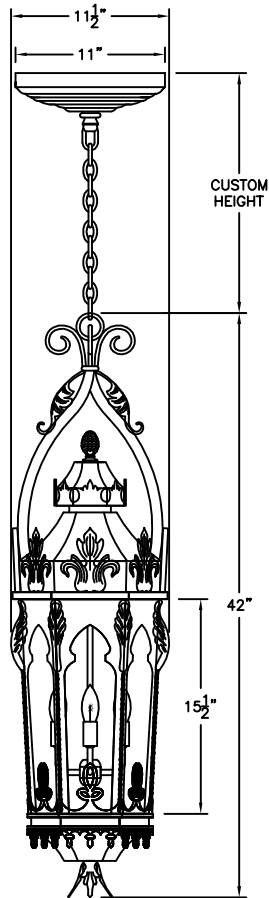


DESIGN:	FLORENCE
LINE:	PENDANT STEM
FILE:	F-004-03SET-EG-S100-2
DATE REV:	20-JUNE-11



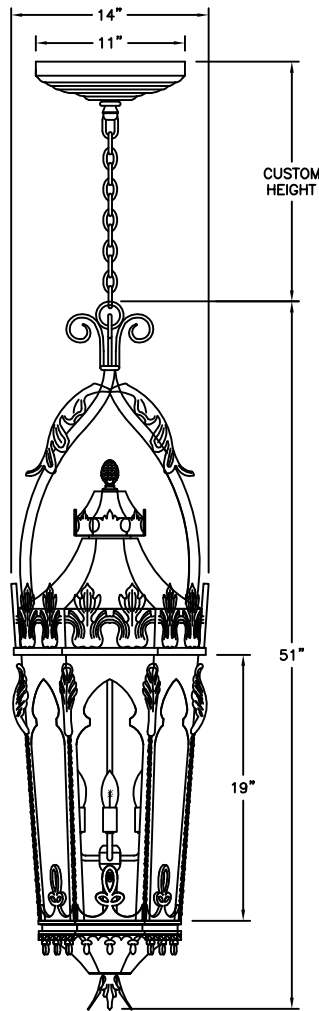
SMALL
F-004-041

8 1/2" W x 33" H x 7 1/2" D



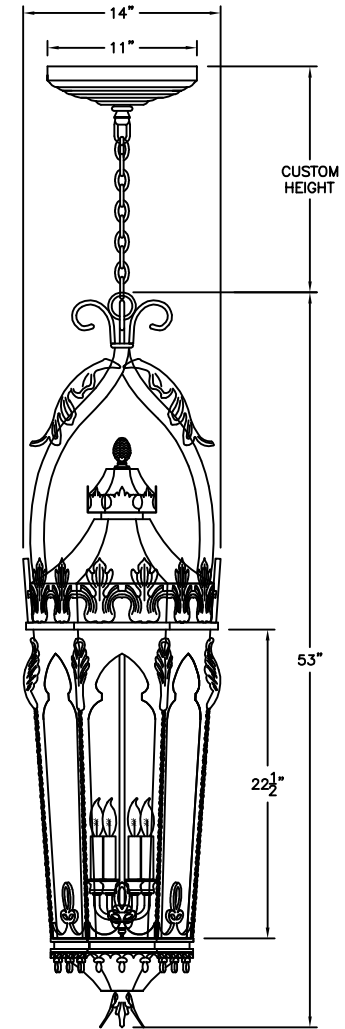
MEDIUM
F-004-042

11 1/2" W x 42" H x 10" D



LARGE
F-004-043

14" W x 51" H x 12" D



X-LARGE
F-004-044

14" W x 53" H x 12" D

ONLY AVAILABLE
IN ELECTRIC

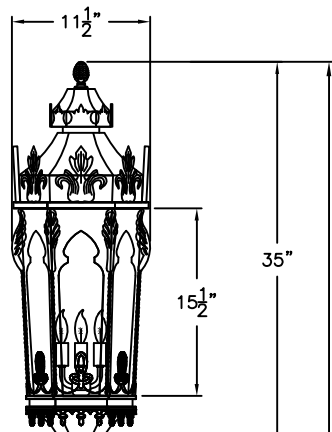
* ACTUAL DIMENSIONS MAY VARY UP TO 1/2"

CUSTOM DRAWING CHANGES:

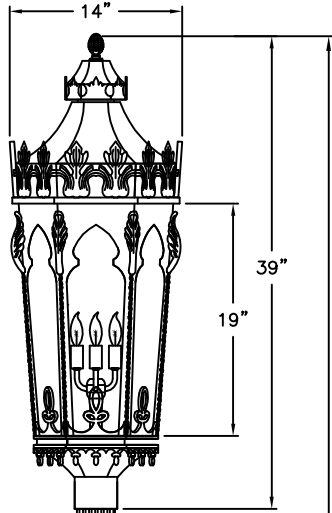
© 2011 SOLARA ENCHAINMENT
UNAUTHORIZED USE OF THIS
PLAN IS IN VIOLATION OF THE
U.S. COPYRIGHT ACT TITLE 17
OF THE U.S. CODE



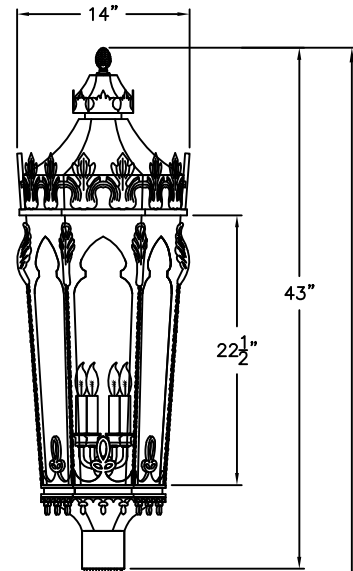
DESIGN:	FLORENCE
LINE:	PENDANT CHAIN
FILE:	F-004-04SET-EL-S100-2
DATE REV:	08-OCT-10



MEDIUM
F-004-052
11 1/2" W x 35" H x 10" D



LARGE
F-004-053
14" W x 39" H x 12" D

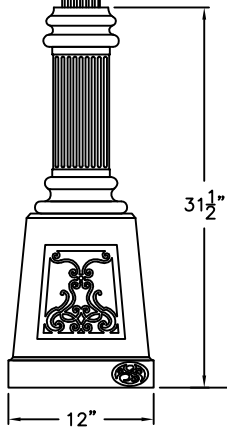


XLARGE
F-004-054
14" W x 43" H x 12" D

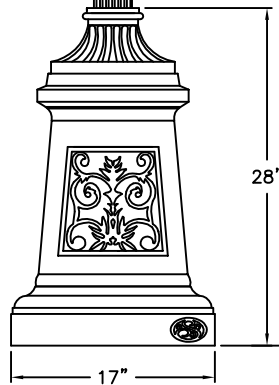
8' MIN or
Custom

8' MIN or
Custom

8' MIN or
Custom



SOLARA BASE



MUNICH BASE

AVAILABLE IN
GAS & ELECTRIC
WITH EXCEPTION
OF SMALL SIZE

* POST ARE SOLD SEPARATELY
* ACTUAL DIMENSIONS MAY VARY UP TO 1/2"

CUSTOM DRAWING CHANGES:

© 2011 SOLARA ENCHAINMENT
UNAUTHORIZED USE OF THIS
PLAN IS IN VIOLATION OF THE
U.S. COPYRIGHT ACT TITLE 17
OF THE U.S. CODE

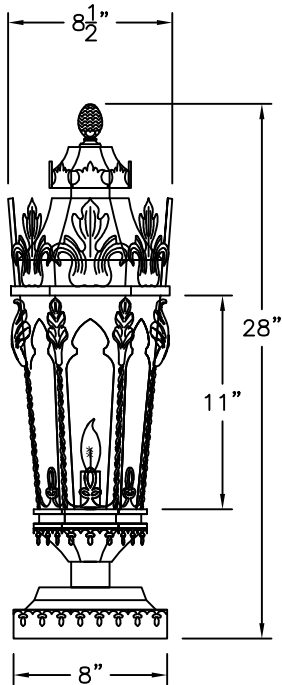


DESIGN: FLORENCE

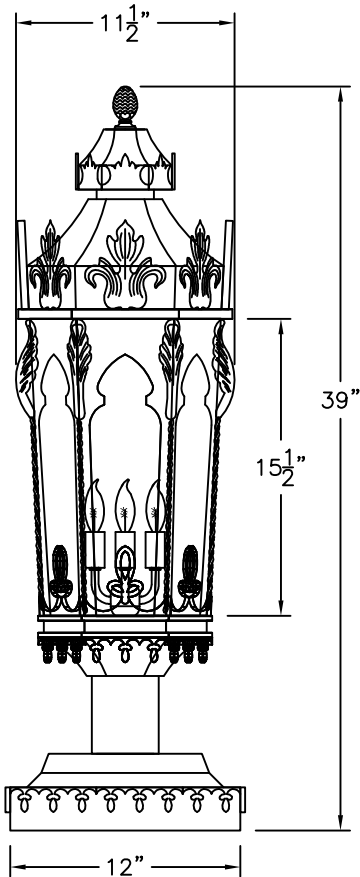
LINE: POST MOUNT

FILE: F-004-05SET-EL-S100-1

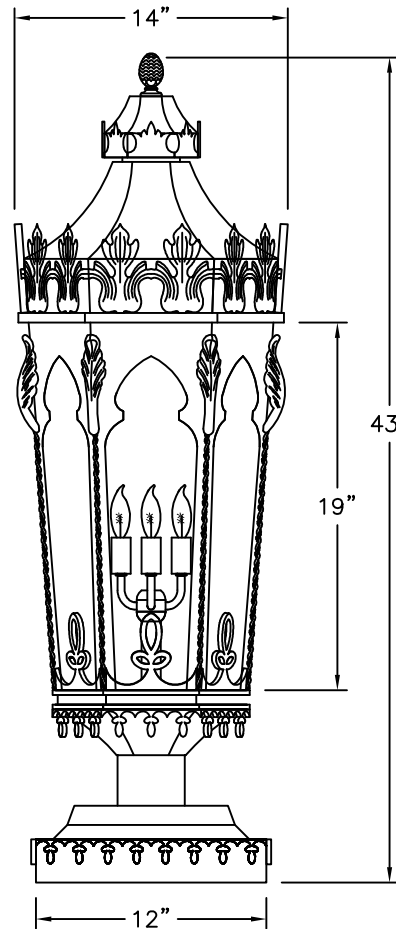
DATE REV: 20-JUNE-11



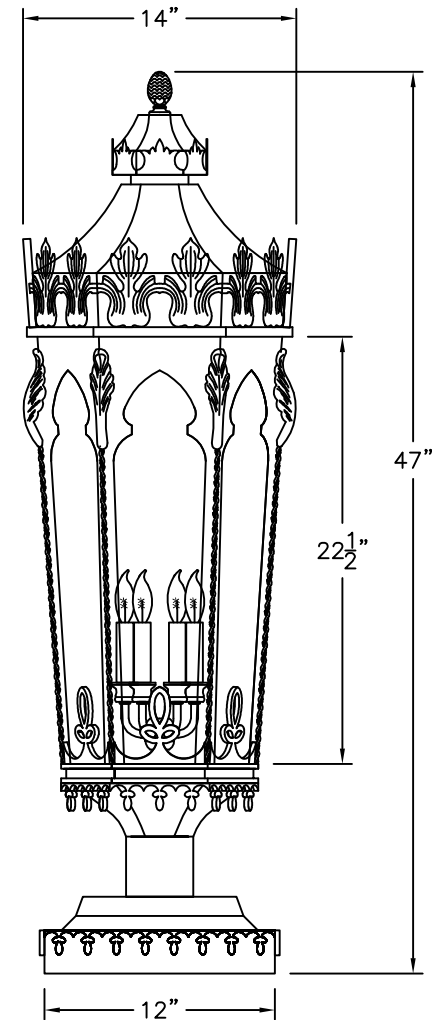
SMALL
F-004-061
8 1/2" W x 28" H x 8" D



MEDIUM
F-004-062
11 1/2" W x 39" H x 12" D



LARGE
F-004-063
14" W x 43" H x 12" D



XLARGE
F-004-064
14" W x 47" H x 12" D

AVAILABLE IN
GAS & ELECTRIC
WITH EXCEPTION
OF SMALL SIZE

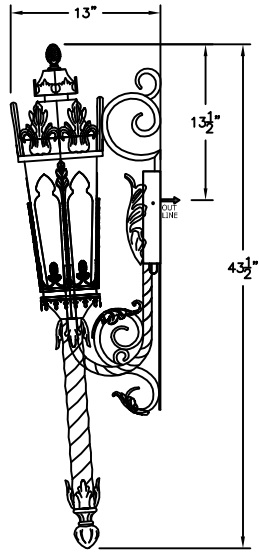
* ACTUAL DIMENSIONS MAY VARY UP TO 1/2"

CUSTOM DRAWING CHANGES:

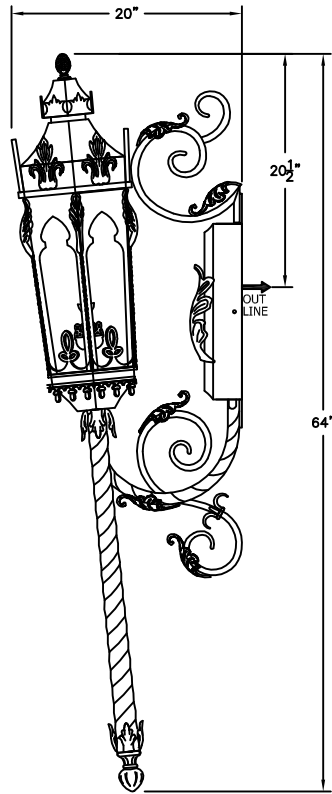
© 2011 SOLARA ENCHAINMENT
UNAUTHORIZED USE OF THIS
PLAN IS IN VIOLATION OF THE
U.S. COPYRIGHT ACT TITLE 17
OF THE U.S. CODE.



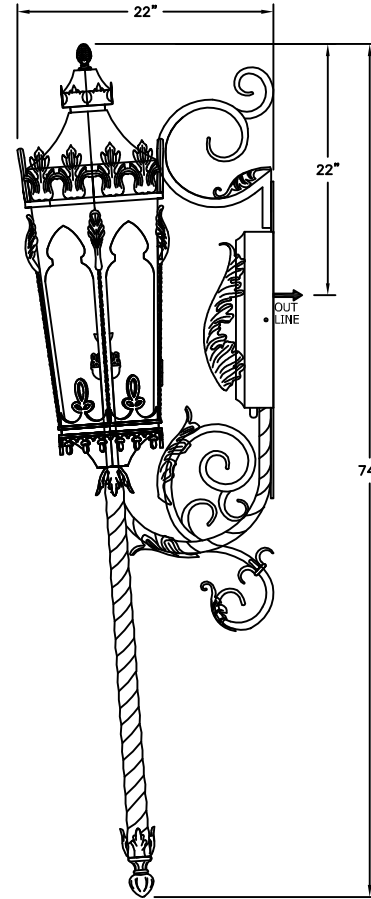
DESIGN:	FLORENCE
LINE:	PIER MOUNT
FILE:	F-004-06SET-EL-S100-1
DATE REV:	07-OCT-10



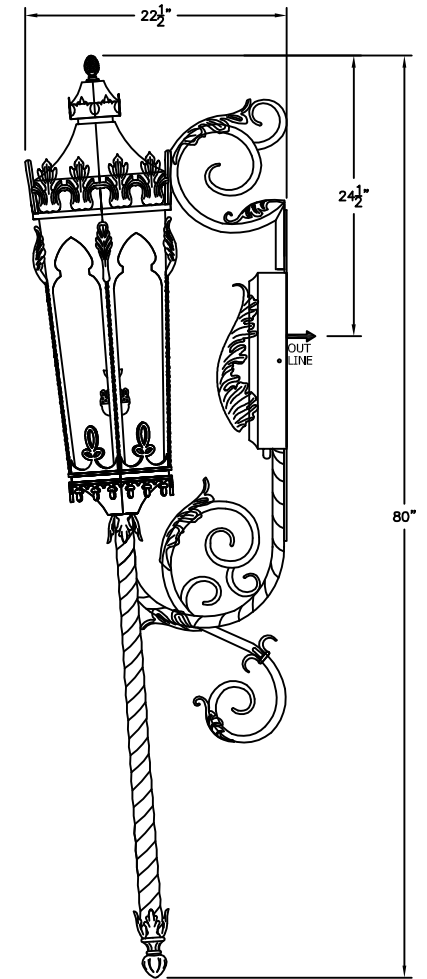
SMALL
F-004-081
 8 1/2" W x 43 1/2" H x 13" D



MEDIUM
F-004-082
 11 1/2" W x 64" H x 20" D



LARGE
F-004-083
 14" W x 74" H x 22" D



X-LARGE
F-004-084
 14" W x 80" H x 22 1/2" D

AVAILABLE IN
 GAS & ELECTRIC
 WITH EXCEPTION
 OF SMALL SIZE

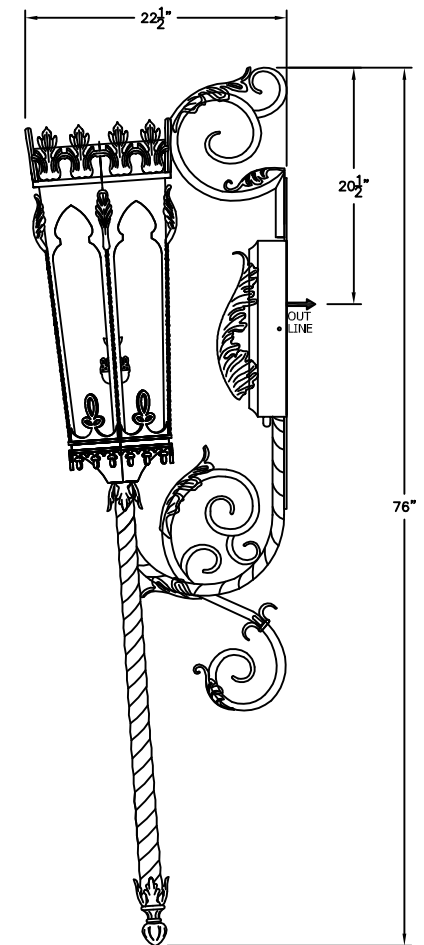
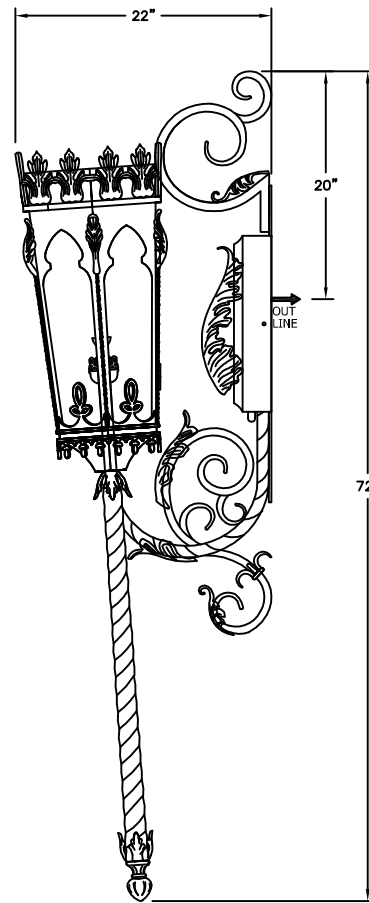
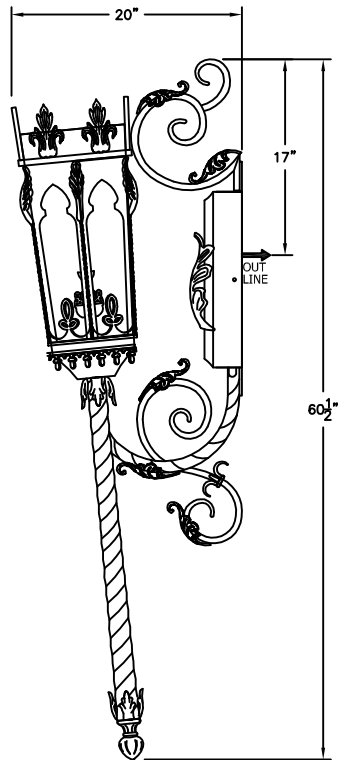
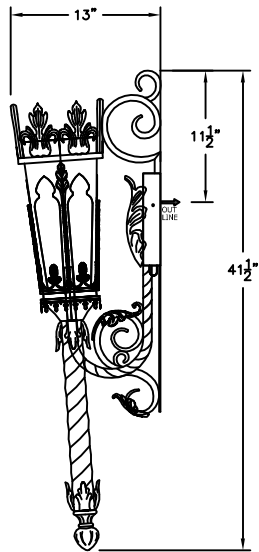
* ACTUAL DIMENSIONS MAY VARY UP TO 1/2"

CUSTOM DRAWING CHANGES:

© 2010 SOLARA ENCHAINMENT
 UNAUTHORIZED USE OF THIS
 PLAN IS IN VIOLATION OF THE
 U.S. COPYRIGHT ACT TITLE 17
 OF THE U.S. CODE



DESIGN:	FLORENCE
LINE:	TORCH MOUNT
FILE:	F-004-08SET-EG-S100-2
DATE REV:	08-OCT-10



SMALL
F-004-091
 8 1/2" W x 41 1/2" H x 13" D

MEDIUM
F-004-092
 11 1/2" W x 60 1/2" H x 20" D

LARGE
F-004-093
 14" W x 72" H x 22" D

X-LARGE
F-004-094
 14" W x 76" H x 22 1/2" D

AVAILABLE IN
 GAS & ELECTRIC
 WITH EXCEPTION
 OF SMALL SIZE

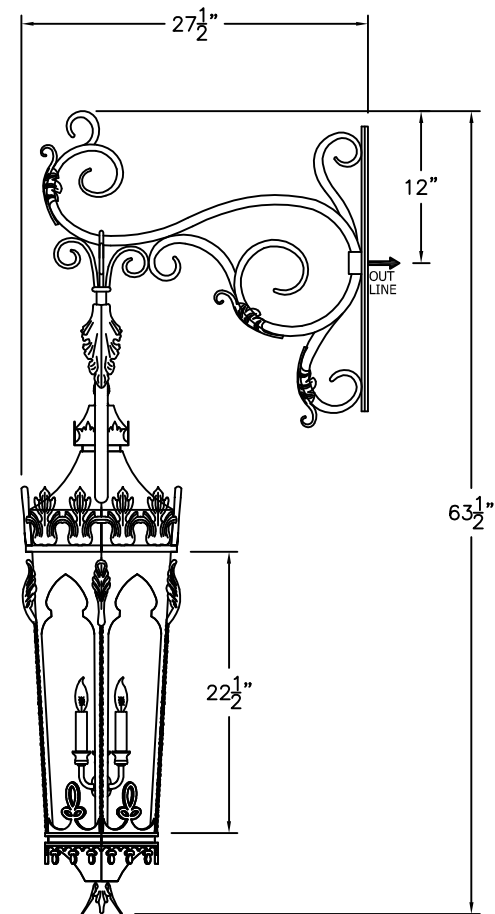
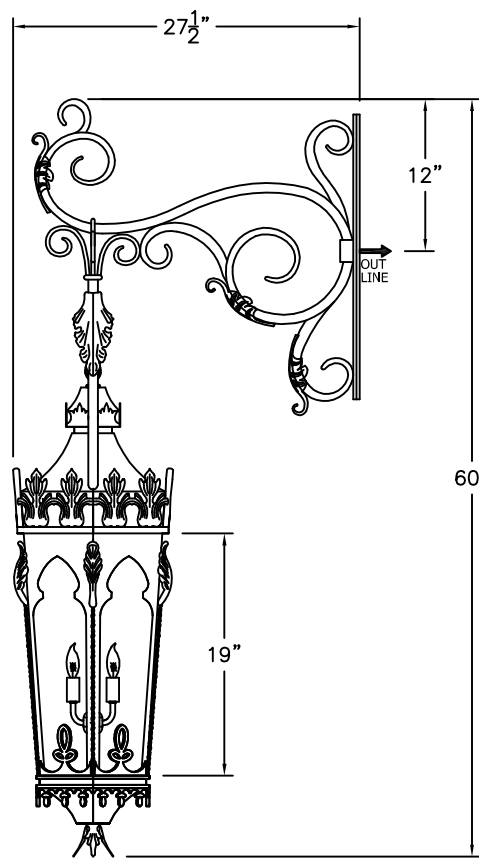
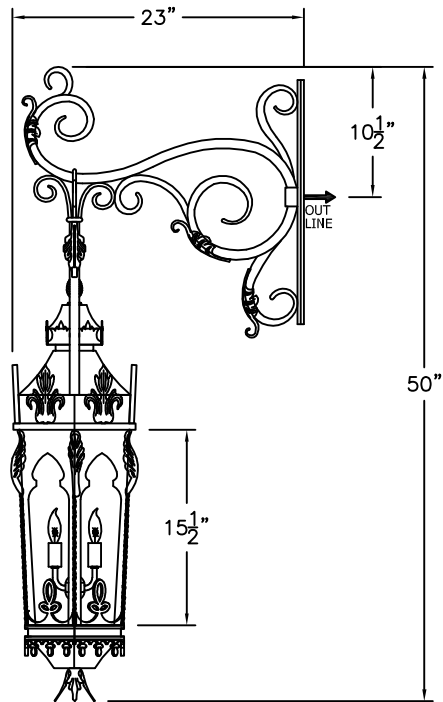
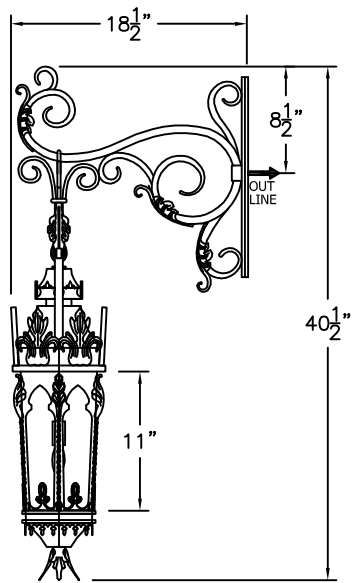
* ACTUAL DIMENSIONS MAY VARY UP TO 1/2"

CUSTOM DRAWING CHANGES:

© 2010 SOLARA ENCHAINMENT
 UNAUTHORIZED USE OF THIS
 PLAN IS IN VIOLATION OF THE
 U.S. COPYRIGHT ACT TITLE 17
 OF THE U.S. CODE



DESIGN:	FLORENCE
LINE:	TORCH MOUNT
FILE:	F-004-09SET-EG-S100-2
DATE REV :	18-NOV-10



SMALL
F-004-101

8 1/2" W X 40 1/2" H X 18 1/2" D

MEDIUM
F-004-102

11 1/2" W X 50" H X 23" D

LARGE
F-004-103

14" W X 60" H X 27 1/2" D

X-LARGE
F-004-103

14" W X 63 1/2" H X 27 1/2" D

ONLY AVAILABLE
IN ELECTRIC

* ACTUAL DIMENSIONS MAY VARY UP TO 1/2"

CUSTOM DRAWING CHANGES:

© 2011 SOLARA ENCHAINMENT
UNAUTHORIZED USE OF THIS
PLAN IS IN VIOLATION OF THE
U.S. COPYRIGHT ACT TITLE 17
OF THE U.S. CODE.



DESIGN:	FLORENCE
LINE:	HANGING MOUNT
FILE:	F-004-10SET-EL-S100-1
DATE REV:	02-FEB-11