



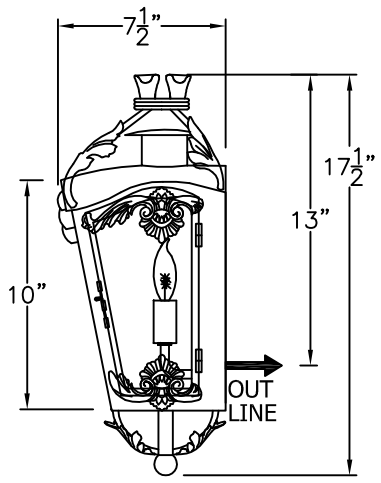
SOLARA

Iron Doors & Lighting

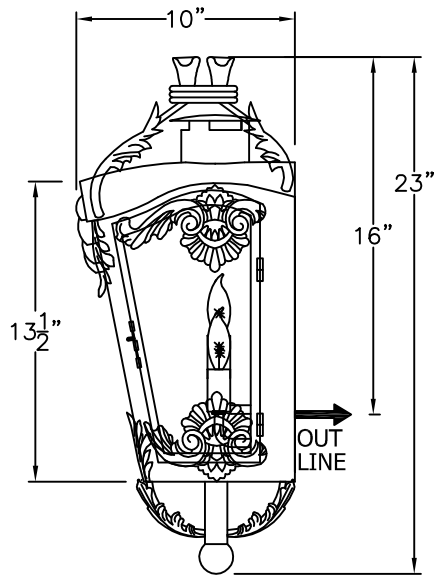


Napa Cast Iron - D001C

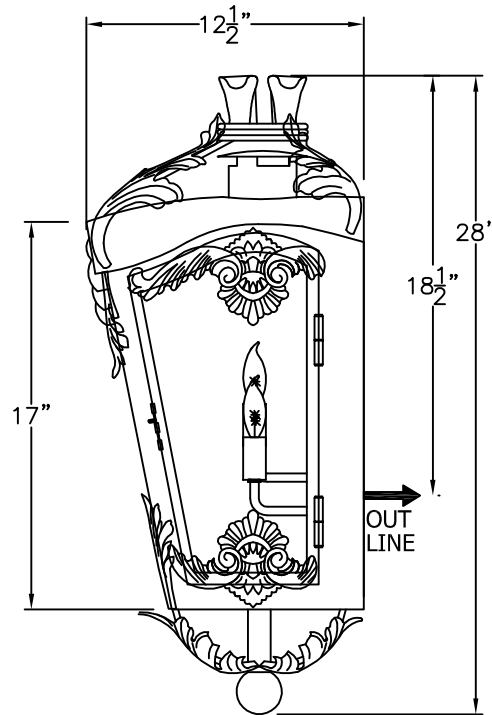




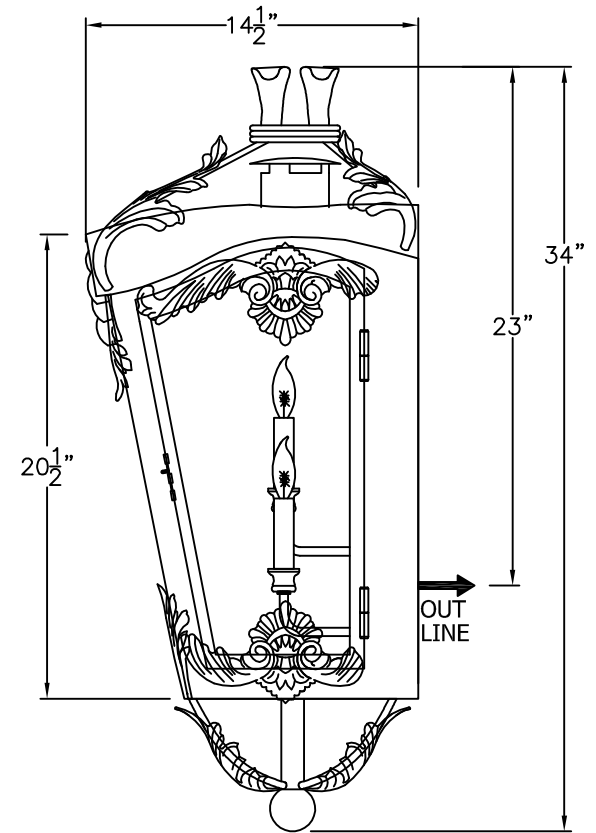
SMALL
D-001C-001
9" W X 17 1/2" H X 7 1/2" D



MEDIUM
D-001C-002
11 1/2" W X 23" H X 10" D



LARGE
D-001C-003
14" W X 28" H X 12 1/2" D



X-LARGE
D-001C-004
17" W X 34" H X 14 1/2" D

ONLY AVAILABLE
IN ELECTRIC

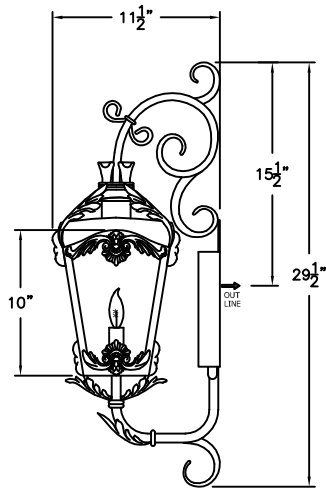
* ACTUAL DIMENSIONS MAY VARY UP TO 1/2"

CUSTOM DRAWING CHANGES:

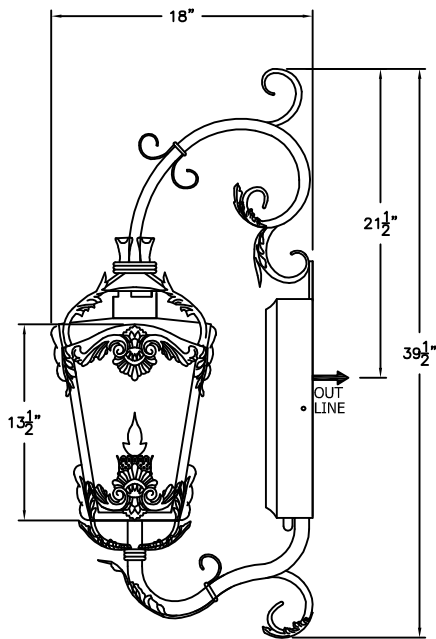
© 2011 SOLARA ENCHAINMENT
UNAUTHORIZED USE OF THIS
PLAN IS IN VIOLATION OF THE
U.S. COPYRIGHT ACT TITLE 17
OF THE U.S. CODE.



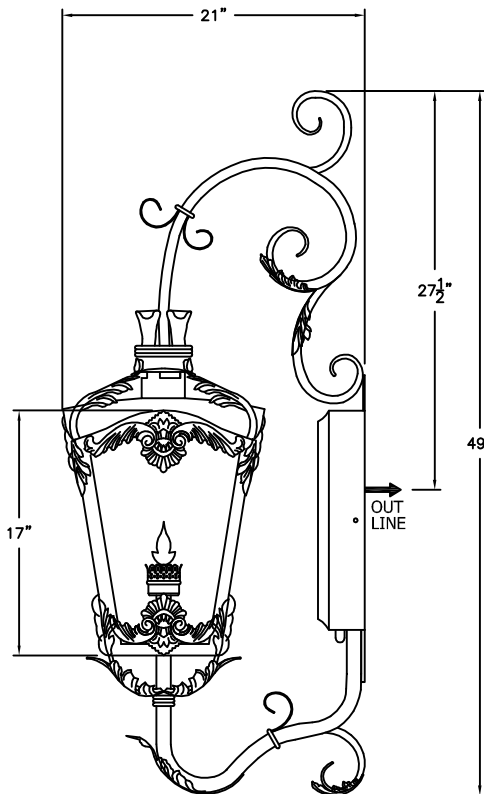
DESIGN:	NAPA CAST IRON
LINE:	SCONCE MOUNT
FILE:	D-001C-00SET-EL-S100-1
DATE REV:	02-FEB-11



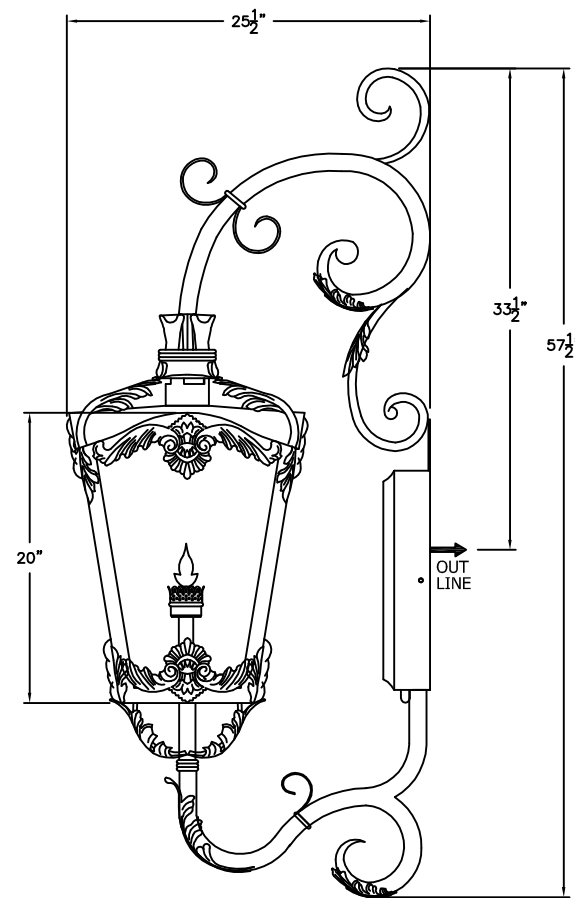
SMALL
D-001C-011
9" W X 29 1/2" H X 11 1/2" D



MEDIUM
D-001C-012
11 1/2" W X 39 1/2" H X 18" D



LARGE
D-001C-013
14" W X 49" H X 21" D



XLARGE
D-001C-014
17" W X 57 1/2" H X 25 1/2" D

AVAILABLE IN
GAS & ELECTRIC
WITH EXCEPTION
OF SMALL SIZE

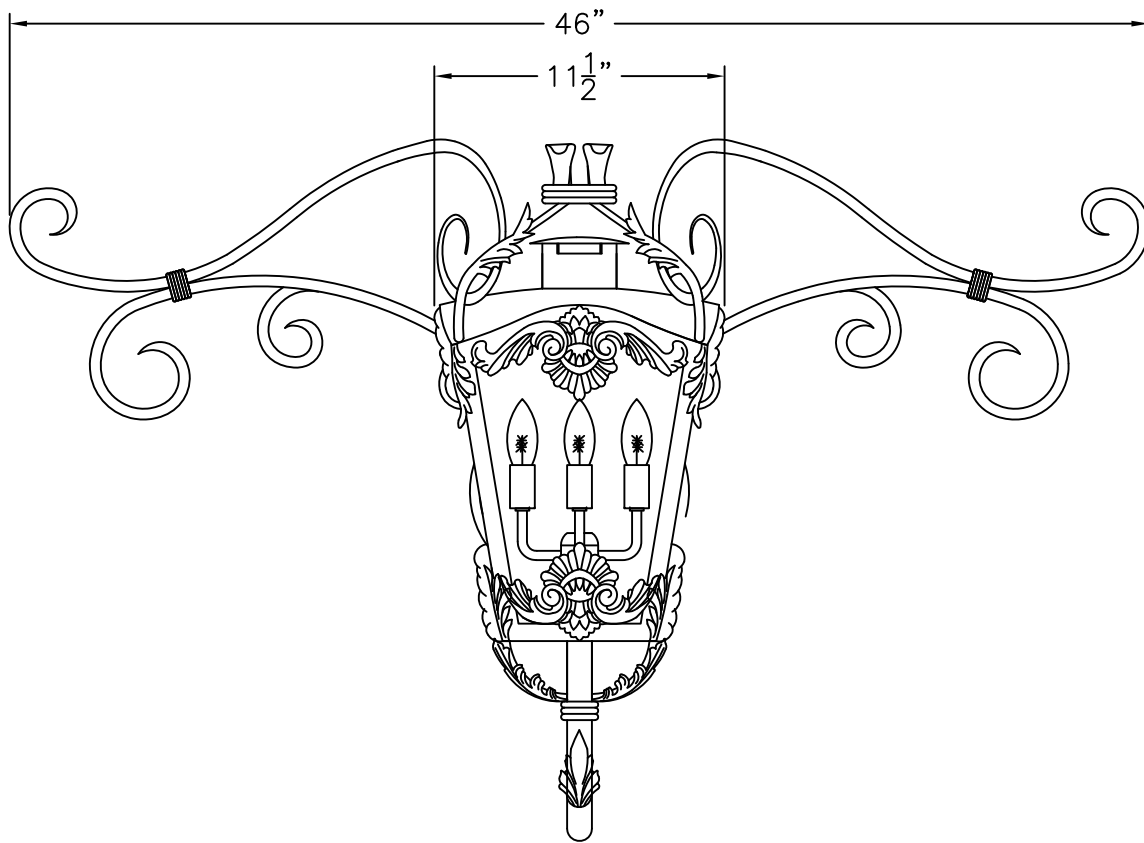
* ACTUAL DIMENSIONS MAY VARY UP TO 1/2"

CUSTOM DRAWING CHANGES:

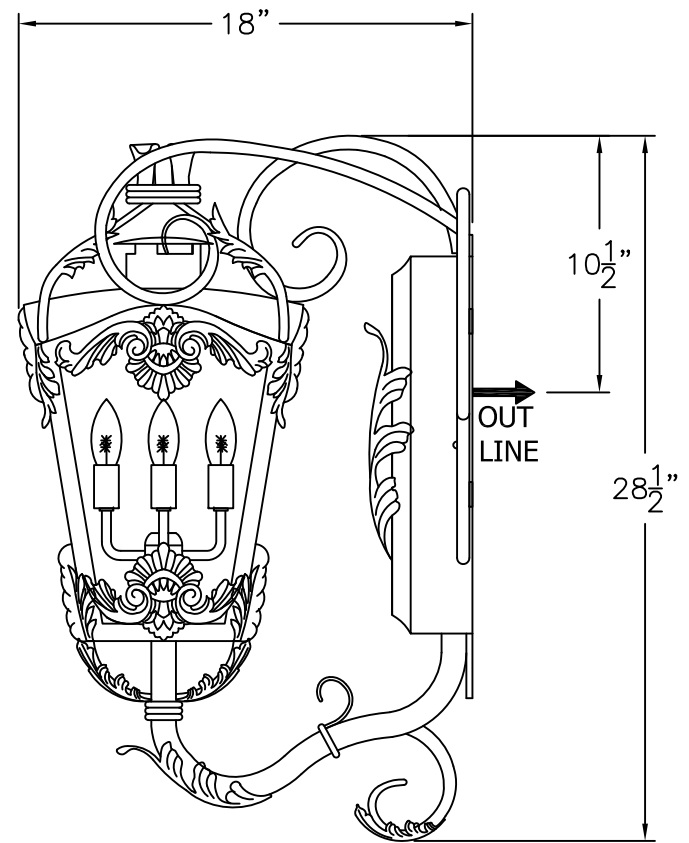
© 2010 SOLARA ENCHAINMENT
UNAUTHORIZED USE OF THIS
PLAN IS IN VIOLATION OF THE
U.S. COPYRIGHT ACT TITLE 17
OF THE U.S. CODE.



DESIGN:	NAPA CAST IRON
LINE:	WALL MOUNT
FILE:	D-001C-01SET-EG-S100-2
DATE REV:	30-SEP-10



FRONT VIEW



SIDE VIEW

MEDIUM
 D-001C-022
 46" W X 28 1/2" H X 18" D

AVAILABLE IN
 GAS & ELECTRIC
 WITH EXCEPTION
 OF SMALL SIZE

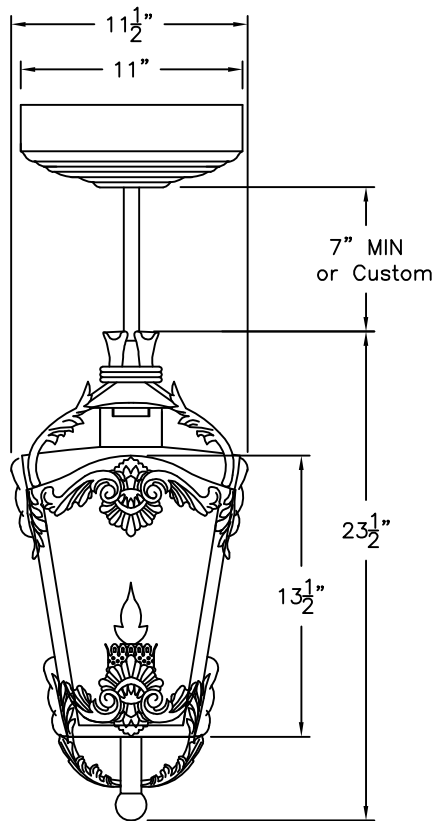
* ACTUAL DIMENSIONS MAY VARY UP TO 1/2"

CUSTOM DRAWING CHANGES:

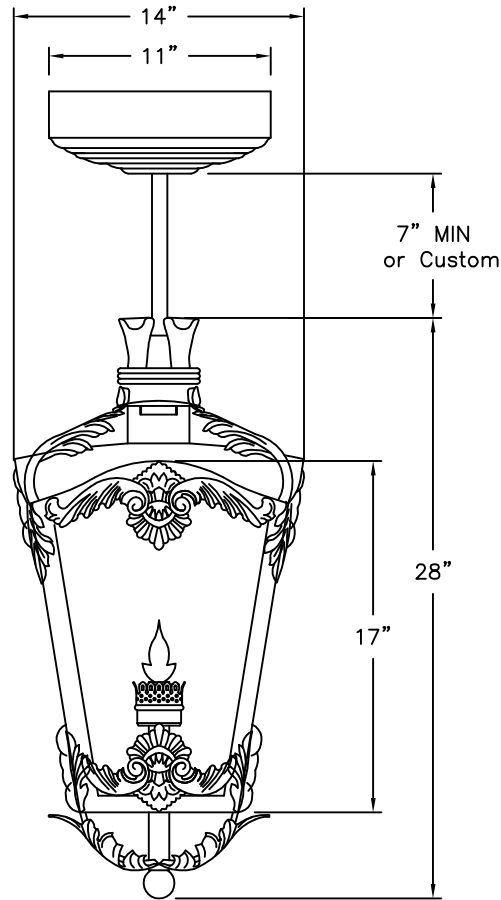
© 2010 SOLARA ENCHAINMENT
 UNAUTHORIZED USE OF THIS
 PLAN IS IN VIOLATION OF THE
 U.S. COPYRIGHT ACT TITLE 17
 OF THE U.S. CODE.



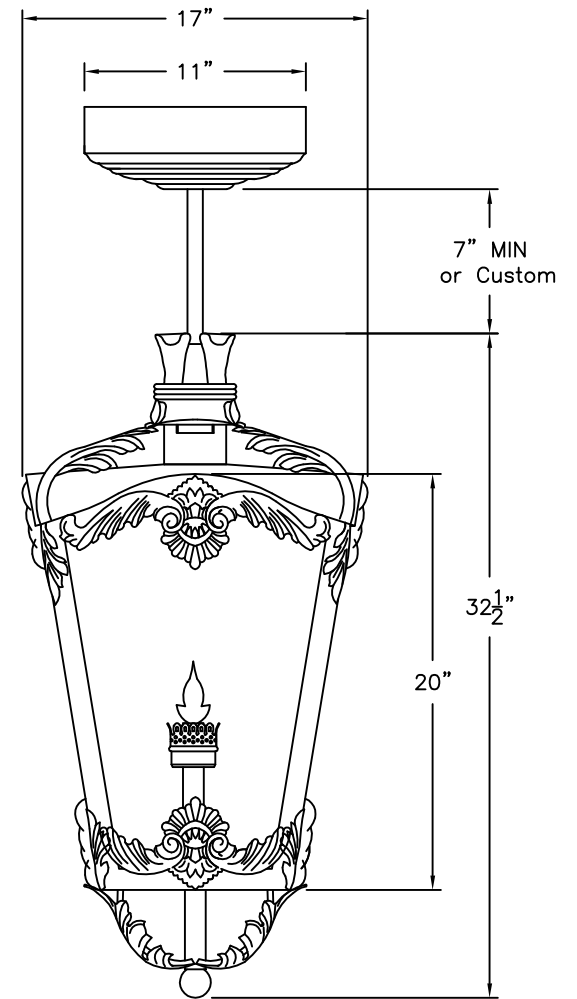
DESIGN:	NAPA CAST IRON
LINE:	CENTRAL MOUNT
FILE:	D-001C-022-EL-S100-3
DATE REV:	30-SEP-10



MEDIUM
D-001C-032
11 1/2" W X 23 1/2" H



LARGE
D-001C-033
14" W X 28" H



XLARGE
D-001-034
17" W X 32 1/2" H

AVAILABLE IN
GAS & ELECTRIC
WITH EXCEPTION
OF SMALL SIZE

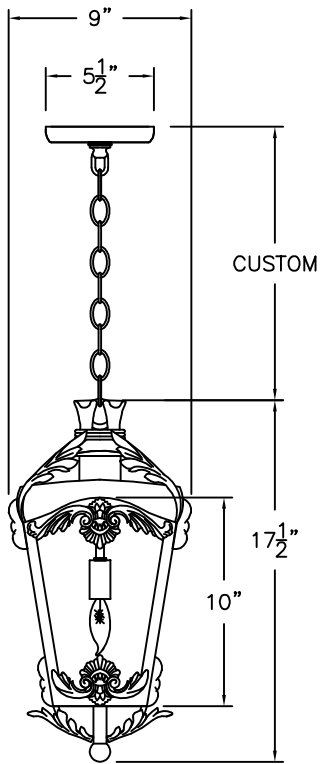
* ACTUAL DIMENSIONS MAY VARY UP TO 1/2"

CUSTOM DRAWING CHANGES:

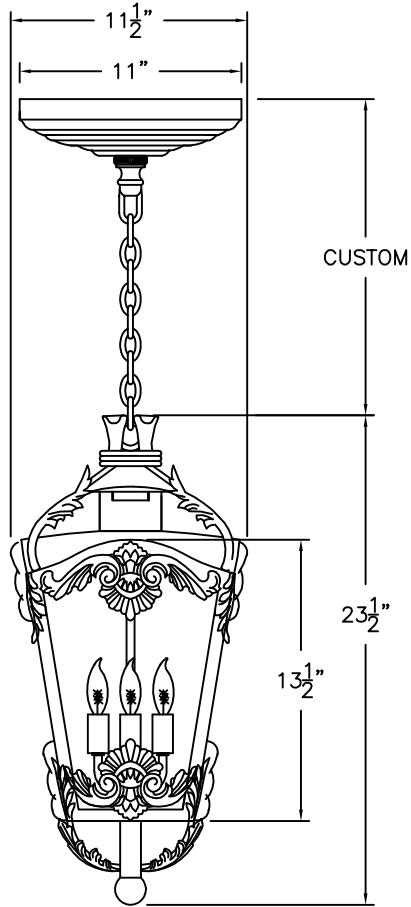
© 2010 SOLARA ENCHAINMENT
UNAUTHORIZED USE OF THIS
PLAN IS IN VIOLATION OF THE
U.S. COPYRIGHT ACT TITLE 17
OF THE U.S. CODE.



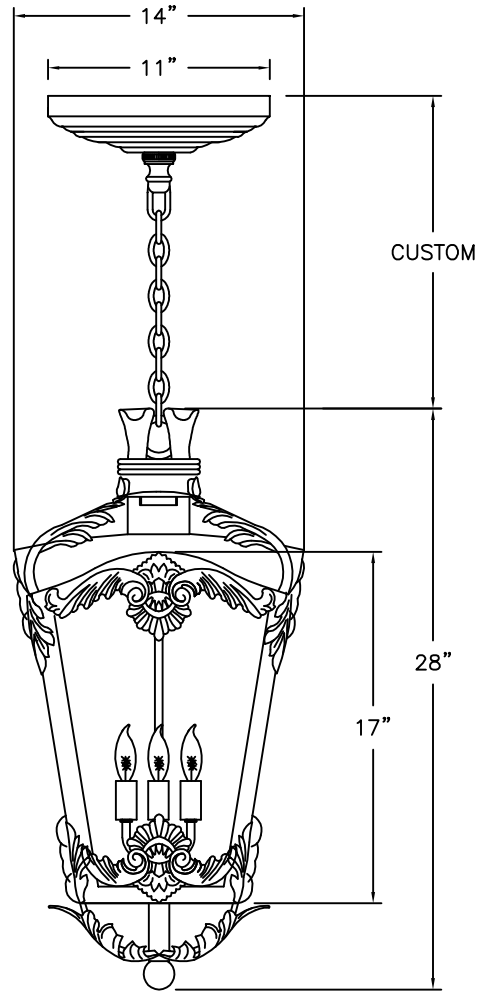
DESIGN:	NAPA CAST IRON
LINE:	PENDANT STEM
FILE:	D-001C-03SET-EG-S100-2
DATE REV:	30-SEP-10



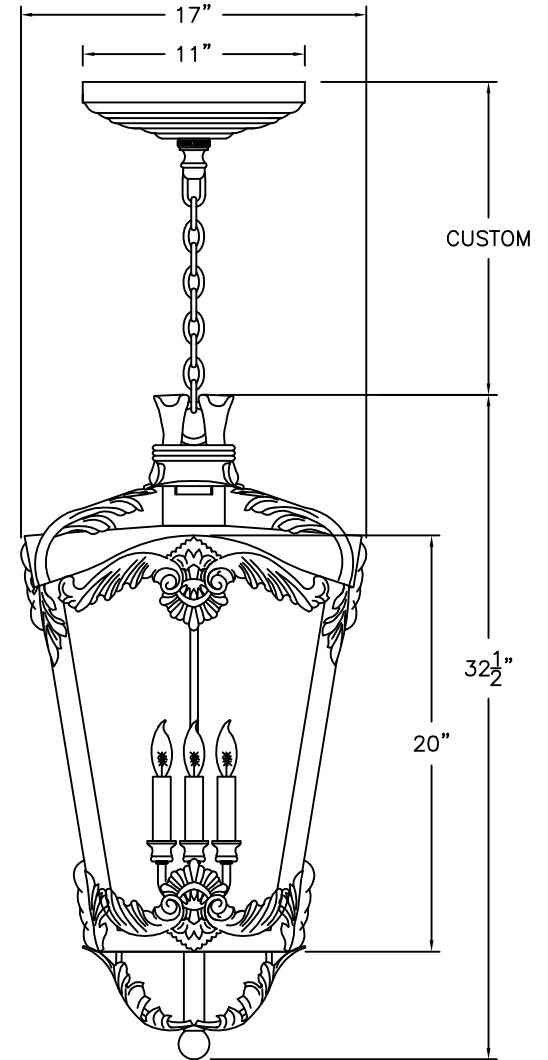
SMALL
D-001C-041
9" W X 17 1/2" H



MEDIUM
D-001C-042
11 1/2" W X 23 1/2" H



LARGE
D-001C-043
14" W X 28" H



XLARGE
D-001C-044
17" W X 32 1/2" H

**ONLY AVAILABLE
IN ELECTRIC**

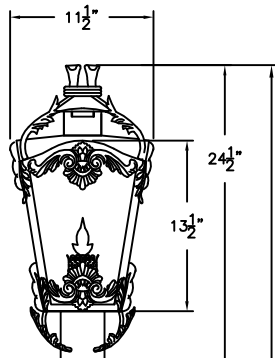
* ACTUAL DIMENSIONS MAY VARY UP TO 1/2"

CUSTOM DRAWING CHANGES:

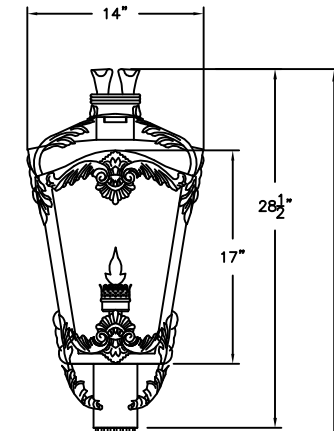
© 2010 SOLARA ENCHAINMENT
UNAUTHORIZED USE OF THIS
PLAN IS IN VIOLATION OF THE
U.S. COPYRIGHT ACT TITLE 17
OF THE U.S. CODE.



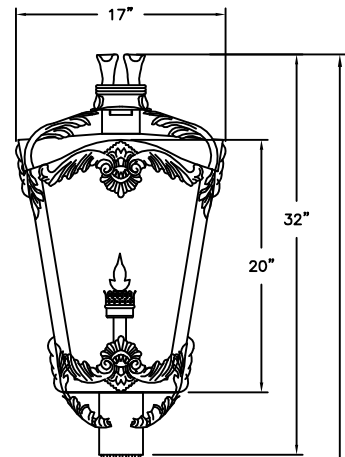
DESIGN:	NAPA CAST IRON
LINE:	PENDANT CHAIN
FILE:	D-001C-04SET-EL-S100-2
DATE REV:	30-SEP-10



MEDIUM
D-001C-052
11 1/2" W X 24 1/2" H



LARGE
D-001C-053
14" W X 28 1/2" H

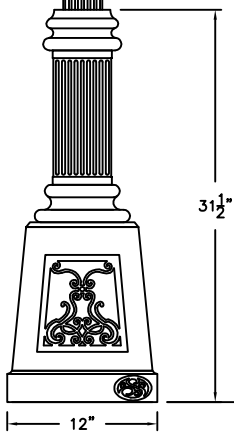


XLARGE
D-001C-054
17" W X 32" H

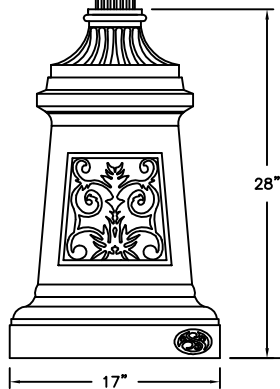
8' MIN
or Custom

8' MIN
or Custom

8' MIN
or Custom



SOLARA BASE



MUNICH BASE

AVAILABLE IN
GAS & ELECTRIC
WITH EXCEPTION
OF SMALL SIZE

* POST ARE SOLD SEPARATELY
* ACTUAL DIMENSIONS MAY VARY UP TO 1/2"

CUSTOM DRAWING CHANGES:

© 2010 SOLARA ENCHAINMENT
UNAUTHORIZED USE OF THIS
PLAN IS IN VIOLATION OF THE
U.S. COPYRIGHT ACT TITLE 17
OF THE U.S. CODE

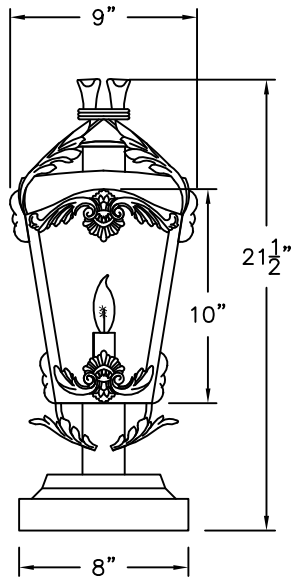


DESIGN: NAPA CAST IRON

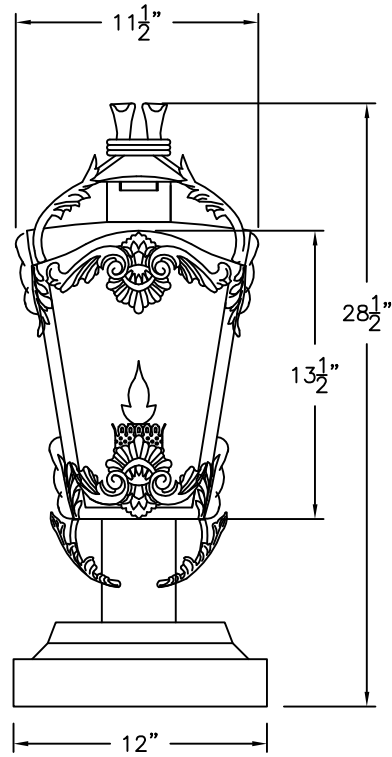
LINE: POST MOUNT

FILE: D-001C-05SET-EG-S100-1

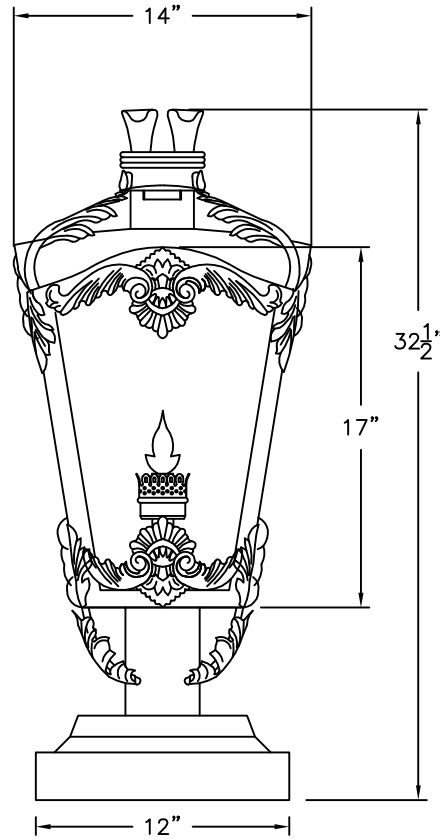
DATE REV: 30-SEP-10



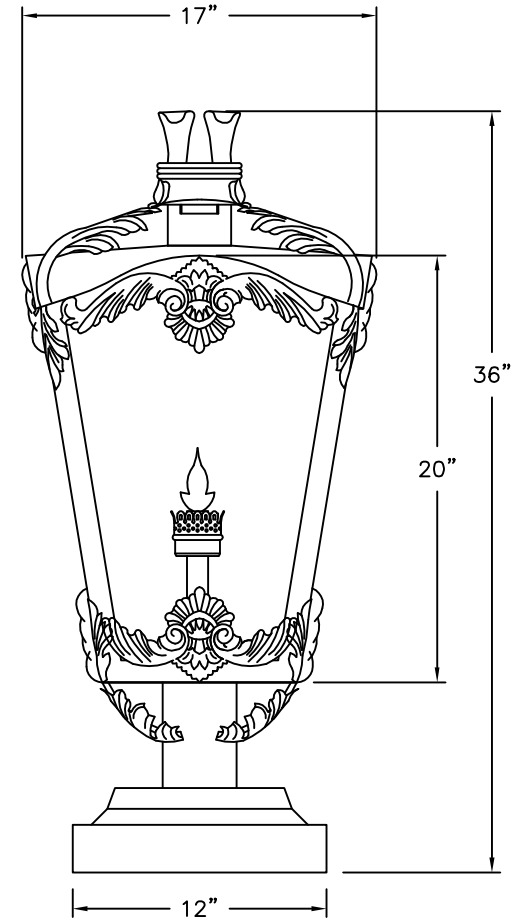
SMALL
D-001C-061
9" W X 21 1/2" H



MEDIUM
D-001C-062
11 1/2" W X 28 1/2" H



LARGE
D-001C-063
14" W X 32 1/2" H



XLARGE
D-001C-064
17" W X 36" H

AVAILABLE IN
GAS & ELECTRIC
WITH EXCEPTION
OF SMALL SIZE

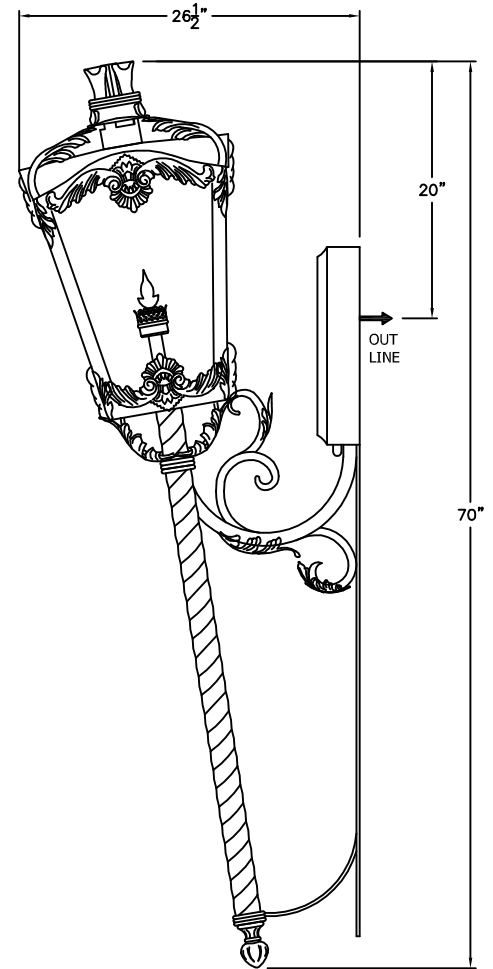
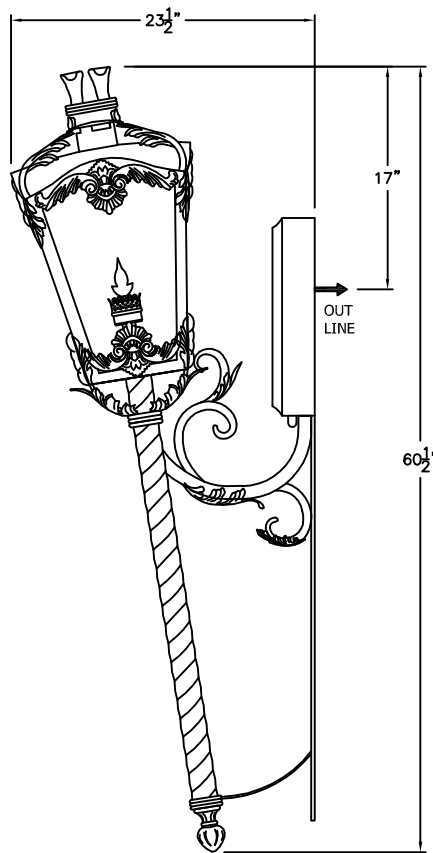
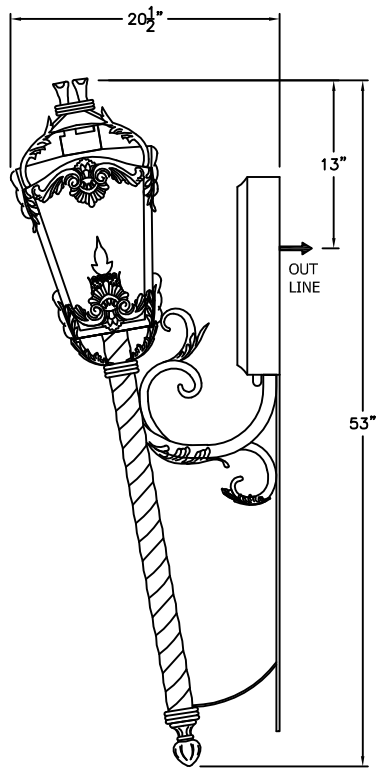
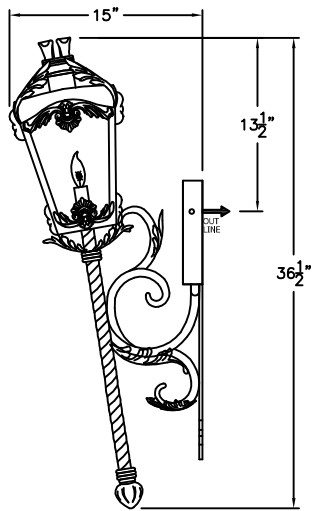
* ACTUAL DIMENSIONS MAY VARY UP TO 1/2"

CUSTOM DRAWING CHANGES:

© 2010 SOLARA ENCHAINMENT
UNAUTHORIZED USE OF THIS
PLAN IS IN VIOLATION OF THE
U.S. COPYRIGHT ACT TITLE 17
OF THE U.S. CODE.



DESIGN:	NAPA CAST IRON
LINE:	PIER MOUNT
FILE:	D-001C-06SET-EG-S100-2
DATE REV:	30-SEP-10



SMALL
D-001C-081
9" W X 36 1/2" H X 15" D

MEDIUM
D-001C-082
11 1/2" W X 53" H X 20 1/2" D

LARGE
D-001C-083
14" W X 60 1/2" H X 23 1/2" D

XLARGE
D-001C-084
17" W X 70" H X 26 1/2" D

AVAILABLE IN
GAS & ELECTRIC
WITH EXCEPTION
OF SMALL SIZE

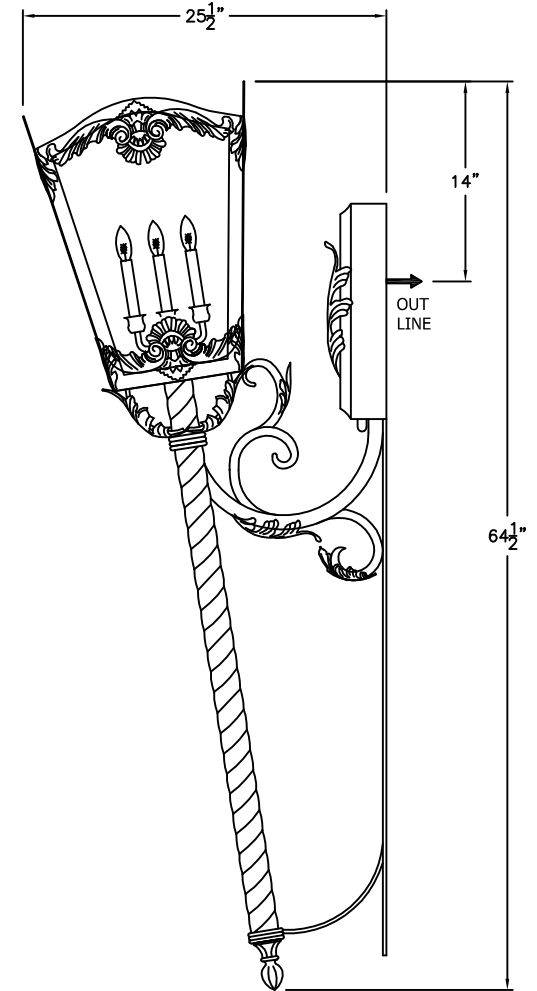
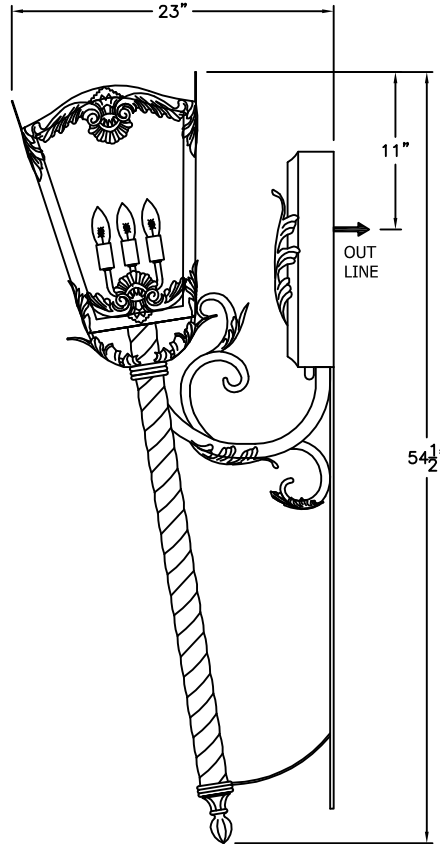
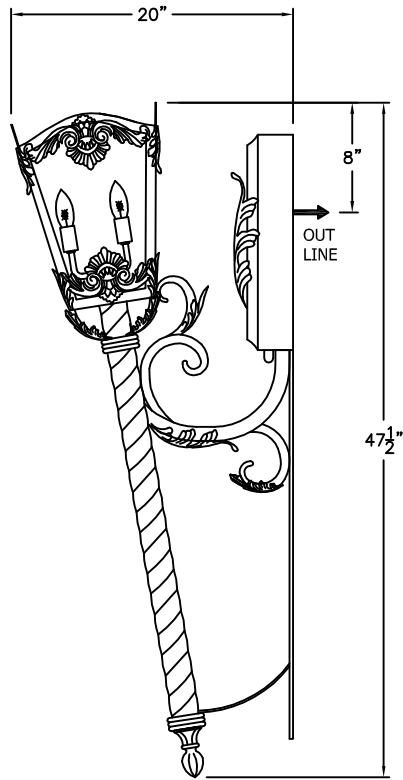
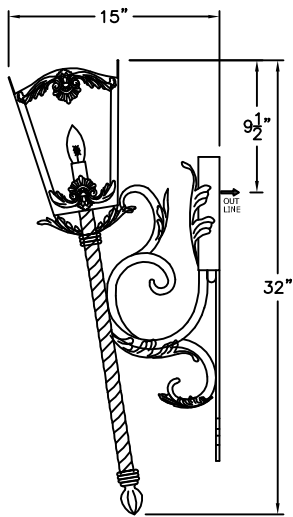
* ACTUAL DIMENSIONS MAY VARY UP TO 1/2"

CUSTOM DRAWING CHANGES:

© 2010 SOLARA ENCHAINMENT
UNAUTHORIZED USE OF THIS
PLAN IS IN VIOLATION OF THE
U.S. COPYRIGHT ACT TITLE 17
OF THE U.S. CODE.



DESIGN:	NAPA CAST IRON
LINE:	TORCH MOUNT
FILE:	D-001C-08SET-EG-S100-2
DATE REV:	30-SEP-10



SMALL
D-001C-091
 9" W X 32" H X 15" D

MEDIUM
D-001C-092
 11 1/2" W X 47 1/2" H X 20" D

LARGE
D-001C-093
 14" W X 54 1/2" H X 23" D

XLARGE
D-001C-094
 17" W X 64 1/2" H X 25 1/2" D

AVAILABLE IN
 GAS & ELECTRIC
 WITH EXCEPTION
 OF SMALL SIZE

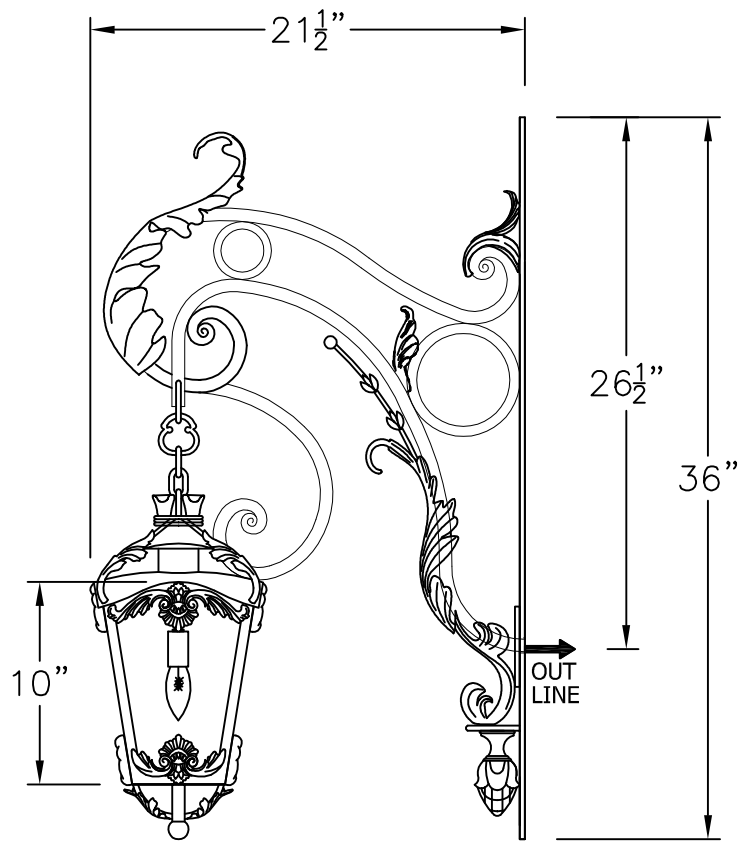
* ACTUAL DIMENSIONS MAY VARY UP TO 1/2"

CUSTOM DRAWING CHANGES:

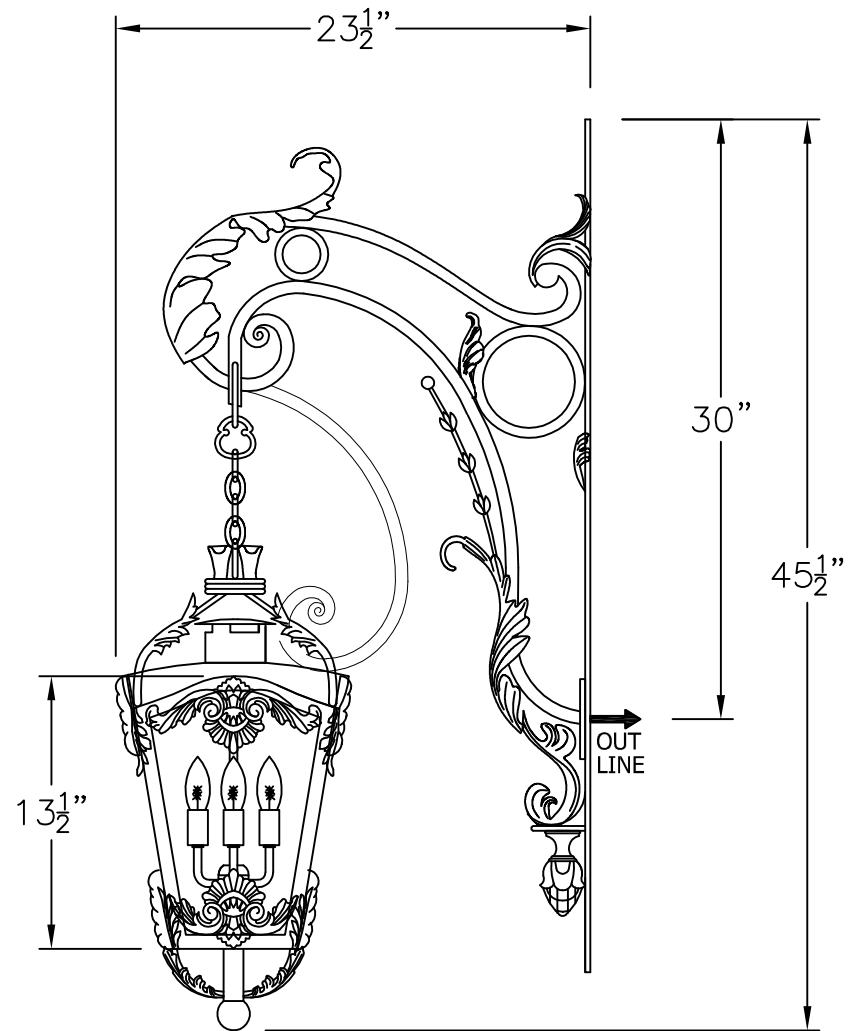
© 2010 SOLARA ENCHAINMENT
 UNAUTHORIZED USE OF THIS
 PLAN IS IN VIOLATION OF THE
 U.S. COPYRIGHT ACT TITLE 17
 OF THE U.S. CODE.



DESIGN:	NAPA CAST IRON
LINE:	TORCH MOUNT
FILE:	D-001C-09SET-EL-S100-2
DATE REV:	30-SEP-10



SMALL
D-001C-101
9" W X 36" H X 21 1/2" D



MEDIUM
D-001C-102
11 1/2" W X 45 1/2" H X 23 1/2" D

ONLY AVAILABLE
IN ELECTRIC

* ACTUAL DIMENSIONS MAY VARY UP TO 1/2"

CUSTOM DRAWING CHANGES:

© 2010 SOLARA ENCHAINMENT
UNAUTHORIZED USE OF THIS
PLAN IS IN VIOLATION OF THE
U.S. COPYRIGHT ACT TITLE 17
OF THE U.S. CODE.



DESIGN:	NAPA CAST IRON
LINE:	HANGING MOUNT
FILE:	D-001C-10SET-EL-S100-3
DATE REV:	30-NOV-10