



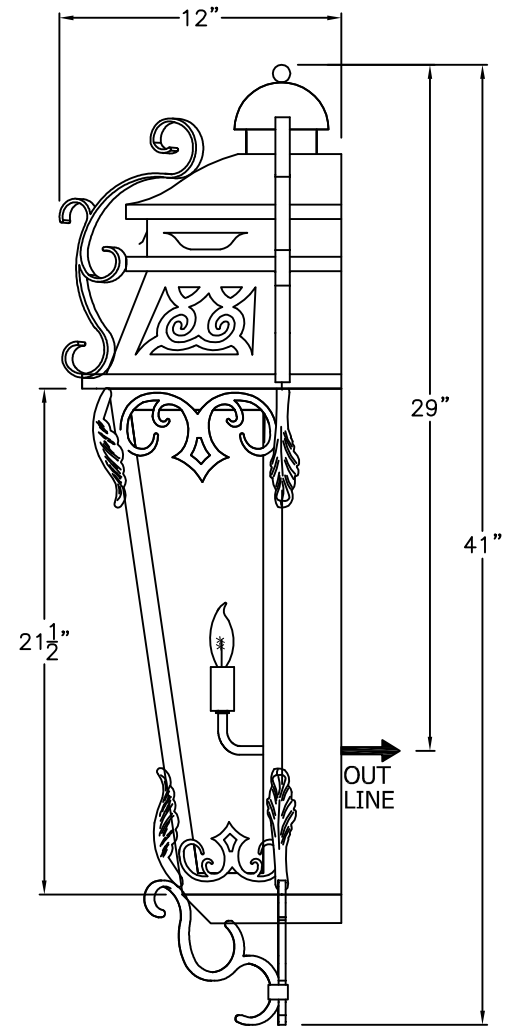
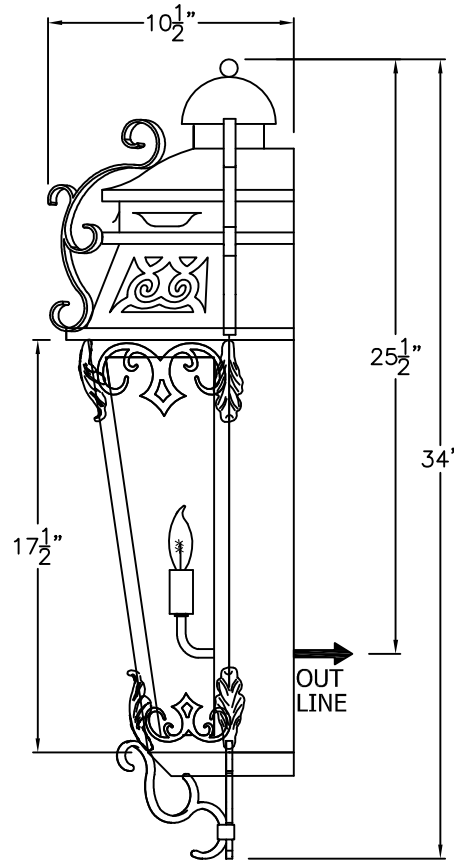
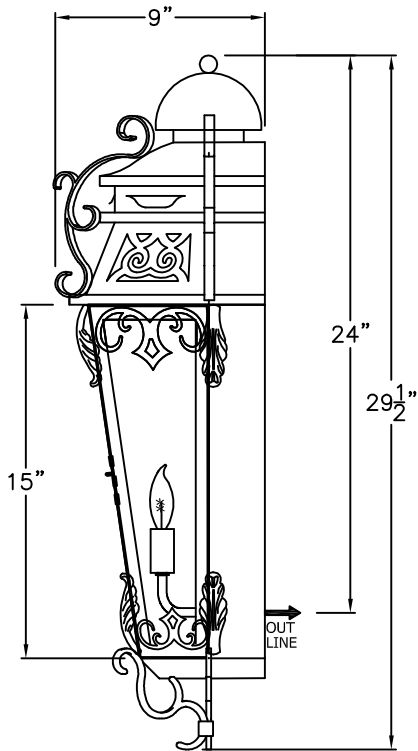
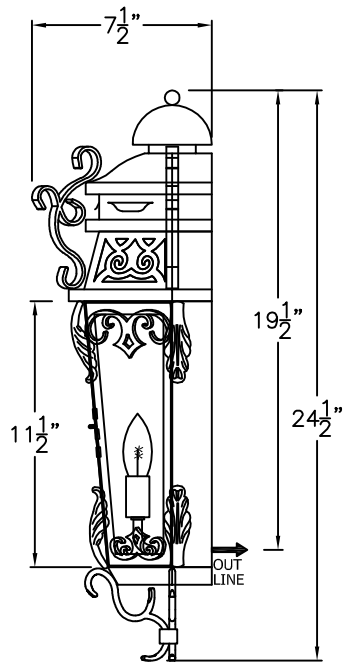
SOLARA

Iron Doors & Lighting



Olympia - F008





SMALL
F-008-001
13 1/2" W x 24 1/2" H x 7 1/2" D

MEDIUM
F-008-002
15" W x 29 1/2" H x 9" D

LARGE
F-008-003
17 1/2" W x 34" H x 10 1/2" D

XLARGE
F-008-004
21 1/2" W x 41" H x 12" D

ONLY AVAILABLE
IN ELECTRIC

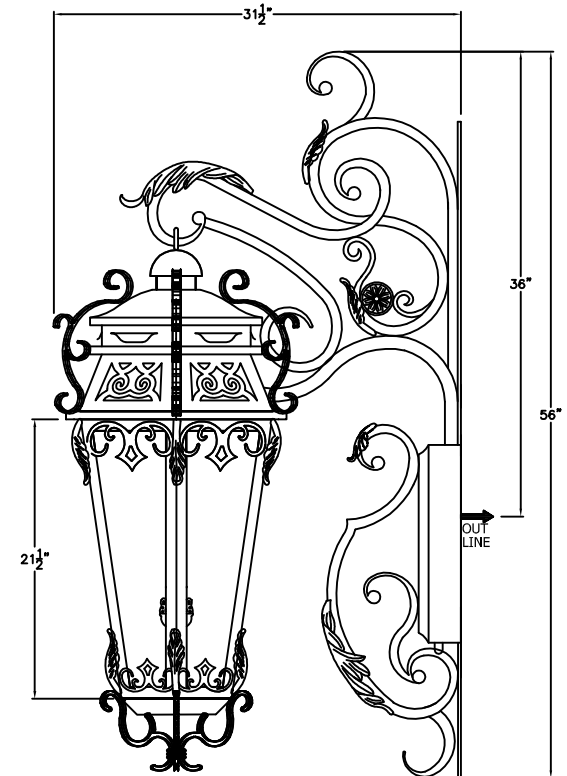
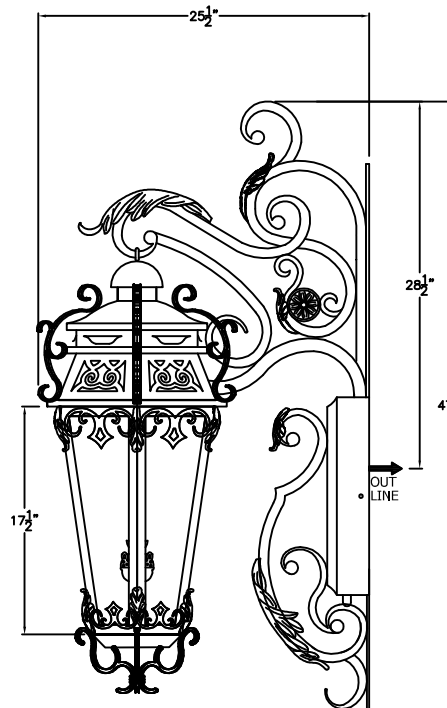
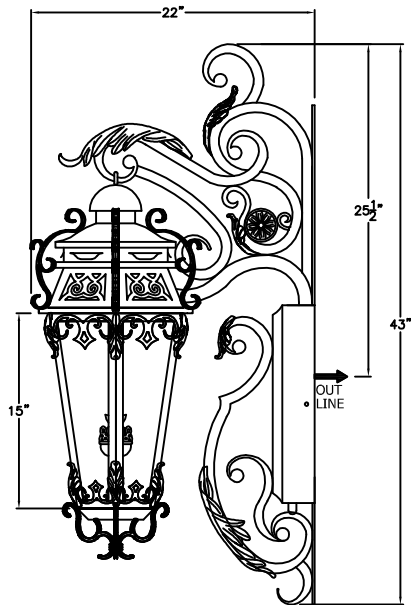
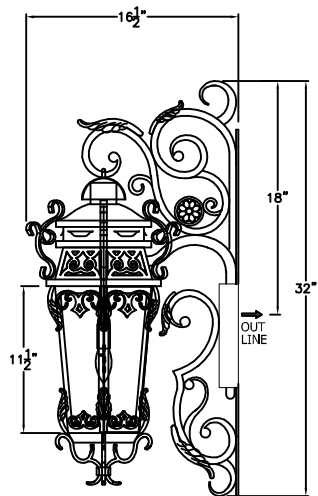
* ACTUAL DIMENSIONS MAY VARY UP TO 1/2"

CUSTOM DRAWING CHANGES:

© 2010 SOLARA ENCHAINMENT
UNAUTHORIZED USE OF THIS
PLAN IS IN VIOLATION OF THE
U.S. COPYRIGHT ACT TITLE 17
OF THE U.S. CODE.



DESIGN:	OLYMPIA
LINE:	SCONCE MOUNT
FILE:	F-008-00SET-EL-S100-1
DATE REV:	27-SEP-10



SMALL
F-008-011

13 1/2" W x 32" H x 16 1/2" D

MEDIUM
F-008-012

15" W x 43" H x 22" D

LARGE
F-008-013

17 1/2" W x 47" H x 25 1/2" D

XLARGE
F-008-014

21 1/2" W x 56" H x 31 1/2" D

AVAILABLE IN
GAS & ELECTRIC
WITH EXCEPTION
OF SMALL SIZE

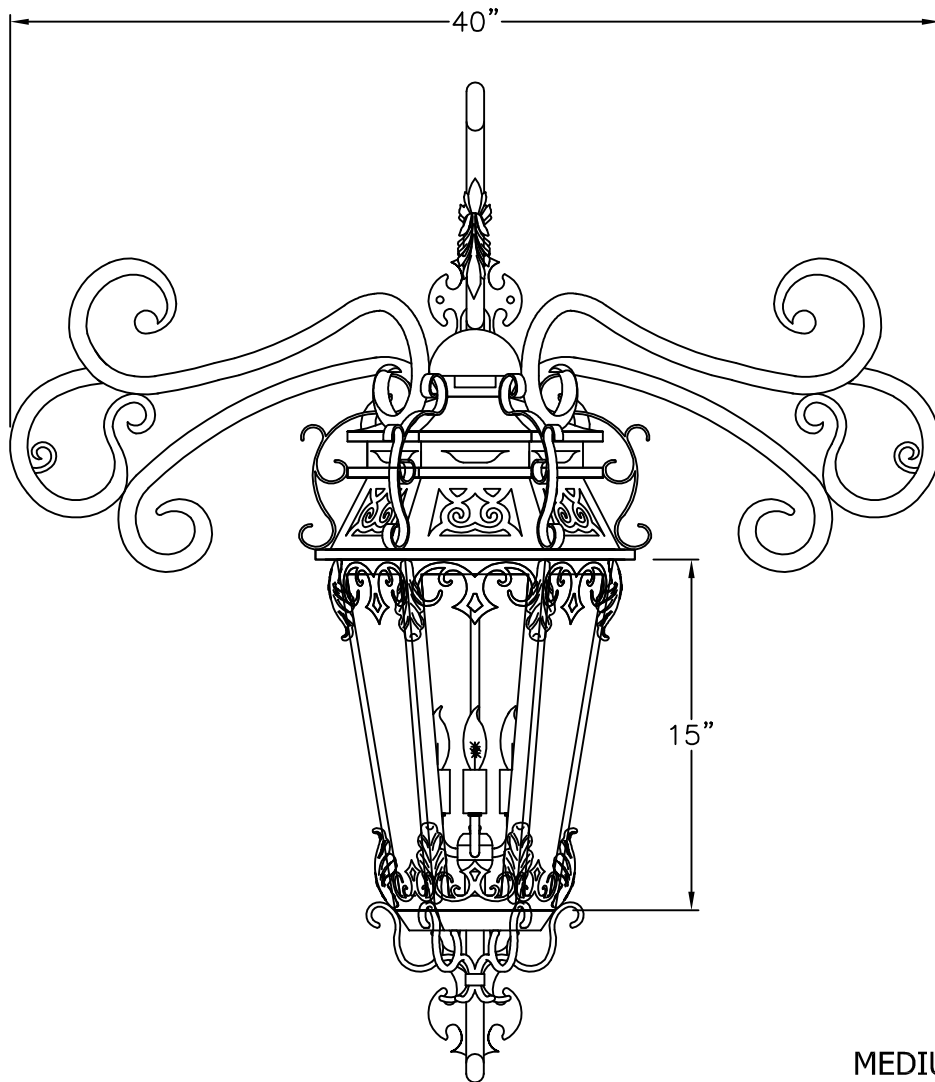
* ACTUAL DIMENSIONS MAY VARY UP TO 1/2"

CUSTOM DRAWING CHANGES:

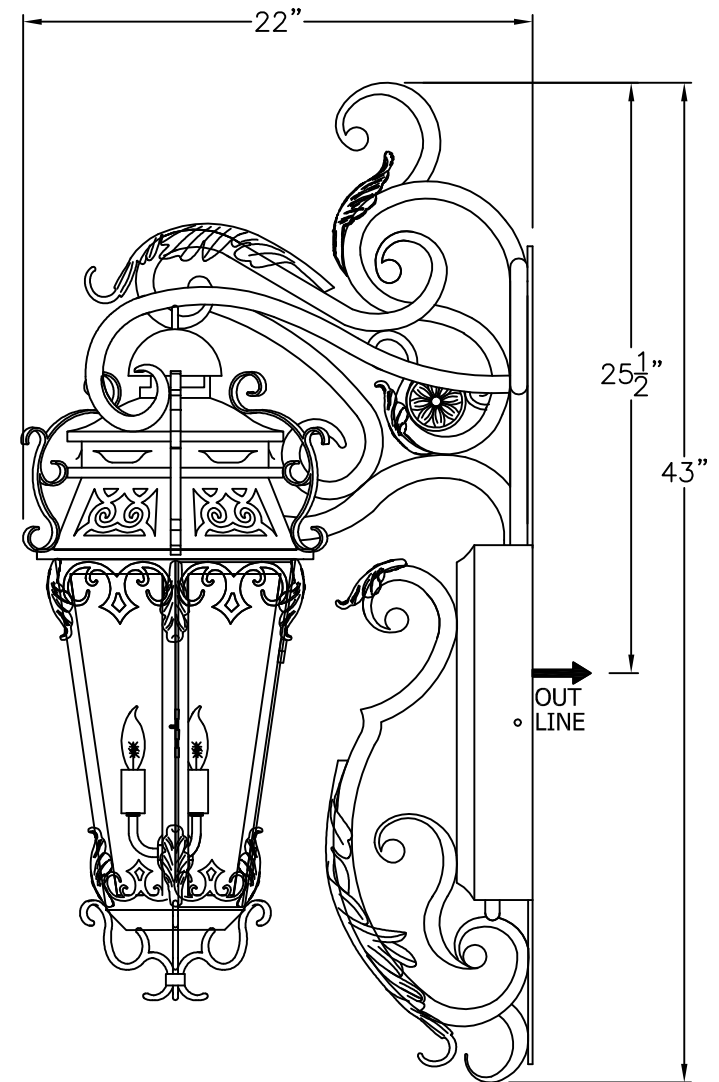
© 2010 SOLARA ENCHAINMENT
UNAUTHORIZED USE OF THIS
PLAN IS IN VIOLATION OF THE
U.S. COPYRIGHT ACT TITLE 17
OF THE U.S. CODE.



DESIGN:	OLYMPIA
LINE:	WALL MOUNT
FILE:	F-008-01SET-EG-S100-3
DATE REV:	23-SEP-10



FRONT VIEW



SIDE VIEW

MEDIUM
F-008-022
40" W x 43" H x 22" D

AVAILABLE IN
GAS & ELECTRIC
WITH EXCEPTION
OF SMALL SIZE

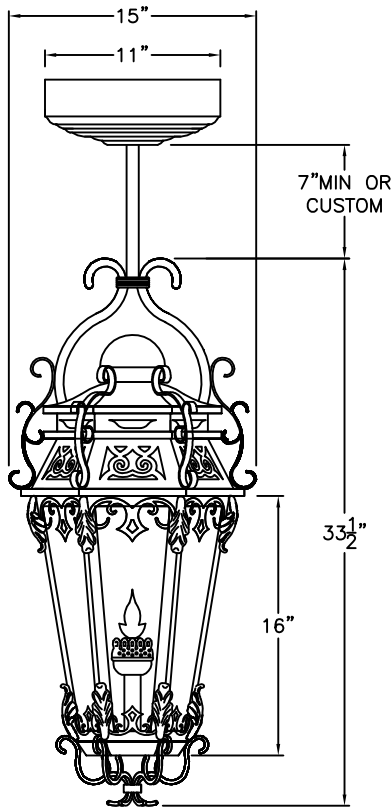
* ACTUAL DIMENSIONS MAY VARY UP TO 1/2"

CUSTOM DRAWING CHANGES:

© 2011 SOLARA ENCHAINMENT
UNAUTHORIZED USE OF THIS
PLAN IS IN VIOLATION OF THE
U.S. COPYRIGHT ACT TITLE 17
OF THE U.S. CODE.

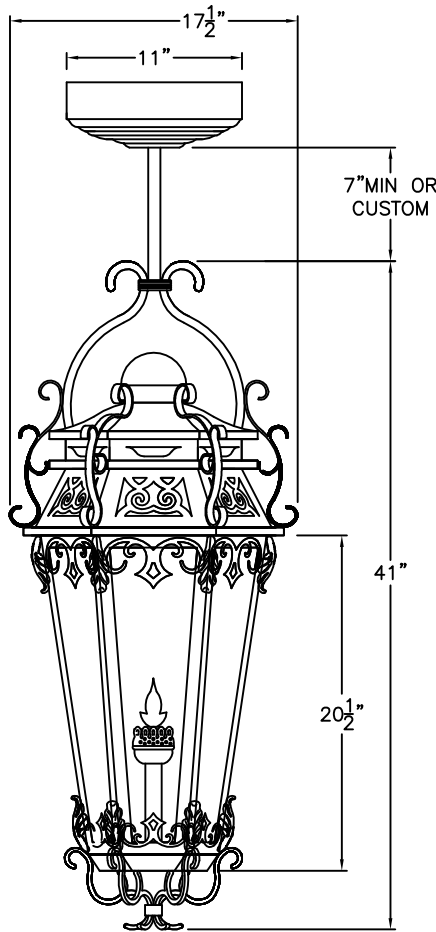


DESIGN:	OLYMPIA
LINE:	CENTRAL MOUNT
FILE:	F-008-022-EL-S100-1
DATE REV :	11-MAR-11



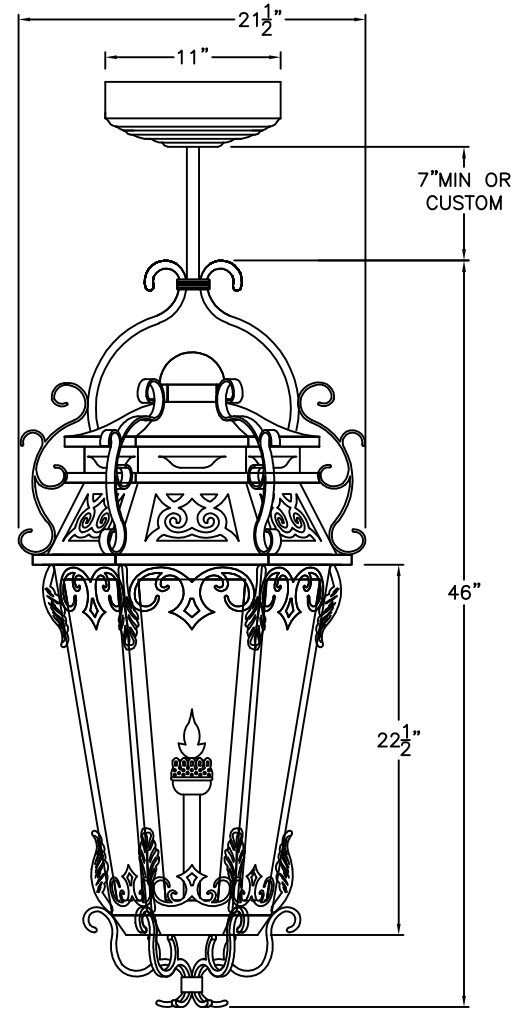
MEDIUM
F-008-032

15" W x 33 $\frac{1}{2}$ " H x 13" D



LARGE
F-008-033

17 $\frac{1}{2}$ " W x 41" H x 15" D



XLARGE
F-008-034

21 $\frac{1}{2}$ " W x 46" H x 18 $\frac{1}{2}$ " D

AVAILABLE IN
GAS & ELECTRIC
WITH EXCEPTION
OF SMALL SIZE

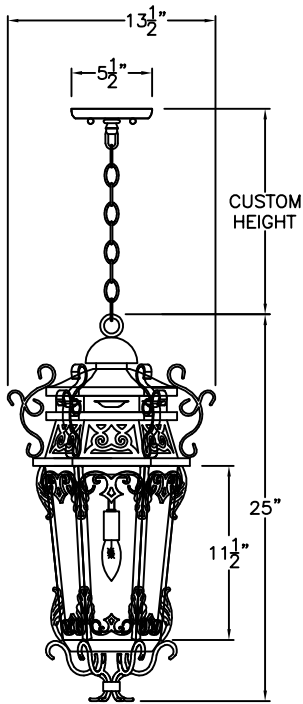
* ACTUAL DIMENSIONS MAY VARY UP TO 1/2"

CUSTOM DRAWING CHANGES:

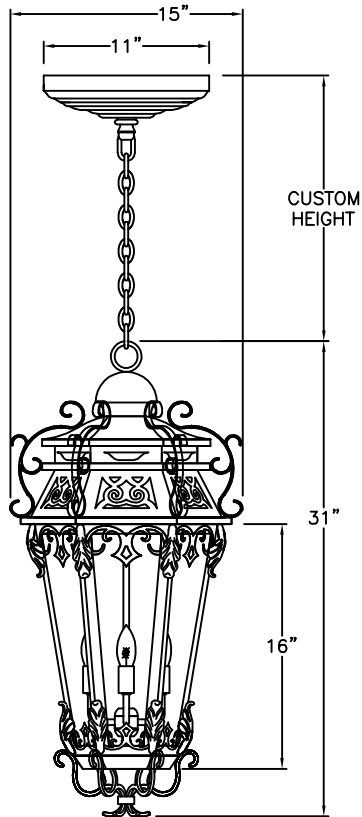
© 2011 SOLARA ENCHAINMENT
UNAUTHORIZED USE OF THIS
PLAN IS IN VIOLATION OF THE
U.S. COPYRIGHT ACT TITLE 17
OF THE U.S. CODE.



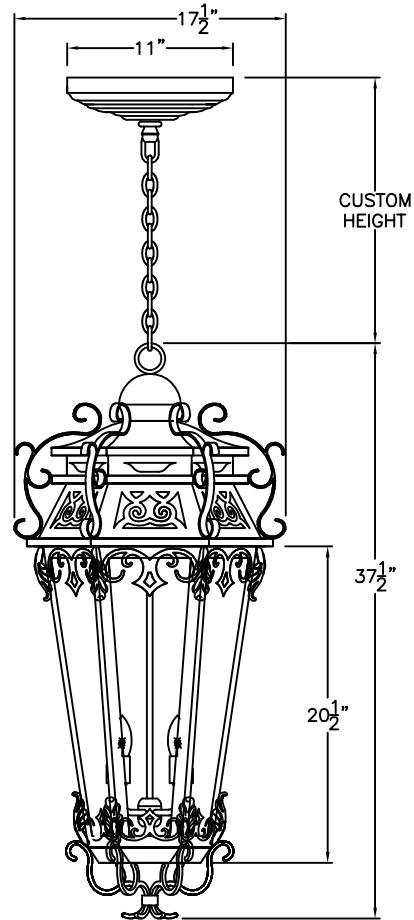
DESIGN:	OLYMPIA
LINE:	PENDANT STEM
FILE:	F-008-03SET-EG-S100-1
DATE REV:	21-JUNE-11



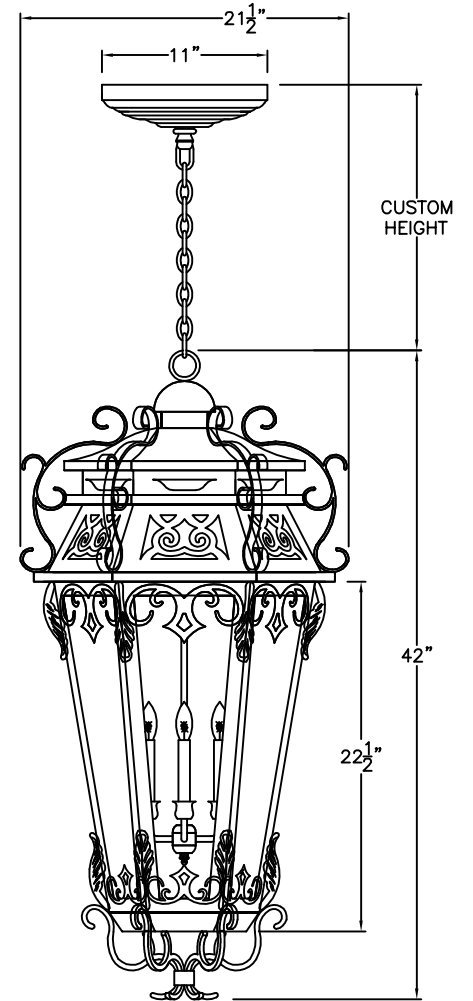
SMALL
F-008-041
 13 1/2" W x 25" H x 11 1/2" D



MEDIUM
F-008-042
 15" W x 31" H x 13" D



LARGE
F-008-043
 17 1/2" W x 37 1/2" H x 15" D



XLARGE
F-008-044
 21 1/2" W x 42" H x 18 1/2" D

ONLY AVAILABLE
 IN ELECTRIC

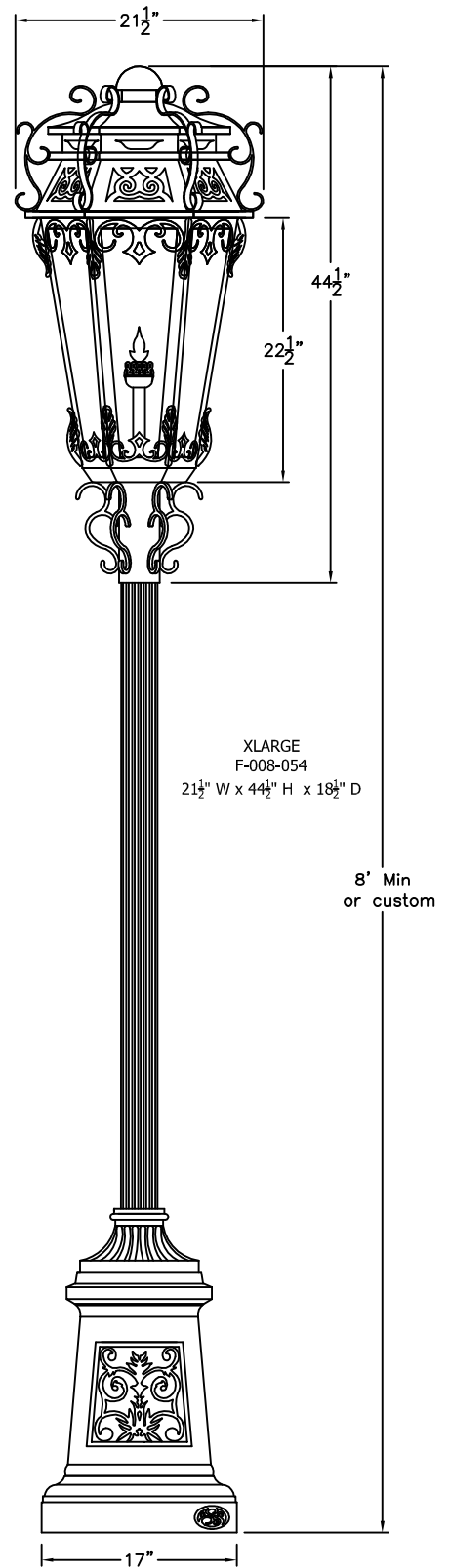
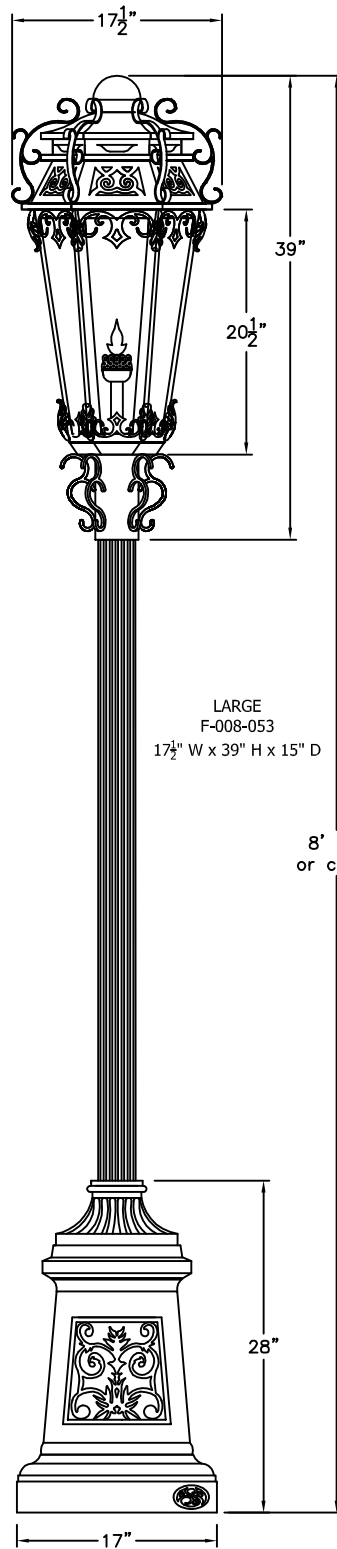
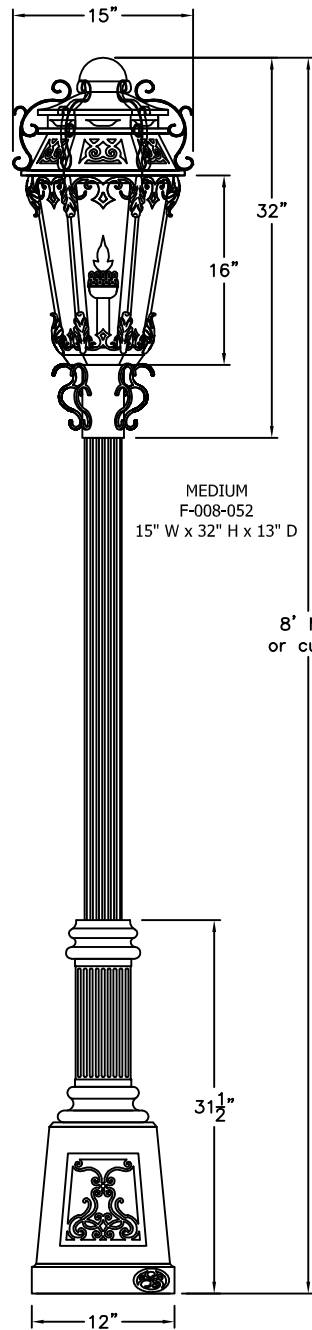
* ACTUAL DIMENSIONS MAY VARY UP TO 1/2"

CUSTOM DRAWING CHANGES:

© 2011 SOLARA ENCHAINMENT
 UNAUTHORIZED USE OF THIS
 PLAN IS IN VIOLATION OF THE
 U.S. COPYRIGHT ACT TITLE 17
 OF THE U.S. CODE.



DESIGN:	OLYMPIA
LINE:	PENDANT CHAIN
FILE:	F-008-04SET-EL-S100-1
DATE REV:	21-JUNE-11



AVAILABLE IN
GAS & ELECTRIC
WITH EXCEPTION
OF SMALL SIZE

* POST ARE SOLD SEPARATELY
* ACTUAL DIMENSIONS MAY VARY UP TO 1/2"

CUSTOM DRAWING CHANGES:

© 2011 SOLARA ENCHAINMENT
UNAUTHORIZED USE OF THIS
PLAN IS IN VIOLATION OF THE
U.S. COPYRIGHT ACT TITLE 17
OF THE U.S. CODE

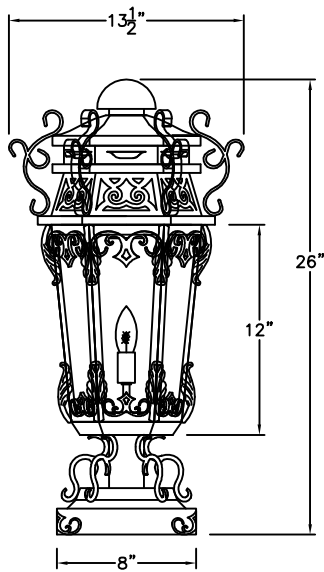


DESIGN: OLYMPIA

LINE: POST MOUNT

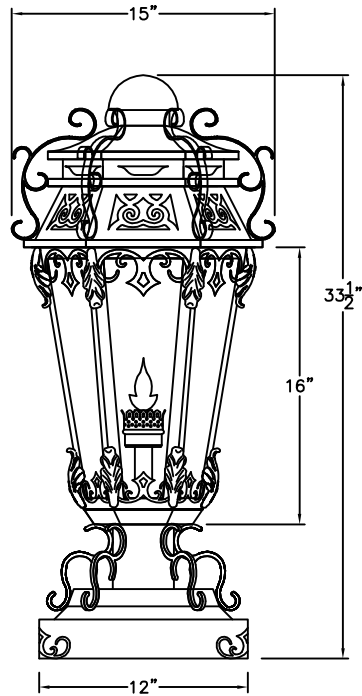
FILE: F-008-05SET-EG-S100-1

DATE REV : 21-JUNE-11



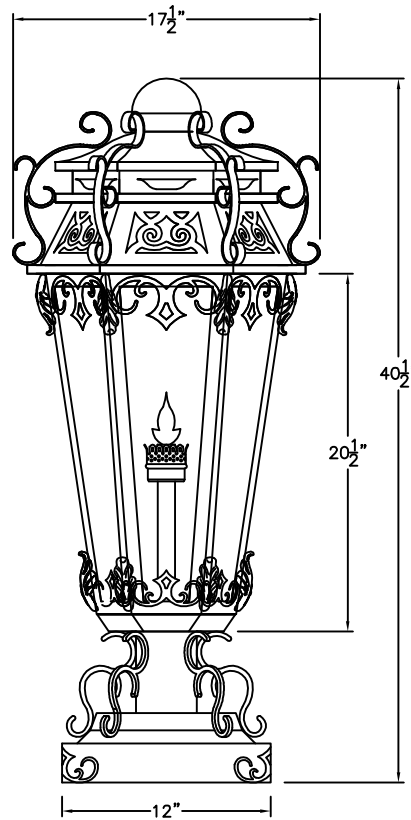
SMALL
F-008-061

13 1/2" W x 26" H x 11 1/2" D



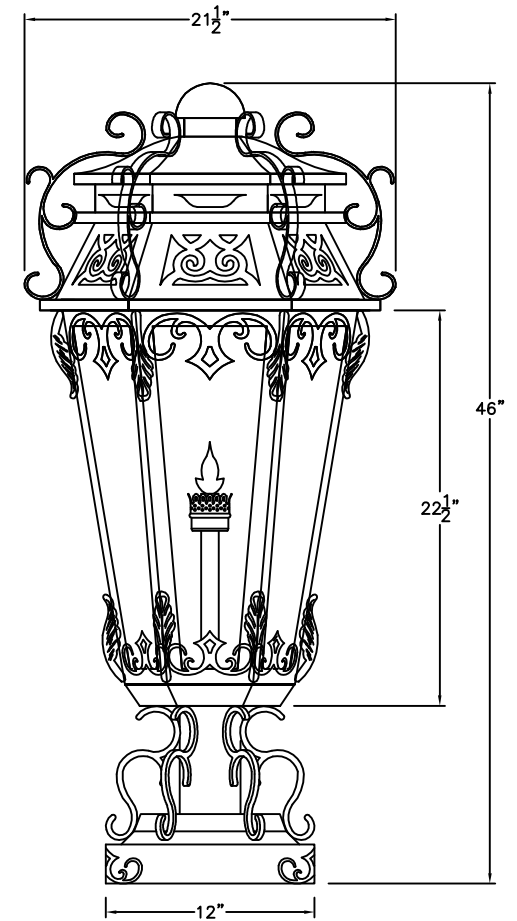
MEDIUM
F-008-062

15" W x 33 1/2" H x 13" D



LARGE
F-008-063

17 1/2" W x 40 1/2" H x 15" D



XLARGE
F-008-064

21 1/2" W x 46" H x 18 1/2" D

AVAILABLE IN
GAS & ELECTRIC
WITH EXCEPTION
OF SMALL SIZE

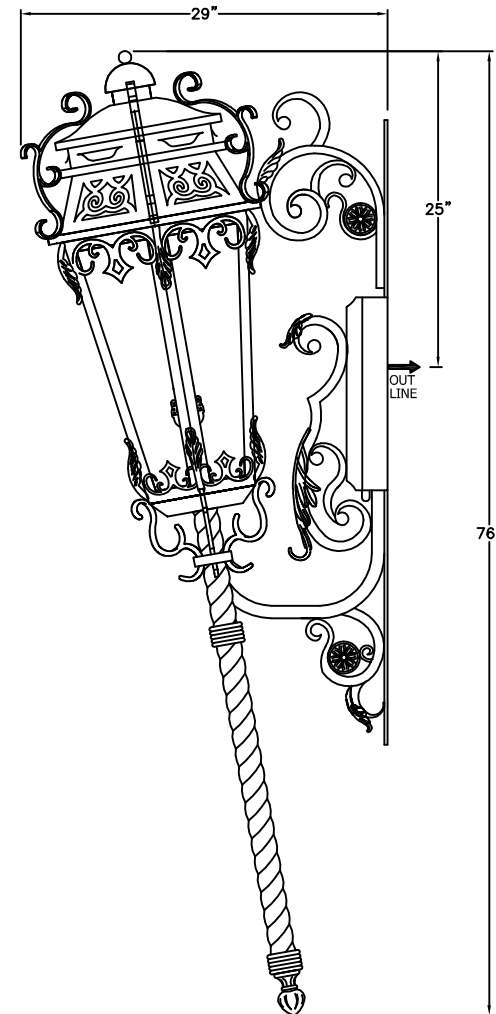
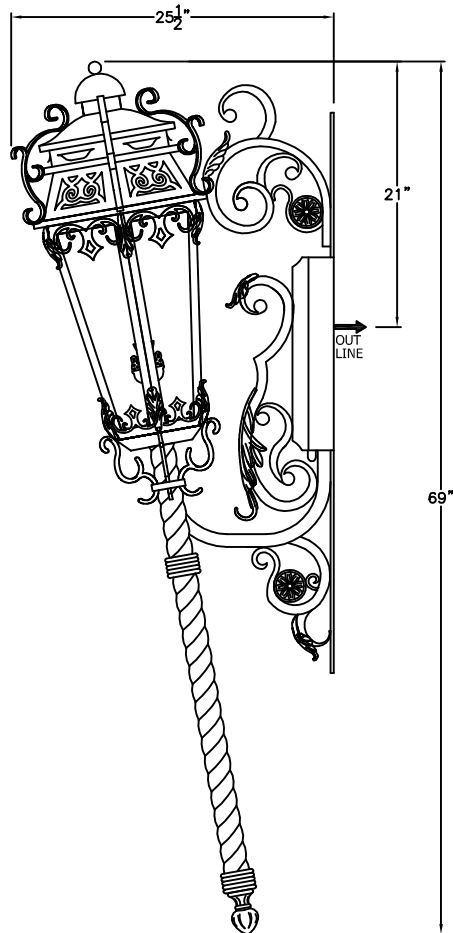
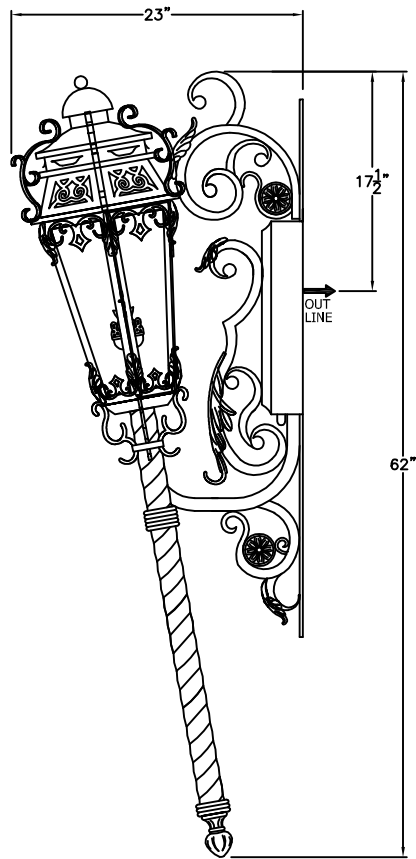
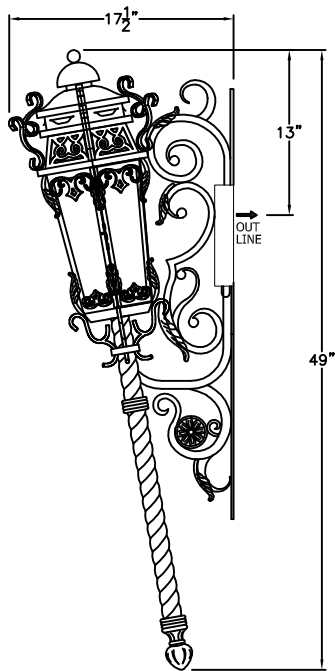
* ACTUAL DIMENSIONS MAY VARY UP TO 1/2"

CUSTOM DRAWING CHANGES:

© 2011 SOLARA ENCHAINMENT
UNAUTHORIZED USE OF THIS
PLAN IS IN VIOLATION OF THE
U.S. COPYRIGHT ACT TITLE 17
OF THE U.S. CODE.



DESIGN:	OLYMPIA
LINE:	PIER MOUNT
FILE:	F-008-06SET-EG-S100-1
DATE REV:	21-JUNE-11



SMALL

F-008-081

13 1/2" W X 49" H X 17 1/2" D

MEDIUM

F-008-082

15" W X 62" H X 23" D

LARGE

F-008-083

17 1/2" W X 69" H X 25 1/2" D

XLARGE

F-008-084

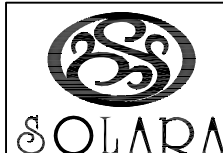
21 1/2" W X 76" H X 29" D

AVAILABLE IN
GAS & ELECTRIC
WITH EXCEPTION
OF SMALL SIZE

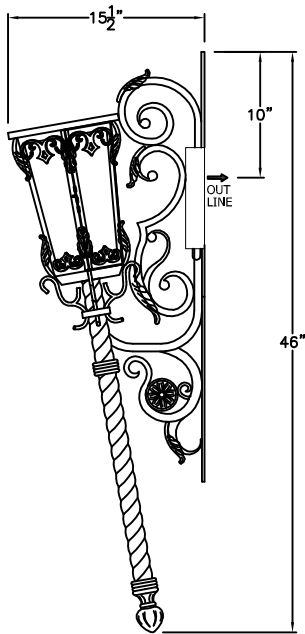
* ACTUAL DIMENSIONS MAY VARY UP TO 1/2"

CUSTOM DRAWING CHANGES:

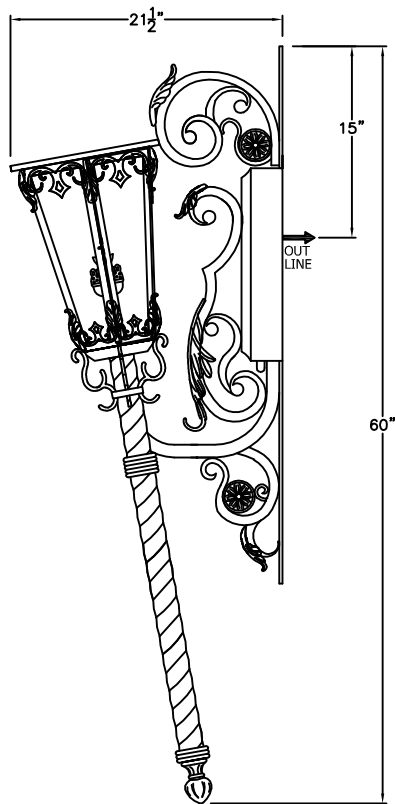
© 2011 SOLARA ENCHAINMENT
UNAUTHORIZED USE OF THIS
PLAN IS IN VIOLATION OF THE
U.S. COPYRIGHT ACT TITLE 17
OF THE U.S. CODE.



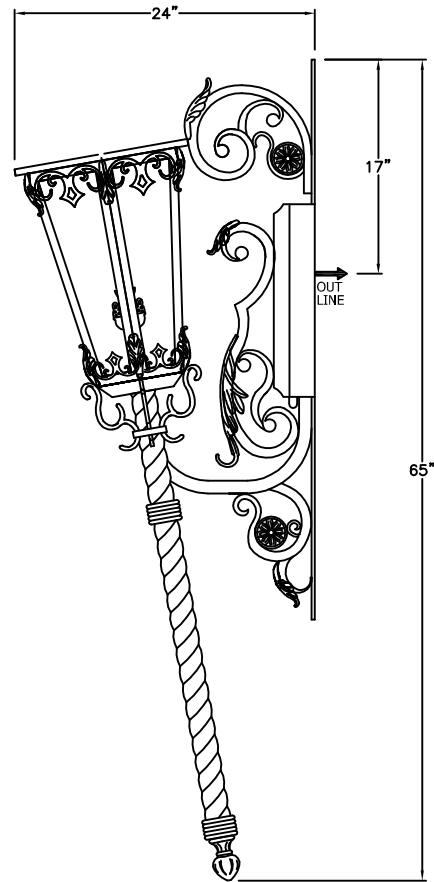
DESIGN:	OLYMPIA
LINE:	TORCH MOUNT
FILE:	F-008-08SET-EG-S100-1
DATE REV:	15-FEB-11



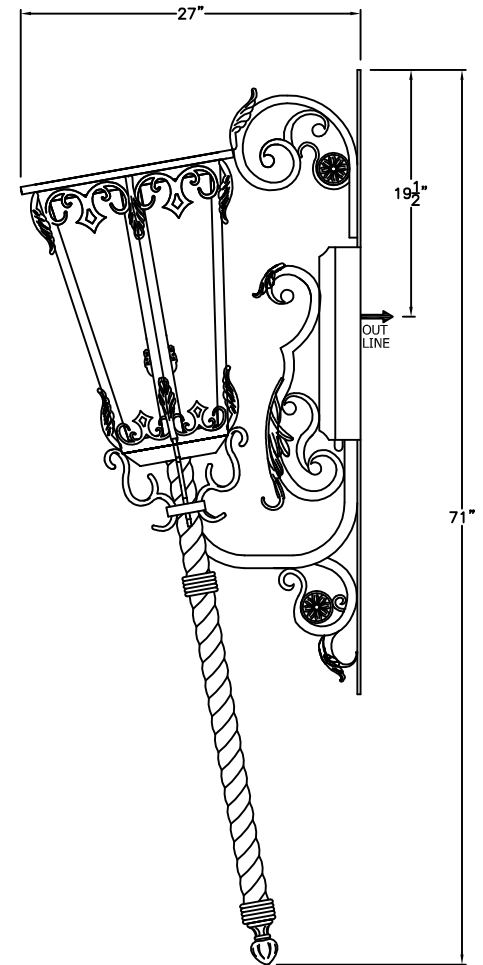
SMALL
F-008-091
10" W X 46" H X 15 1/2" D



MEDIUM
F-008-092
13 1/2" W X 60" H X 21 1/2" D



LARGE
F-008-093
16" W X 65" H X 24" D



XLARGE
F-008-094
19 1/2" W X 71" H X 27" D

AVAILABLE IN
GAS & ELECTRIC
WITH EXCEPTION
OF SMALL SIZE

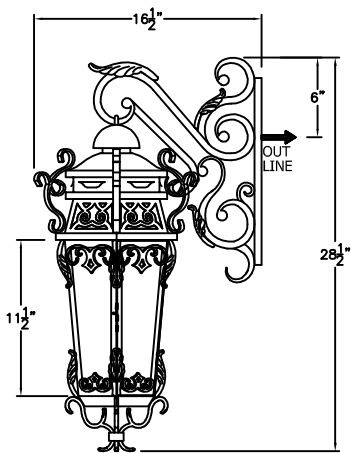
* ACTUAL DIMENSIONS MAY VARY UP TO 1/2"

CUSTOM DRAWING CHANGES:

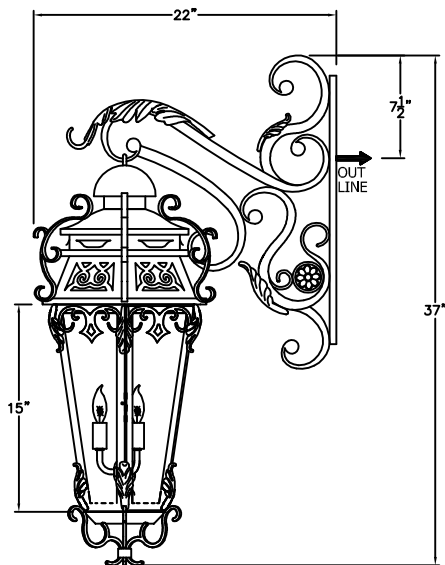
© 2011 SOLARA ENCHAINMENT
UNAUTHORIZED USE OF THIS
PLAN IS IN VIOLATION OF THE
U.S. COPYRIGHT ACT TITLE 17
OF THE U.S. CODE.



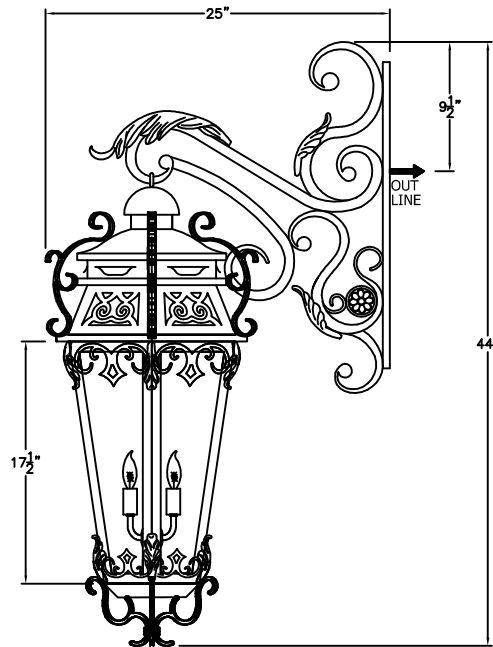
DESIGN:	OLYMPIA
LINE:	TORCH MOUNT
FILE:	F-008-09SET-EG-S100-1
DATE REV:	15-FEB-11



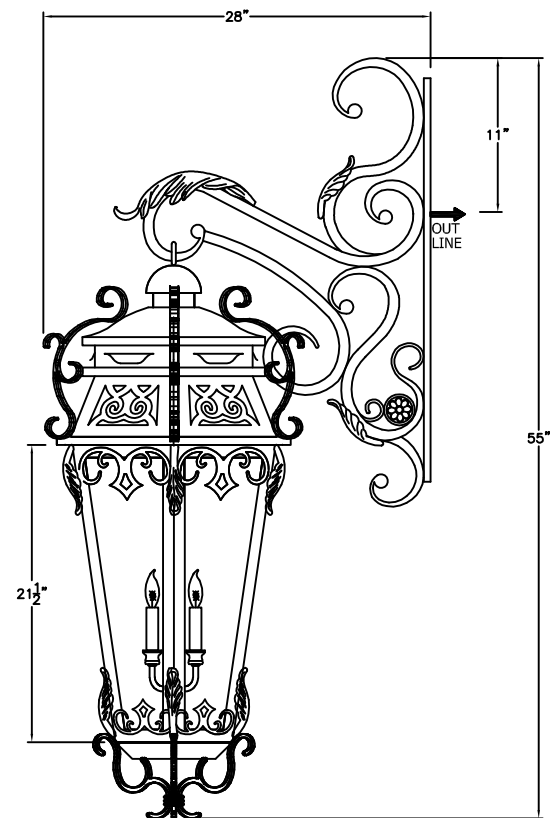
SMALL
F-008-101
13 1/2" W X 28 1/2" H X 16 1/2" D



MEDIUM
F-008-102
15" W X 37" H X 22" D



LARGE
F-008-103
17 1/2" W X 44" H X 25" D



XLARGE
F-008-104
21 1/2" W X 55" H X 28" D

ONLY AVAILABLE
IN ELECTRIC

* ACTUAL DIMENSIONS MAY VARY UP TO 1/2"

CUSTOM DRAWING CHANGES:

© 2011 SOLARA ENCHAINMENT
UNAUTHORIZED USE OF THIS
PLAN IS IN VIOLATION OF THE
U.S. COPYRIGHT ACT TITLE 17
OF THE U.S. CODE.



DESIGN:	OLYMPIA
LINE:	HANGING MOUNT
FILE:	F-008-10SET-EL-S100-1
DATE REV:	18-FEB-11