



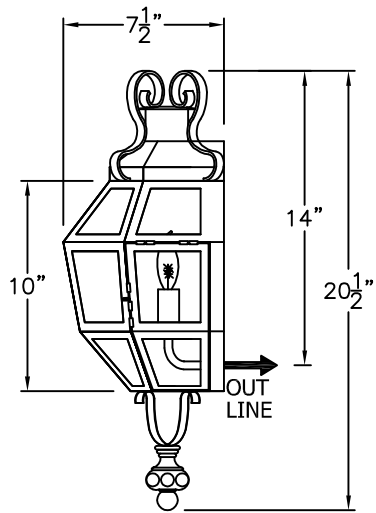
SOLARA

Iron Doors & Lighting



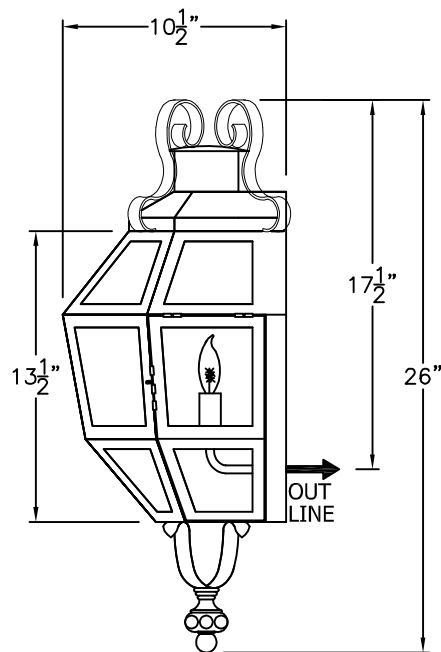
Ritz - F001





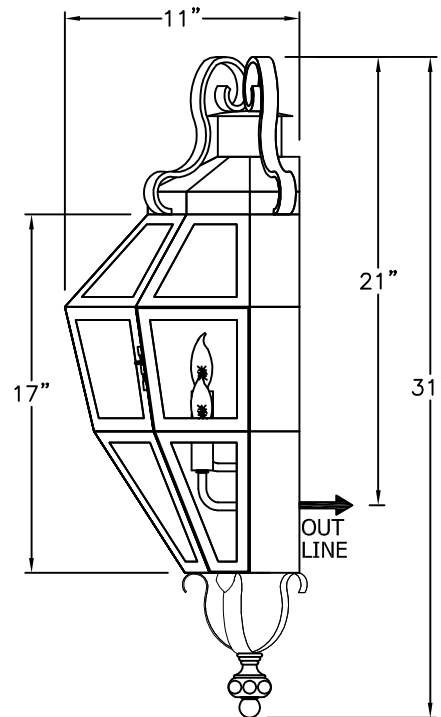
SMALL
F-001-001

9 1/2" W X 20 1/2" H X 7 1/2" D



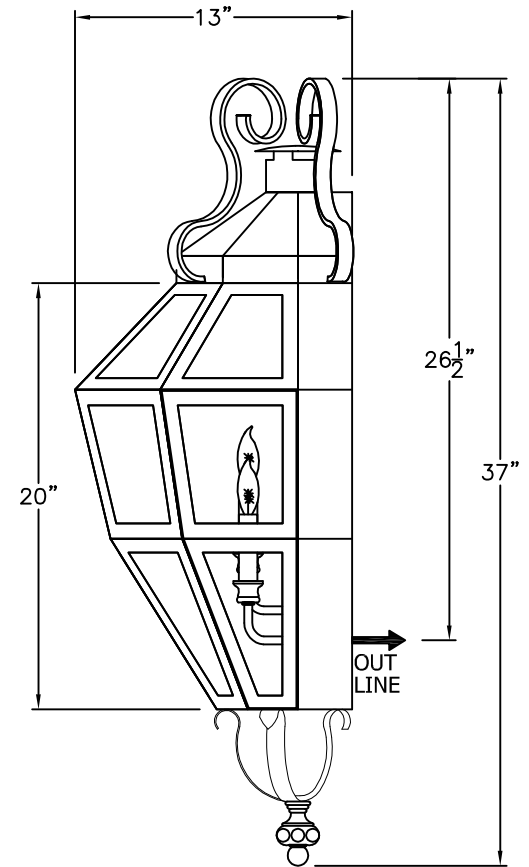
MEDIUM
F-001-002

13 1/2" W X 26 1/2" H X 10 1/2" D



LARGE
F-001-003

18" W X 31" H X 11" D



XLARGE
F-001-004

22" W X 37" H X 13" D

ONLY AVAILABLE
IN ELECTRIC

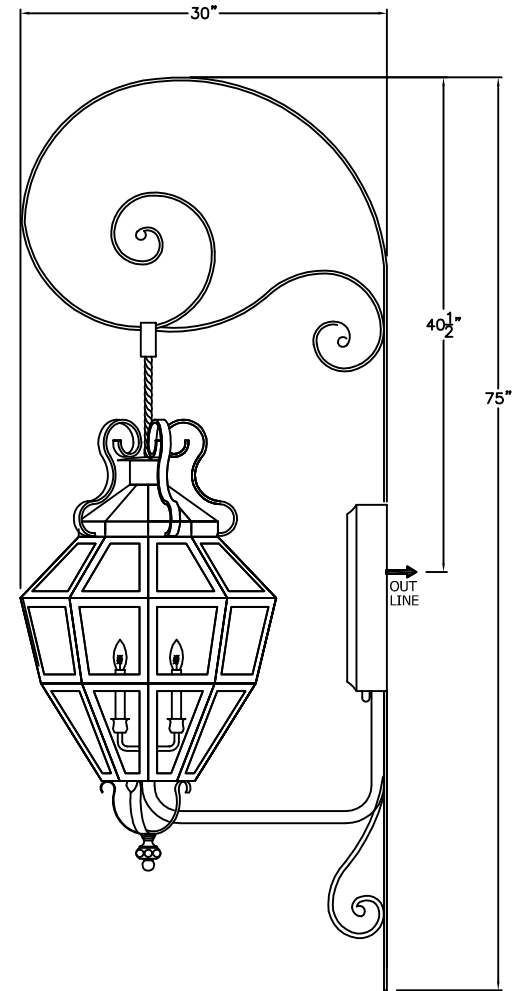
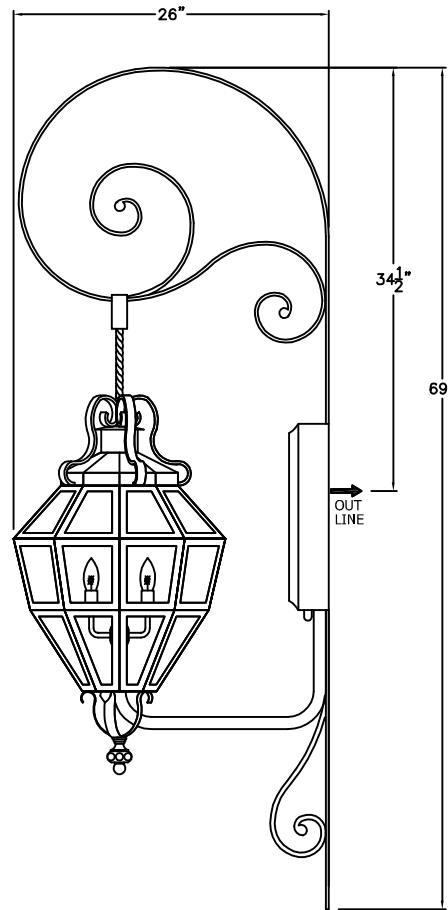
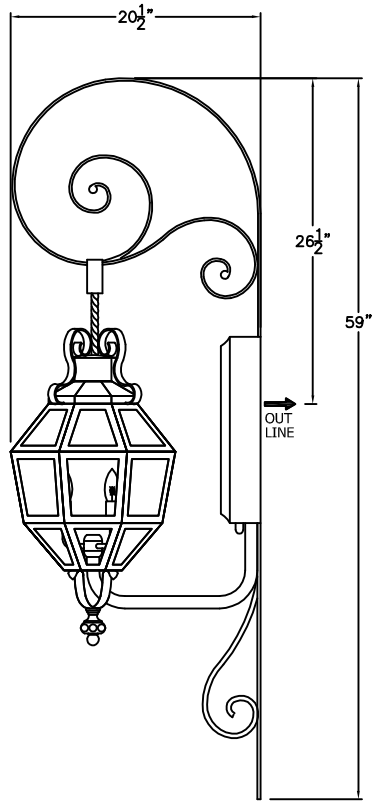
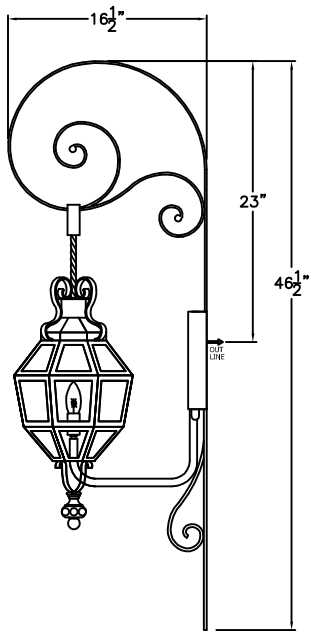
* ACTUAL DIMENSIONS MAY VARY UP TO 1/2"

CUSTOM DRAWING CHANGES:

© 2011 SOLARA ENCHAINMENT
UNAUTHORIZED USE OF THIS
PLAN IS IN VIOLATION OF THE
U.S. COPYRIGHT ACT TITLE 17
OF THE U.S. CODE.



DESIGN:	RITZ
LINE:	SCONCE MOUNT
FILE:	F-001-00SET-EL-S100-1
DATE REV:	24-FEB-11



SMALL
F-001-011
9 1/2" W X 46 1/2" H X 16 1/2" D

MEDIUM
F-001-012
13 1/2" W X 59" H X 20 1/2" D

LARGE
F-001-013
18" W X 69" H X 26" D

XLARGE
F-001-014
22" W X 75" H X 30" D

AVAILABLE IN
GAS & ELECTRIC
WITH EXCEPTION
OF SMALL SIZE

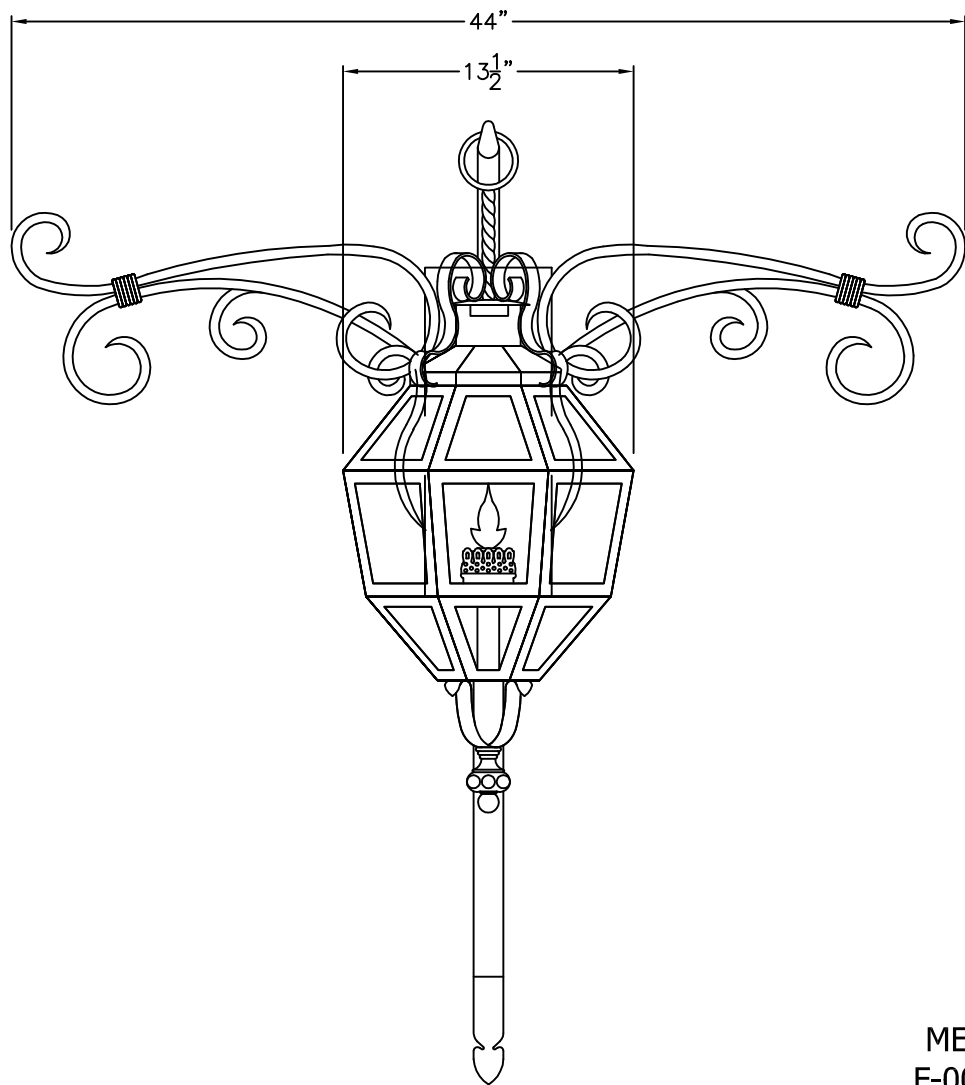
* ACTUAL DIMENSIONS MAY VARY UP TO 1/2"

CUSTOM DRAWING CHANGES:

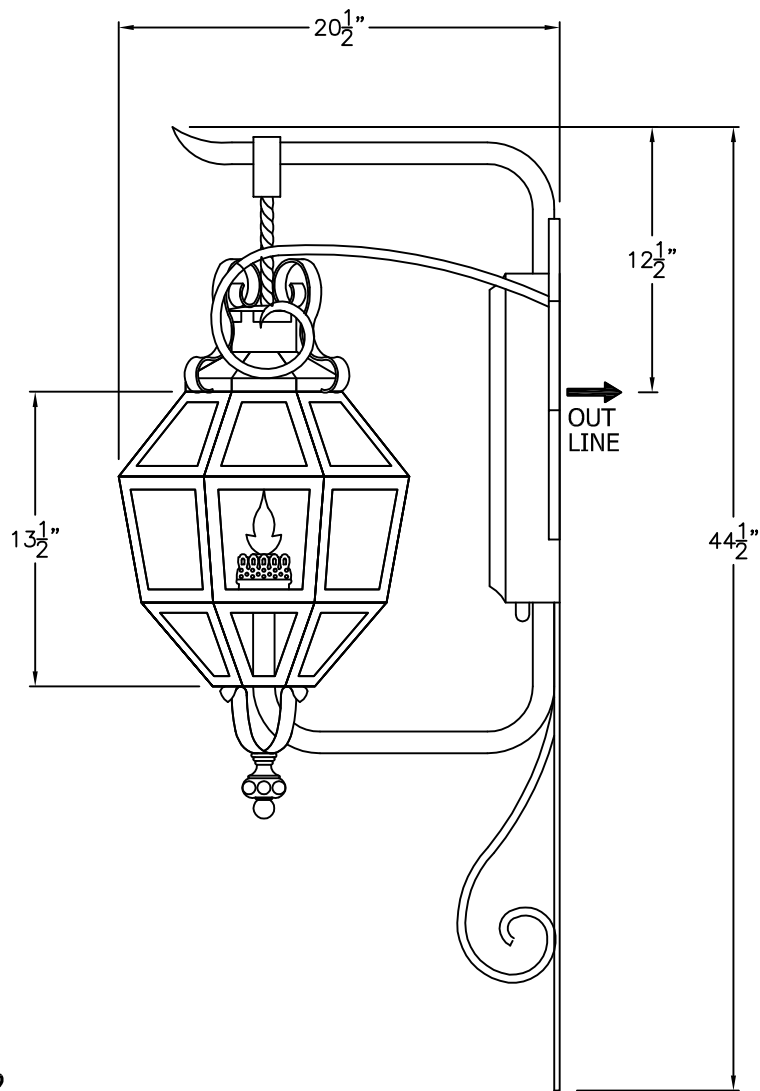
© 2010 SOLARA ENCHAINMENT
UNAUTHORIZED USE OF THIS
PLAN IS IN VIOLATION OF THE
U.S. COPYRIGHT ACT TITLE 17
OF THE U.S. CODE.



DESIGN:	RITZ
LINE:	WALL MOUNT
FILE:	F-001-01SET-EL-S100-1
DATE REV:	28-SEP-10



FRONT VIEW



SIDE VIEW

MEDIUM
 F-001-022
 44" W X 44 1/2" H X 20 1/2" D

AVAILABLE IN
 GAS & ELECTRIC
 WITH EXCEPTION
 OF SMALL SIZE

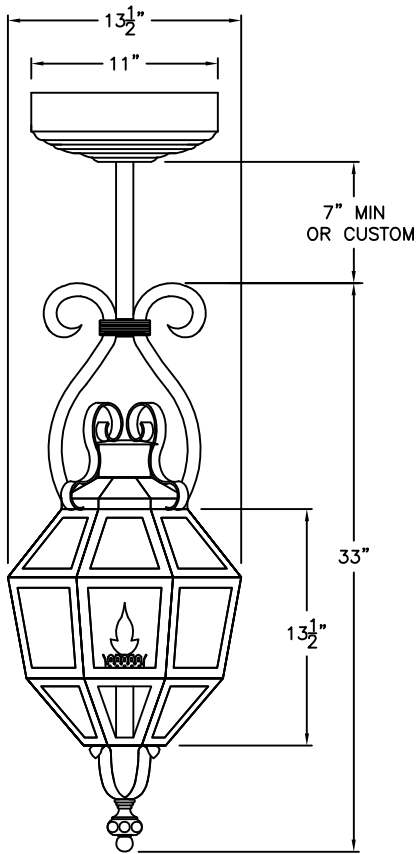
* ACTUAL DIMENSIONS MAY VARY UP TO 1/2"

CUSTOM DRAWING CHANGES:

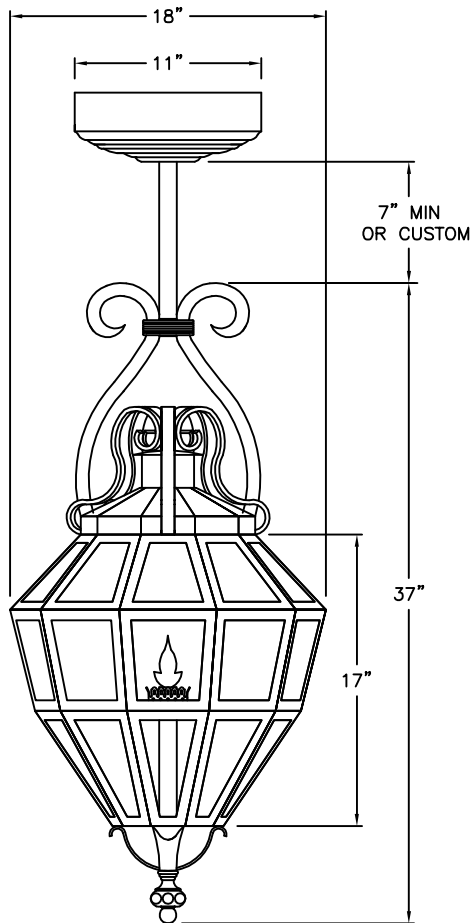
© 2010 SOLARA ENCHAINMENT
 UNAUTHORIZED USE OF THIS
 PLAN IS IN VIOLATION OF THE
 U.S. COPYRIGHT ACT TITLE 17
 OF THE U.S. CODE.



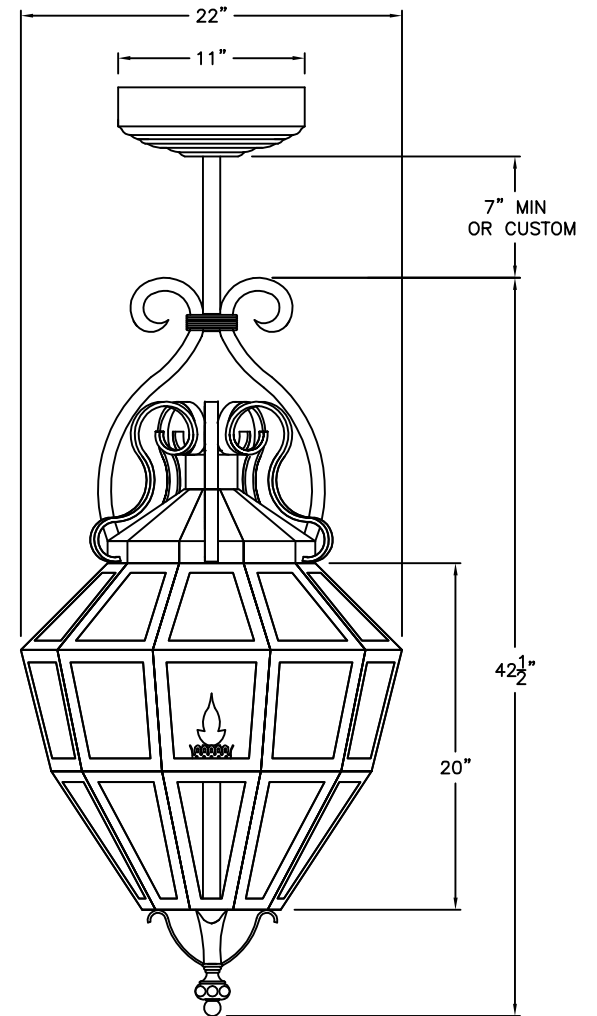
DESIGN:	RITZ
LINE:	CENTRAL MOUNT
FILE:	F-001-022-EG-S100-1
DATE REV :	28-SEP-10



MEDIUM
F-001-032
13 1/2" W X 33" H



LARGE
F-001-033
18" W X 37" H



XLARGE
F-001-034
22" W X 42 1/2" H

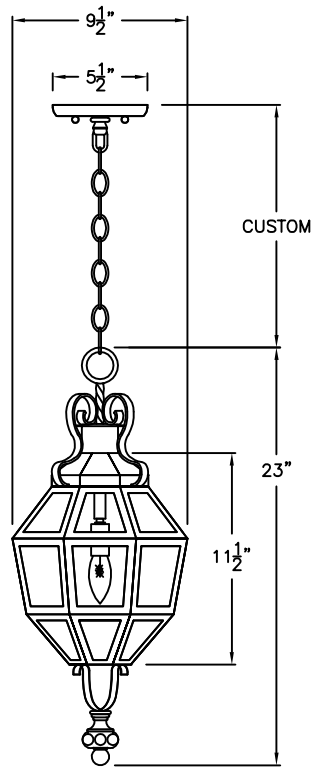
AVAILABLE IN
GAS & ELECTRIC
WITH EXCEPTION
OF SMALL SIZE

CUSTOM DRAWING CHANGES:

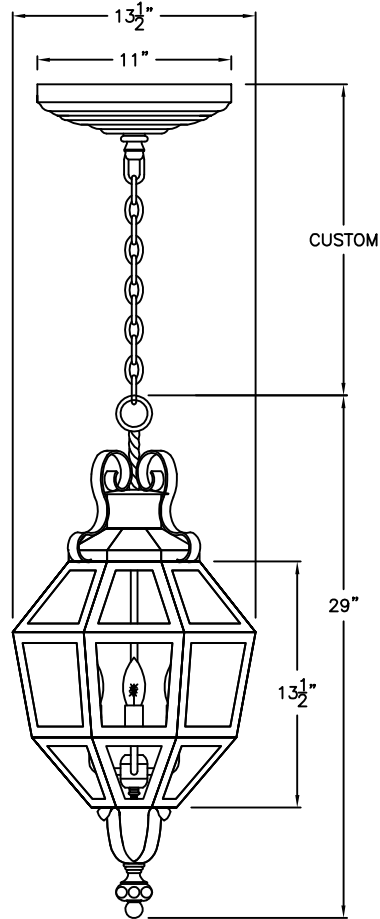
© 2010 SOLARA ENCHAINMENT
UNAUTHORIZED USE OF THIS
PLAN IS IN VIOLATION OF THE
U.S. COPYRIGHT ACT TITLE 17
OF THE U.S. CODE.



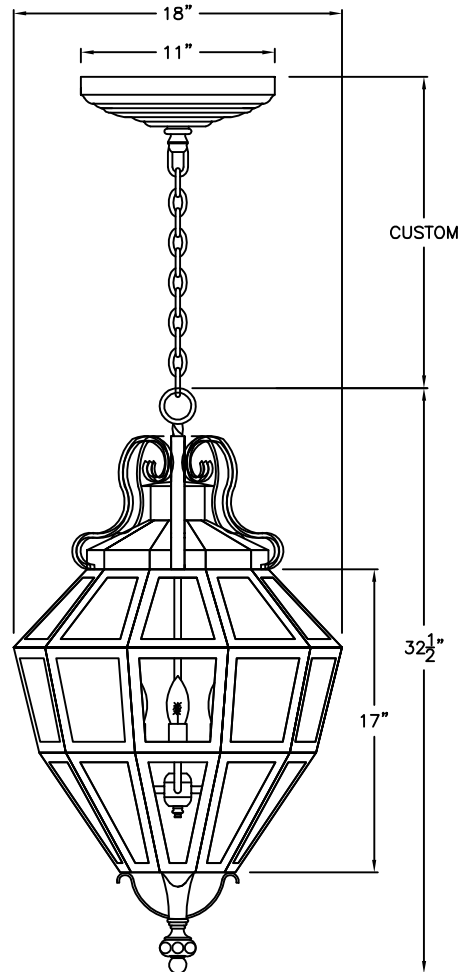
DESIGN:	RITZ
LINE:	PENDANT STEM
FILE:	F-001-03SET-EG-S100-1
DATE REV:	28-SEP-10



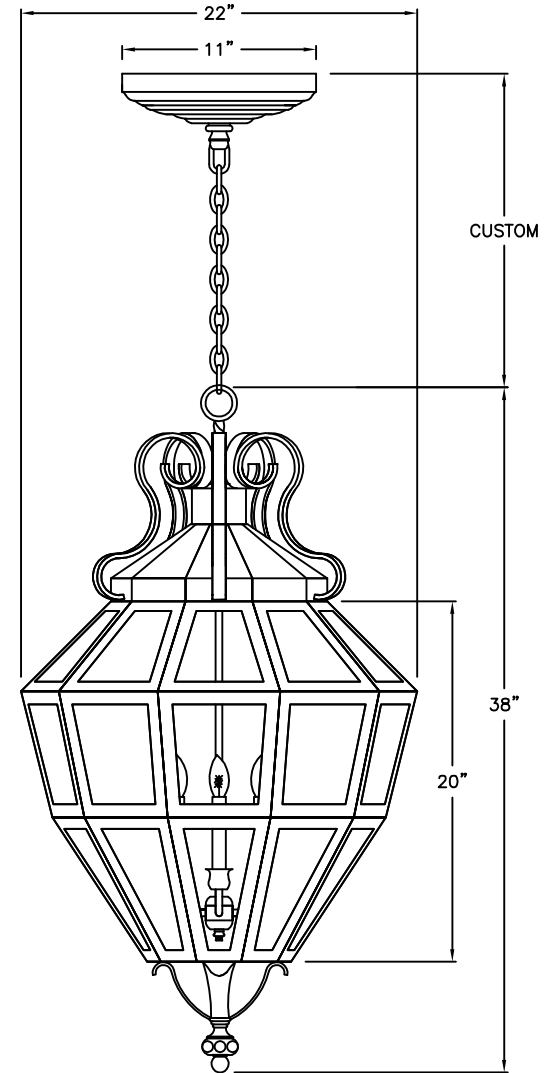
SMALL
F-001-041
9 1/2" W X 23" H



MEDIUM
F-001-042
13 1/2" W X 29" H



LARGE
F-001-043
18" W X 32 1/2" H



XLARGE
F-001-044
22" W X 38" H

**ONLY AVAILABLE
IN ELECTRIC**

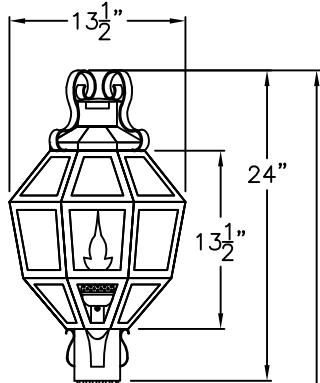
* ACTUAL DIMENSIONS MAY VARY UP TO 1/2"

CUSTOM DRAWING CHANGES:

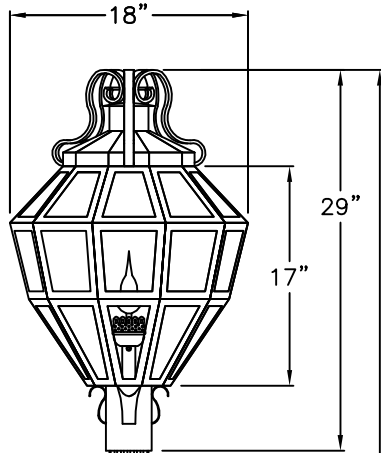
© 2010 SOLARA ENCHAINMENT
UNAUTHORIZED USE OF THIS
PLAN IS IN VIOLATION OF THE
U.S. COPYRIGHT ACT TITLE 17
OF THE U.S. CODE.



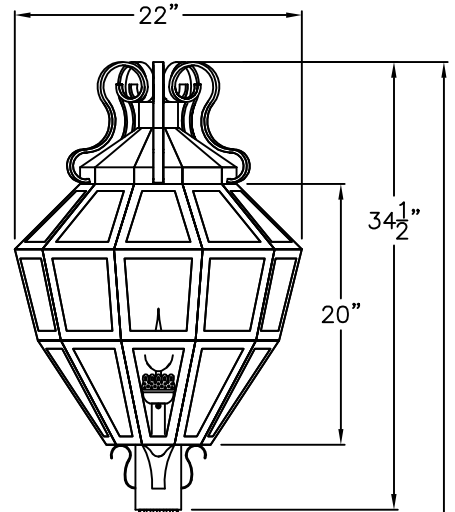
DESIGN:	RITZ
LINE:	PENDANT CHAIN
FILE:	F-001-04SET-EL-S100-1
DATE REV:	28-SEP-10



MEDIUM
F-001-052
13 1/2" W X 24" H



LARGE
F-001-053
18" W X 29" H

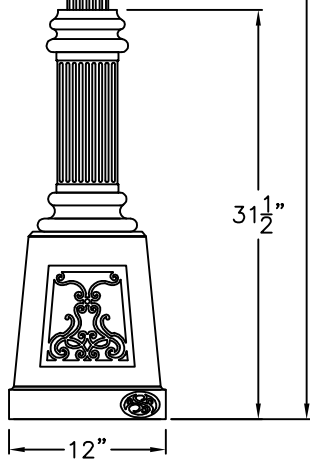


XLARGE
F-001-054
22" W X 34 1/2" H

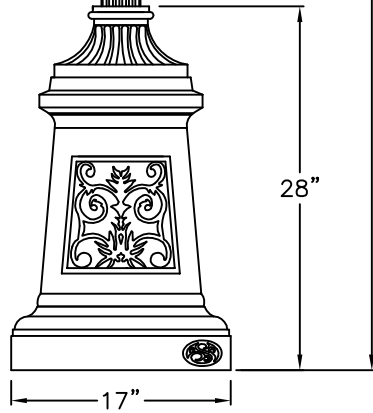
8' MIN
or Custom

8' MIN
or Custom

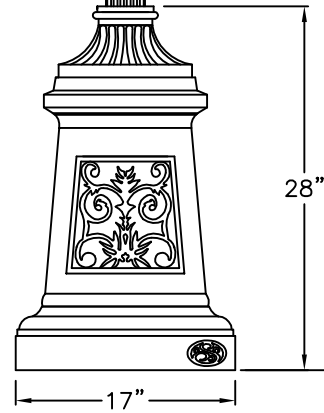
8' MIN
or Custom



SOLARA BASE



MUNICH BASE



AVAILABLE IN
GAS & ELECTRIC
WITH EXCEPTION
OF SMALL SIZE

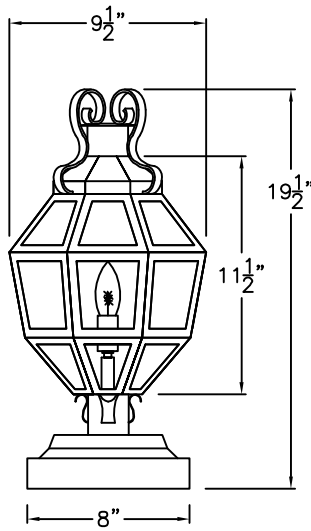
* POST ARE SOLD SEPARATELY
* ACTUAL DIMENSIONS MAY VARY UP TO 1/2"

CUSTOM DRAWING CHANGES:

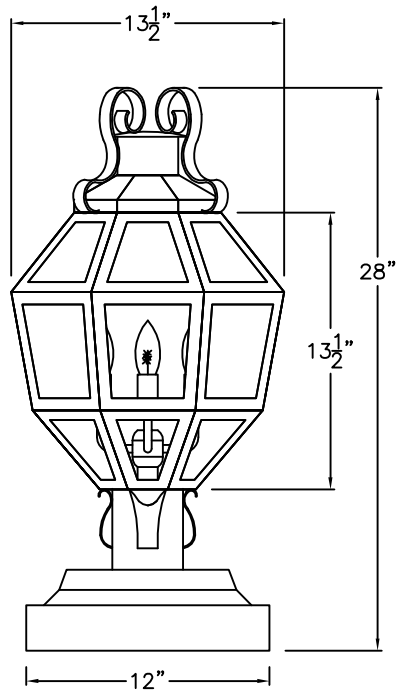
© 2010 SOLARA ENCHAINMENT
UNAUTHORIZED USE OF THIS
PLAN IS IN VIOLATION OF THE
U.S. COPYRIGHT ACT TITLE 17
OF THE U.S. CODE



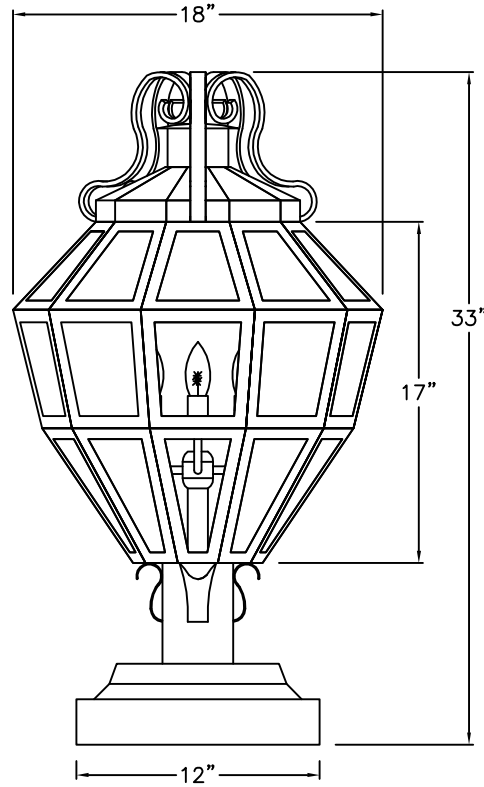
DESIGN: RITZ
LINE: POST MOUNT
FILE: F-001-05SET-EG-S100-1
DATE REV: 28-SEP-10



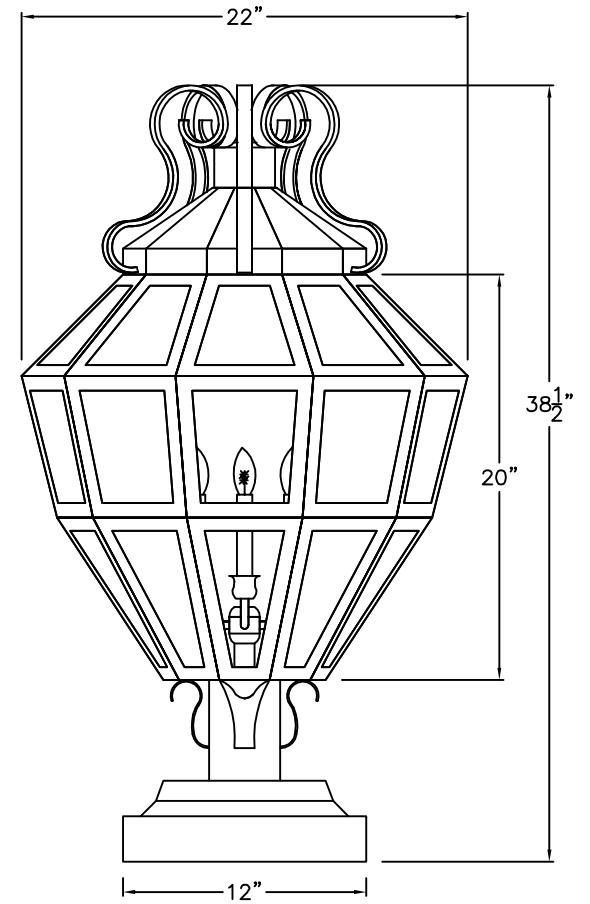
SMALL
F-001-061
9 1/2" W X 19 1/2" H



MEDIUM
F-001-062
13 1/2" W X 28" H



LARGE
F-001-063
18" W X 33" H



XLARGE
F-001-064
22" W X 38 1/2" H

AVAILABLE IN
GAS & ELECTRIC
WITH EXCEPTION
OF SMALL SIZE

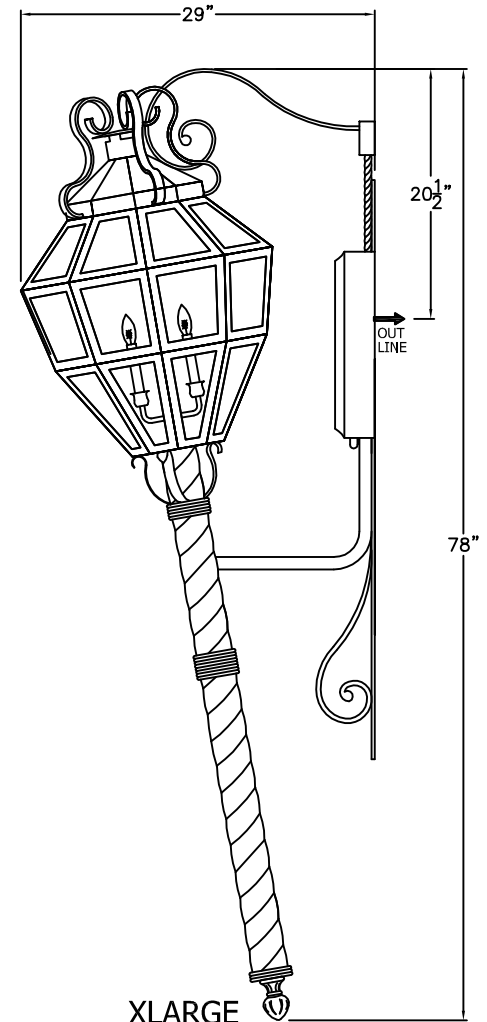
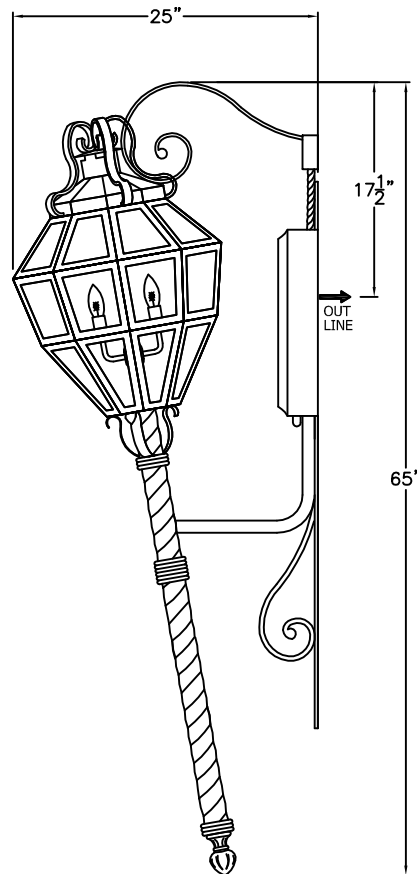
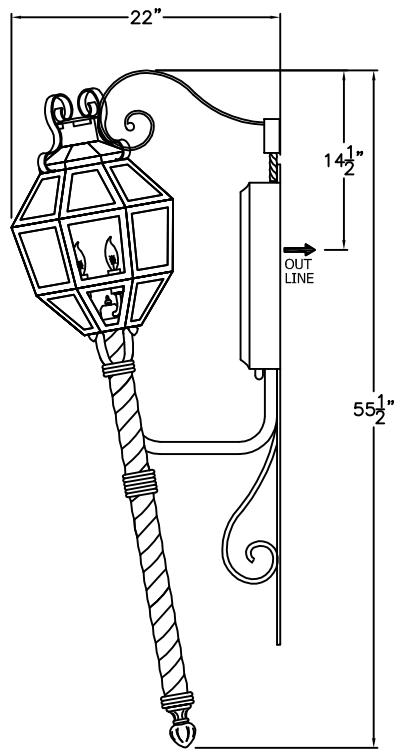
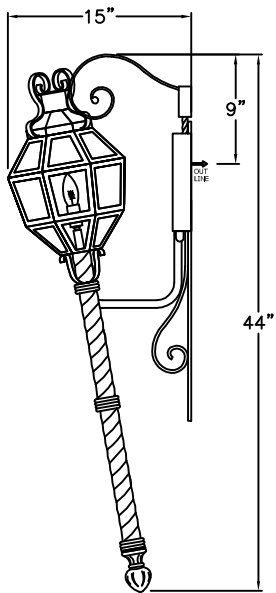
* ACTUAL DIMENSIONS MAY VARY UP TO 1/2"

CUSTOM DRAWING CHANGES:

© 2010 SOLARA ENCHAINMENT
UNAUTHORIZED USE OF THIS
PLAN IS IN VIOLATION OF THE
U.S. COPYRIGHT ACT TITLE 17
OF THE U.S. CODE.



DESIGN:	RITZ
LINE:	PIER MOUNT
FILE:	F-001-06SET-EL-S100-1
DATE REV:	28-SEP-10



SMALL
F-001-081

9 1/2" W X 44" H X 15" D

MEDIUM
F-001-082

13 1/2" W X 55 1/2" H X 22" D

LARGE
F-001-083

18" W X 65" H X 25" D

XLARGE
F-001-084

22" W X 78" H X 29" D

AVAILABLE IN
GAS & ELECTRIC
WITH EXCEPTION
OF SMALL SIZE

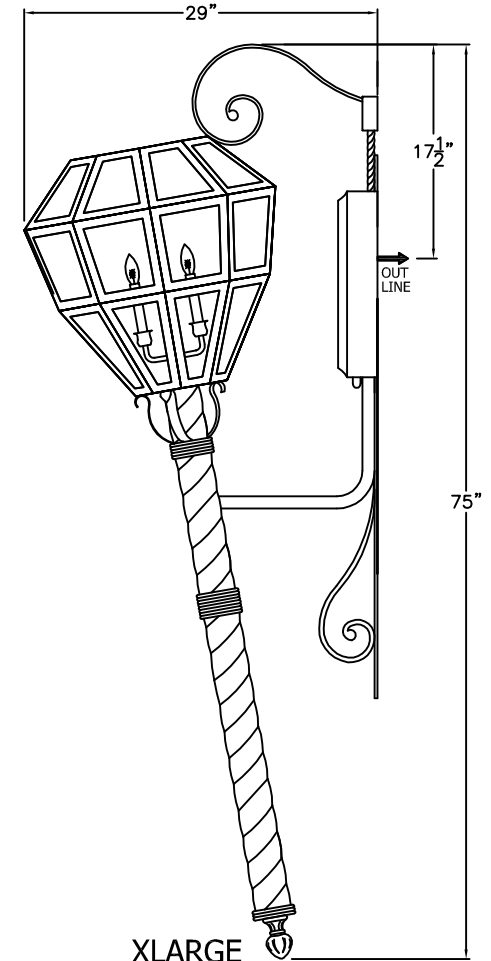
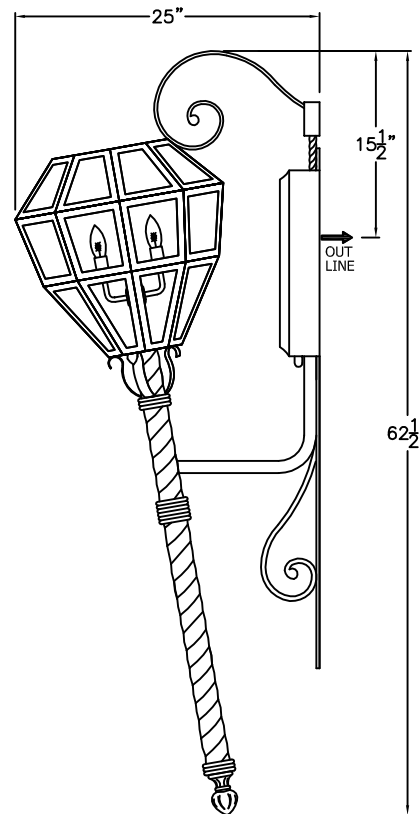
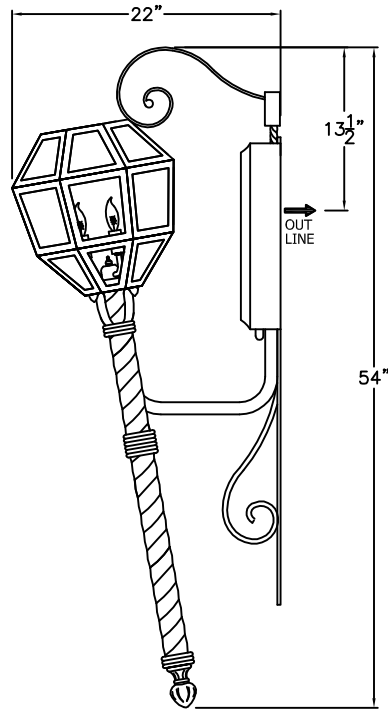
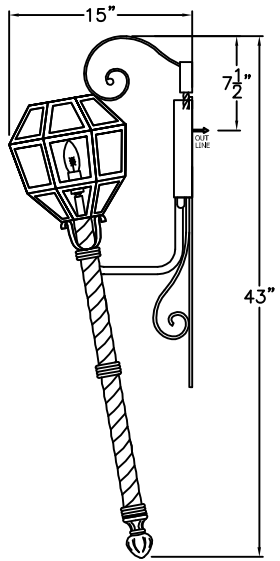
* ACTUAL DIMENSIONS MAY VARY UP TO 1/2"

CUSTOM DRAWING CHANGES:

© 2010 SOLARA ENCHAINMENT
UNAUTHORIZED USE OF THIS
PLAN IS IN VIOLATION OF THE
U.S. COPYRIGHT ACT TITLE 17
OF THE U.S. CODE.



DESIGN:	RITZ
LINE:	TORCH MOUNT
FILE:	F-001-08SET-EL-S100-1
DATE REV:	28-SEP-10



SMALL
F-001-091

9 1/2" W X 43" H X 15" D

MEDIUM
F-001-092

13 1/2" W X 54" H X 22" D

LARGE
F-001-093

18" W X 62 1/2" H X 25" D

XLARGE
F-001-094

22" W X 75" H X 29" D

AVAILABLE IN
GAS & ELECTRIC
WITH EXCEPTION
OF SMALL SIZE

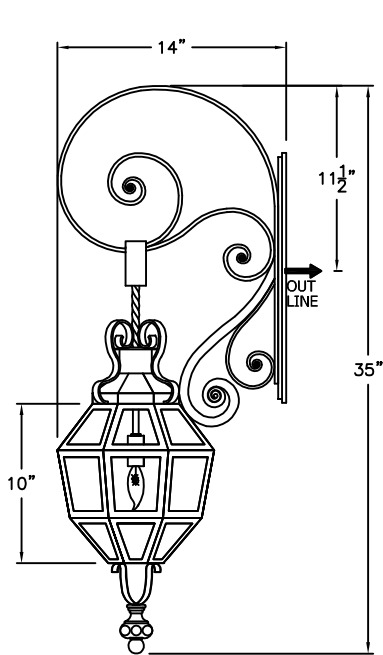
* ACTUAL DIMENSIONS MAY VARY UP TO 1/2"

CUSTOM DRAWING CHANGES:

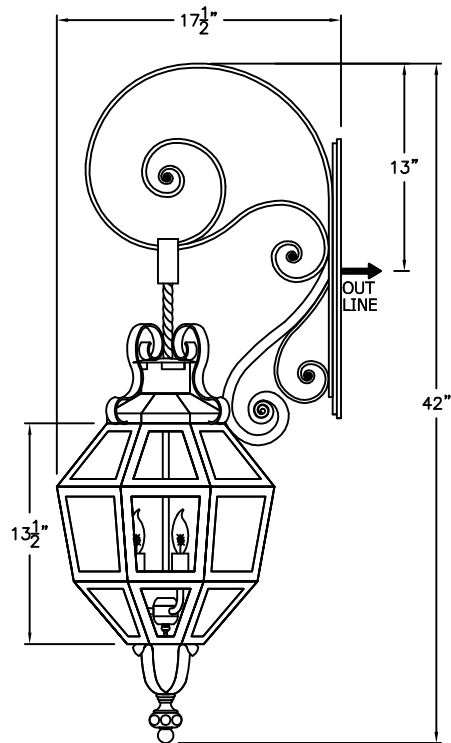
© 2010 SOLARA ENCHAINMENT
UNAUTHORIZED USE OF THIS
PLAN IS IN VIOLATION OF THE
U.S. COPYRIGHT ACT TITLE 17
OF THE U.S. CODE.



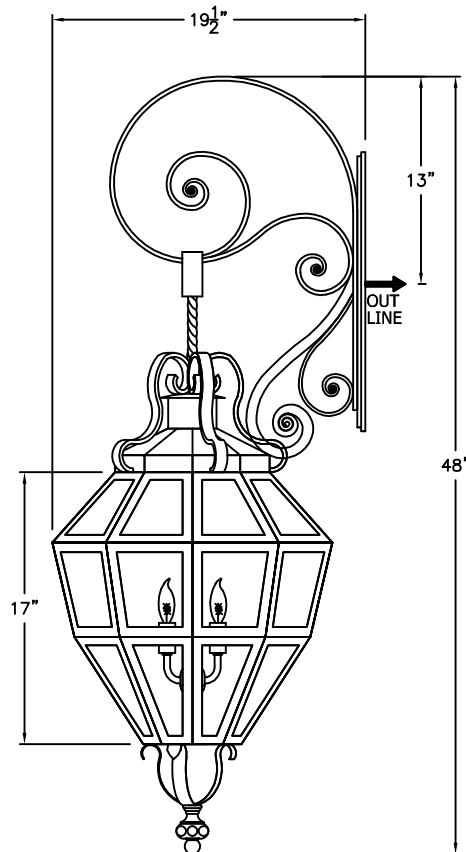
DESIGN:	RITZ
LINE:	TORCH MOUNT
FILE:	F-001-09SET-EL-S100-1
DATE REV:	24-FEB-11



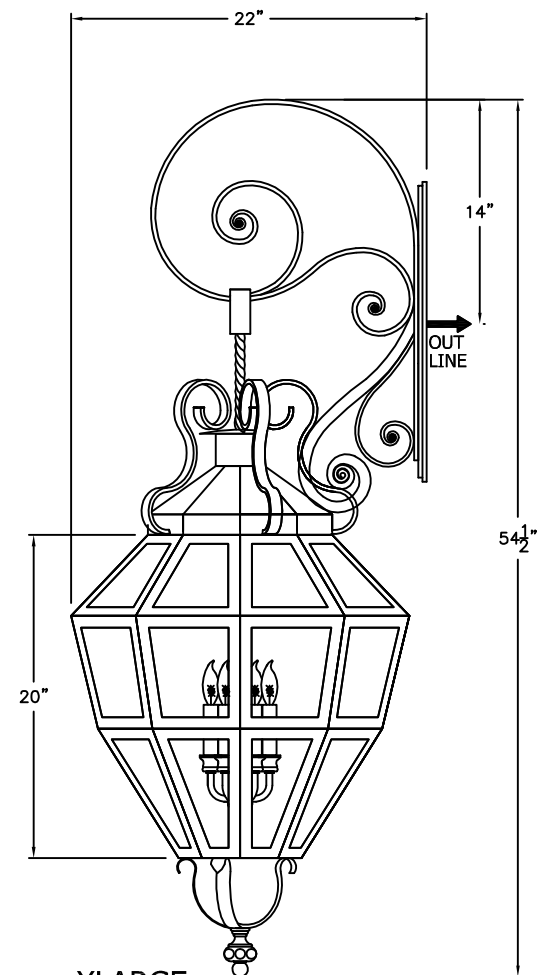
SMALL
F-001-101
9 1/2" W X 35" H X 14" D



MEDIUM
F-001-102
13 1/2" W X 42" H X 17 1/2" D



LARGE
F-001-103
18" W X 48" H X 19 1/2" D



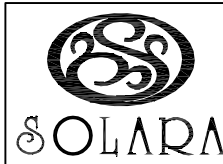
XLARGE
F-001-104
22" W X 54 1/2" H X 22" D

ONLY AVAILABLE
IN ELECTRIC

* ACTUAL DIMENSIONS MAY VARY UP TO 1/2"

CUSTOM DRAWING CHANGES:

© 2011 SOLARA ENCHAINMENT
UNAUTHORIZED USE OF THIS
PLAN IS IN VIOLATION OF THE
U.S. COPYRIGHT ACT TITLE 17
OF THE U.S. CODE.



DESIGN:	RITZ
LINE:	HANGING BRACKET
FILE:	F-001-10SET-EL-S100-1
DATE REV:	24-FEB-11