



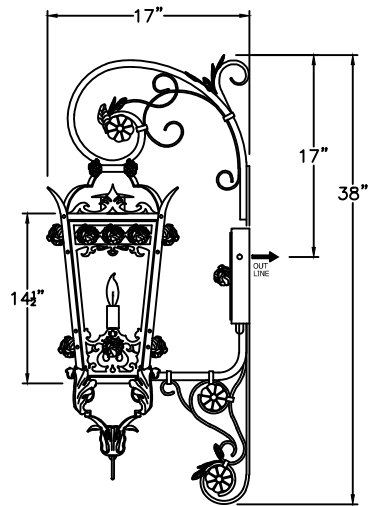
SOLARA

Iron Doors & Lighting

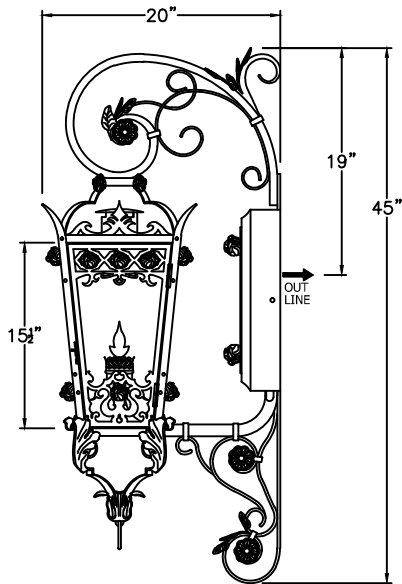


Rosette - F013

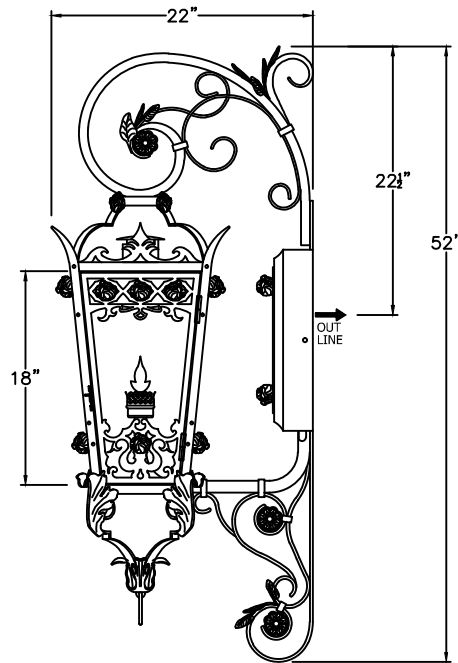




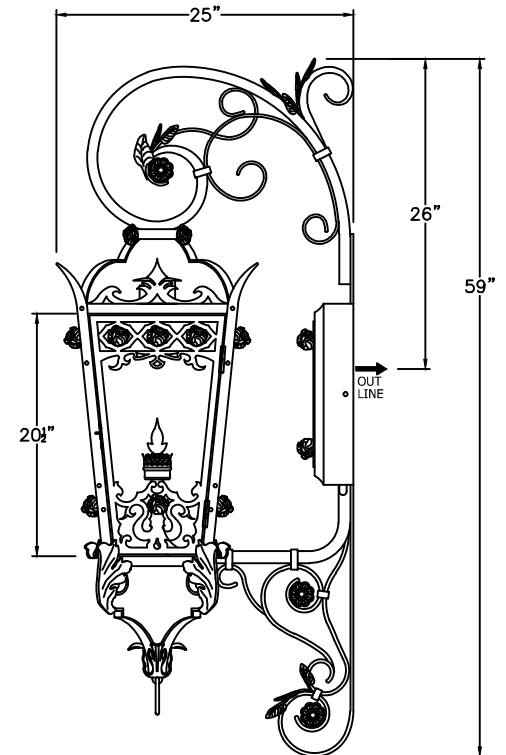
SMALL
F-013-011
11" W X 38" H X 17" D



MEDIUM
F-013-012
13" W X 45" H X 20" D



LARGE
F-013-013
15" W X 52" H X 22" D



X-LARGE
F-013-014
17" W X 59" H X 25" D

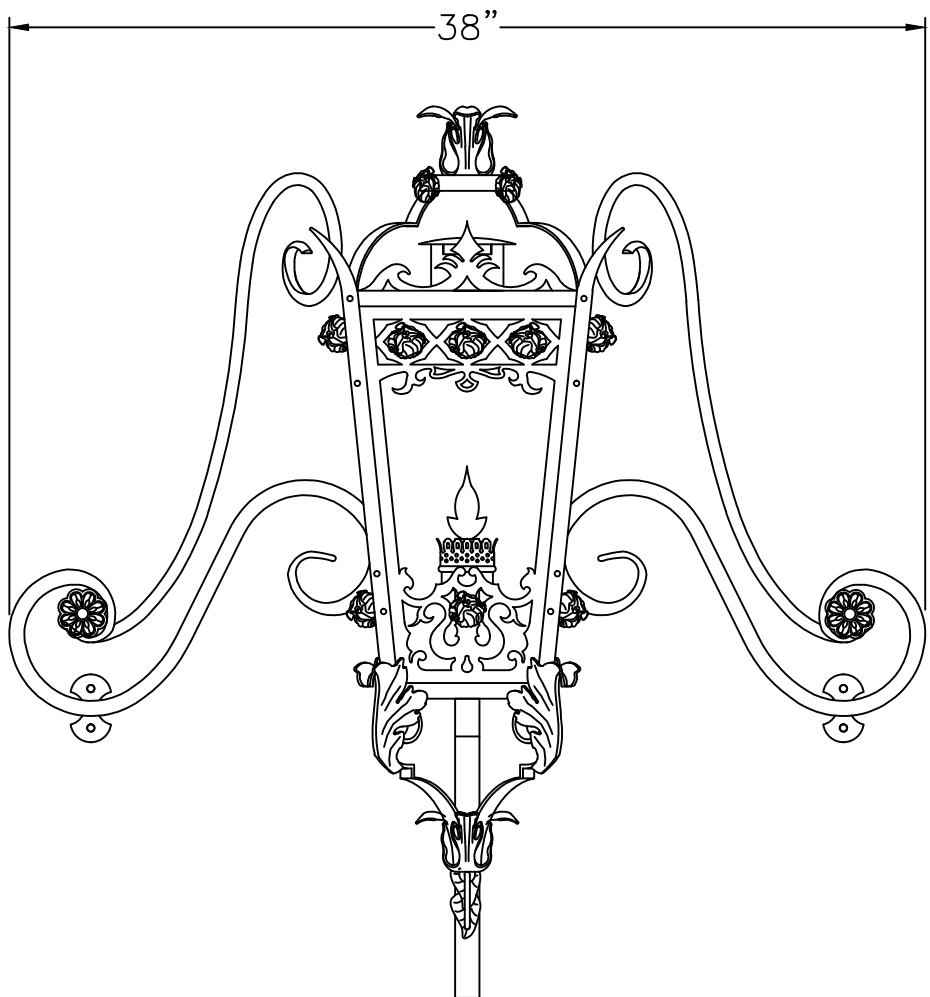
AVAILABLE IN
GAS & ELECTRIC
WITH EXCEPTION
OF SMALL SIZE

CUSTOM DRAWING CHANGES:

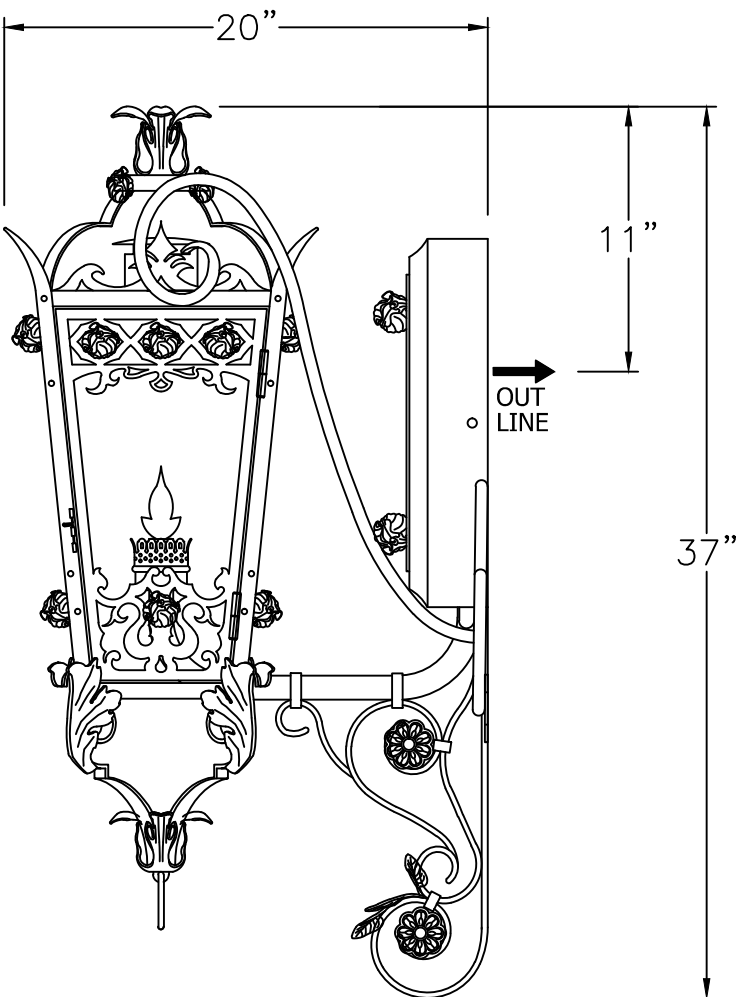
© 2013 SOLARA ENCHAINMENT
UNAUTHORIZED USE OF THIS
PLAN IS IN VIOLATION OF THE
U.S. COPYRIGHT ACT TITLE 17
OF THE U.S. CODE.



DESIGN:	ROSETTE
LINE:	WALL MOUNT
FILE:	F-013-01SET-EG-S100-1
DATE REV:	13-MAY-14



FRONT VIEW



SIDE VIEW

AVAILABLE IN
GAS & ELECTRIC
WITH EXCEPTION
OF SMALL SIZE

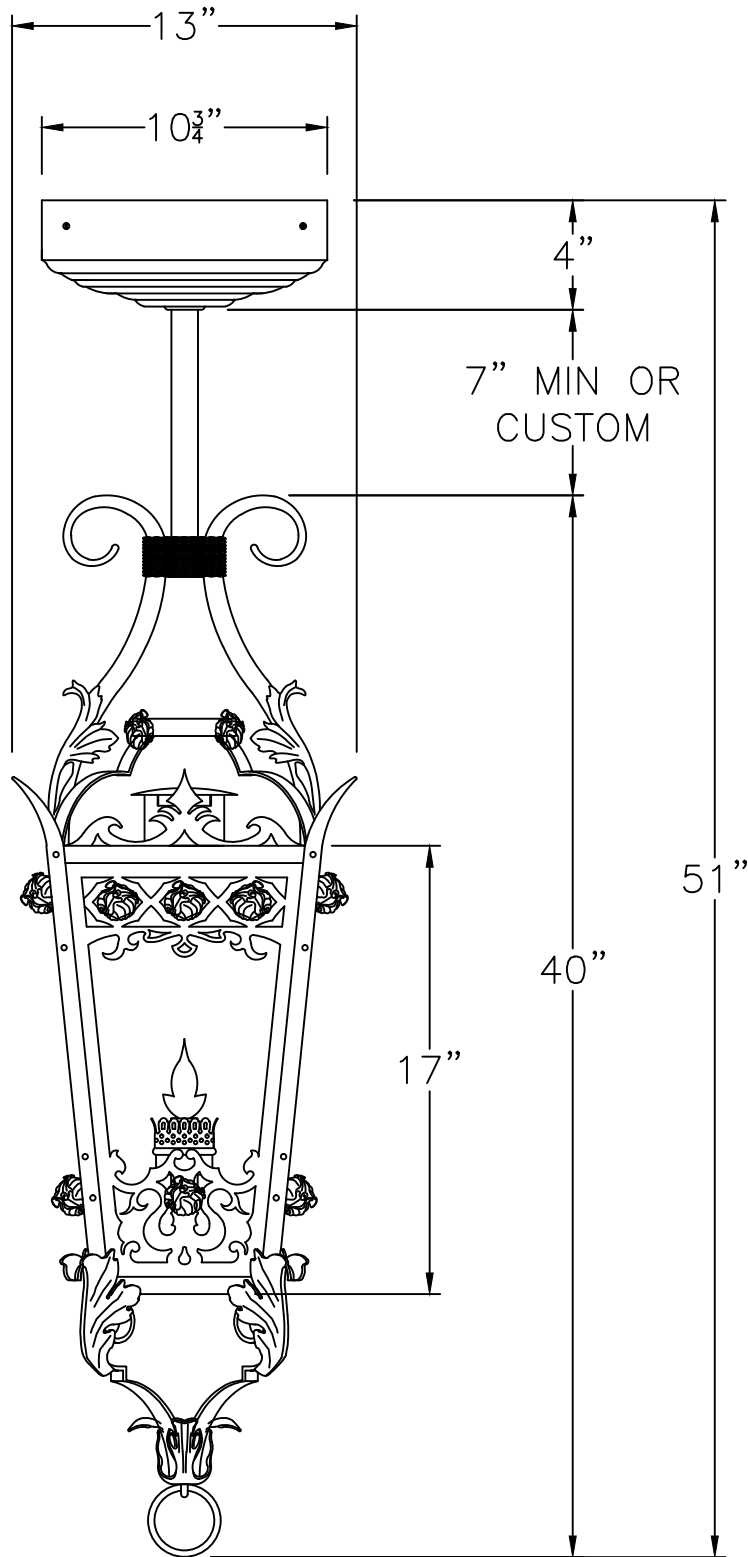
MEDIUM
F-013-022
38" W X 37" H X 20" D

CUSTOM DRAWING CHANGES:

© 2013 SOLARA ENCHAINMENT
UNAUTHORIZED USE OF THIS
PLAN IS IN VIOLATION OF THE
U.S. COPYRIGHT ACT TITLE 17
OF THE U.S. CODE.



DESIGN:	ROSETTE
LINE:	CENTRAL MOUNT
FILE:	F-013-022-EG-S100-1
DATE REV:	13-MAY-14



AVAILABLE IN
GAS & ELECTRIC
WITH EXCEPTION
OF SMALL SIZE

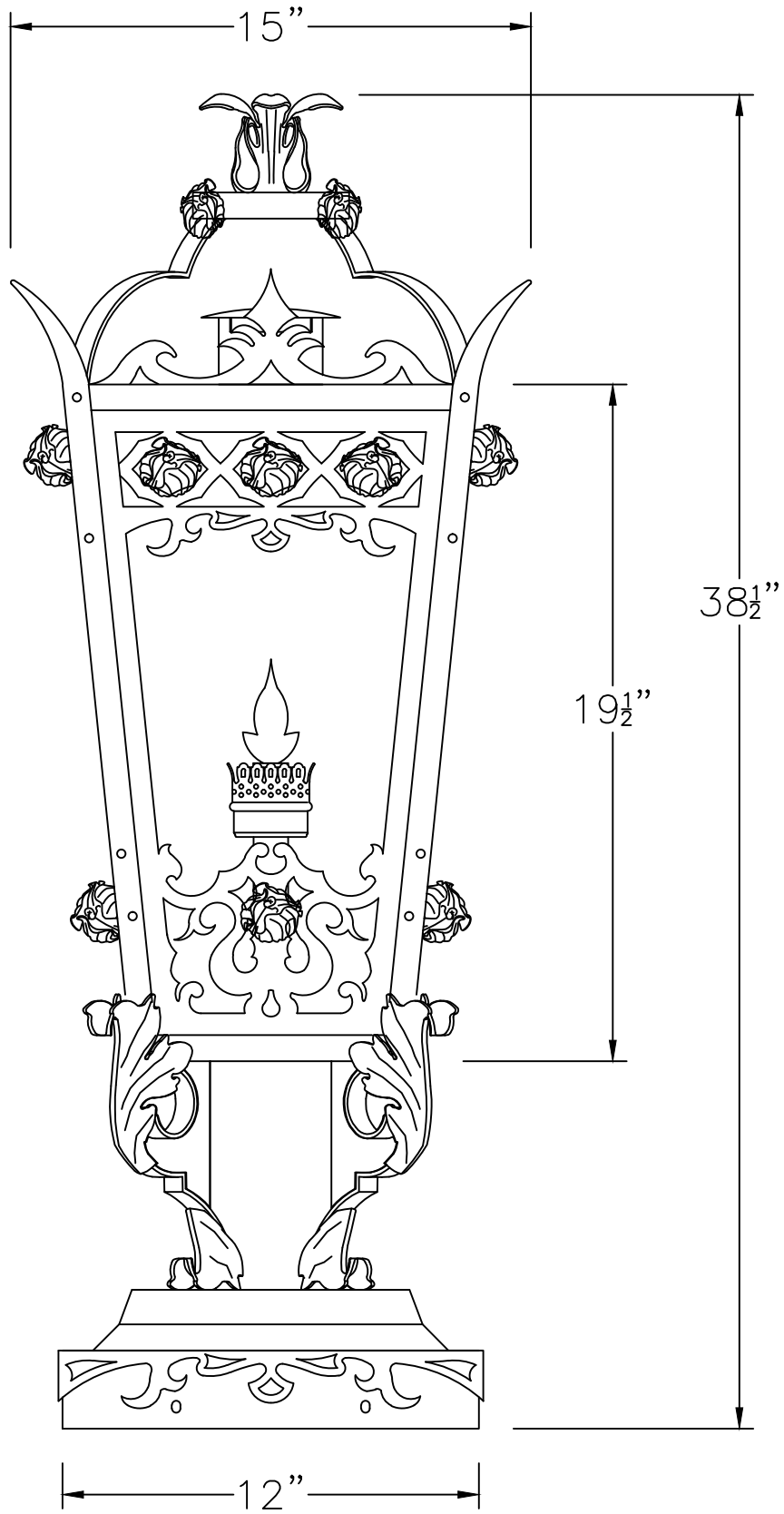
MEDIUM
F-013-032
13" W X 40" H

CUSTOM DRAWING CHANGES:

© 2013 SOLARA ENCHAINMENT
UNAUTHORIZED USE OF THIS
PLAN IS IN VIOLATION OF THE
U.S. COPYRIGHT ACT TITLE 17
OF THE U.S. CODE.



DESIGN:	ROSETTE
LINE:	PENDANT STEM
FILE:	F-013-032-EG-S100-1
DATE REV:	02-DEC-13



AVAILABLE IN
GAS & ELECTRIC
WITH EXCEPTION
OF SMALL SIZE

LARGE
F-013-063
15" W X 38 $\frac{1}{2}$ " H

CUSTOM DRAWING CHANGES:

© 2013 SOLARA ENCHAINMENT
UNAUTHORIZED USE OF THIS
PLAN IS IN VIOLATION OF THE
U.S. COPYRIGHT ACT TITLE 17
OF THE U.S. CODE.



DESIGN:	ROSETTE
LINE:	PIER MOUNT
FILE:	F-013-063-EG-S100-1
DATE REV :	28-OCT-10