



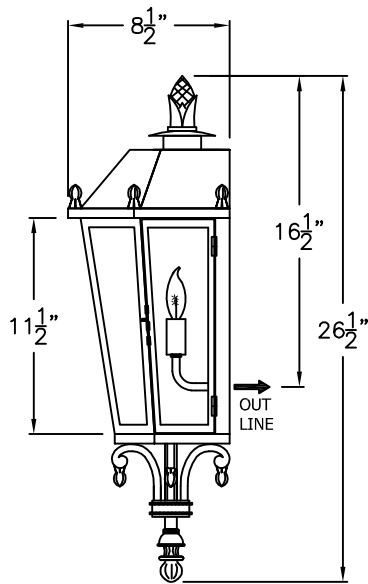
SOLARA

Iron Doors & Lighting

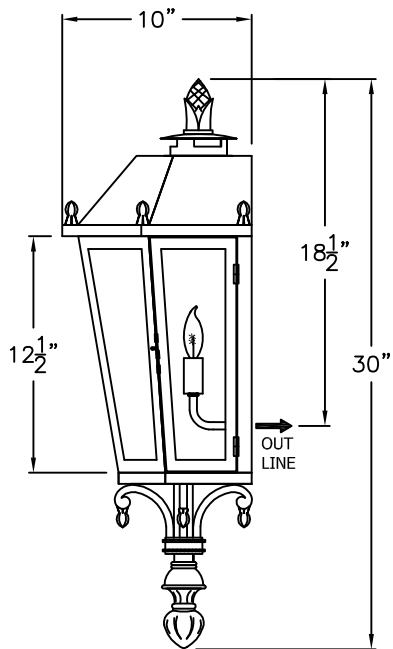


Sicilia - E004

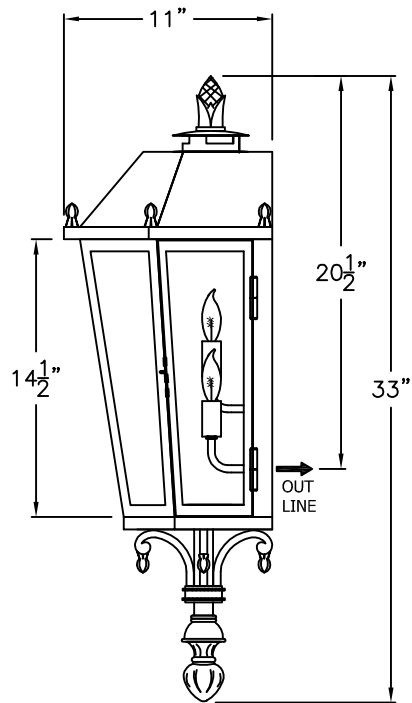




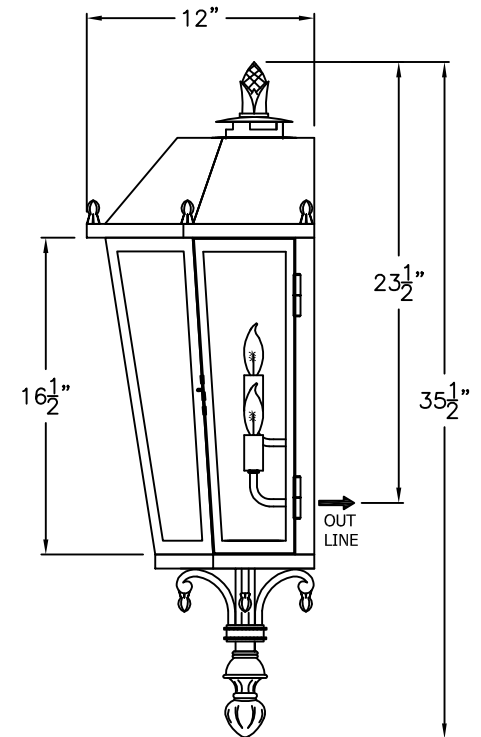
SMALL
E-004-001
12" W x 26 1/2" H x 8 1/2" D



MEDIUM
E-004-002
14 1/2" W x 30" H x 10" D



LARGE
E-004-003
15 1/2" W x 33" H x 11" D



X-LARGE
E-004-004
18 1/2" W x 35 1/2" H x 12" D

ONLY AVAILABLE
IN ELECTRIC

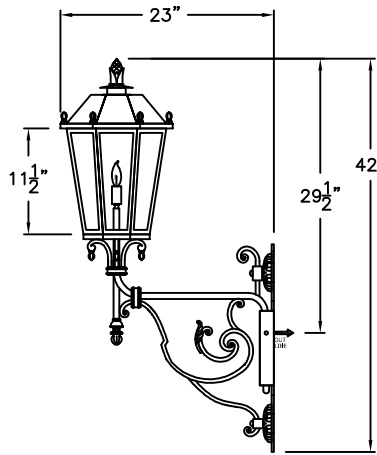
* ACTUAL DIMENSIONS MAY VARY UP TO 1/2"

CUSTOM DRAWING CHANGES:

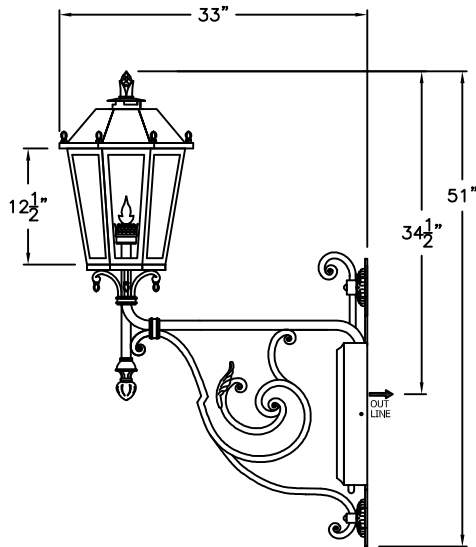
© 2010 SOLARA ENCHAINMENT
UNAUTHORIZED USE OF THIS
PLAN IS IN VIOLATION OF THE
U.S. COPYRIGHT ACT TITLE 17
OF THE U.S. CODE



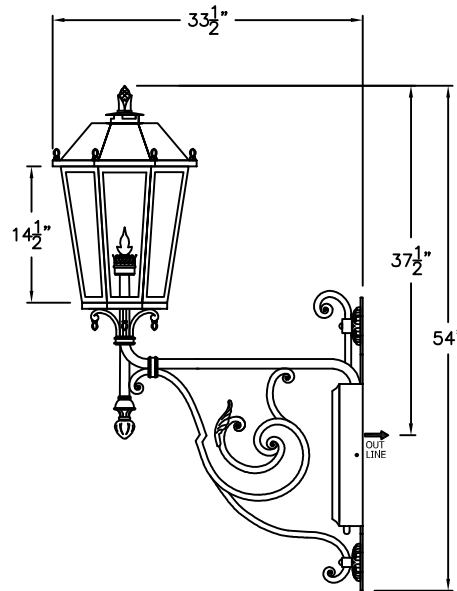
DESIGN:	SICILIA
LINE:	SCONCE MOUNT
FILE:	E-004-00SET-EL-S100-2
DATE REV:	29-SEP-10



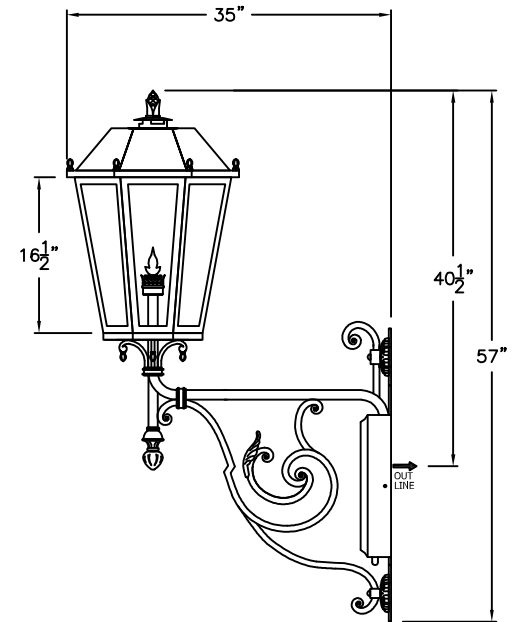
SMALL
E-004-011
12" W x 42" H x 23" D



MEDIUM
E-004-012
14 1/2" W x 51" H x 33" D



LARGE
E-004-013
15 1/2" W x 54" H x 33 1/2" D



X-LARGE
E-004-014
18 1/2" W x 57" H x 35" D

AVAILABLE IN
GAS & ELECTRIC
WITH EXCEPTION
OF SMALL SIZE

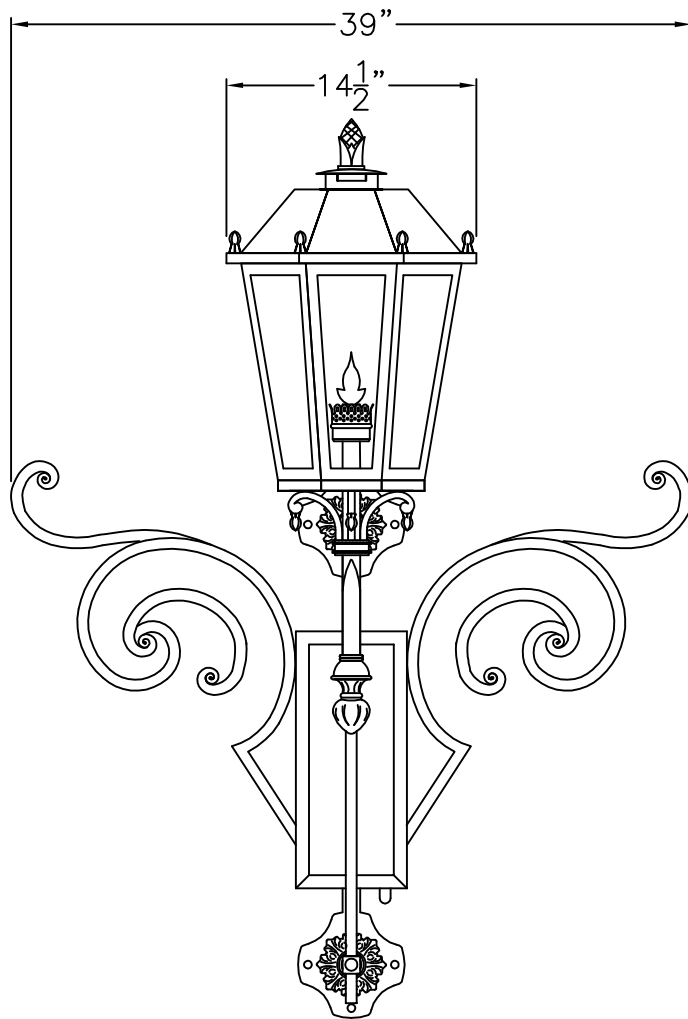
* ACTUAL DIMENSIONS MAY VARY UP TO 1/2"

CUSTOM DRAWING CHANGES:

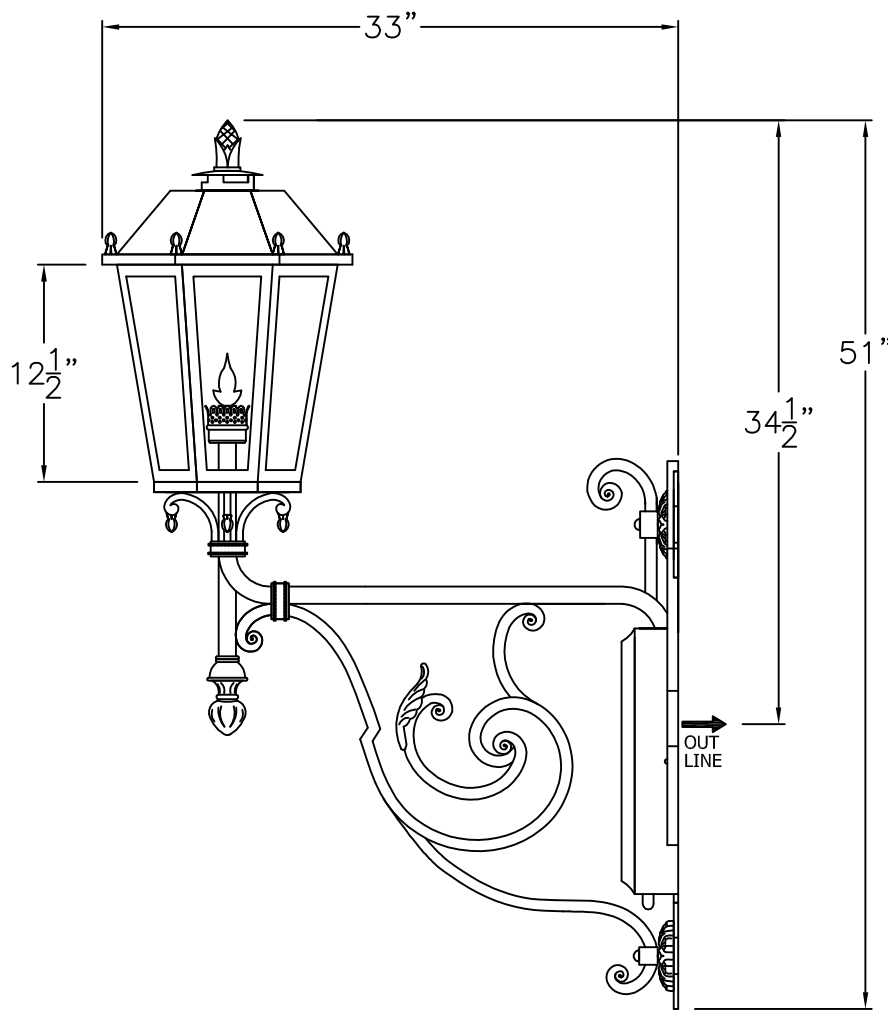
© 2010 SOLARA ENCHAINMENT
UNAUTHORIZED USE OF THIS
PLAN IS IN VIOLATION OF THE
U.S. COPYRIGHT ACT TITLE 17
OF THE U.S. CODE



DESIGN:	SICILIA
LINE:	WALL MOUNT
FILE:	E-004-01SET-EG-S100-4
DATE REV:	29-SEP-10



FRONT VIEW



SIDE VIEW

AVAILABLE IN
GAS & ELECTRIC
WITH EXCEPTION
OF SMALL SIZE

MEDIUM
E-004-022
39" W x 51" H x 33" D

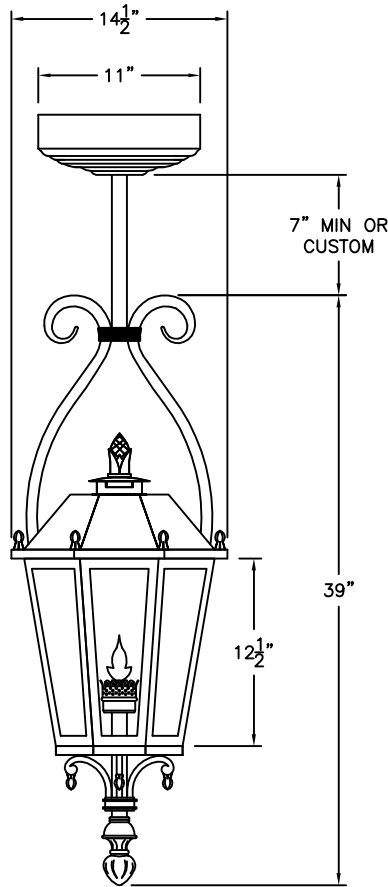
* ACTUAL DIMENSIONS MAY VARY UP TO 1/2"

CUSTOM DRAWING CHANGES:

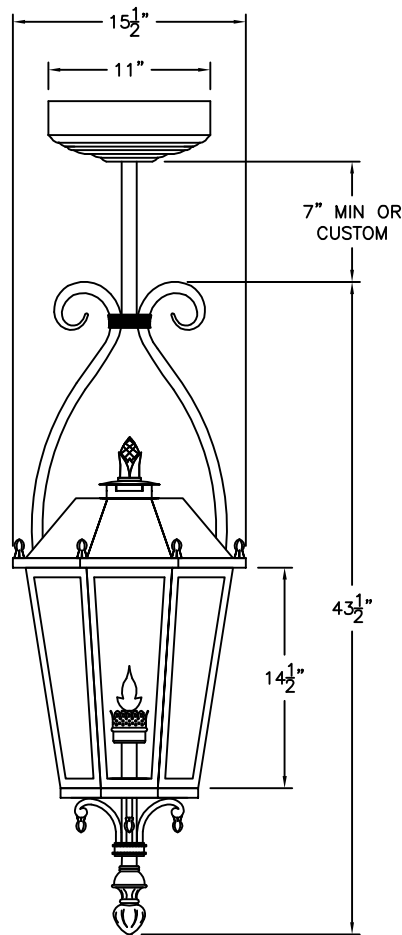
© 2010 SOLARA ENCHAINMENT
UNAUTHORIZED USE OF THIS
PLAN IS IN VIOLATION OF THE
U.S. COPYRIGHT ACT TITLE 17
OF THE U.S. CODE



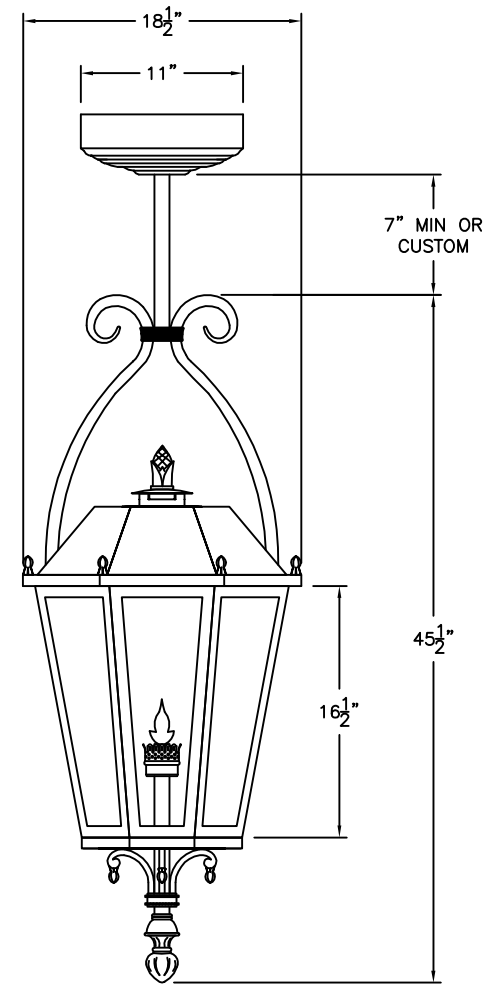
DESIGN:	SICILIA
LINE:	CENTRAL MOUNT
FILE:	E-004-022-EG-S100-2
DATE REV:	30-SEP-10



MEDIUM
E-006-032
14 1/2" W x 39" H



LARGE
E-006-033
15 1/2" W x 43 1/2" H



X-LARGE
E-006-034
18 1/2" W x 45 1/2" H

AVAILABLE IN
GAS & ELECTRIC
WITH EXCEPTION
OF SMALL SIZE

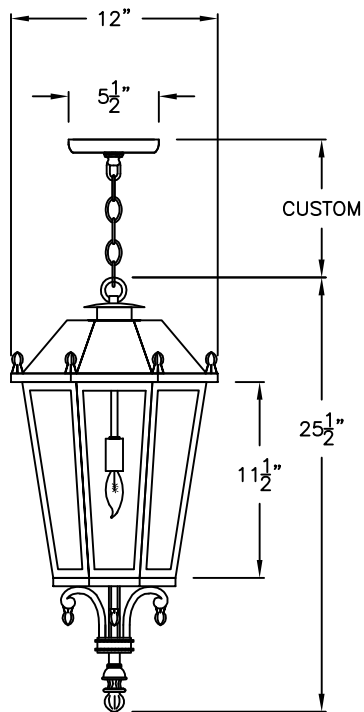
* ACTUAL DIMENSIONS MAY VARY UP TO 1/2"

CUSTOM DRAWING CHANGES:

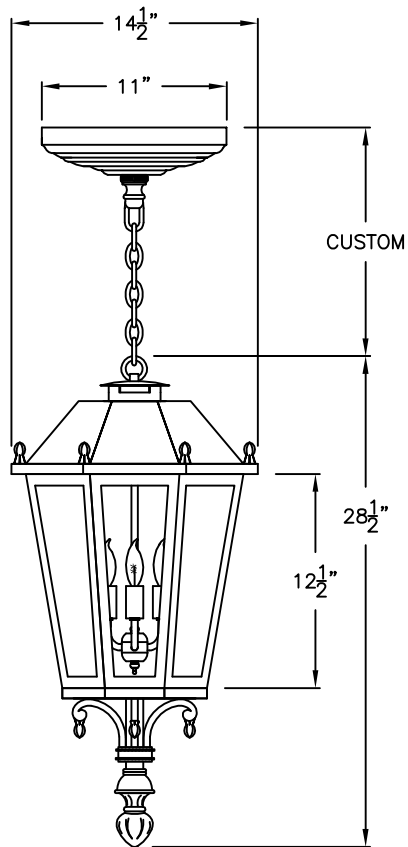
© 2010 SOLARA ENCHAINMENT
UNAUTHORIZED USE OF THIS
PLAN IS IN VIOLATION OF THE
U.S. COPYRIGHT ACT TITLE 17
OF THE U.S. CODE



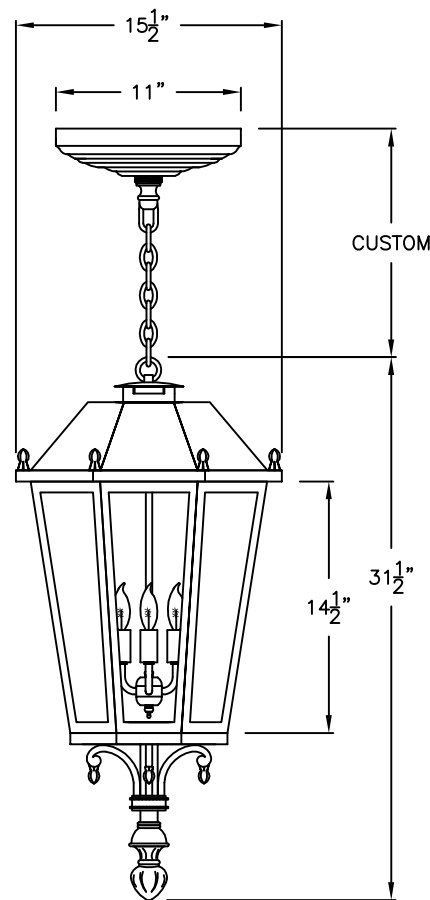
DESIGN:	SICILIA
LINE:	PENDANT STEM
FILE:	E-004-03SET-EG-S100-3
DATE REV:	30-SEP-10



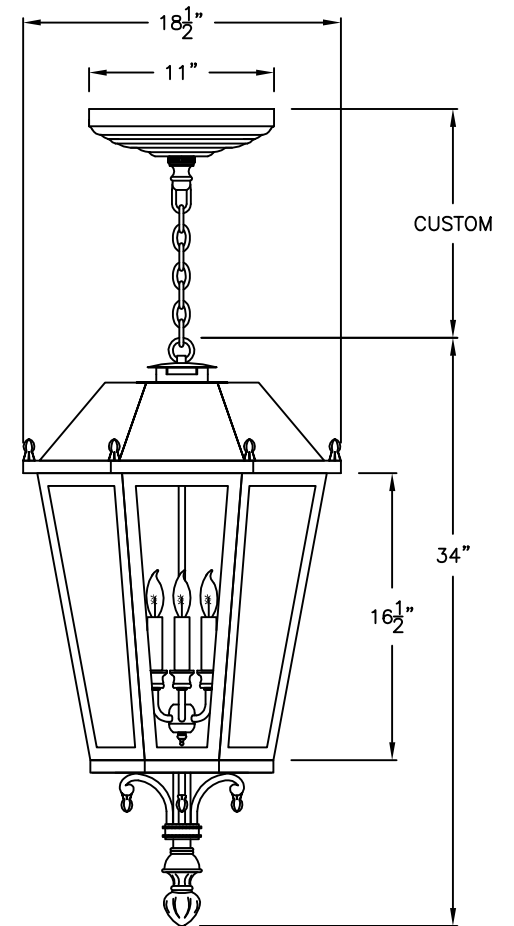
SMALL
E-006-041
12" W x 25 1/2" H



MEDIUM
E-006-042
14 1/2" W x 28 1/2" H



LARGE
E-006-043
15 1/2" W x 31 1/2" H



X-LARGE
E-006-044
18 1/2" W x 34" H

ONLY AVAILABLE
IN ELECTRIC

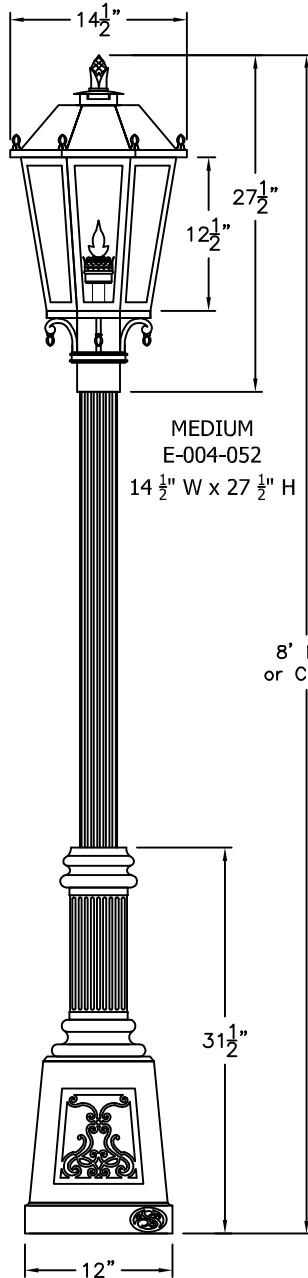
* ACTUAL DIMENSIONS MAY VARY UP TO 1/2"

CUSTOM DRAWING CHANGES:

© 2010 SOLARA ENCHAINMENT
UNAUTHORIZED USE OF THIS
PLAN IS IN VIOLATION OF THE
U.S. COPYRIGHT ACT TITLE 17
OF THE U.S. CODE



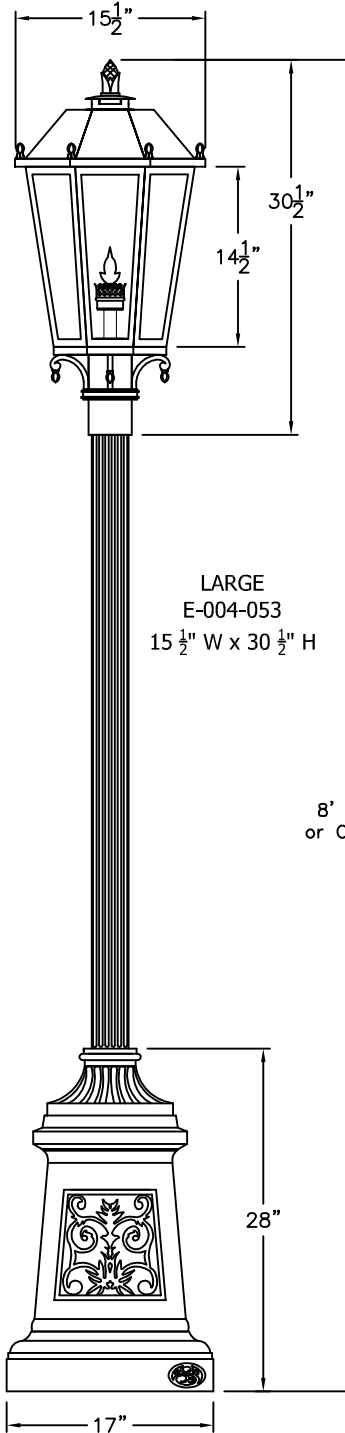
DESIGN:	SICILIA
LINE:	PENDANT CHAIN
FILE:	E-004-04SET-EL-S100-4
DATE REV:	30-SEP-10



MEDIUM
E-004-052
14 1/2" W x 27 1/2" H

8' MIN
or Custom

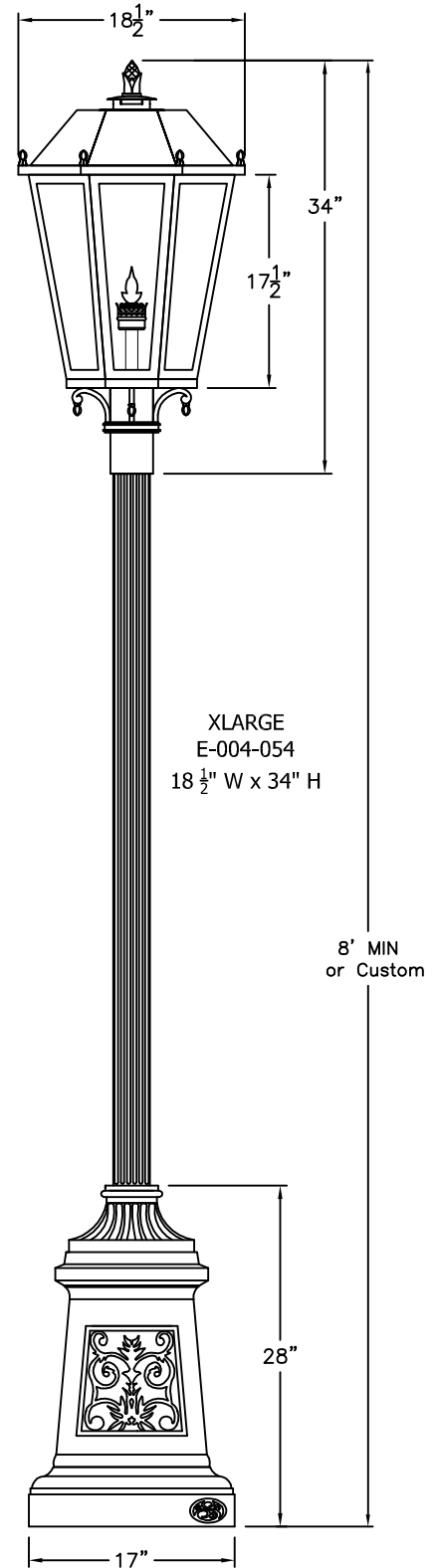
SOLARA BASE



LARGE
E-004-053
15 1/2" W x 30 1/2" H

8' MIN
or Custom

MUNICH BASE



XLARGE
E-004-054
18 1/2" W x 34" H

8' MIN
or Custom

AVAILABLE IN
GAS & ELECTRIC
WITH EXCEPTION
OF SMALL SIZE

* POST ARE SOLD SEPARATELY
* ACTUAL DIMENSIONS MAY VARY UP TO 1/2"

CUSTOM DRAWING CHANGES:

© 2010 SOLARA ENCHAINMENT
UNAUTHORIZED USE OF THIS
PLAN IS IN VIOLATION OF THE
U.S. COPYRIGHT ACT TITLE 17
OF THE U.S. CODE

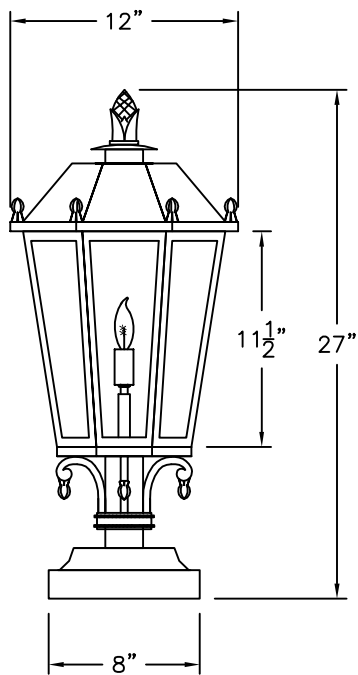


DESIGN: SICILIA

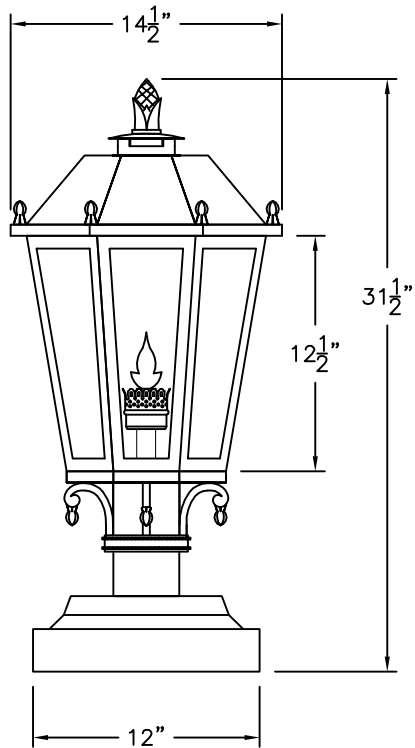
LINE: POST MOUNT

FILE: E-004-05SET-EG-S100-2

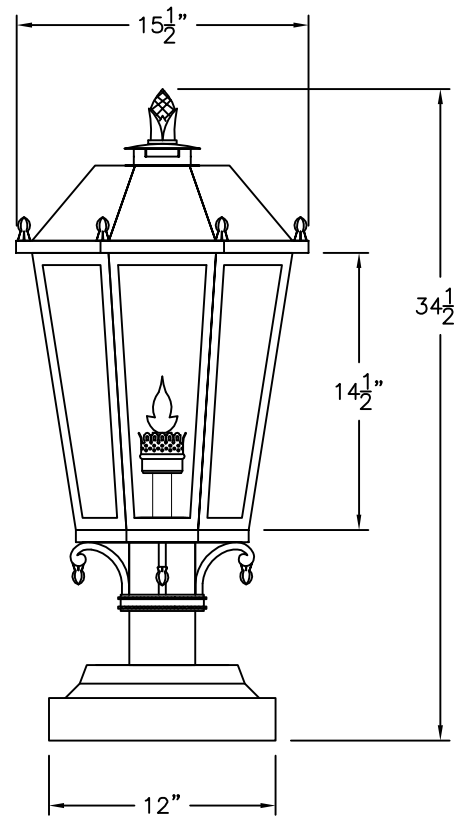
DATE REV: 30-SEP-10



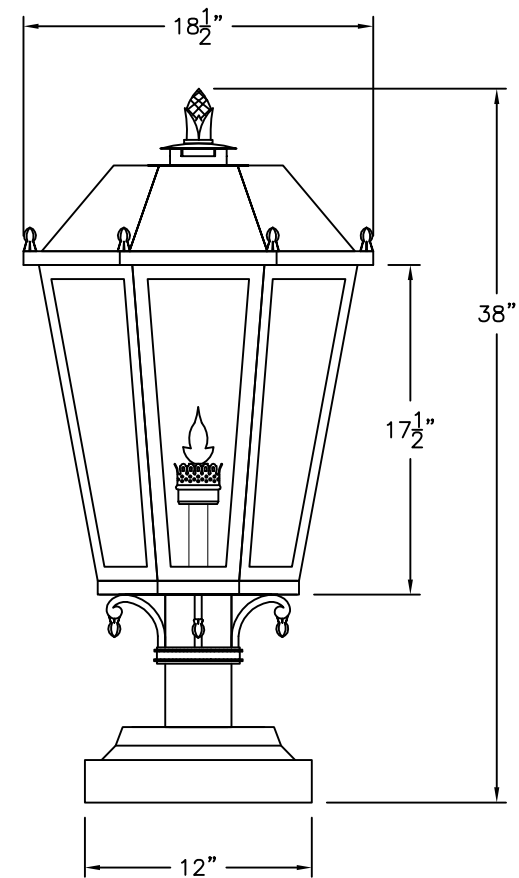
SMALL
E-004-061
12" W x 27" H



MEDIUM
E-004-062
14 1/2" W x 31 1/2" H



LARGE
E-004-063
15 1/2" W x 34 1/2" H



X-LARGE
E-004-064
18 1/2" W x 38" H

AVAILABLE IN
GAS & ELECTRIC
WITH EXCEPTION
OF SMALL SIZE

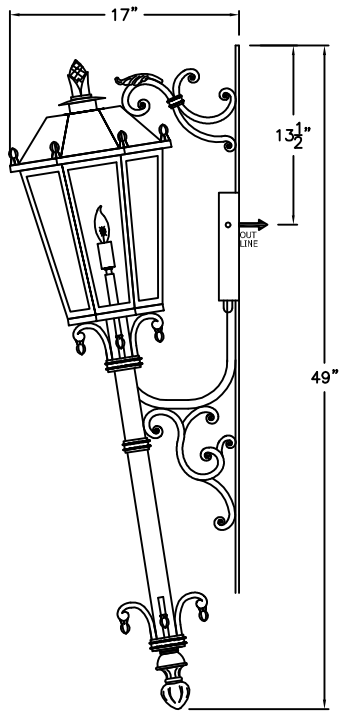
* ACTUAL DIMENSIONS MAY VARY UP TO 1/2"

CUSTOM DRAWING CHANGES:

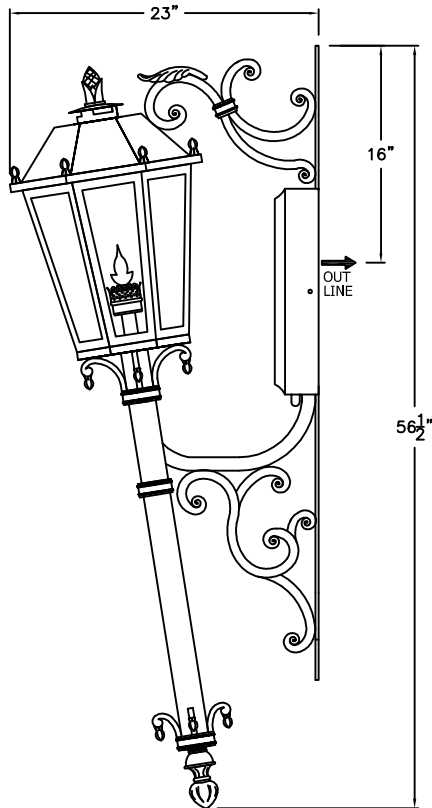
© 2010 SOLARA ENCHAINMENT
UNAUTHORIZED USE OF THIS
PLAN IS IN VIOLATION OF THE
U.S. COPYRIGHT ACT TITLE 17
OF THE U.S. CODE



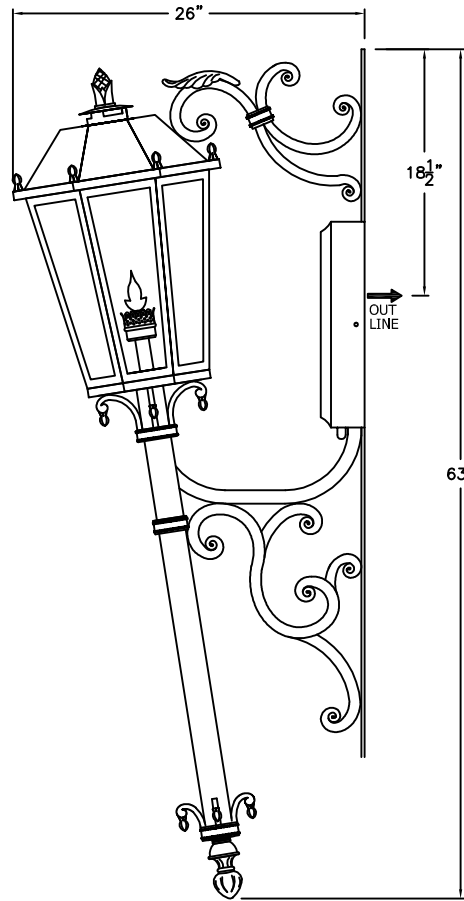
DESIGN:	SICILIA
LINE:	PIER MOUNT
FILE:	E-004-06SET-EG-S100-3
DATE REV:	29-SEP-10



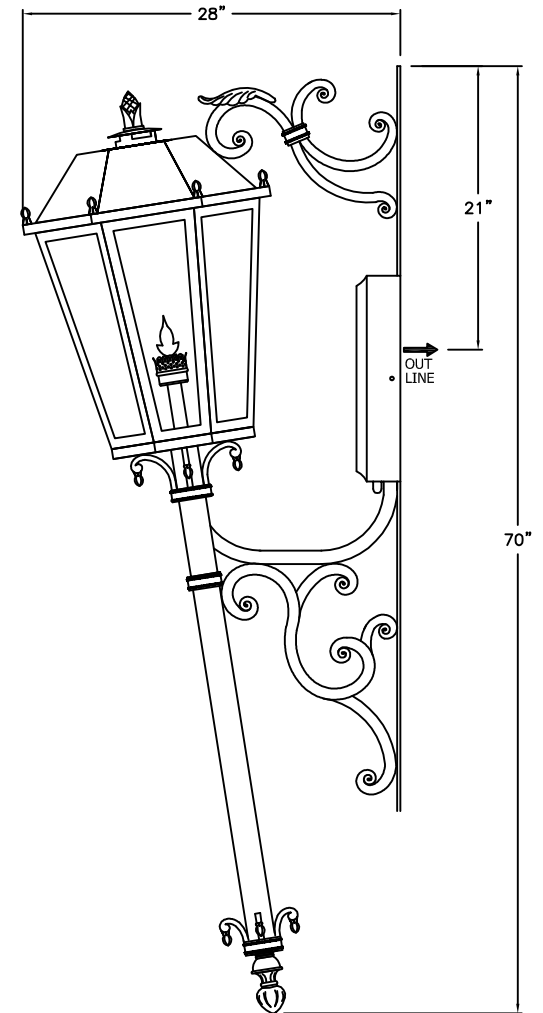
SMALL
E-007-081
12" W X 49" H X 17" D



MEDIUM
E-007-082
14 1/2" W X 56 1/2" H X 23" D



LARGE
E-007-083
15 1/2" W X 63" H X 26" D



XLARGE
E-007-084
18 1/2" W X 70" H X 28" D

AVAILABLE IN
GAS & ELECTRIC
WITH EXCEPTION
OF SMALL SIZE

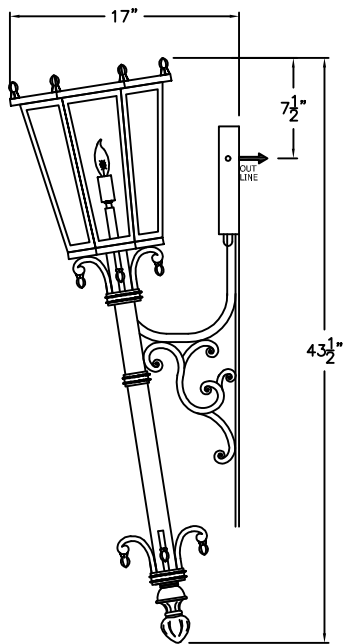
* ACTUAL DIMENSIONS MAY VARY UP TO 1/2"

CUSTOM DRAWING CHANGES:

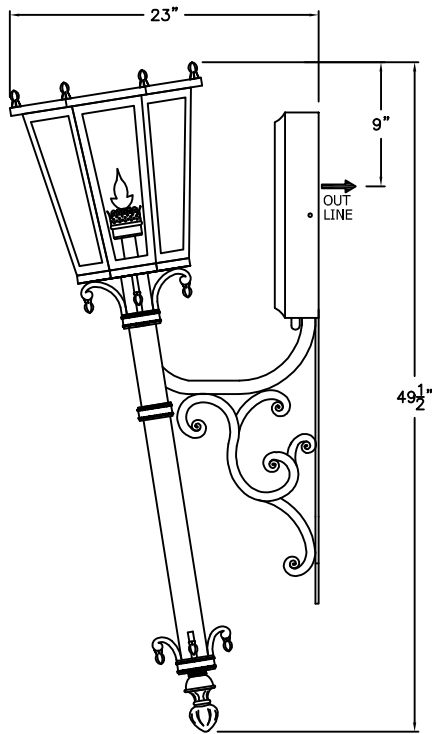
© 2011 SOLARA ENCHAINMENT
UNAUTHORIZED USE OF THIS
PLAN IS IN VIOLATION OF THE
U.S. COPYRIGHT ACT TITLE 17
OF THE U.S. CODE.



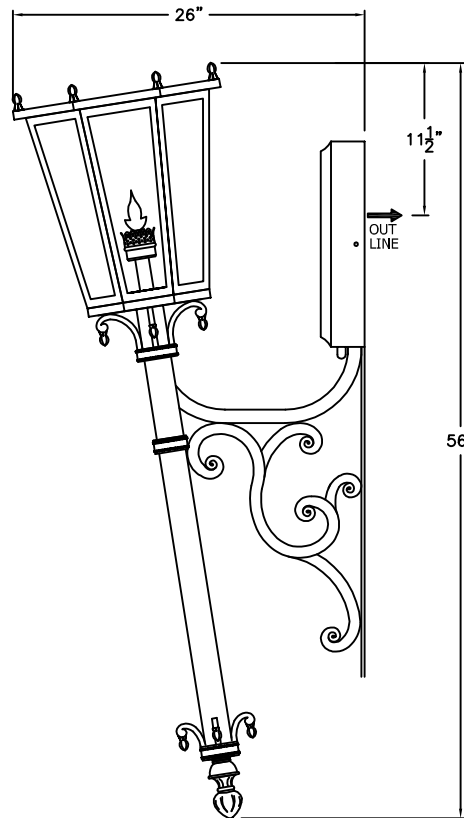
DESIGN:	SICILIA
LINE:	TORCH MOUNT
FILE:	E-004-08SET-EG-S100-2
DATE REV:	11-FEB-11



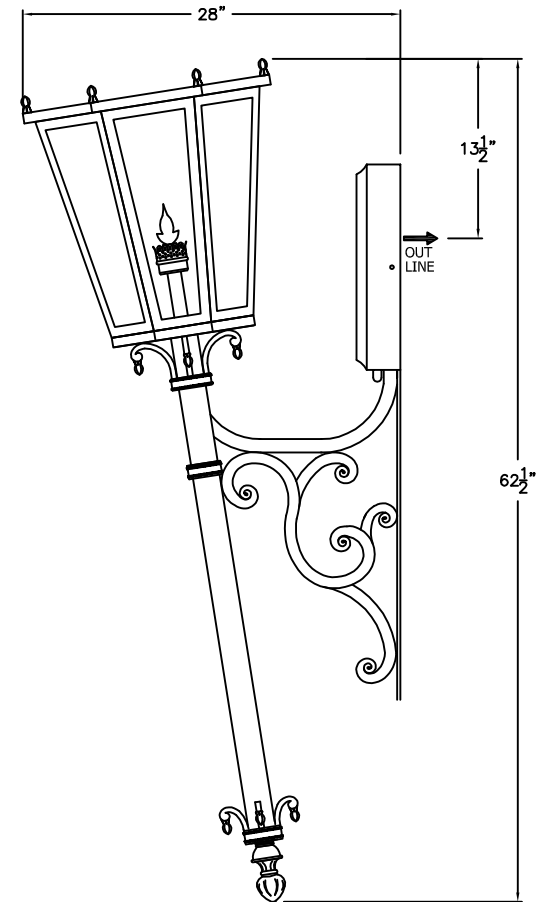
SMALL
E-007-091
12" W X 43 $\frac{1}{2}$ " H X 17" D



MEDIUM
E-007-092
14 $\frac{1}{2}$ " W X 49 $\frac{1}{2}$ " H X 23" D



LARGE
E-007-093
15 $\frac{1}{2}$ " W X 56" H X 26" D



XLARGE
E-007-094
18 $\frac{1}{2}$ " W X 62 $\frac{1}{2}$ " H X 28" D

AVAILABLE IN
GAS & ELECTRIC
WITH EXCEPTION
OF SMALL SIZE

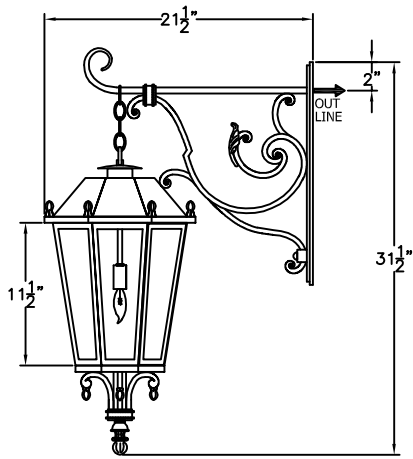
* ACTUAL DIMENSIONS MAY VARY UP TO 1/2"

CUSTOM DRAWING CHANGES:

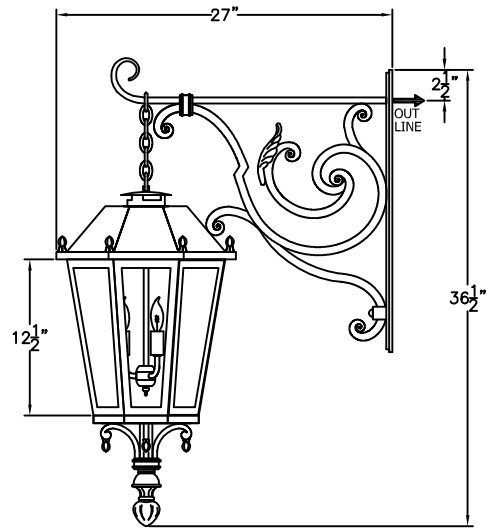
© 2011 SOLARA ENCHAINMENT
UNAUTHORIZED USE OF THIS
PLAN IS IN VIOLATION OF THE
U.S. COPYRIGHT ACT TITLE 17
OF THE U.S. CODE.



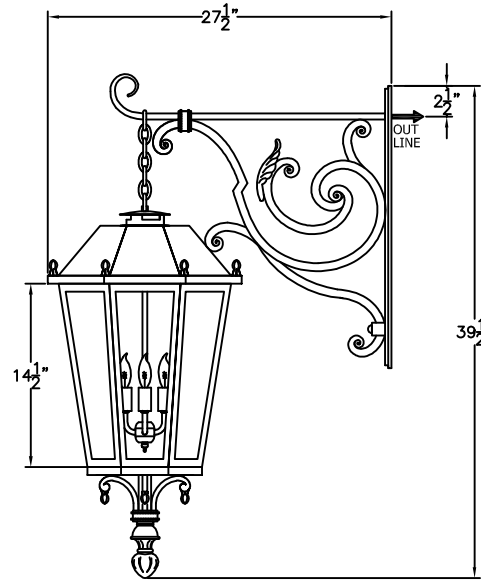
DESIGN:	SICILIA
LINE:	TORCH MOUNT
FILE:	E-004-09SET-EG-S100-2
DATE REV:	11-FEB-11



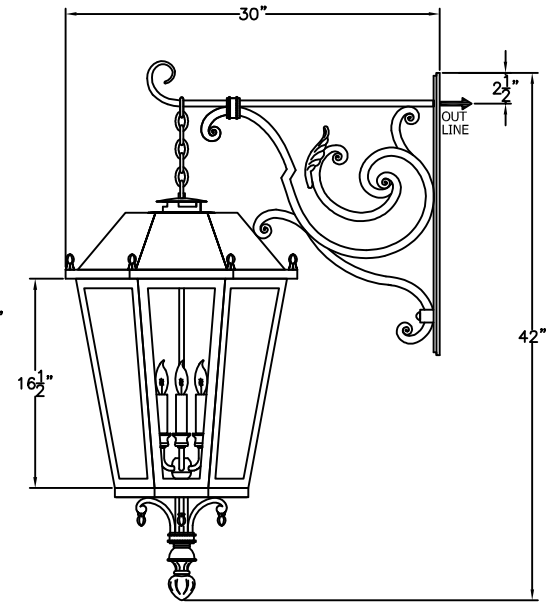
SMALL
E-004-101
12" W X 31 1/2" H X 21 1/2" D



MEDIUM
E-004-102
14 1/2" W X 36 1/2" H X 27" D



LARGE
E-004-103
15 1/2" W X 39 1/2" H X 27 1/2" D



XLARGE
E-004-104
18 1/2" W X 42" H X 30" D

ONLY AVAILABLE
IN ELECTRIC

* ACTUAL DIMENSIONS MAY VARY UP TO 1/2"

CUSTOM DRAWING CHANGES:

© 2011 SOLARA ENCHAINMENT
UNAUTHORIZED USE OF THIS
PLAN IS IN VIOLATION OF THE
U.S. COPYRIGHT ACT TITLE 17
OF THE U.S. CODE.



DESIGN:	SICILIA
LINE:	HANGING BRACKET
FILE:	E-004-10SET-EL-S100-1
DATE REV:	11-FEB-11