



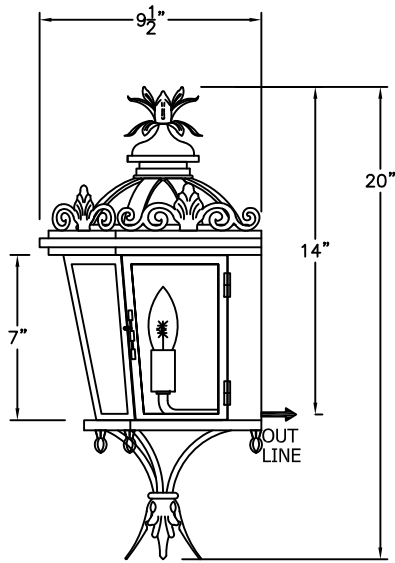
# SOLARA

Iron Doors & Lighting

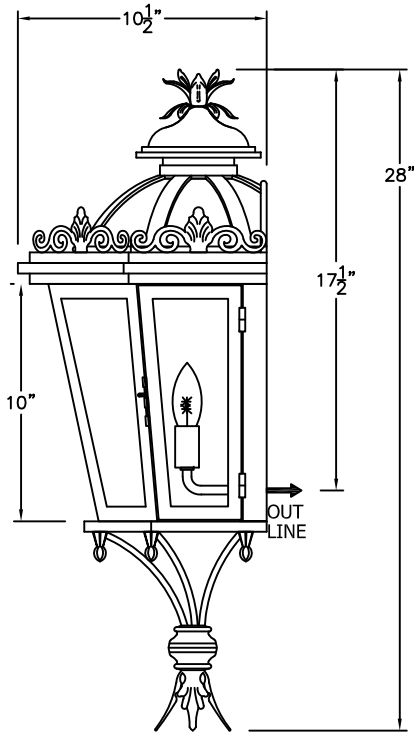


## Versailles - D004

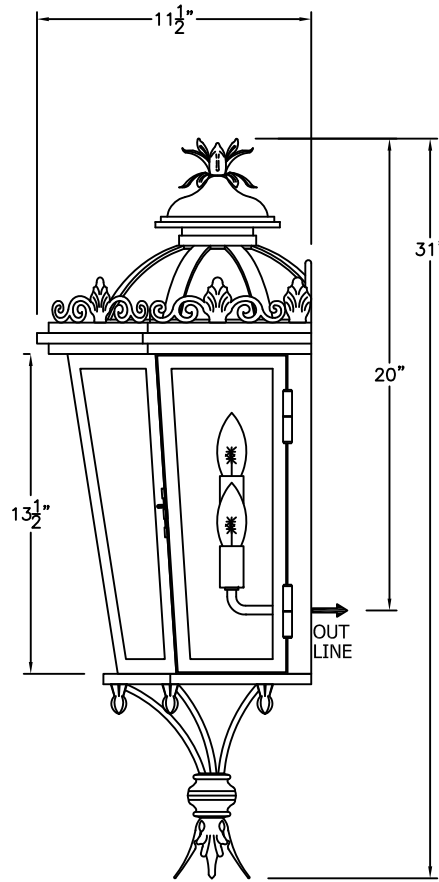




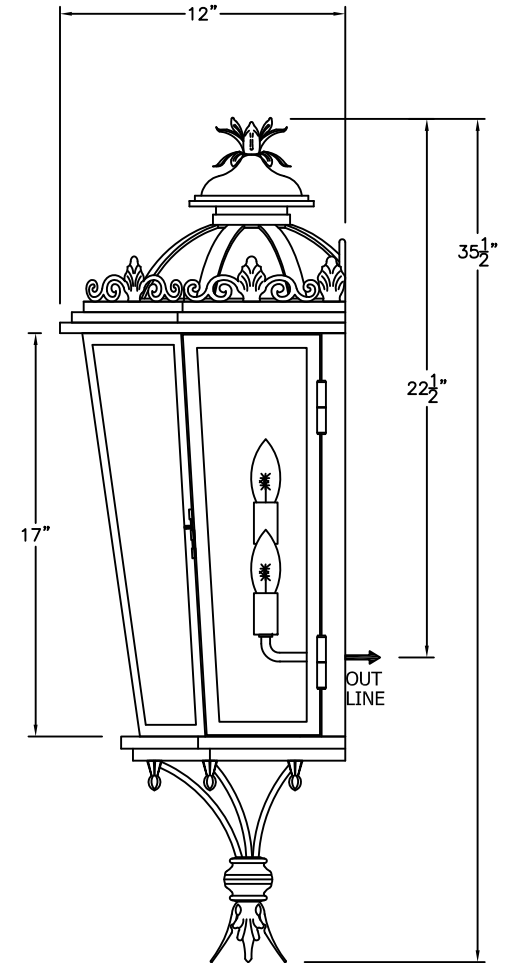
SMALL  
D-004-001  
10" W x 20" H x 9 1/2" D



MEDIUM  
D-004-002  
15" W x 28" H x 10 1/2" D



LARGE  
D-004-003  
15" W x 31" H x 11 1/2" D



XLARGE  
D-004-004  
16" W x 35 1/2" H x 12" D

ONLY AVAILABLE  
IN ELECTRIC

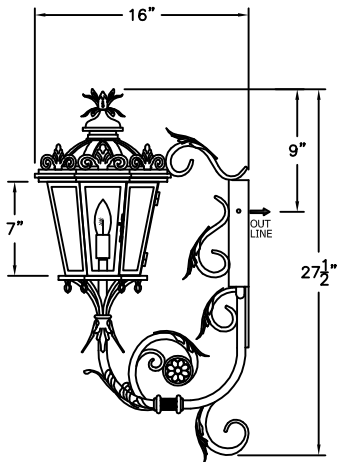
\* ACTUAL DIMENSIONS MAY VARY UP TO 1/2"

CUSTOM DRAWING CHANGES:

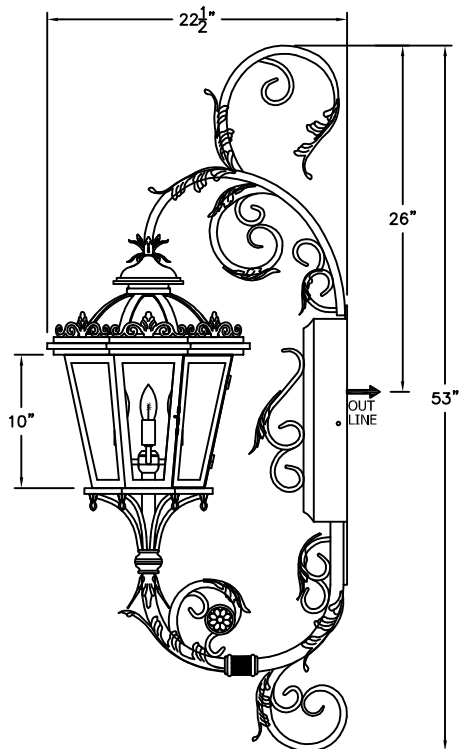
© 2011 SOLARA ENCHAINMENT  
UNAUTHORIZED USE OF THIS  
PLAN IS IN VIOLATION OF THE  
U.S. COPYRIGHT ACT TITLE 17  
OF THE U.S. CODE



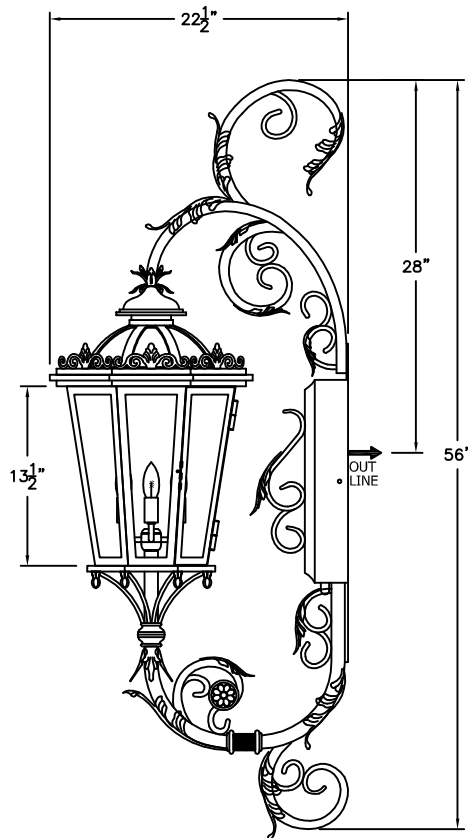
DESIGN:	VERSAILLES
LINE:	FLUSH SCONCE MOUNT
FILE:	D-004-00SET-EL-S100-1
DATE REV:	03-FEB-11



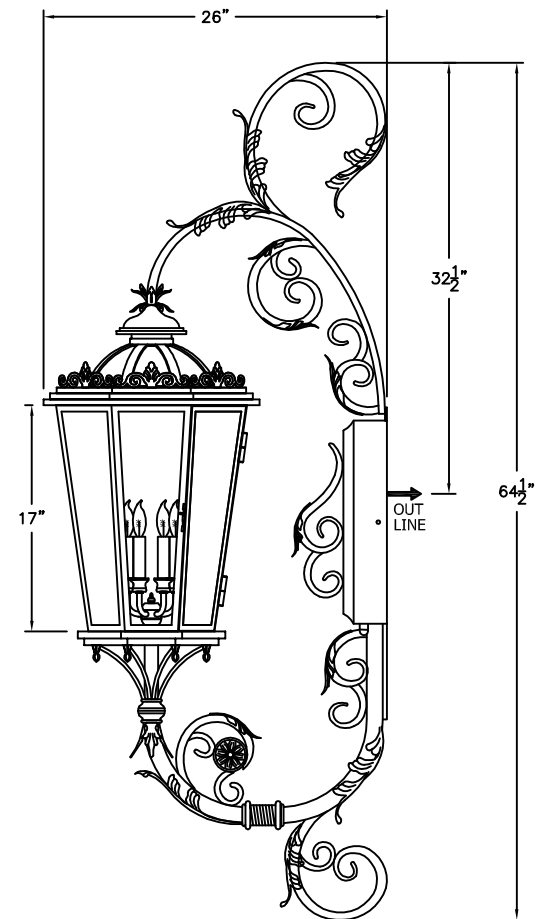
SMALL  
D-004-011  
10" W x 27 $\frac{1}{2}$ " H x 16" D



MEDIUM  
D-004-012  
15" W x 53" H x 22 $\frac{1}{2}$ " D



LARGE  
D-004-013  
15" W x 56" H x 22 $\frac{1}{2}$ " D



XLARGE  
D-004-014  
16" W x 64 $\frac{1}{2}$ " H x 26" D

AVAILABLE IN  
GAS & ELECTRIC  
WITH EXCEPTION  
OF SMALL SIZE

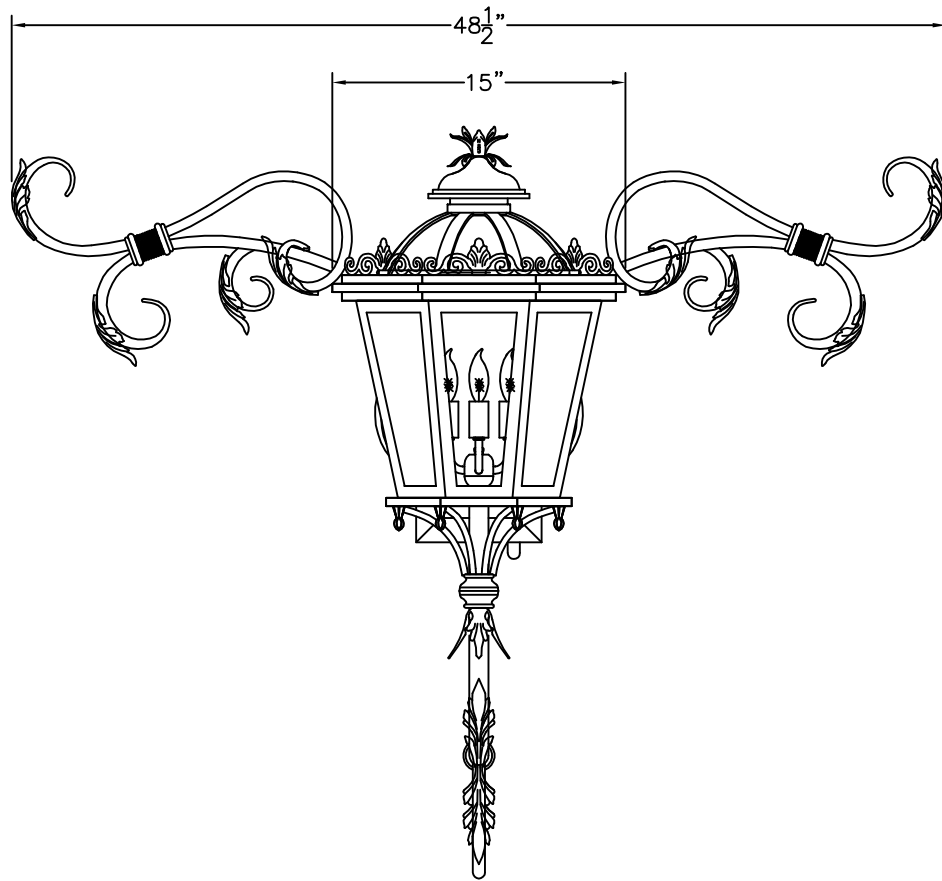
\* ACTUAL DIMENSIONS MAY VARY UP TO 1/2"

CUSTOM DRAWING CHANGES:

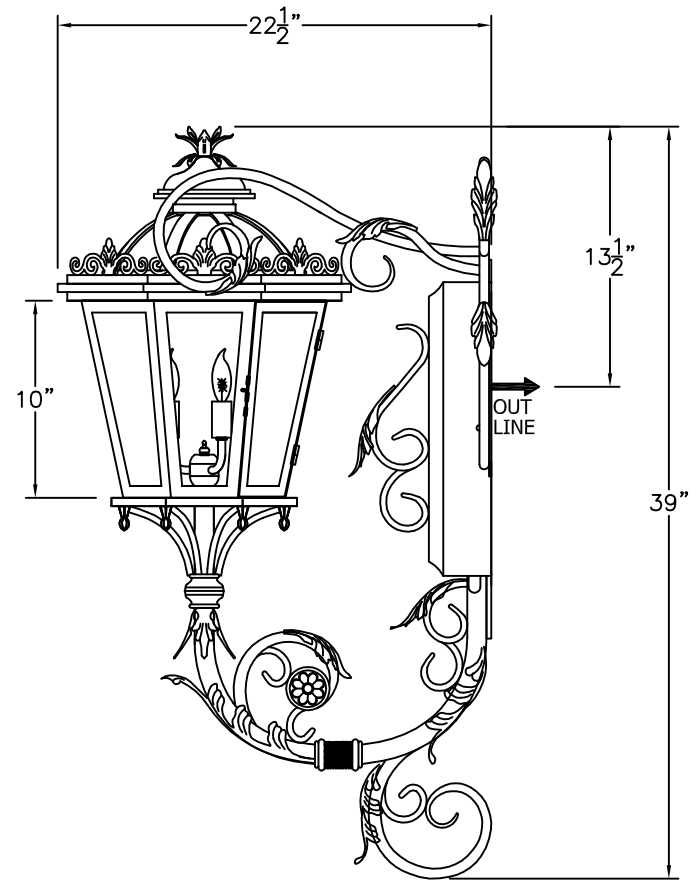
© 2011 SOLARA ENCHAINMENT  
UNAUTHORIZED USE OF THIS  
PLAN IS IN VIOLATION OF THE  
U.S. COPYRIGHT ACT TITLE 17  
OF THE U.S. CODE.



DESIGN:	VERSAILLES
LINE:	WALL MOUNT
FILE:	D-004-01SET-EL-S100-3
DATE REV:	30-MARCH-11



FRONT VIEW



SIDE VIEW

AVAILABLE IN  
GAS & ELECTRIC  
WITH EXCEPTION  
OF SMALL SIZE

MEDIUM  
D-004-22

48 1/2" W X 39" H X 22 1/2" D

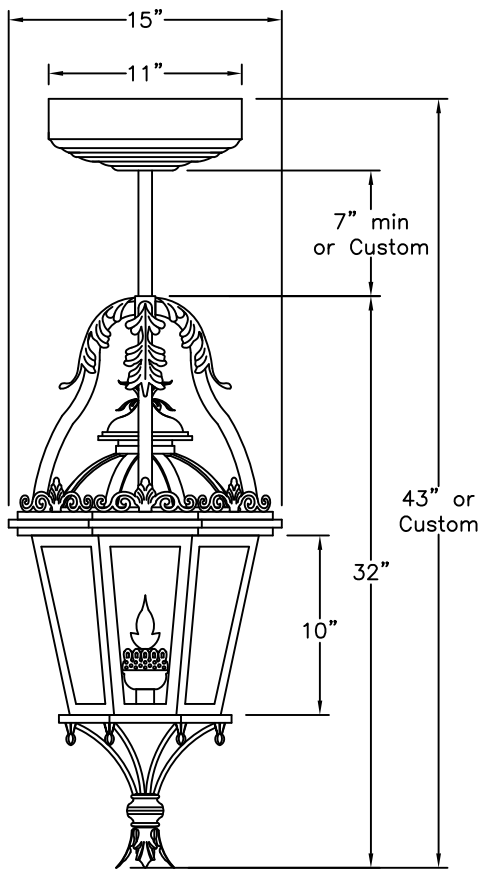
\* ACTUAL DIMENSIONS MAY VARY UP TO 1/2"

CUSTOM DRAWING CHANGES:

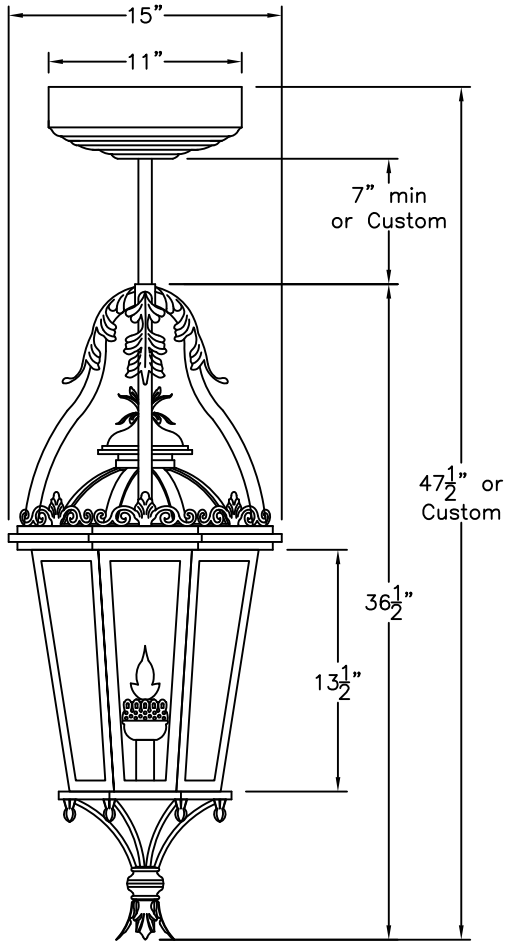
© 2011 SOLARA ENCHAINMENT  
UNAUTHORIZED USE OF THIS  
PLAN IS IN VIOLATION OF THE  
U.S. COPYRIGHT ACT TITLE 17  
OF THE U.S. CODE.



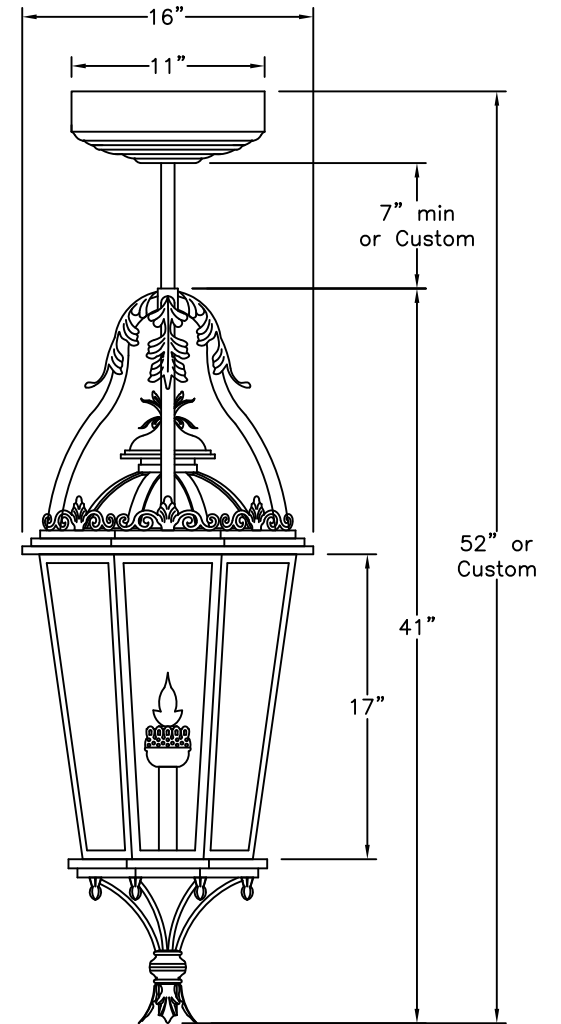
DESIGN:	VERSAILLES
LINE:	CENTRAL MOUNT
FILE:	D-004-022-EL-S100-2
DATE REV:	03-FEB-11



MEDIUM  
D-004-032  
15" W x 32" H



LARGE  
D-004-033  
15" W x 36 1/2" H



XLARGE  
D-004-034  
16" W x 41" H

AVAILABLE IN  
GAS & ELECTRIC  
WITH EXCEPTION  
OF SMALL SIZE

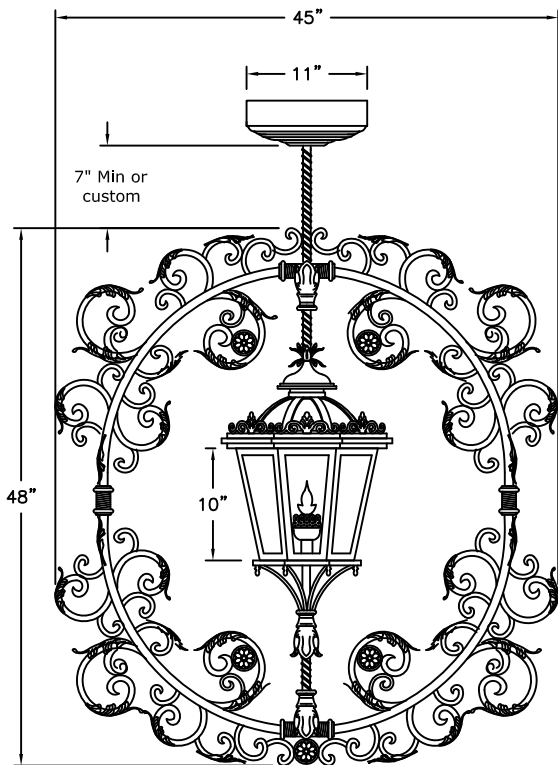
\* ACTUAL DIMENSIONS MAY VARY UP TO 1/2"

CUSTOM DRAWING CHANGES:

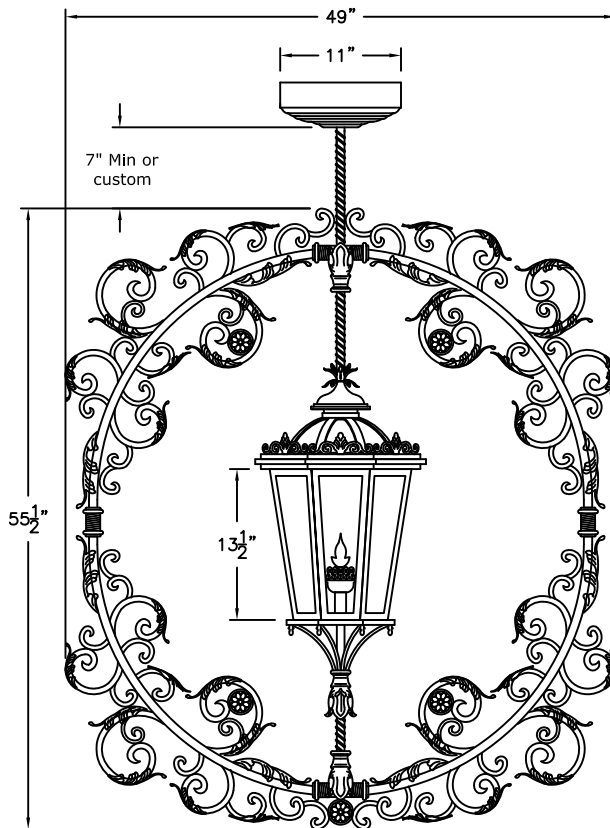
© 2011 SOLARA ENCHAINMENT  
UNAUTHORIZED USE OF THIS  
PLAN IS IN VIOLATION OF THE  
U.S. COPYRIGHT ACT TITLE 17



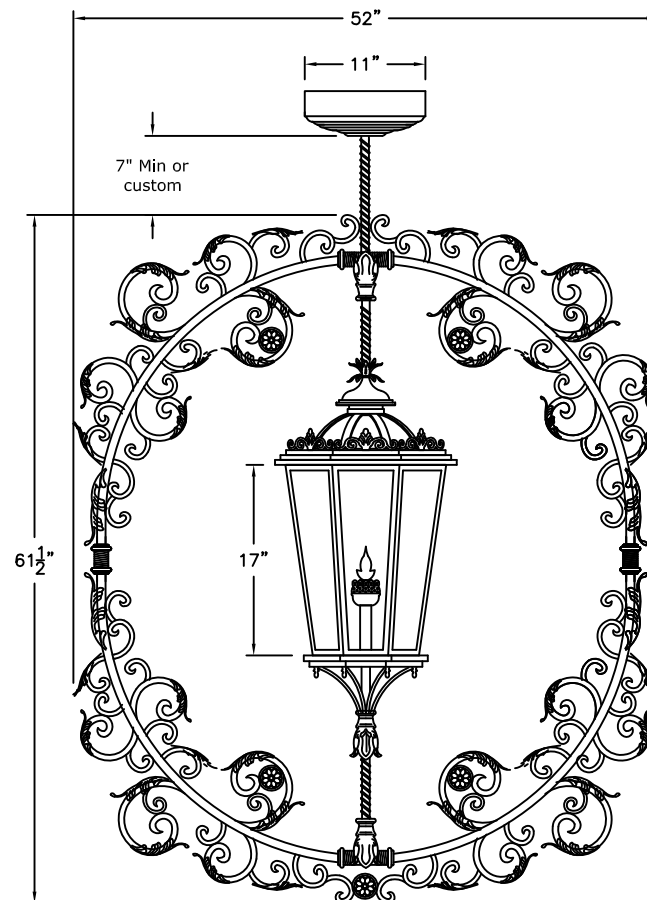
DESIGN:	VERSAILLES
LINE:	PENDANT STEM
FILE:	D-004-03SET-EG-S100-2
DATE REV :	09-FEB-11



MEDIUM  
D-004-03A2  
45" W x 48" H x 15" D



LARGE  
D-004-03A3  
49" W x 55 1/2" H x 15" D



XLARGE  
D-004-03A4  
52" W x 61 1/2" H x 16" D

AVAILABLE IN  
GAS & ELECTRIC  
WITH EXCEPTION  
OF SMALL SIZE

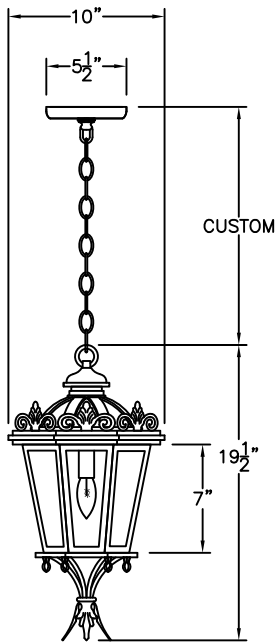
\* ACTUAL DIMENSIONS MAY VARY UP TO 1/2"

CUSTOM DRAWING CHANGES:

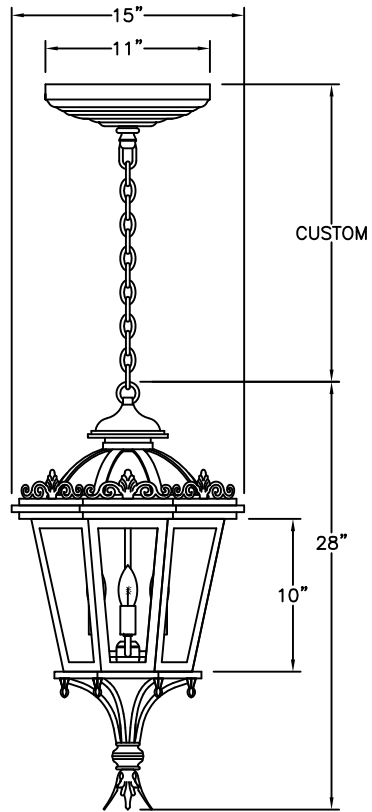
© 2011 SOLARA ENCHAINMENT  
UNAUTHORIZED USE OF THIS  
PLAN IS IN VIOLATION OF THE  
U.S. COPYRIGHT ACT TITLE 17



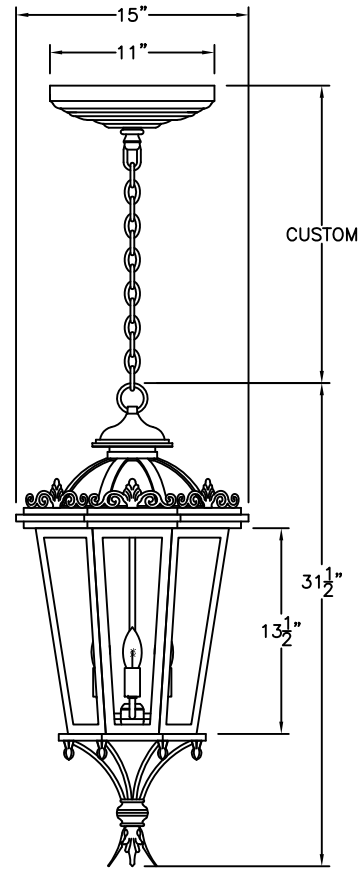
DESIGN:	VERSAILLES
LINE:	PENDANT RING STEM
FILE:	D-004-03ASET-EG-S100-2
DATE REV:	09-FEB-11



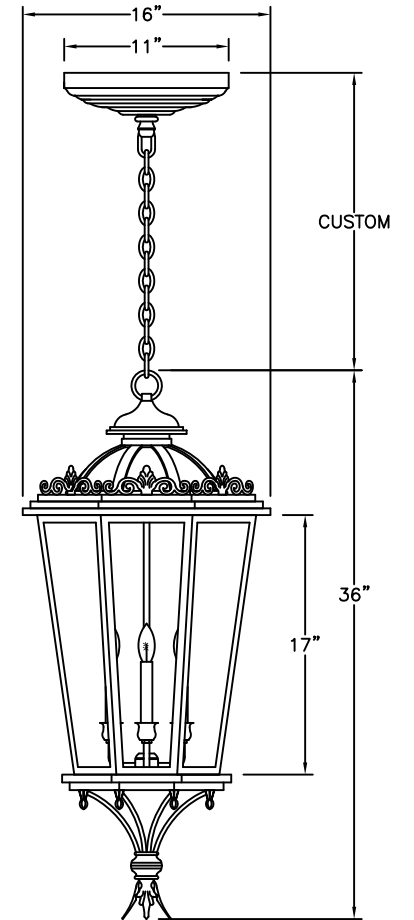
SMALL  
D-004-41  
10" W x 19 1/2" H



MEDIUM  
D-004-042  
15" W x 28" H



LARGE  
D-004-043  
15" W x 31 1/2" H



XLARGE  
D-004-044  
16" W x 36" H

ONLY AVAILABLE  
IN ELECTRIC

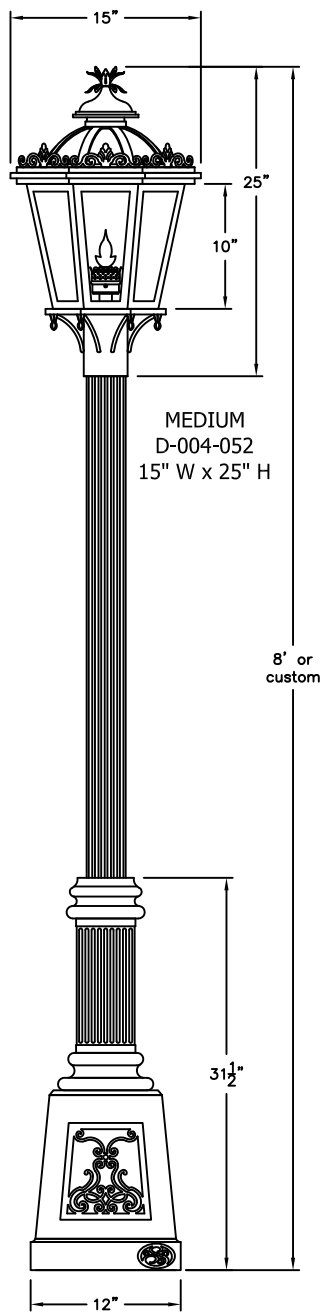
\* ACTUAL DIMENSIONS MAY VARY UP TO 1/2"

CUSTOM DRAWING CHANGES:

© 2011 SOLARA ENCHAINMENT  
UNAUTHORIZED USE OF THIS  
PLAN IS IN VIOLATION OF THE  
U.S. COPYRIGHT ACT TITLE 17

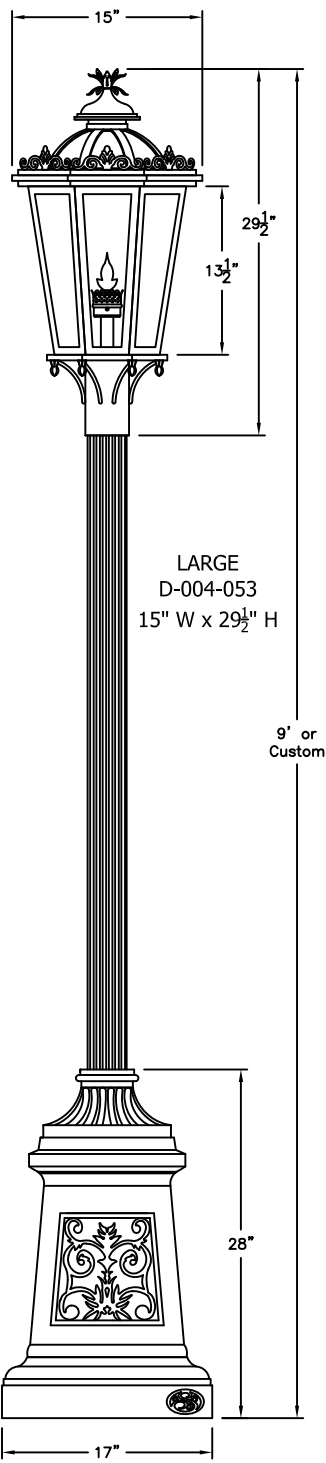


DESIGN:	VERSAILLES
LINE:	PENDANT CHAIN MOUNT
FILE:	D-004-04SET-EL-S100-2
DATE REV:	09-FEB-11



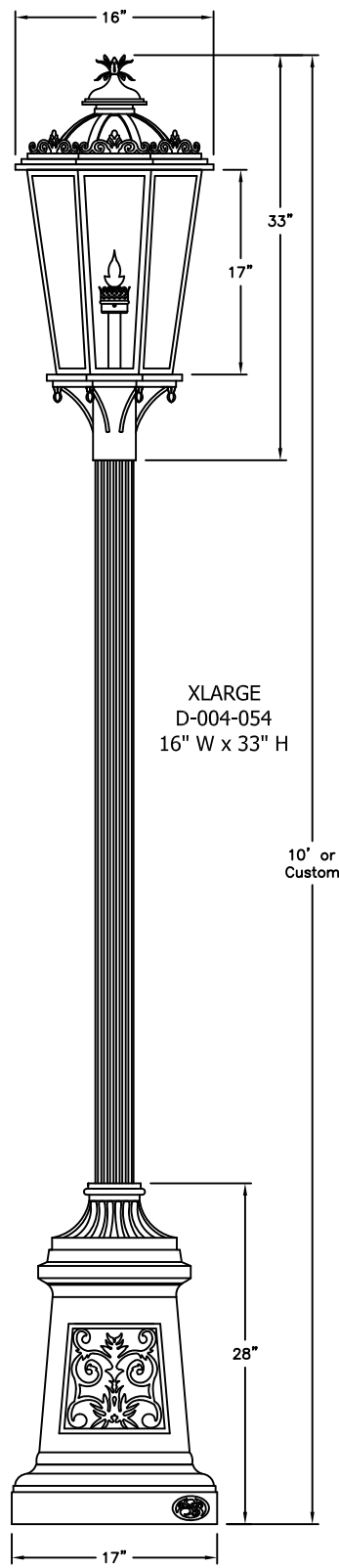
MEDIUM  
D-004-052  
15" W x 25" H

SOLARA BASE



LARGE  
D-004-053  
15" W x 29 1/2" H

MUNICH BASE-SH



XLARGE  
D-004-054  
16" W x 33" H

AVAILABLE IN  
GAS & ELECTRIC  
WITH EXCEPTION  
OF SMALL SIZE

POST ARE SOLD SEPARATELY

\* ACTUAL DIMENSIONS MAY VARY UP TO 1/2"

CUSTOM DRAWING CHANGES:

© 2010 SOLARA ENCHAINMENT  
UNAUTHORIZED USE OF THIS  
PLAN IS IN VIOLATION OF THE  
U.S. COPYRIGHT ACT TITLE 17



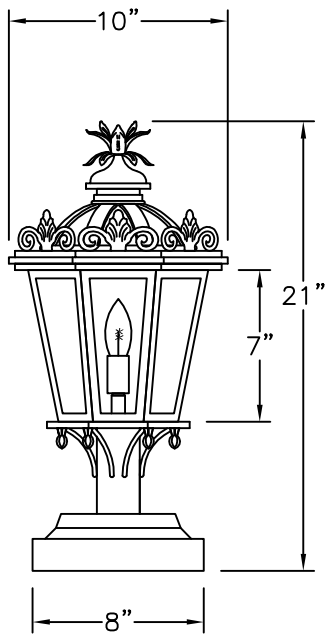
DESIGN: VERSALLES

LINE: POST MOUNT

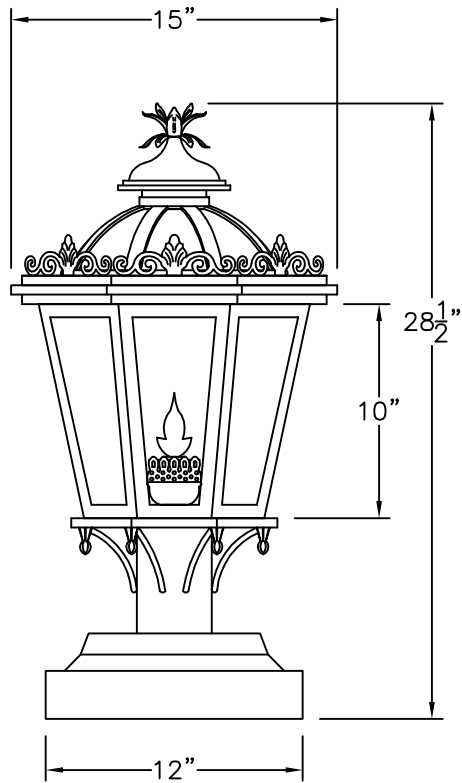
FILE: D-004-05SET-EG-S100-1

DATE REV : 06-JULY-10

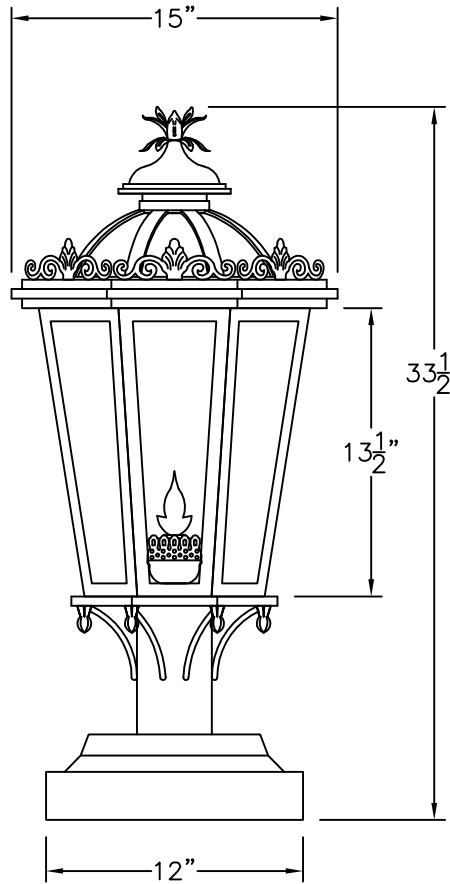




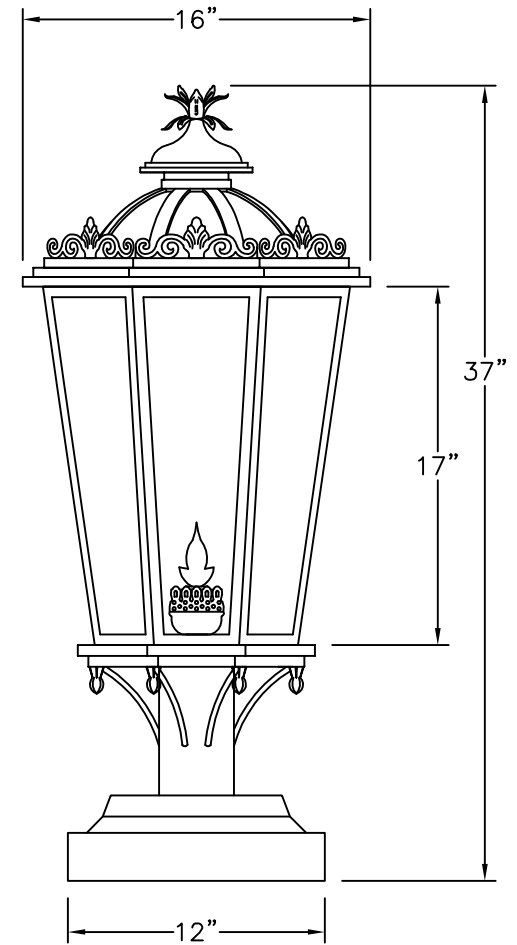
SMALL  
D-004-061  
10" W x 21" H



MEDIUM  
D-004-062  
15" W x 28 1/2" H



LARGE  
D-004-063  
15" W x 33 1/2" H



XLARGE  
D-004-064  
16" W x 37" H

AVAILABLE IN  
GAS & ELECTRIC  
WITH EXCEPTION  
OF SMALL SIZE

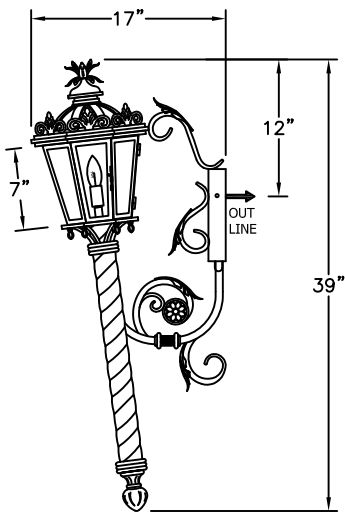
\* ACTUAL DIMENSIONS MAY VARY UP TO 1/2"

CUSTOM DRAWING CHANGES:

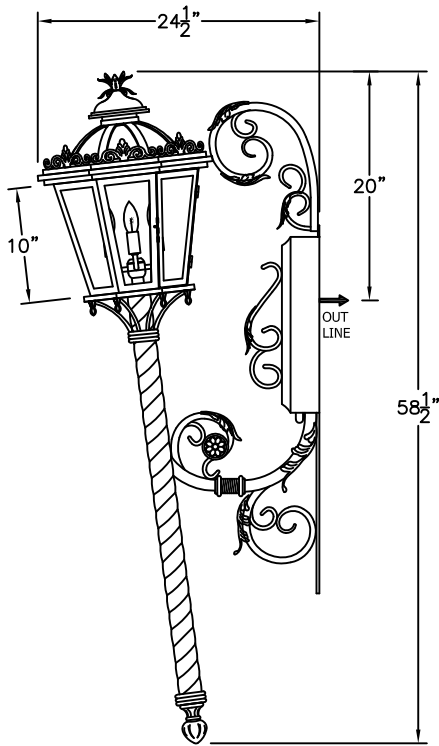
© 2010 SOLARA ENCHAINMENT  
UNAUTHORIZED USE OF THIS  
PLAN IS IN VIOLATION OF THE  
U.S. COPYRIGHT ACT TITLE 17



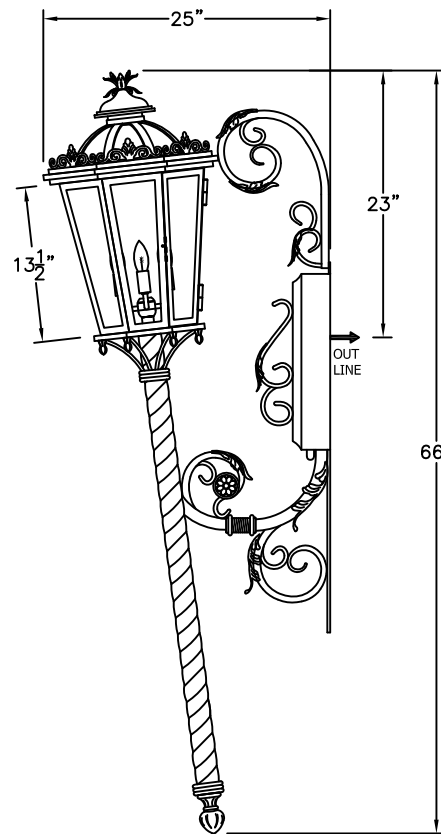
DESIGN:	VERSAILLES
LINE:	PIER MOUNT
FILE:	D-004-06SET-EG-S100-1
DATE REV:	06-JULY-10



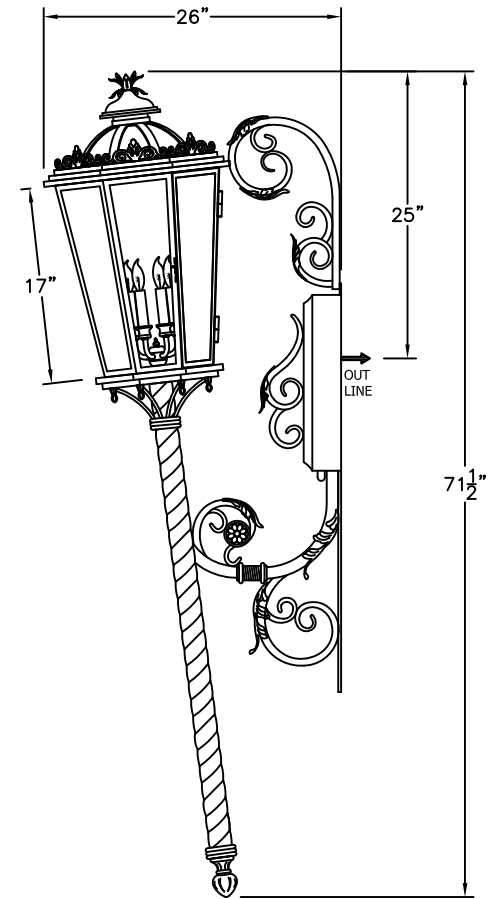
SMALL  
D-004-081  
10" W x 39" H x 17" D



MEDIUM  
D-004-082  
15" W x 58 1/2" H x 24 1/2" D



LARGE  
D-004-083  
15" W x 66" H x 25" D



XLARGE  
D-004-084  
16" W x 71 1/2" H x 26" D

AVAILABLE IN  
GAS & ELECTRIC  
WITH EXCEPTION  
OF SMALL SIZE

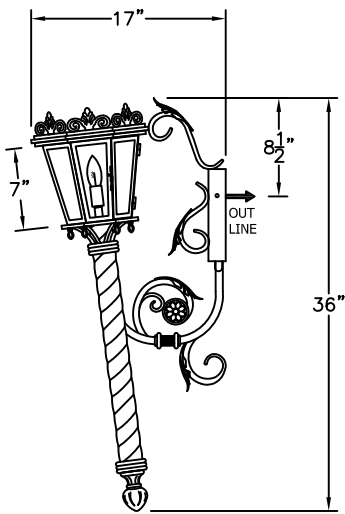
\* ACTUAL DIMENSIONS MAY VARY UP TO 1/2"

CUSTOM DRAWING CHANGES:

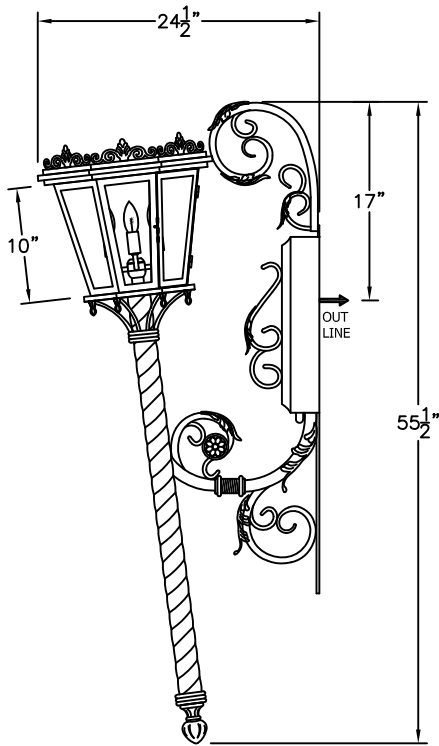
© 2011 SOLARA ENCHAINMENT  
UNAUTHORIZED USE OF THIS  
PLAN IS IN VIOLATION OF THE  
U.S. COPYRIGHT ACT TITLE 17



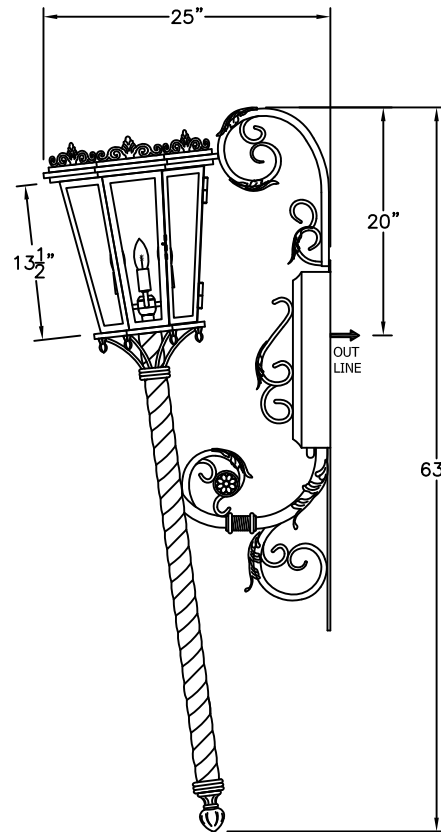
DESIGN:	VERSAILLES
LINE:	TORCH MOUNT
FILE:	D-004-08SET-EL-S100-2
DATE REV:	09-FEB-11



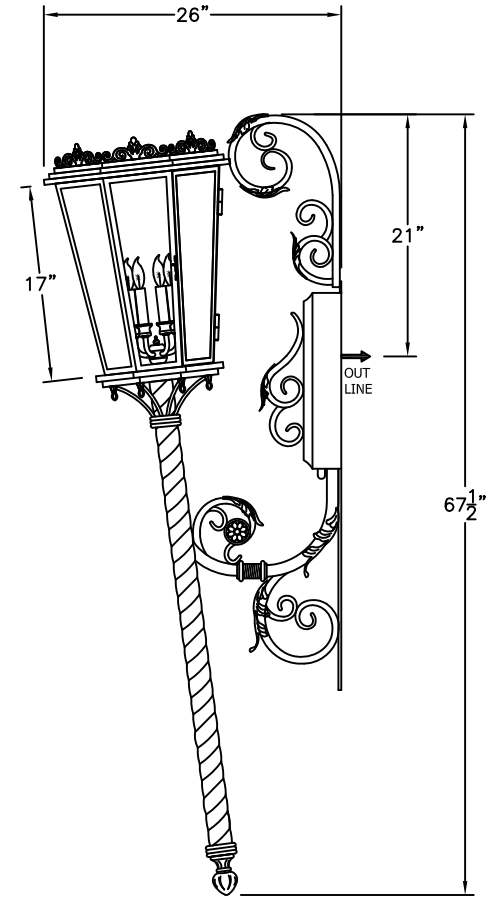
SMALL  
D-004-091  
10" W x 36" H x 17" D



MEDIUM  
D-004-092  
15" W x 55 1/2" H x 24 1/2" D



LARGE  
D-004-093  
15" W x 63" H x 25" D



XLARGE  
D-004-094  
16" W x 67 1/2" H x 26" D

AVAILABLE IN  
GAS & ELECTRIC  
WITH EXCEPTION  
OF SMALL SIZE

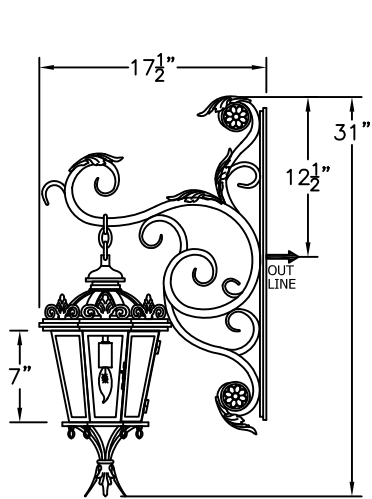
\* ACTUAL DIMENSIONS MAY VARY UP TO 1/2"

CUSTOM DRAWING CHANGES:

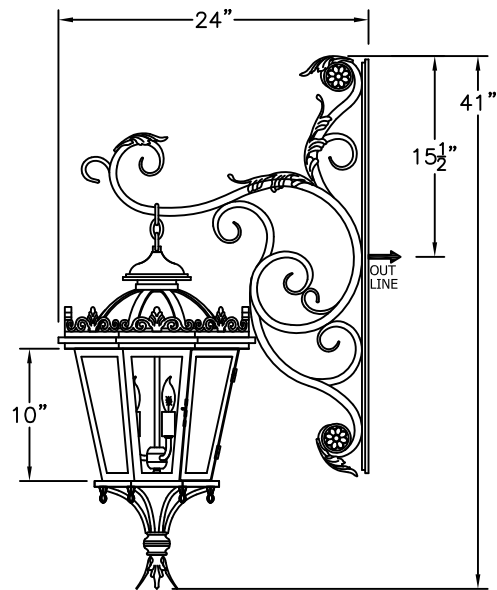
© 2011 SOLARA ENCHAINMENT  
UNAUTHORIZED USE OF THIS  
PLAN IS IN VIOLATION OF THE  
U.S. COPYRIGHT ACT TITLE 17



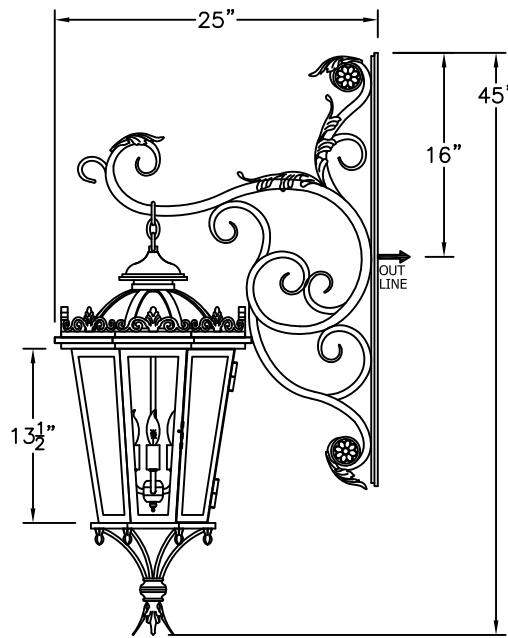
DESIGN:	VERSAILLES
LINE:	TORCH MOUNT
FILE:	D-004-09SET-EL-S100-2
DATE REV:	09-FEB-11



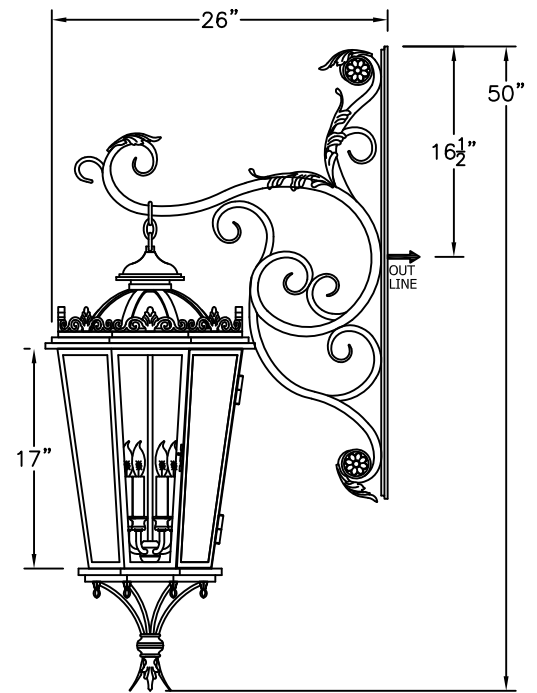
SMALL  
D-004-101  
10" W x 31" H x 17 1/2" D



MEDIUM  
D-004-102  
15" W x 41" H x 24" D



LARGE  
D-004-103  
15" W x 45" H x 25" D



XLARGE  
D-004-104  
16" W x 50" H x 26" D

ONLY AVAILABLE  
IN ELECTRIC

\* ACTUAL DIMENSIONS MAY VARY UP TO 1/2"

CUSTOM DRAWING CHANGES:

© 2011 SOLARA ENCHAINMENT  
UNAUTHORIZED USE OF THIS  
PLAN IS IN VIOLATION OF THE  
U.S. COPYRIGHT ACT TITLE 17



DESIGN:	VERSAILLES
LINE:	HANGING MOUNT
FILE:	D-004-10SET-EL-S100-1
DATE REV:	09-FEB-11