

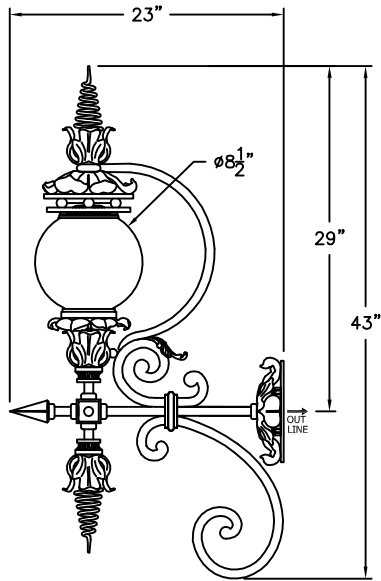


Solara lighting
2011

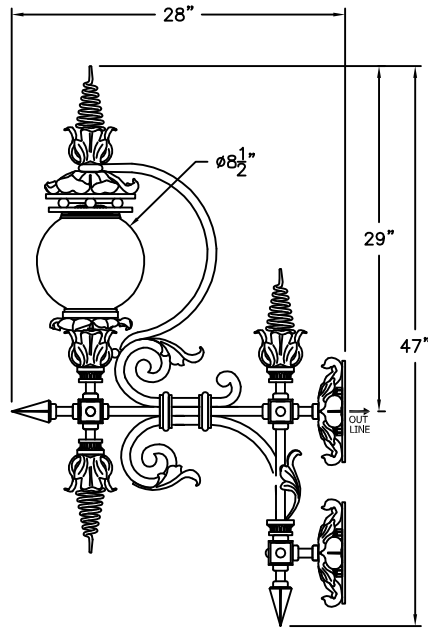
Marbella
CB-F-010



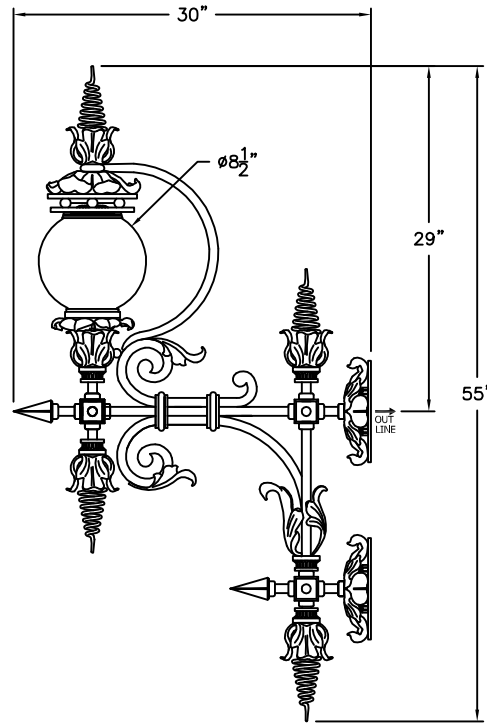
www.solaralighting.com
1-888-8SOLARA



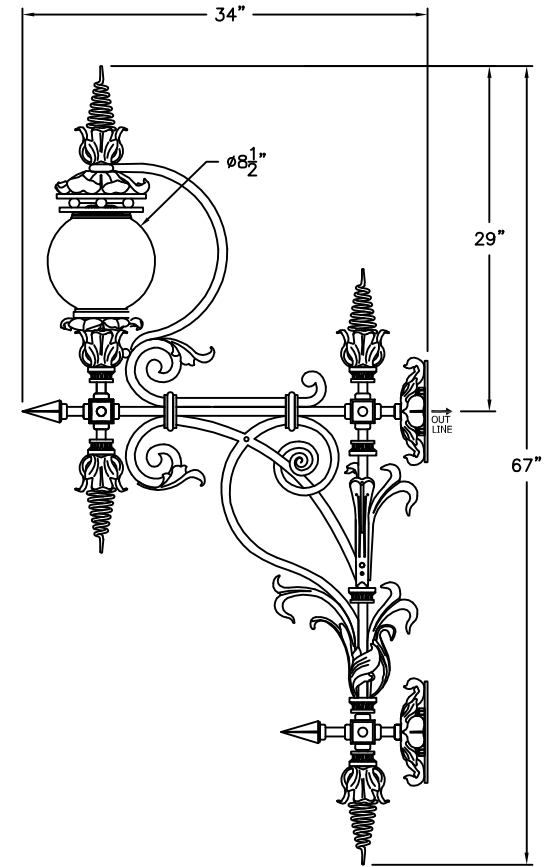
SMALL
CB-F-010-011
9" W X 43" H X 23" D



MEDIUM
CB-F-010-012
9" W X 47" H X 28" D



LARGE
CB-F-010-013
9" W X 55" H X 30" D



XLARGE
CB-F-010-014
9" W X 67" H X 34" D

ONLY AVAILABLE
IN ELECTRIC

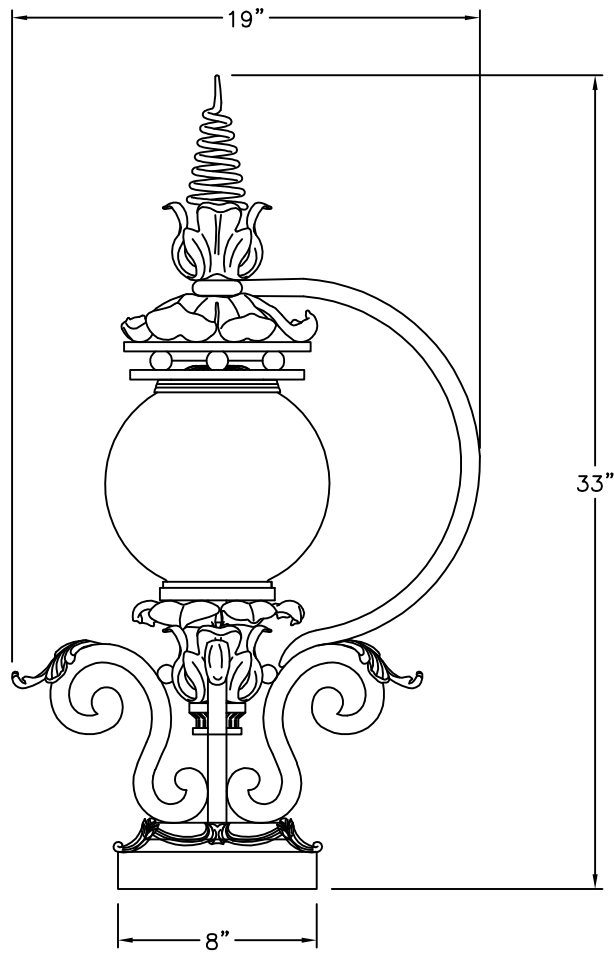
* ACTUAL DIMENSIONS MAY VARY UP TO 1/2"

CUSTOM DRAWING CHANGES:

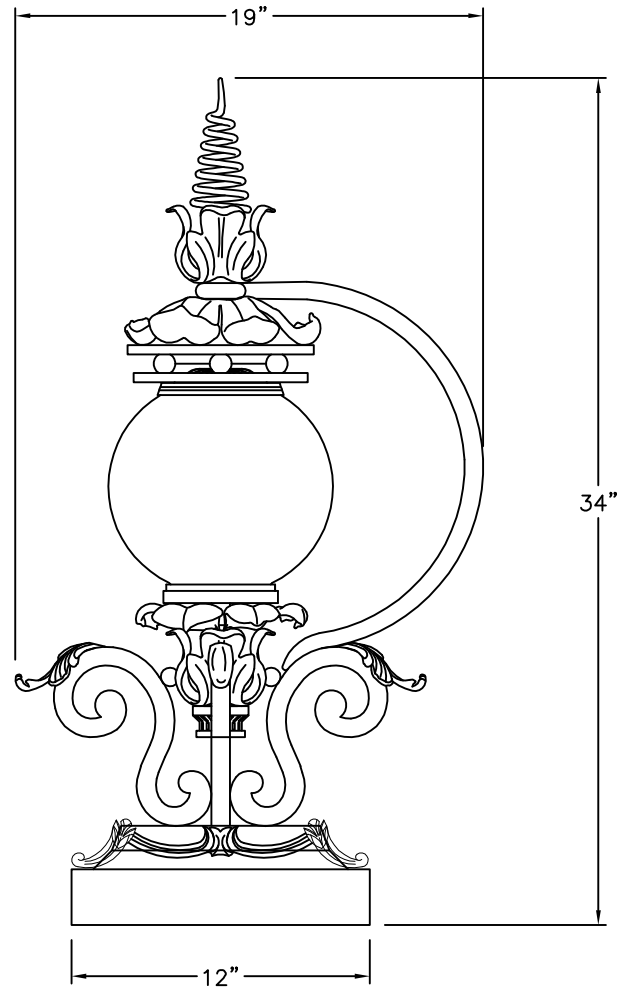
© 2010 SOLARA ENCHAINMENT
UNAUTHORIZED USE OF THIS
PLAN IS IN VIOLATION OF THE
U.S. COPYRIGHT ACT TITLE 17
OF THE U.S. CODE.



DESIGN:	MARBELLA CAST BRONZE
LINE:	WALL MOUNT
FILE:	CB-F-010-01SET-EL-S100-2
DATE REV:	27-SEPTEMBER-10



SMALL
 CB-F-010-061
 9" W X 33" H X 19" D



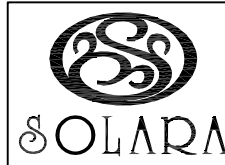
MEDIUM
 CB-F-010-062
 9" W X 34" H X 19" D

ONLY AVAILABLE
 IN ELECTRIC

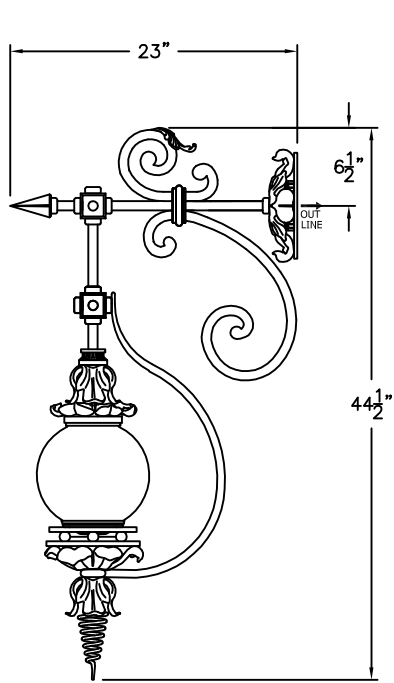
* ACTUAL DIMENSIONS MAY VARY UP TO 1/2"

CUSTOM DRAWING CHANGES:

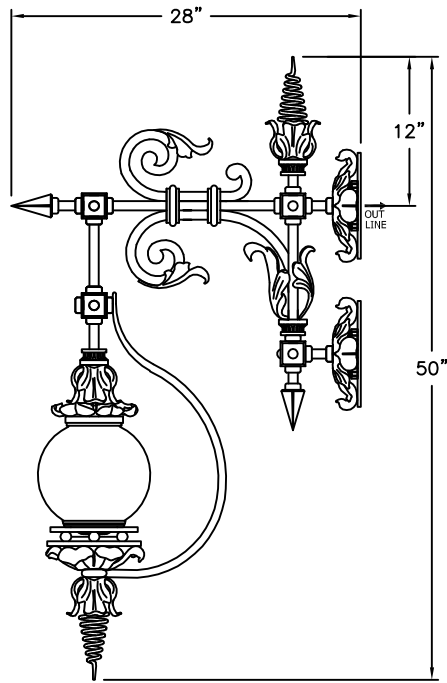
© 2010 SOLARA ENCHAINMENT
 UNAUTHORIZED USE OF THIS
 PLAN IS IN VIOLATION OF THE
 U.S. COPYRIGHT ACT TITLE 17
 OF THE U.S. CODE.



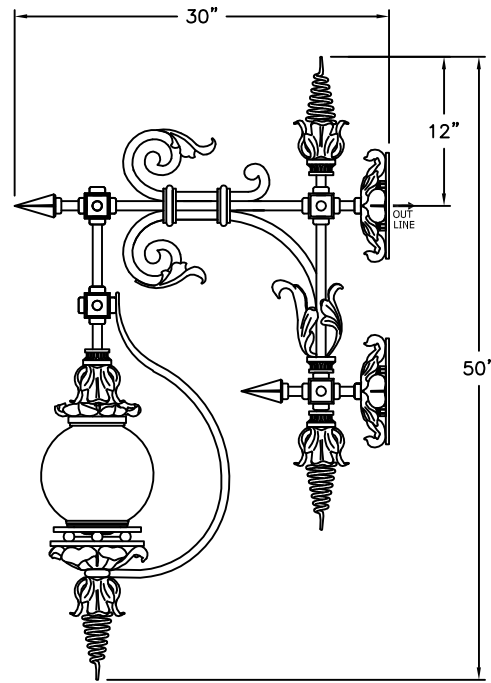
DESIGN:	MARBELLA CAST BRONZE
LINE:	PIER MOUNT
FILE:	CB-F-010-06SET-EL-S100-2
DATE REV:	18-NOV-10



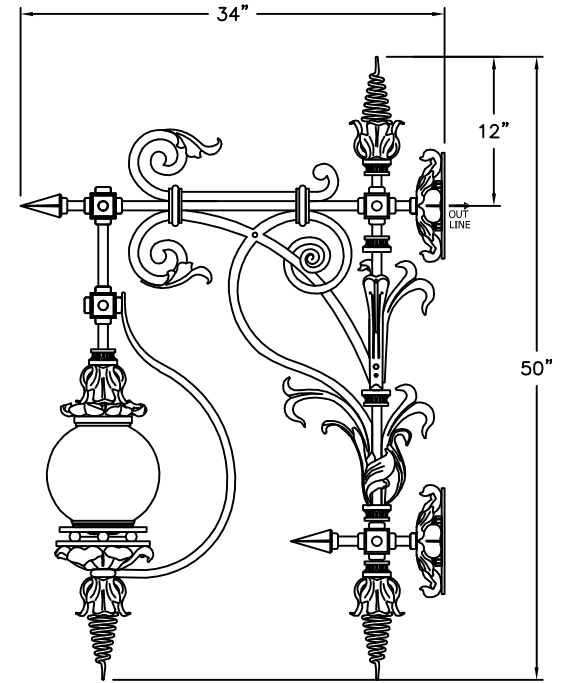
SMALL
CB-F-010-101
9" W X 44 1/2" H X 23" D



MEDIUM
CB-F-010-102
9" W X 50" H X 28" D



LARGE
CB-F-010-103
9" W X 50" H X 30" D



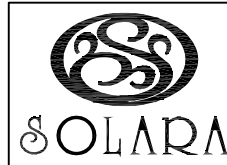
XLARGE
CB-F-010-104
9" W X 50" H X 34" D

ONLY AVAILABLE
IN ELECTRIC

* ACTUAL DIMENSIONS MAY VARY UP TO 1/2"

CUSTOM DRAWING CHANGES:

© 2011 SOLARA ENCHAINMENT
UNAUTHORIZED USE OF THIS
PLAN IS IN VIOLATION OF THE
U.S. COPYRIGHT ACT TITLE 17
OF THE U.S. CODE.



DESIGN:	MARBELLA CAST BRONZE
LINE:	HANGING MOUNT
FILE:	CB-F-010-10SET-EL-S100-1
DATE REV:	02-FEB-11