



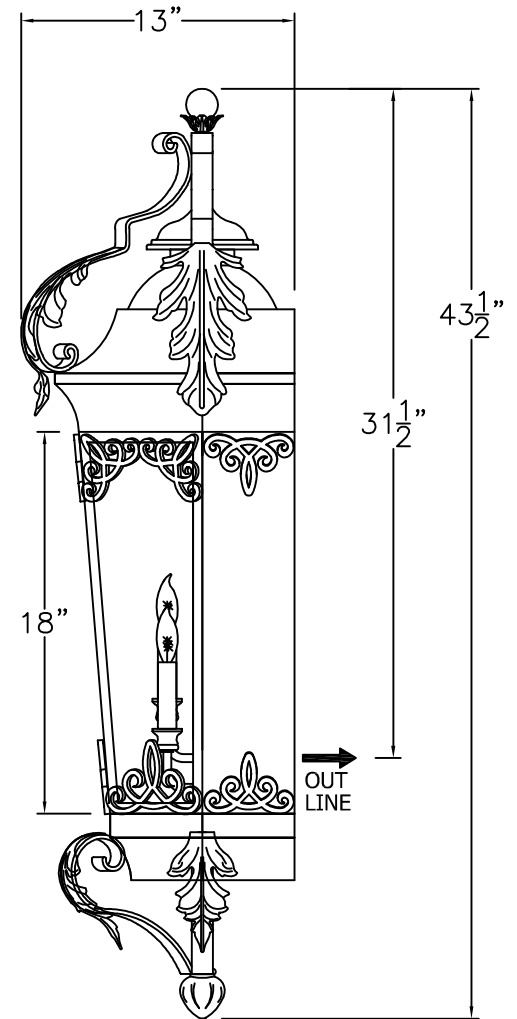
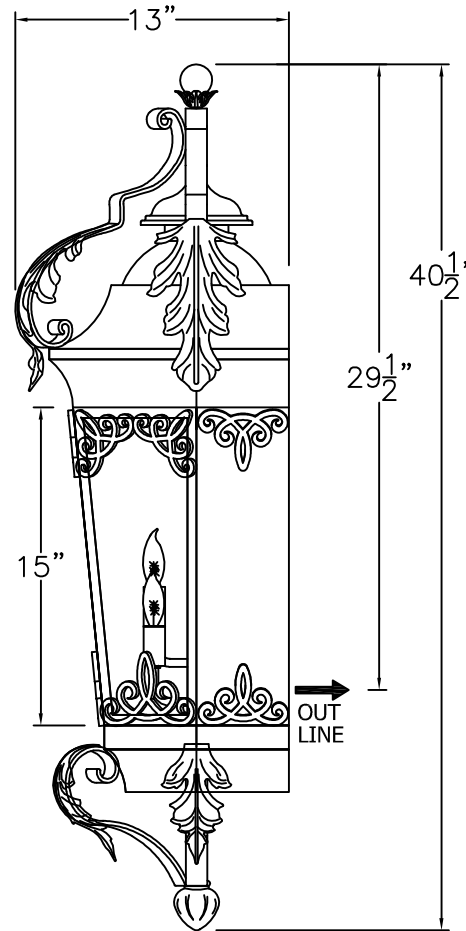
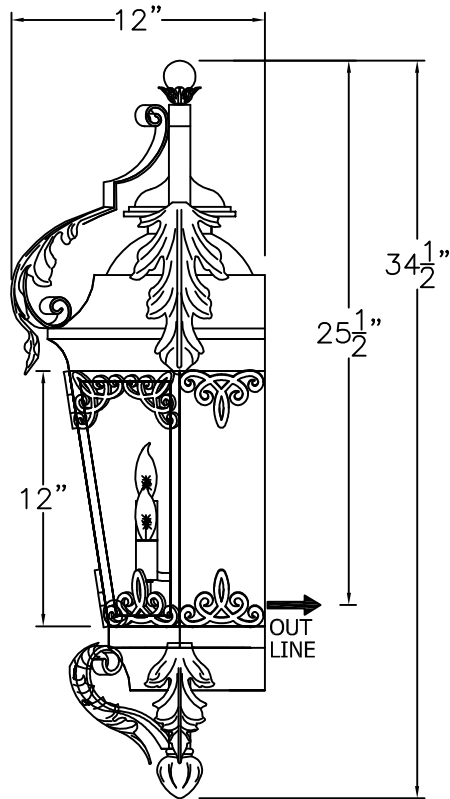
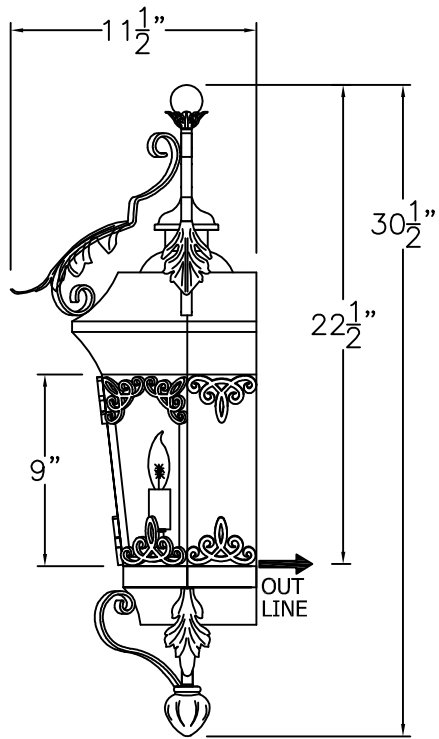
SOLARA

Iron Doors & Lighting



San Miguel - F003





SMALL
F-003-001

18" W x 30 1/2" H x 11 1/2" D

MEDIUM
F-003-002

18" W x 34 1/2" H x 12" D

LARGE
F-003-003

19" W x 40 1/2" H x 13" D

EXTRA LARGE
F-003-004

19" W x 43 1/2" H x 13" D

ONLY AVAILABLE
IN ELECTRIC

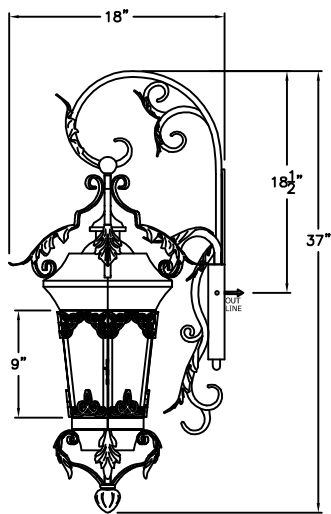
* ACTUAL DIMENSIONS MAY VARY UP TO 1/2"

CUSTOM DRAWING CHANGES:

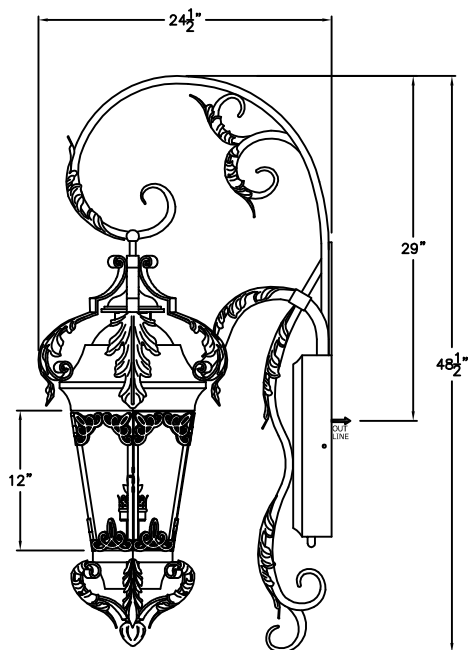
© 2011 SOLARA ENCHAINMENT
UNAUTHORIZED USE OF THIS
PLAN IS IN VIOLATION OF THE
U.S. COPYRIGHT ACT TITLE 17
OF THE U.S. CODE



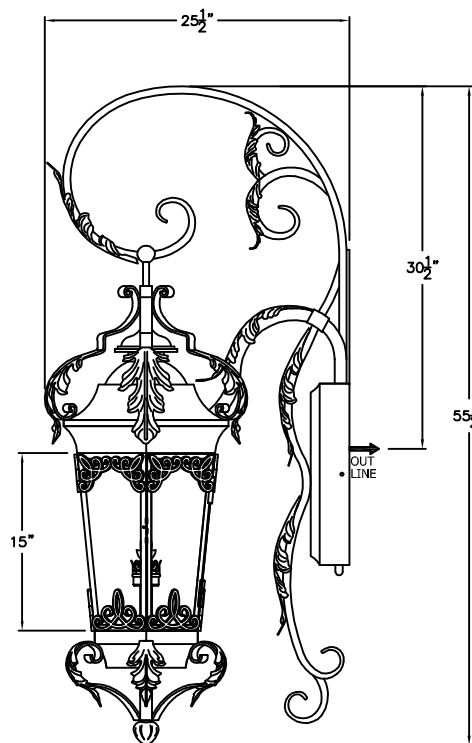
DESIGN:	SAN MIGUEL
LINE:	FLUSH SCONCE
FILE:	F-003-00SET-EL-S100-1
DATE REV:	2-MAR-11



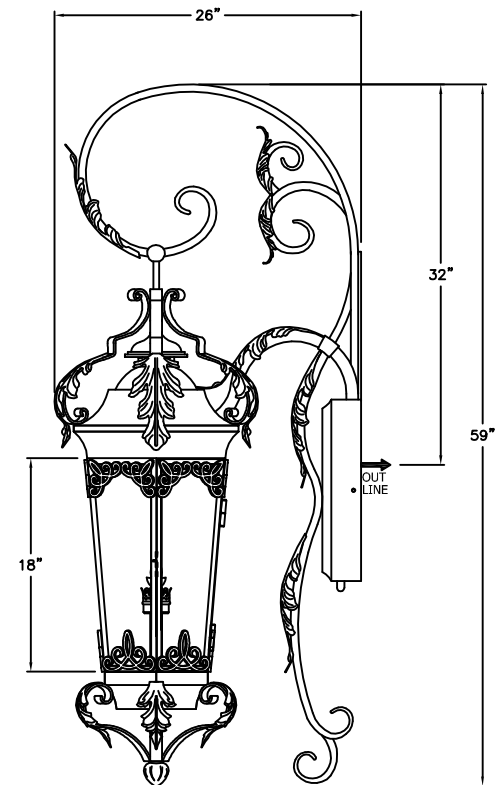
SMALL
F-003-011
18" W x 37" H x 18" D



MEDIUM
F-003-012
18" W x 48 1/2" H x 24 1/2" D



LARGE
F-003-013
19" W x 55 1/2" H x 25 1/2" D



EXTRA LARGE
F-003-014
19" W x 59" H x 26" D

AVAILABLE IN
GAS & ELECTRIC
WITH EXCEPTION
OF SMALL SIZE

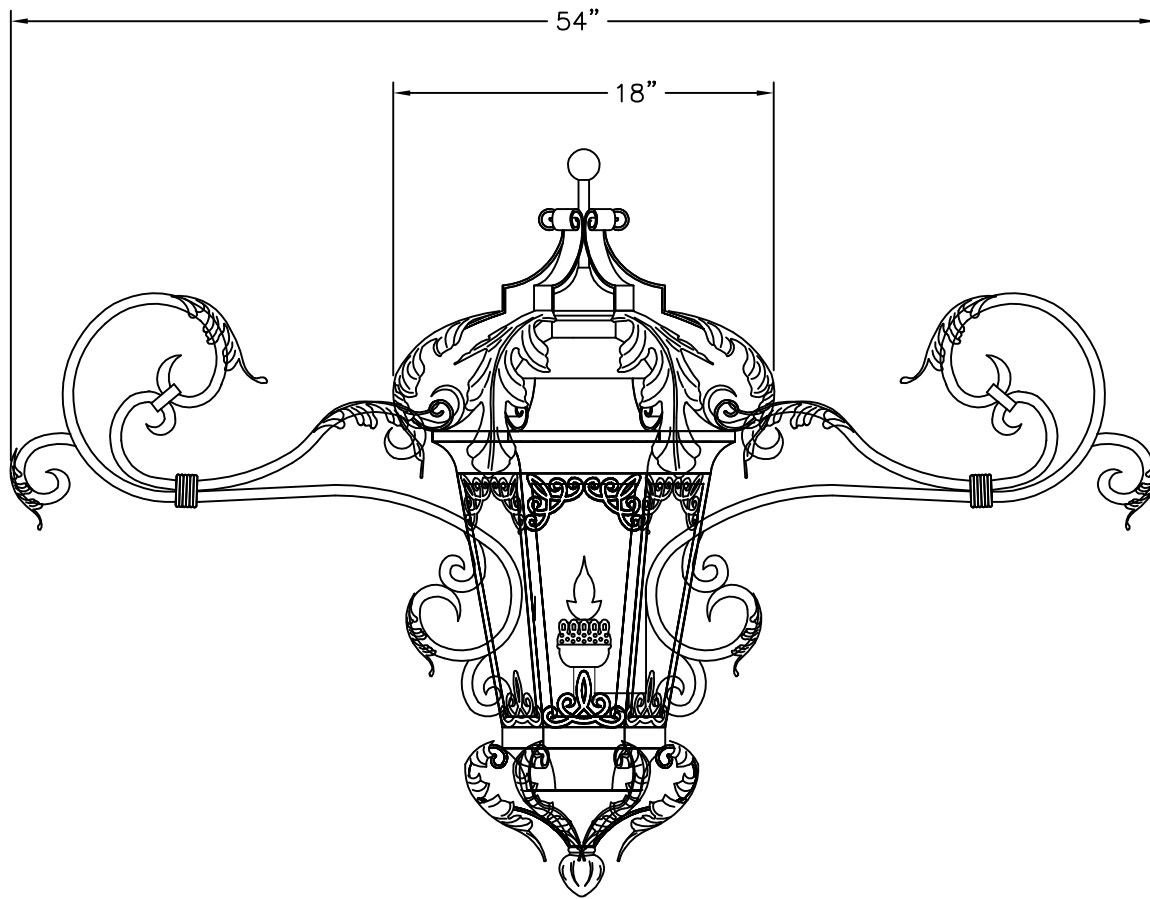
* ACTUAL DIMENSIONS MAY VARY UP TO 1/2"

CUSTOM DRAWING CHANGES:

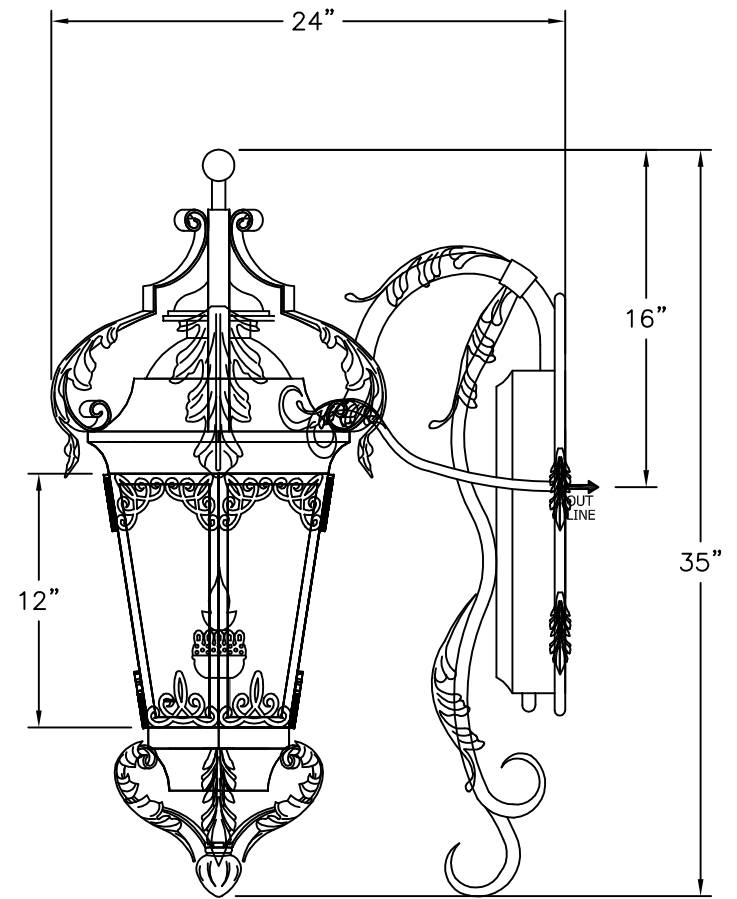
© 2011 SOLARA ENCHAINMENT
UNAUTHORIZED USE OF THIS
PLAN IS IN VIOLATION OF THE
U.S. COPYRIGHT ACT TITLE 17
OF THE U.S. CODE



DESIGN:	SAN MIGUEL
LINE:	WALL MOUNT
FILE:	F-003-01SET-EG-S100-3
DATE REV:	12-SEP-11



FRONT VIEW



SIDE VIEW

MEDIUM
 F-003-022
 54"W X 35"H X 24"D

AVAILABLE IN
 GAS & ELECTRIC
 WITH EXCEPTION
 OF SMALL SIZE

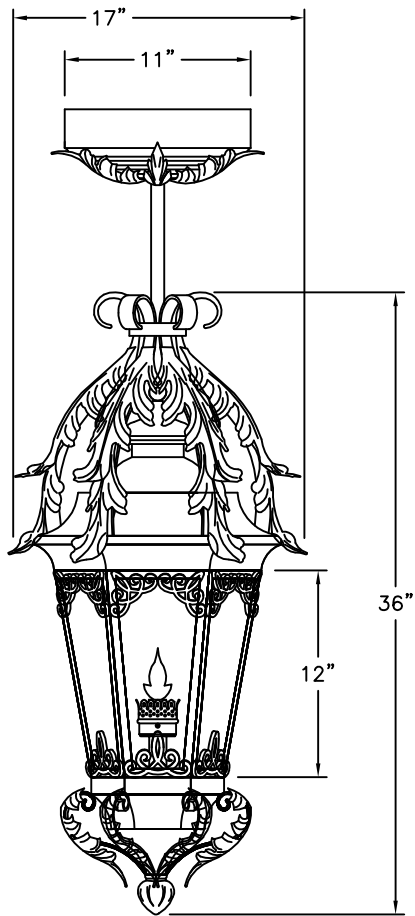
* ACTUAL DIMENSIONS MAY VARY UP TO 1/2"

CUSTOM DRAWING CHANGES:

© 2010 SOLARA ENCHAINMENT
 UNAUTHORIZED USE OF THIS
 PLAN IS IN VIOLATION OF THE
 U.S. COPYRIGHT ACT TITLE 17
 OF THE U.S. CODE

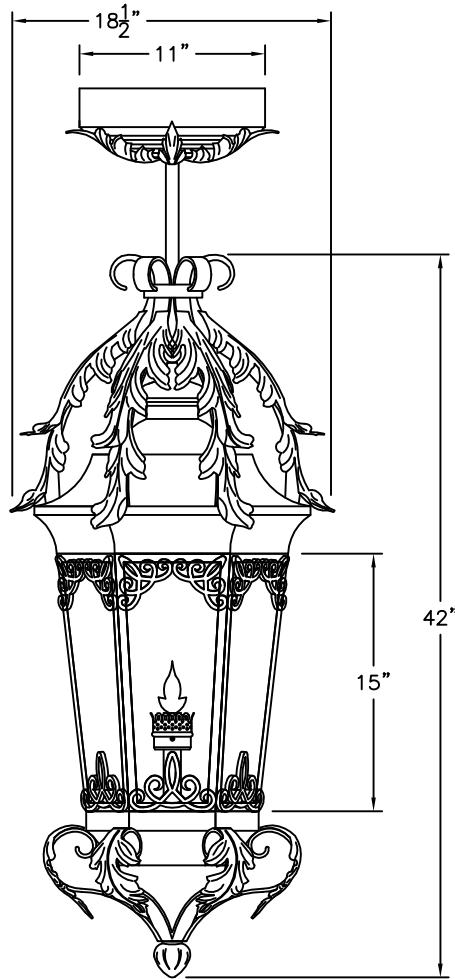


DESIGN:	SAN MIGUEL
LINE:	CENTRAL MOUNT
FILE:	F-003-022-EG-S100-2
DATE REV:	04-AUGUST-10



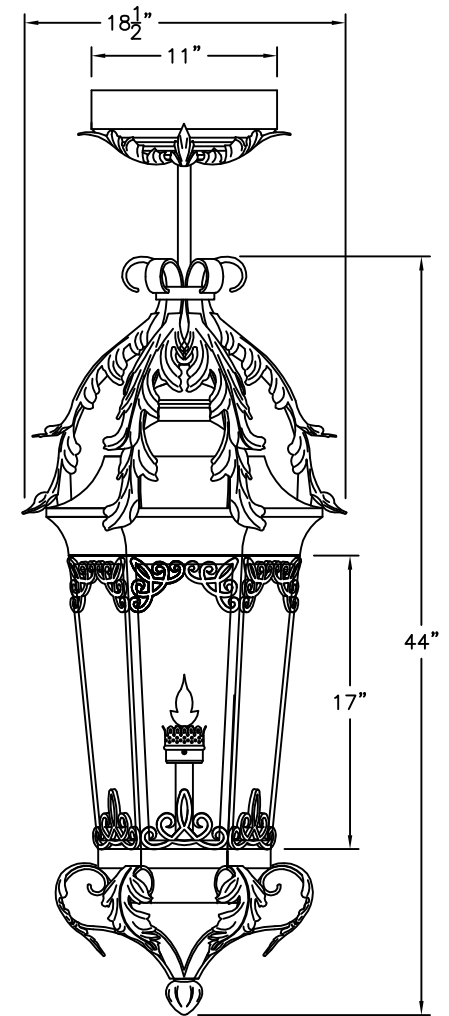
MEDIUM
F-003-032

17" W x 36" H x 14¹/₂" D



LARGE
F-003-033

18¹/₂" W x 42" H x 16" D



XLARGE
F-003-034

18¹/₂" W x 44" H x 16" D

AVAILABLE IN
GAS & ELECTRIC
WITH EXCEPTION
OF SMALL SIZE

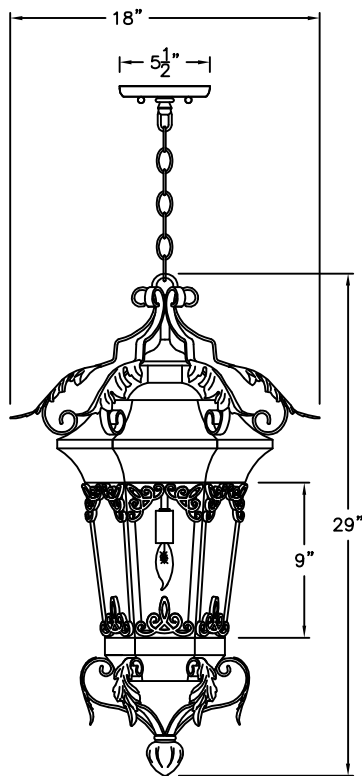
* ACTUAL DIMENSIONS MAY VARY UP TO 1/2"

CUSTOM DRAWING CHANGES:

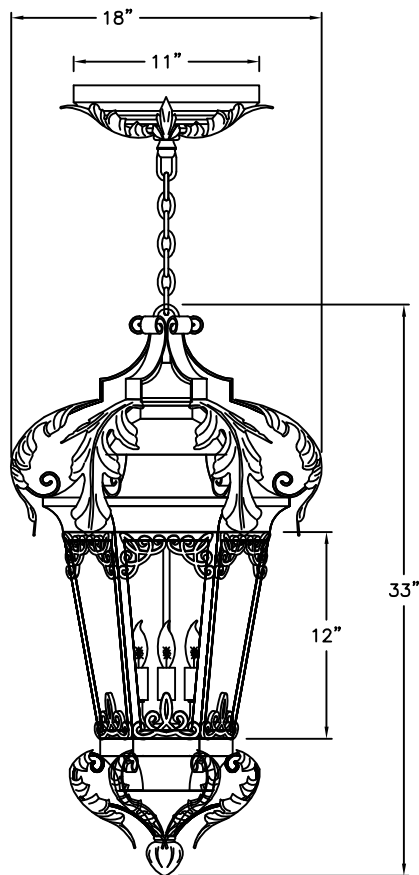
© 2011 SOLARA ENCHAINMENT
UNAUTHORIZED USE OF THIS
PLAN IS IN VIOLATION OF THE
U.S. COPYRIGHT ACT TITLE 17
OF THE U.S. CODE



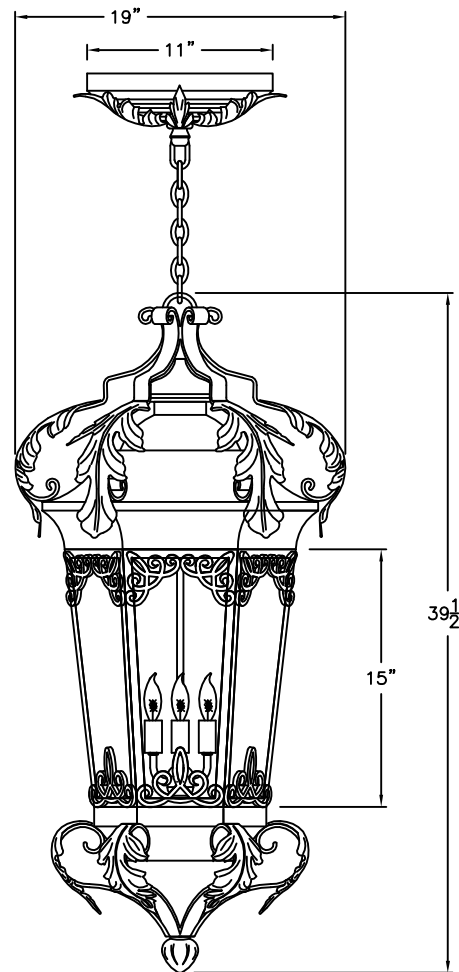
DESIGN:	SAN MIGUEL
LINE:	PENDANT STEM
FILE:	F-003-03SET-EG-S100-2
DATE REV:	23-JUNE-11



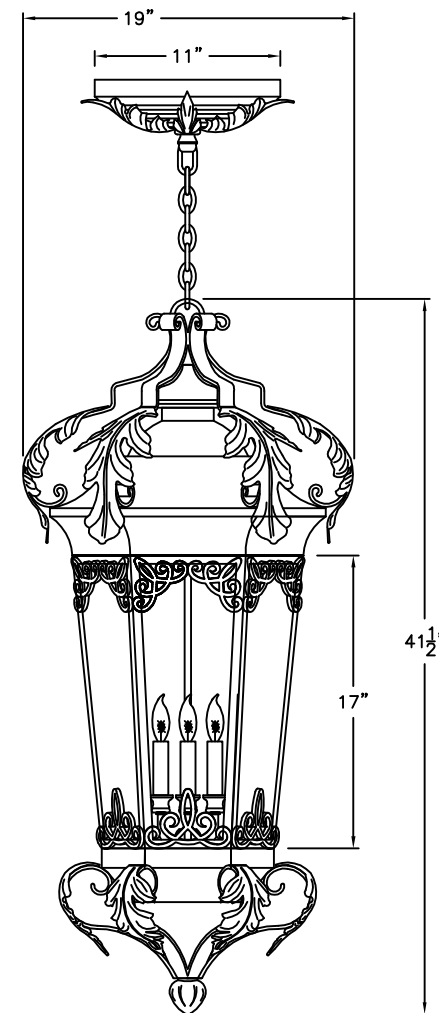
SMALL
F-003-041
18" W x 29" H x 15 1/2" D



MEDIUM
F-003-042
18" W x 33" H x 15 1/2" D



LARGE
F-003-043
19" W x 39 1/2" H x 16 1/2" D



EXTRALARGE
F-003-044
19" W x 41 1/2" H x 16 1/2" D

ONLY AVAILABLE
IN ELECTRIC

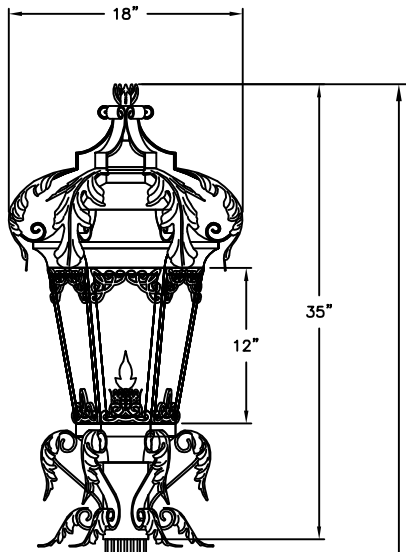
* ACTUAL DIMENSIONS MAY VARY UP TO 1/2"

CUSTOM DRAWING CHANGES:

© 2011 SOLARA ENCHAINMENT
UNAUTHORIZED USE OF THIS
PLAN IS IN VIOLATION OF THE
U.S. COPYRIGHT ACT TITLE 17
OF THE U.S. CODE

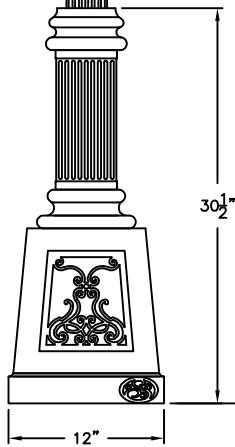


DESIGN:	SAN MIGUEL
LINE:	PENDANT CHAIN
FILE:	F-003-04SET-EL-S100-4
DATE REV:	23-JUNE-11

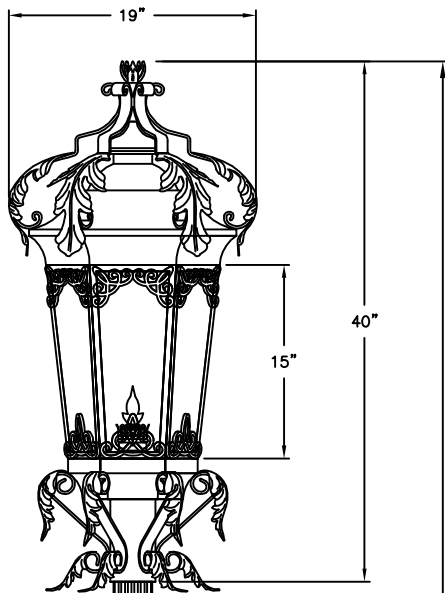


MEDIUM
F-003-052
18" W x 35" H x 15 $\frac{1}{2}$ " D

8' or Custom

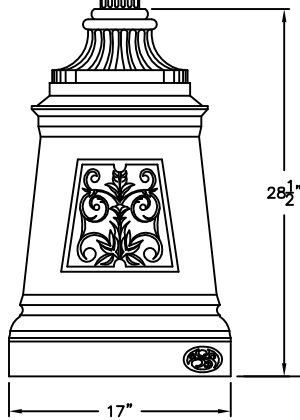


SOLARA BASE

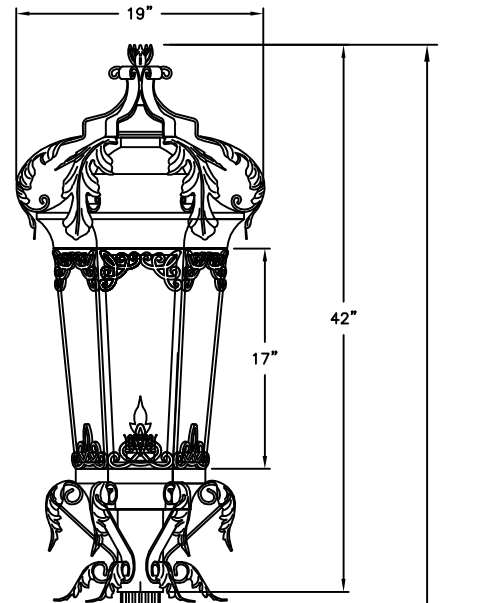


LARGE
F-003-053
19" W x 40" H x 16 $\frac{1}{2}$ " D

9' or Custom

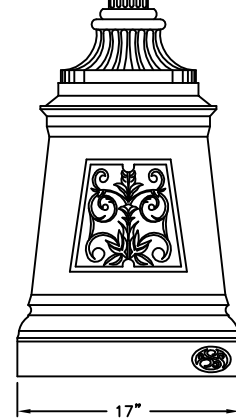


MUNICH BASE



XLARGE
F-003-054
19" W x 42" H x 16 $\frac{1}{2}$ " D

10' or Custom



AVAILABLE IN
GAS & ELECTRIC
WITH EXCEPTION
OF SMALL SIZE

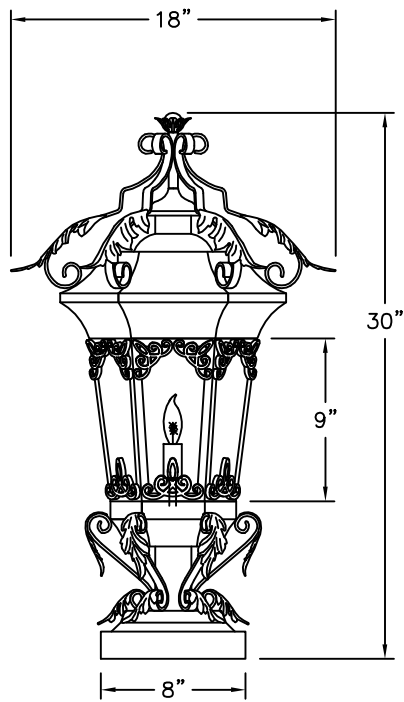
* POST ARE SOLD SEPARATELY
* ACTUAL DIMENSIONS MAY VARY UP TO 1/2"

CUSTOM DRAWING CHANGES:

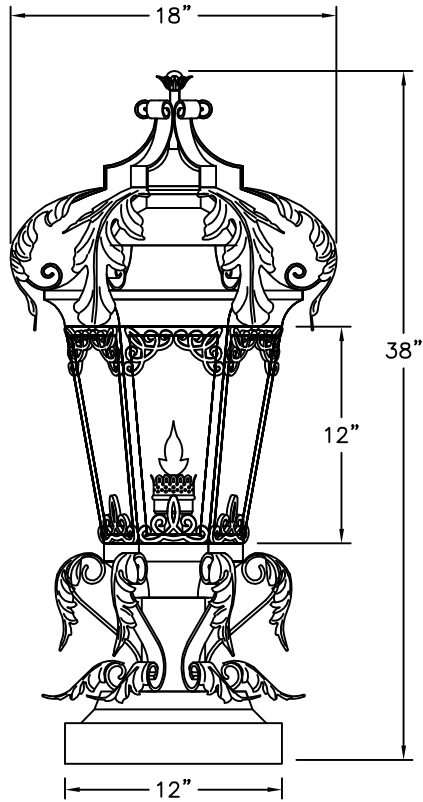
© 2011 SOLARA ENCHAINMENT
UNAUTHORIZED USE OF THIS
PLAN IS IN VIOLATION OF THE
U.S. COPYRIGHT ACT TITLE 17
OF THE U.S. CODE



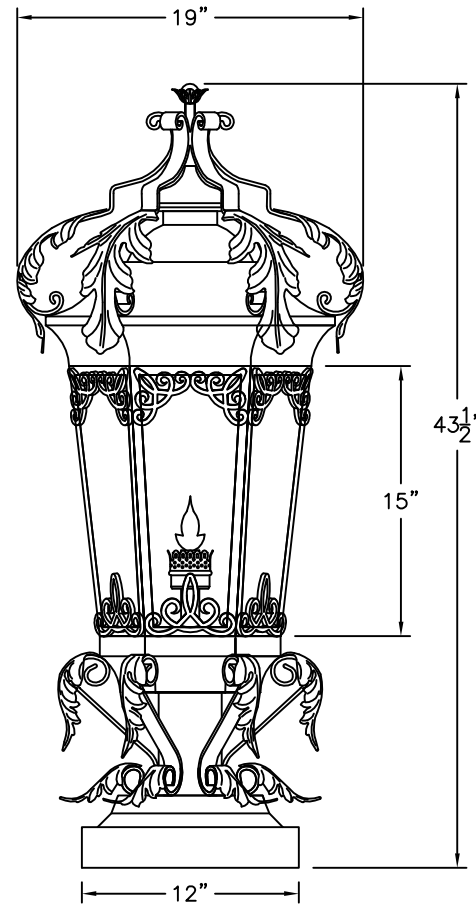
DESIGN: SAN MIGUEL
LINE: POST MOUNT
FILE: F-003-05SET-EG-S100-2
DATE REV: 23-JUNE-11



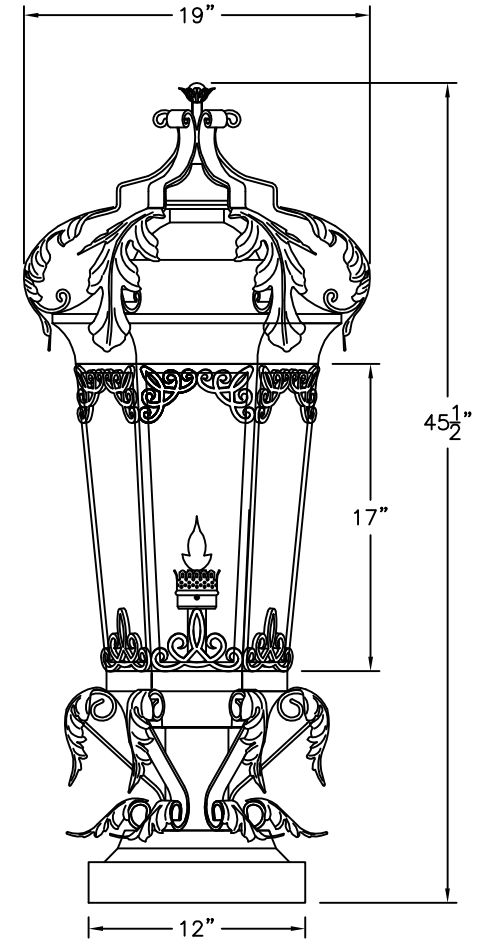
SMALL
F-003-061
18" W x 30" H x 15½" D



MEDIUM
F-003-062
18" W x 38" H x 15½" D



LARGE
F-003-063
19" W x 43½" H x 16½" D



XTRA LARGE
F-003-064
19" W x 45½" H x 16½" D

AVAILABLE IN
GAS & ELECTRIC
WITH EXCEPTION
OF SMALL SIZE

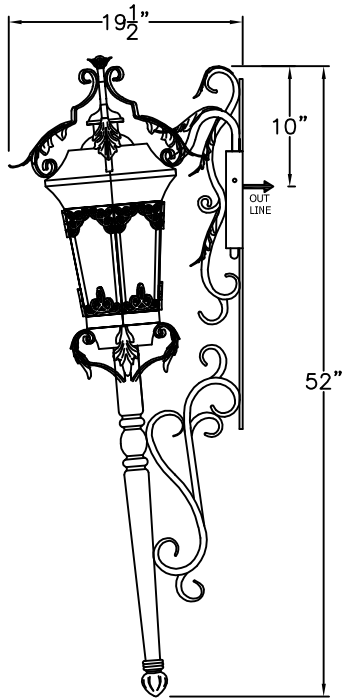
* ACTUAL DIMENSIONS MAY VARY UP TO 1/2"

CUSTOM DRAWING CHANGES:

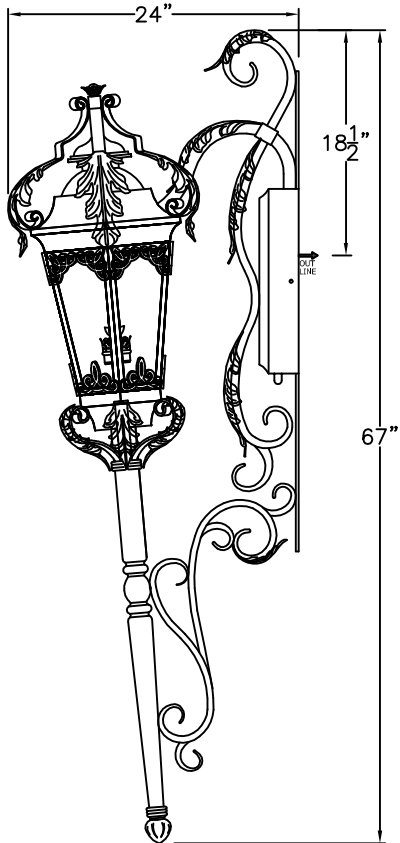
© 2011 SOLARA ENCHAINMENT
UNAUTHORIZED USE OF THIS
PLAN IS IN VIOLATION OF THE
U.S. COPYRIGHT ACT TITLE 17
OF THE U.S. CODE



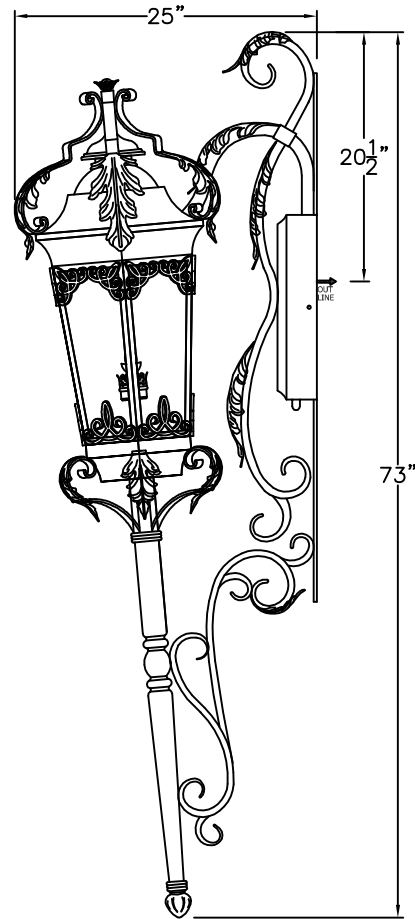
DESIGN:	SAN MIGUEL
LINE:	PIER MOUNT
FILE:	F-003-06SET-EG-S100-2
DATE REV:	23-JUNE-11



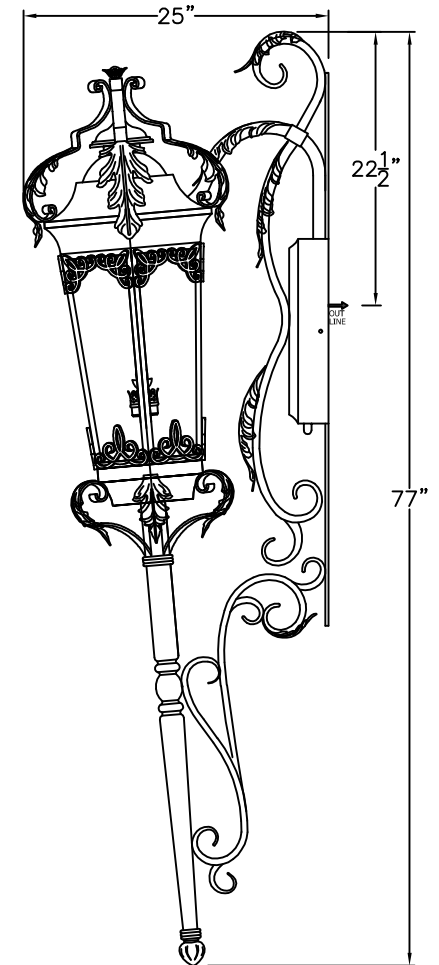
SMALL
F-003-081
 18" W x 52" H x 19 1/2" D



MEDIUM
F-003-082
 18" W x 67" H x 24" D



LARGE
F-003-083
 19" W x 73" H x 25" D



XLARGE
F-003-084
 19" W x 77" H x 25" D

AVAILABLE IN
 GAS & ELECTRIC
 WITH EXCEPTION
 OF SMALL SIZE

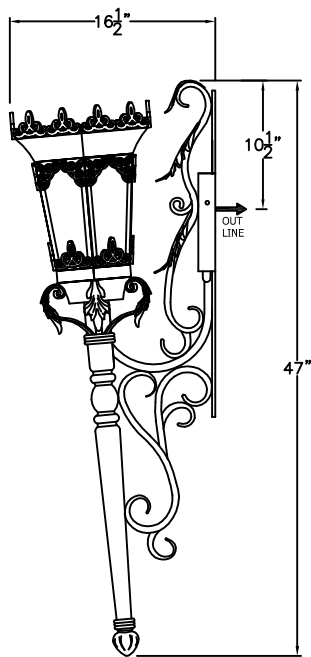
* ACTUAL DIMENSIONS MAY VARY UP TO 1/2"

CUSTOM DRAWING CHANGES:

© 2011 SOLARA ENCHAINMENT
 UNAUTHORIZED USE OF THIS
 PLAN IS IN VIOLATION OF THE
 U.S. COPYRIGHT ACT TITLE 17
 OF THE U.S. CODE

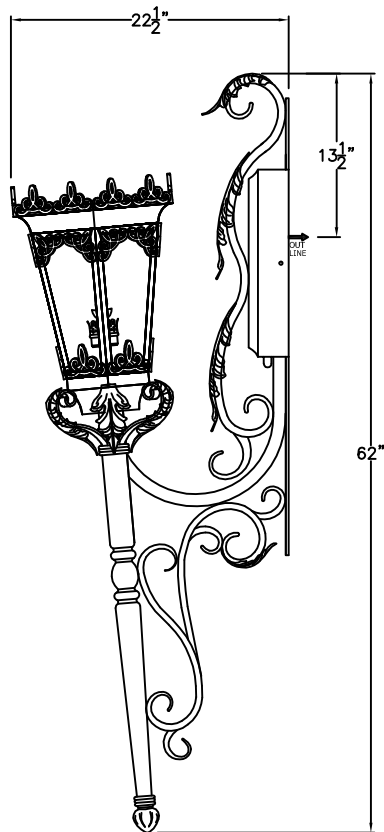


DESIGN:	SAN MIGUEL
LINE:	TORCH MOUNT
FILE:	F-003-08SET-EG-S100-1
DATE REV:	11-MAR-11



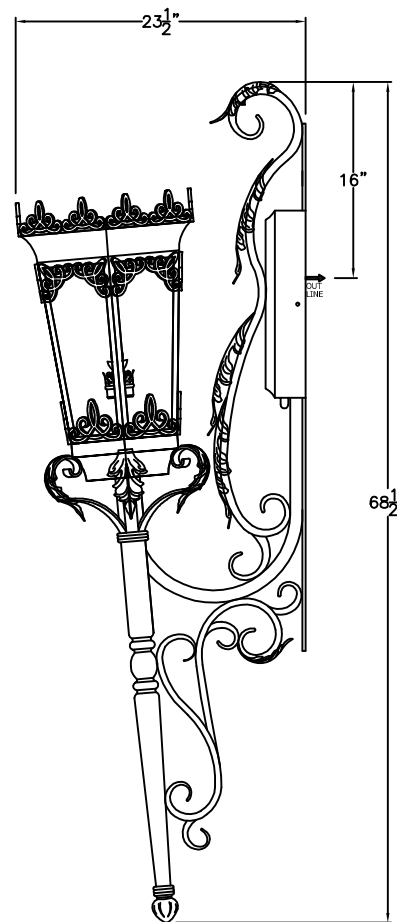
SMALL
F-003-091

13" W x 47" H x 16 1/2" D



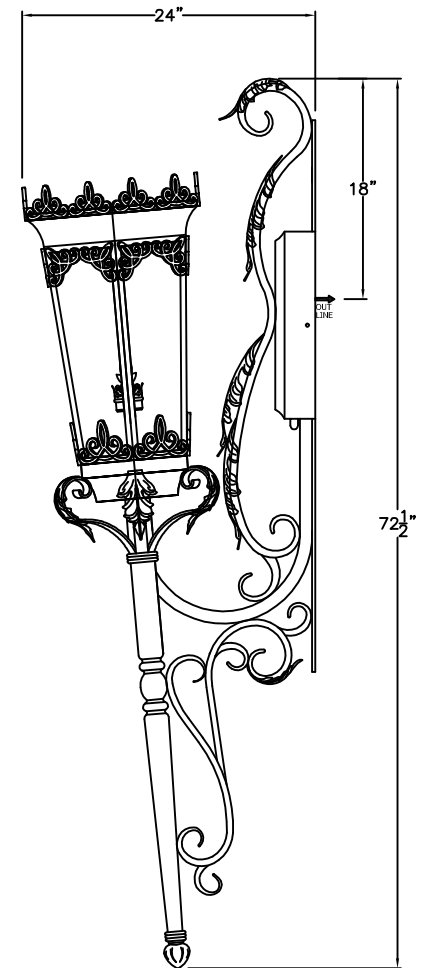
MEDIUM
F-003-092

15" W x 62" H x 22 1/2" D



LARGE
F-003-093

16 1/2" W x 68 1/2" H x 23 1/2" D



XLARGE
F-003-094

16 1/2" W x 72 1/2" H x 24" D

AVAILABLE IN
GAS & ELECTRIC
WITH EXCEPTION
OF SMALL SIZE

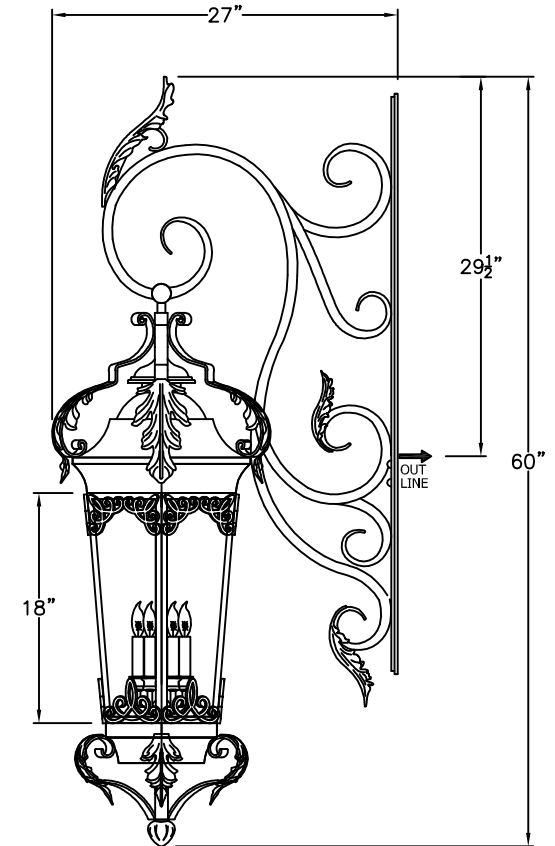
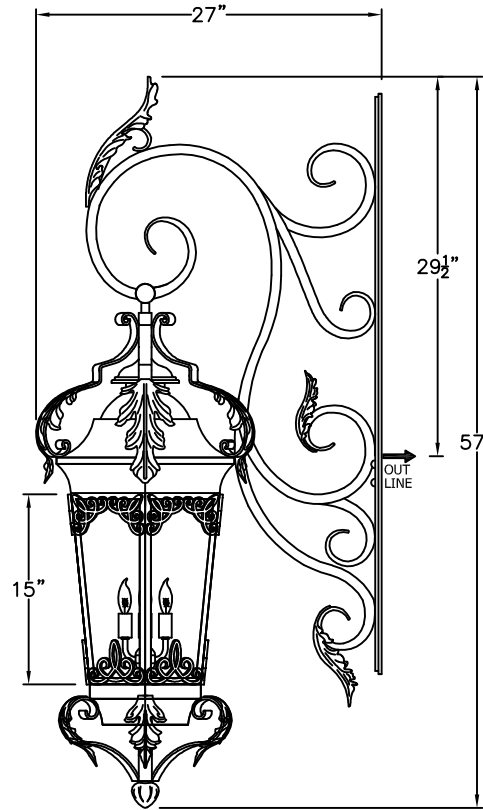
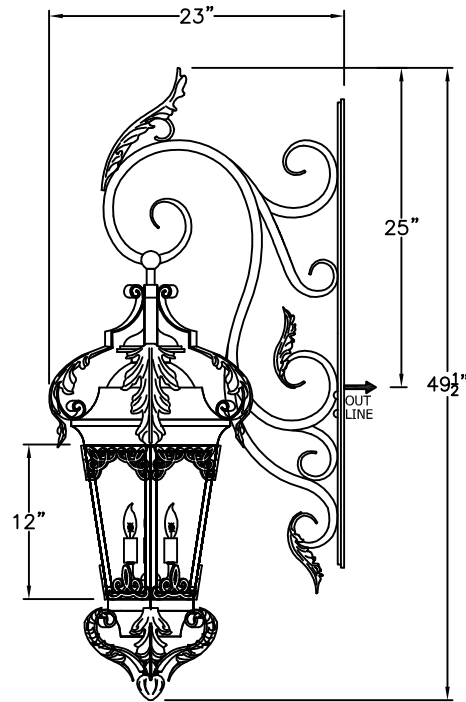
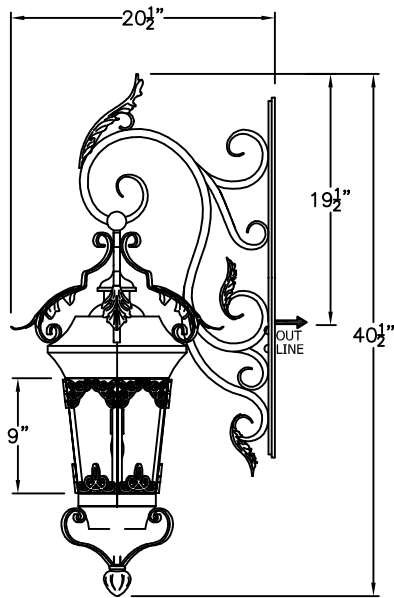
* ACTUAL DIMENSIONS MAY VARY UP TO 1/2"

CUSTOM DRAWING CHANGES:

© 2011 SOLARA ENCHAINMENT
UNAUTHORIZED USE OF THIS
PLAN IS IN VIOLATION OF THE
U.S. COPYRIGHT ACT TITLE 17
OF THE U.S. CODE



DESIGN:	SAN MIGUEL
LINE:	TORCH MOUNT
FILE:	F-003-09SET-EG-S100-1
DATE REV:	11-FEB-11



SMALL
F-003-101
18" W x 40 1/2" H x 20 1/2" D

MEDIUM
F-003-102
18" W x 49 1/2" H x 23" D

LARGE
F-003-103
19" W x 57" H x 27" D

EXTRA LARGE
F-003-104
19" W x 60" H x 27" D

ONLY AVAILABLE
IN ELECTRIC

* ACTUAL DIMENSIONS MAY VARY UP TO 1/2"

CUSTOM DRAWING CHANGES:

© 2011 SOLARA ENCHAINMENT
UNAUTHORIZED USE OF THIS
PLAN IS IN VIOLATION OF THE
U.S. COPYRIGHT ACT TITLE 17
OF THE U.S. CODE



DESIGN:	SAN MIGUEL
LINE:	HANGING MOUNT
FILE:	F-003-10SET-EL-S100-1
DATE REV:	1-MAR-11