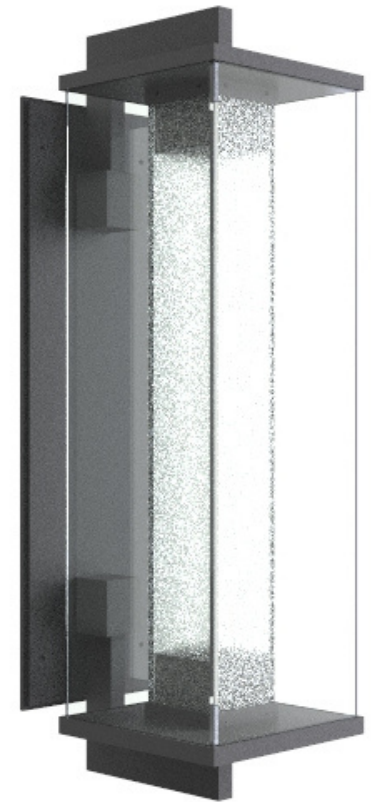




SOLARA LIGHTING

2021

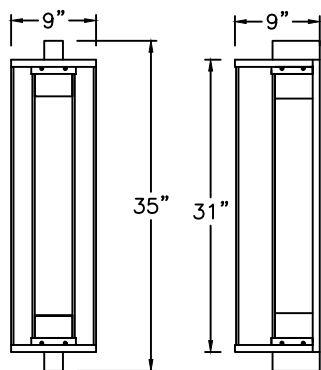
ANABELLA



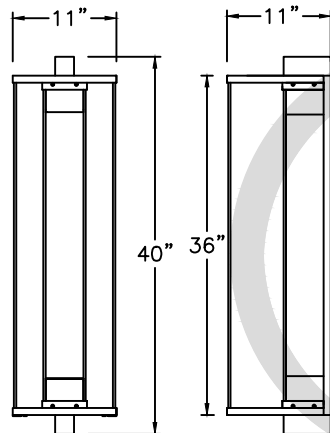
[www.solarcustomdoorsandlighting.com](http://www.solarcustomdoorsandlighting.com)

1-888-8SOLARA

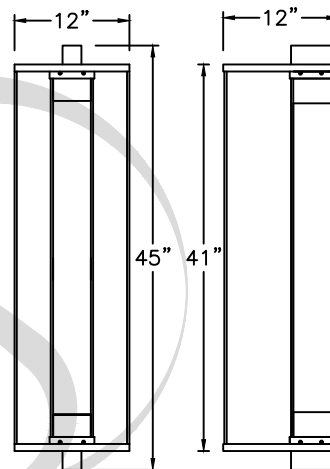
---



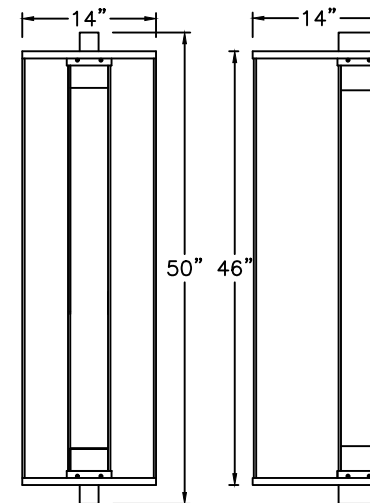
**SMALL**  
**B011-001**  
 9" W X 35" H X 9" D



**MEDIUM**  
**B011-002**  
 11" W X 40" H X 11" D



**LARGE**  
**B011-003**  
 12" W X 45" H X 12" D



**X LARGE**  
**B011-004**  
 14" W X 50" H X 14" D

SOLARA  
 custom doors + lighting

ONLY AVAILABLE  
 IN ELECTRIC

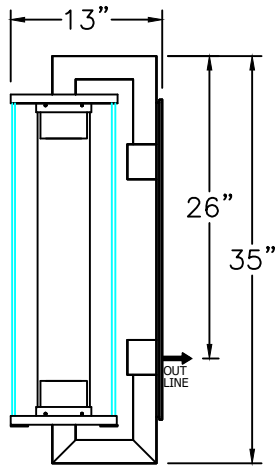
\* ACTUAL DIMENSIONS MAY VARY UP TO 1/2"

CUSTOM DRAWING CHANGES

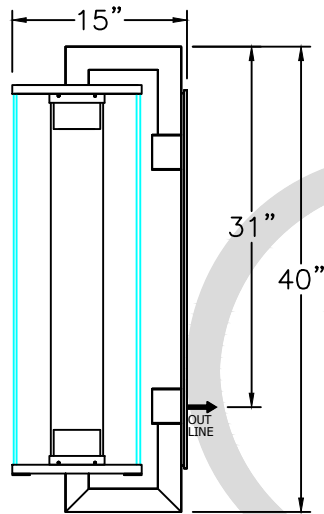
© 2017 SOLARA ENCHAINMENT  
 UNAUTHORIZED USE OF THIS  
 PLAN IS IN VIOLATION OF THE  
 U.S. COPYRIGHT ACT TITLE 17  
 OF THE U.S. CODE.



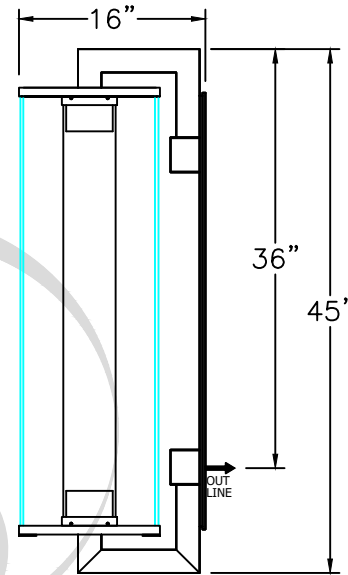
DESIGN:	ANABELLA
LINE:	FLUSH SCONCE
FILE:	OLS-MOD-B-011-00SET-EL-S100-V1
DATE REV :	28/12/20
DRAWN BY :	ADGS



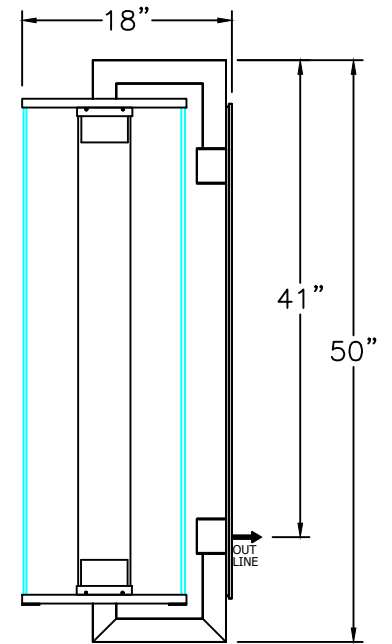
**SMALL**  
**B011-011**  
 9" W X 35" H X 13" D



**MEDIUM**  
**B011-012**  
 11" W X 40" H X 15" D



**LARGE**  
**B011-013**  
 12" W X 45" H X 16" D



**X LARGE**  
**B011-014**  
 14" W X 50" H X 18" D

AVAILABLE IN  
 GAS & ELECTRIC  
 WITH EXCEPTION  
 OF SMALL SIZE

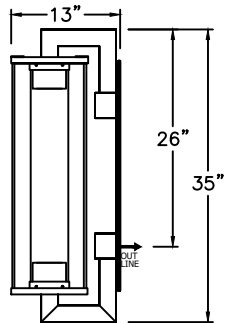
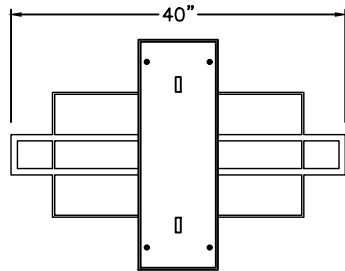
\* ACTUAL DIMENSIONS MAY VARY UP TO 1/2"

CUSTOM DRAWING CHANGES

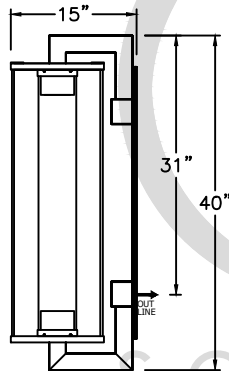
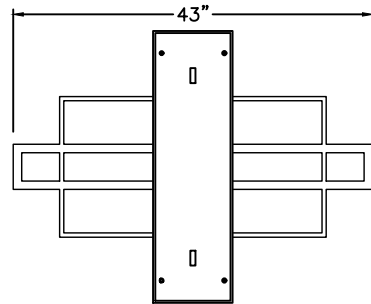
© 2017 SOLARA ENCHAINMENT  
 UNAUTHORIZED USE OF THIS  
 PLAN IS IN VIOLATION OF THE  
 U.S. COPYRIGHT ACT TITLE 17  
 OF THE U.S. CODE.



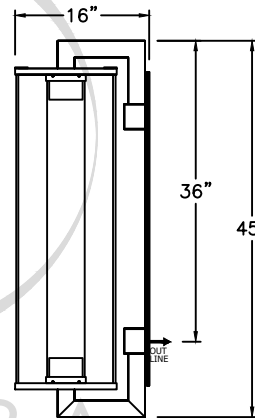
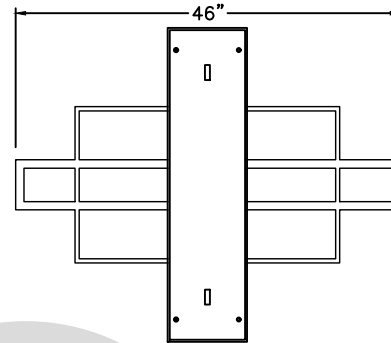
DESIGN:	ANABELLA
LINE:	WALL MOUNT
FILE:	OLS-MOD-B-011-01SET-EL-S100-V1
DATE REV :	11/12/20
DRAWN BY :	JAGP



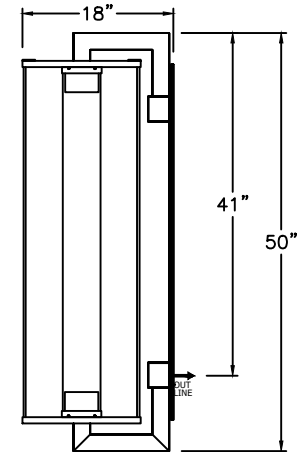
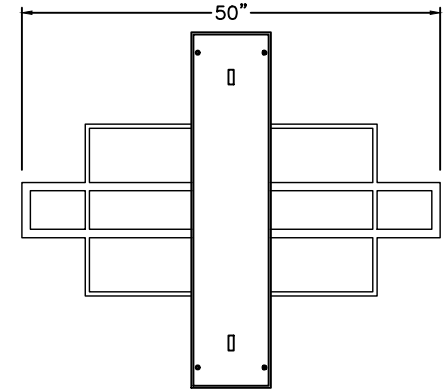
SMALL  
B011-021  
40" W X 35" H X 13" D



MEDIUM  
B011-022  
43" W X 40" H X 15" D



LARGE  
B011-023  
46" W X 45" H X 16" D



X LARGE  
B011-024  
50" W X 50" H X 18" D

AVAILABLE IN  
GAS & ELECTRIC  
WITH EXCEPTION  
OF SMALL SIZE

\* ACTUAL DIMENSIONS MAY VARY UP TO 1/2"

CUSTOM DRAWING CHANGES

© 2017 SOLARA ENCHAINMENT  
UNAUTHORIZED USE OF THIS  
PLAN IS IN VIOLATION OF THE  
U.S. COPYRIGHT ACT TITLE 17  
OF THE U.S. CODE.



DESIGN:	ANABELLA
LINE:	CENTRAL MOUNT
FILE:	OLS-MOD-B-011-02SET-EL-S100-V1
DATE REV :	28/12/20
DRAWN BY :	ADGS