



SOLARA LIGHTING

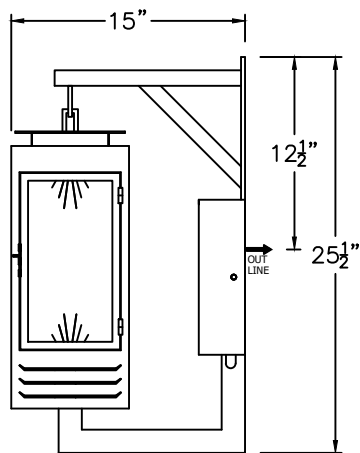
2021

MOMA II

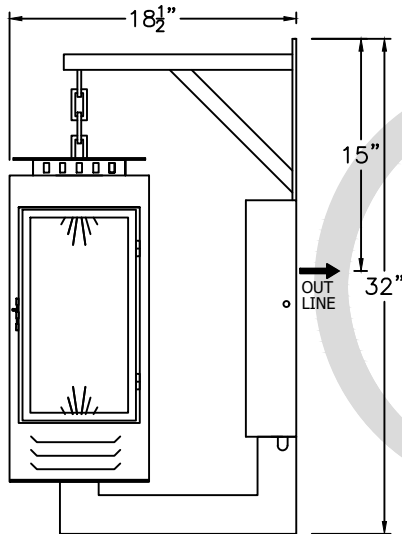


www.solarcustomdoorsandlighting.com

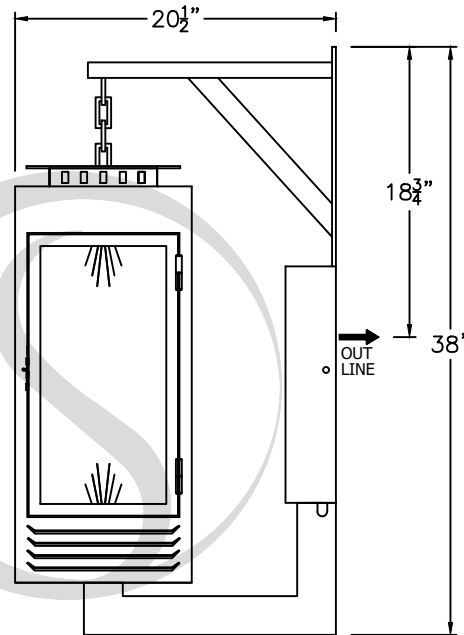
1-888-8SOLARA



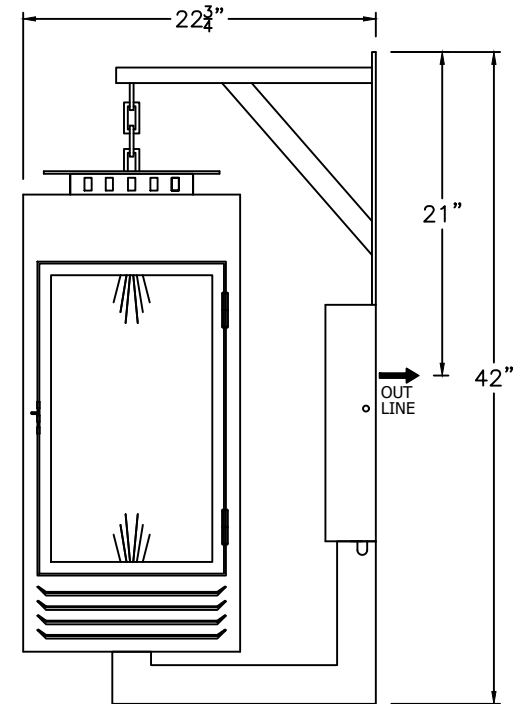
SMALL
B-009D-011
8" W X 25 1/2" H X 15" D



MEDIUM
B-009D-012
9 1/2" W X 32" H X 18" D



LARGE
B-009D-013
12" W X 38" H X 20 1/2" D



X-LARGE
B-009D-014
14 1/2" W X 42" H X 22 3/4" D

AVAILABLE IN
GAS & ELECTRIC
WITH EXCEPTION
OF SMALL SIZE

* ACTUAL DIMENSIONS MAY VARY UP TO 1/2"

CUSTOM DRAWING CHANGES

© 2017 SOLARA ENCHAINMENT
UNAUTHORIZED USE OF THIS
PLAN IS IN VIOLATION OF THE
U.S. COPYRIGHT ACT TITLE 17
OF THE U.S. CODE.



DESIGN:	MOMA II
LINE:	WALL MOUNT
FILE:	OLS-TRA-B-009D-01SET-S100-V1
DATE REV :	14/12/20
DRAWN BY :	ADGS