

SOLARA LIGHTING

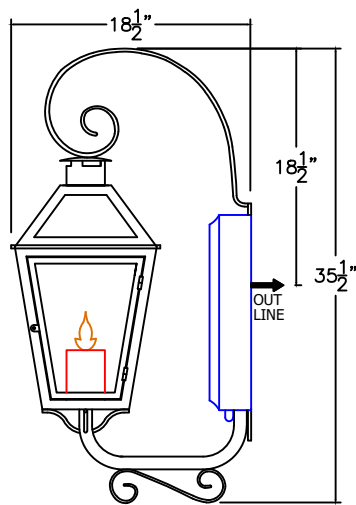
2021

MARDI GRAS

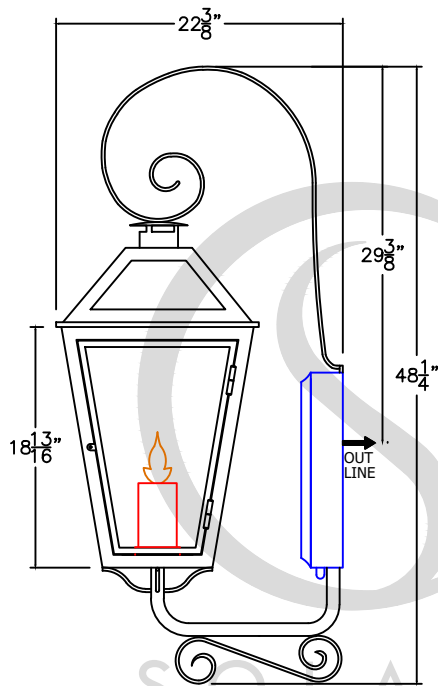


www.solarcustomdoorsandlighting.com

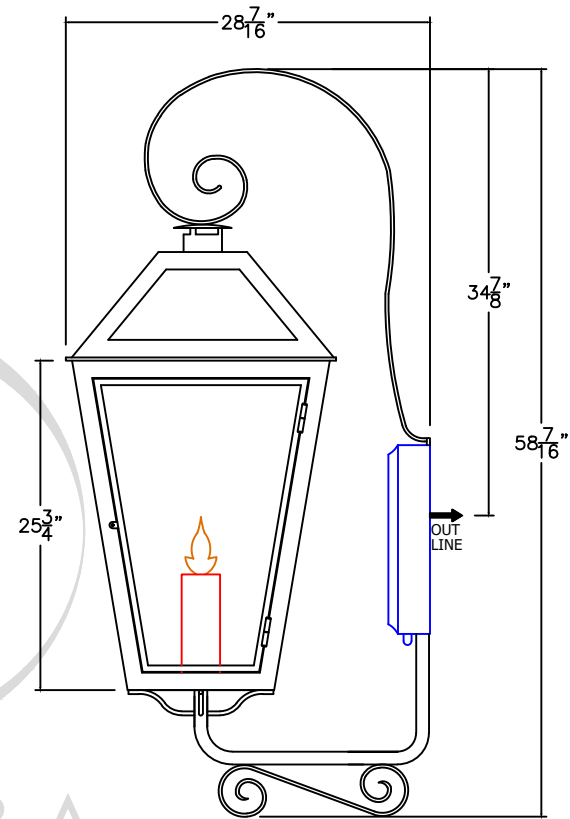
1-888-8SOLARA



MEDIUM
C-005-012
11 1/2" W x 35" H x 18 11/16" D



LARGE
C-005-013
16" W x 48 1/4" H x 22 3/8" D



XLARGE
C-005-014
21" W x 58 1/2" H x 28 1/2" D

FRONT VIEW

AVAILABLE IN
GAS & ELECTRIC
WITH EXCEPTION
OF SMALL SIZE

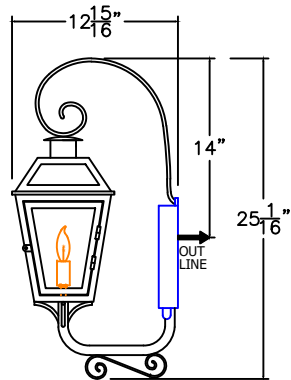
* ACTUAL DIMENSIONS MAY VARY UP TO 1/2"

CUSTOM DRAWING CHANGES

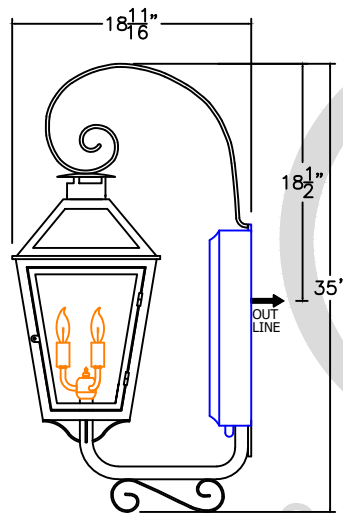
© 2021 SOLARA ENCHAINMENT
UNAUTHORIZED USE OF THIS
PLAN IS IN VIOLATION OF THE
U.S. COPYRIGHT ACT TITLE 17
OF THE U.S. CODE.



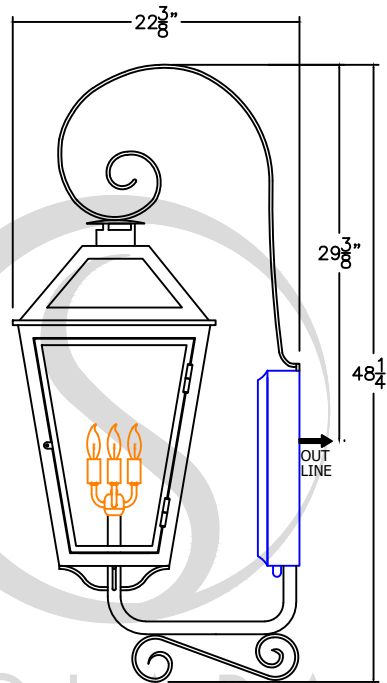
DESIGN:	MARDI GRAS
LINE:	WALL MOUNT
FILE:	OLS-CLA-C-005-01SET-EL-S100-V1
DATE REV :	16/02/2021 DRAWN BY : IAVS



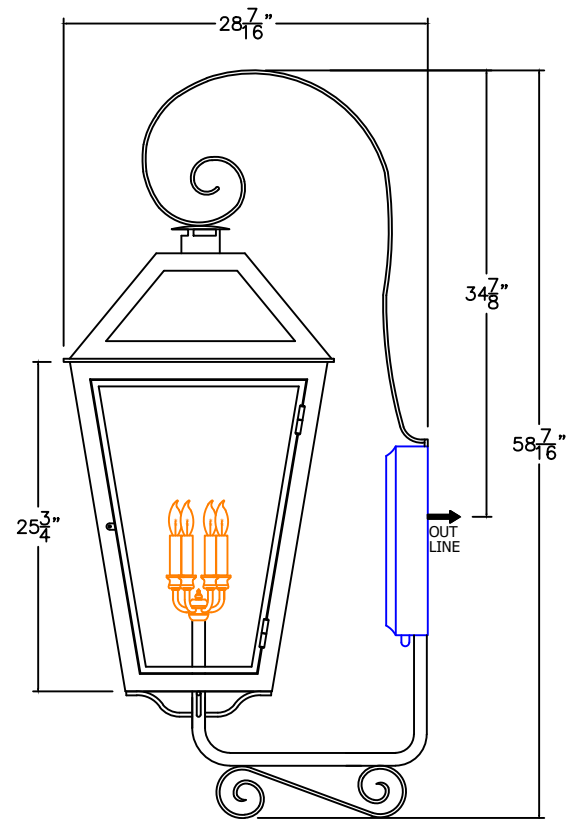
SMALL
C-005-011
8" W x 25" H x 12 ⁵/₁₆" D



MEDIUM
C-005-012
11 1/2" W x 35" H x 18 ¹¹/₁₆" D



LARGE
C-005-013
16" W x 48 1/4" H x 22 ³/₈" D



XLARGE
C-005-014
21" W x 58 ⁷/₁₆" H x 28 ⁷/₁₆" D

SOLARA
custom doors + lighting

FRONT VIEW

AVAILABLE IN
GAS & ELECTRIC
WITH EXCEPTION
OF SMALL SIZE

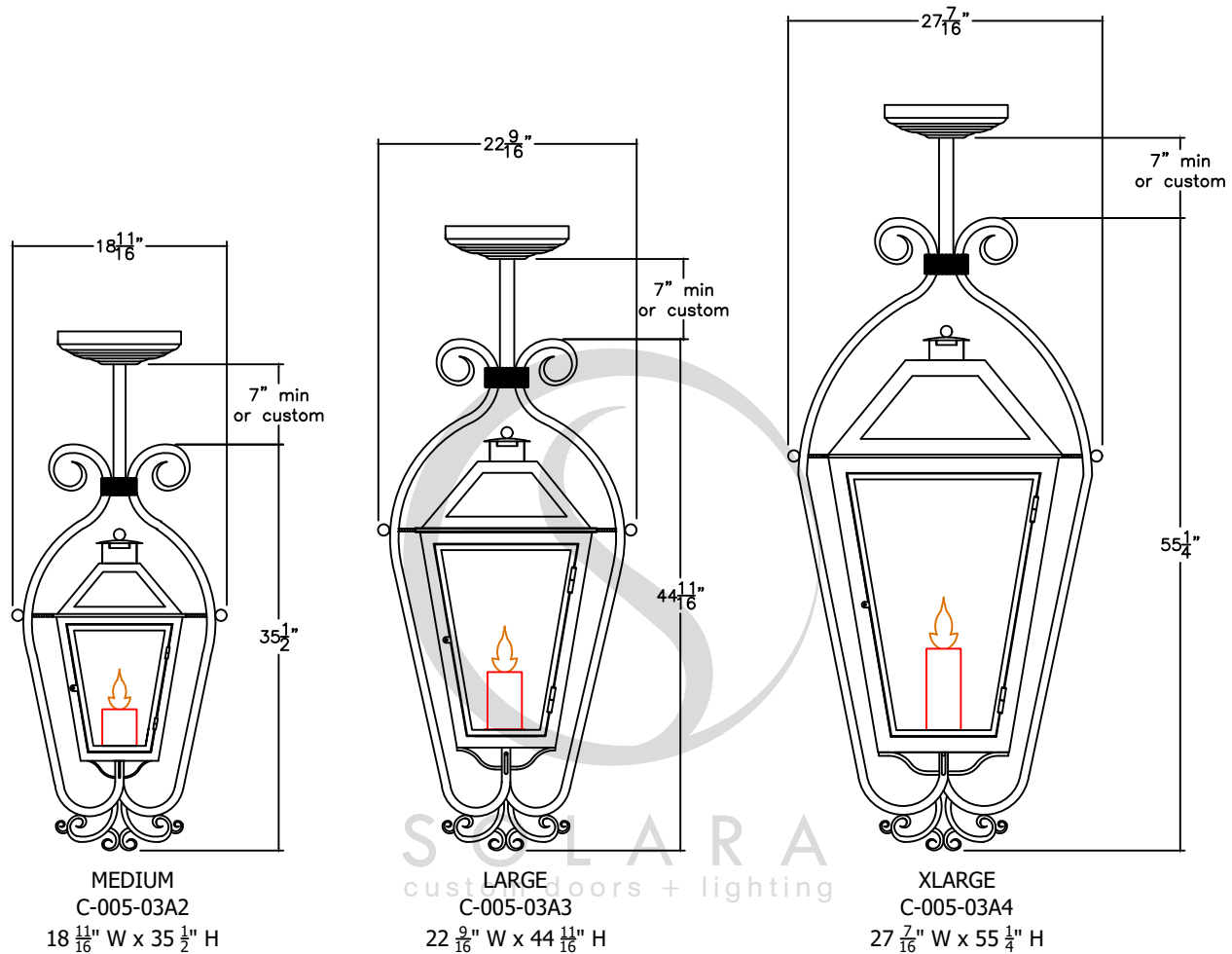
* ACTUAL DIMENSIONS MAY VARY UP TO 1/2"

CUSTOM DRAWING CHANGES

© 2021 SOLARA ENCHAINMENT
UNAUTHORIZED USE OF THIS
PLAN IS IN VIOLATION OF THE
U.S. COPYRIGHT ACT TITLE 17
OF THE U.S. CODE.



DESIGN:	MARDI GRAS
LINE:	WALL MOUNT
FILE:	OLS-CLA-C-005-01SET-EL-S100-V1
DATE REV :	16/02/2021 DRAWN BY : IAVS



FRONT VIEW

AVAILABLE IN
GAS & ELECTRIC
WITH EXCEPTION
OF SMALL SIZE

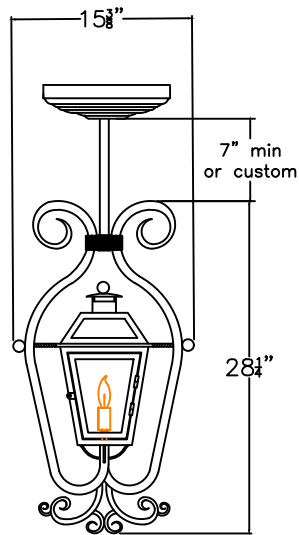
* ACTUAL DIMENSIONS MAY VARY UP TO 1/2"

CUSTOM DRAWING CHANGES

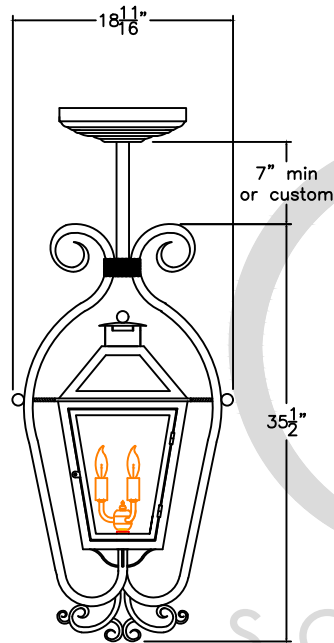
© 2021 SOLARA ENCHAINMENT
UNAUTHORIZED USE OF THIS
PLAN IS IN VIOLATION OF THE
U.S. COPYRIGHT ACT TITLE 17
OF THE U.S. CODE.



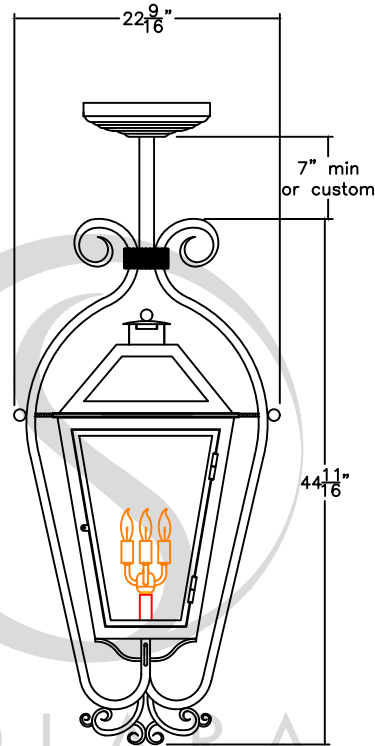
DESIGN:	MARDI GRAS
LINE:	PENDANT STEM
FILE:	OLS-CLA-C-005-03SET-EG-S100-V1
DATE REV :	16/02/2021 DRAWN BY : IAVS



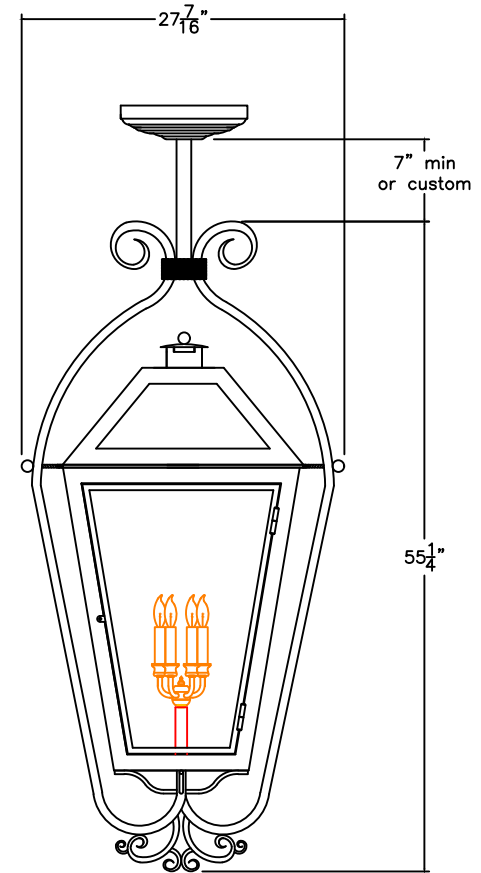
SMALL
C-005-03A2
15 ³/₈" W x 28 ¹/₄" H



MEDIUM
C-005-03A2
18 ¹¹/₁₆" W x 35 ¹/₂" H



LARGE
C-005-03A3
22 ⁹/₁₆" W x 44 ¹¹/₁₆" H



XLARGE
C-005-03A4
27 ⁷/₁₆" W x 55 ¹/₄" H

FRONT VIEW

AVAILABLE IN
GAS & ELECTRIC
WITH EXCEPTION
OF SMALL SIZE

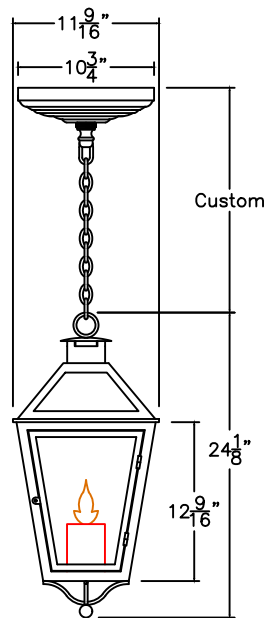
* ACTUAL DIMENSIONS MAY VARY UP TO 1/2"

CUSTOM DRAWING CHANGES

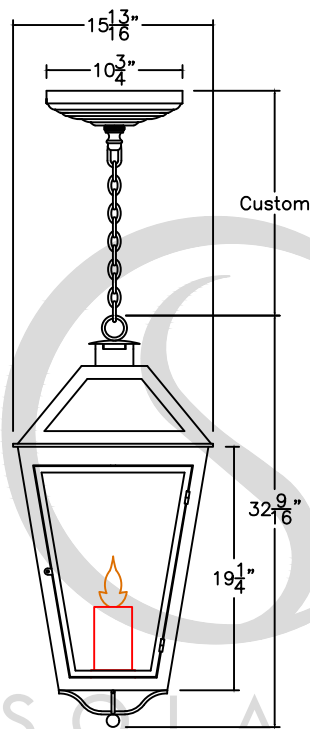
© 2021 SOLARA ENCHAINMENT
UNAUTHORIZED USE OF THIS
PLAN IS IN VIOLATION OF THE
U.S. COPYRIGHT ACT TITLE 17
OF THE U.S. CODE.



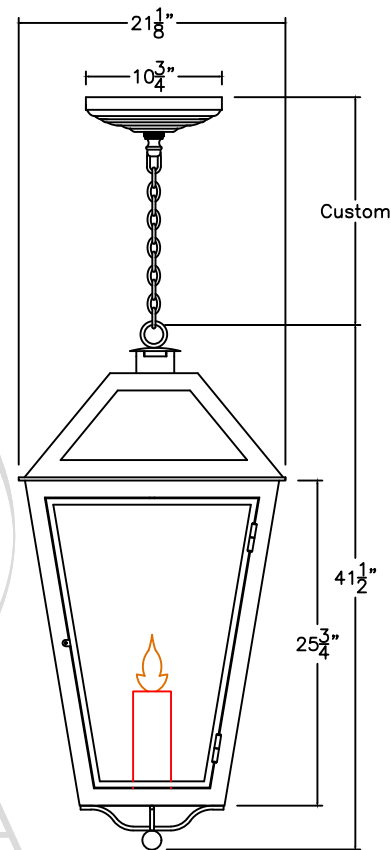
DESIGN:	MARDI GRAS
LINE:	PENDANT STEM
FILE:	OLS-CLA-C-005-03SET-EL-S100-V1
DATE REV :	16/02/2021 DRAWN BY : IAVS



MEDIUM
C-005-042
11 1/2" W x 24" H



LARGE
C-005-043
16" W x 32 1/2" H



XLARGE
C-005-044
21" W x 41 1/2" H

FRONT VIEW

AVAILABLE IN
GAS & ELECTRIC
WITH EXCEPTION
OF SMALL SIZE

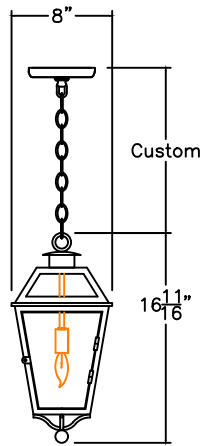
* ACTUAL DIMENSIONS MAY VARY UP TO 1/2"

CUSTOM DRAWING CHANGES

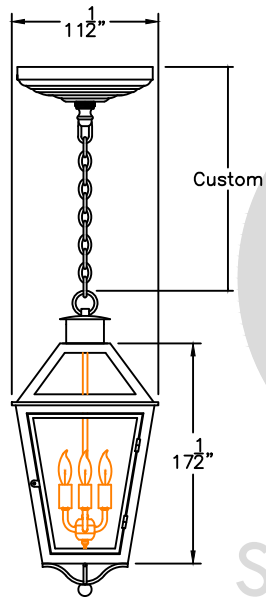
© 2021 SOLARA ENCHAINMENT
UNAUTHORIZED USE OF THIS
PLAN IS IN VIOLATION OF THE
U.S. COPYRIGHT ACT TITLE 17
OF THE U.S. CODE.



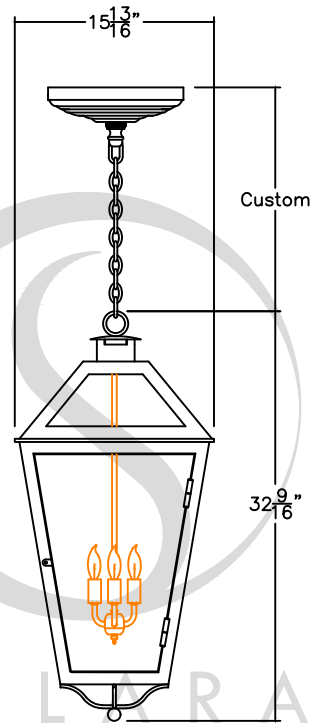
DESIGN:	MARDI GRAS
LINE:	PENDANT CHAIN
FILE:	OLS-CLA-C-005-04SET-EG-S100-V1
DATE REV :	16/02/2021 DRAWN BY : IAVS



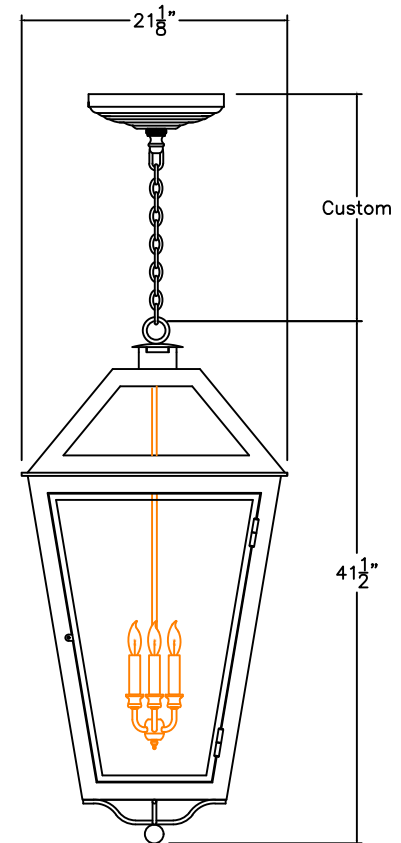
SMALL
C-005-041
8" W x 16 1/2" H



MEDIUM
C-005-042
11 1/2" W x 24" H



LARGE
C-005-043
16" W x 32 1/2" H



XLARGE
C-005-044
21" W x 41 1/2" H

SOLARA
custom doors + lighting

FRONT VIEW

AVAILABLE IN
GAS & ELECTRIC
WITH EXCEPTION
OF SMALL SIZE

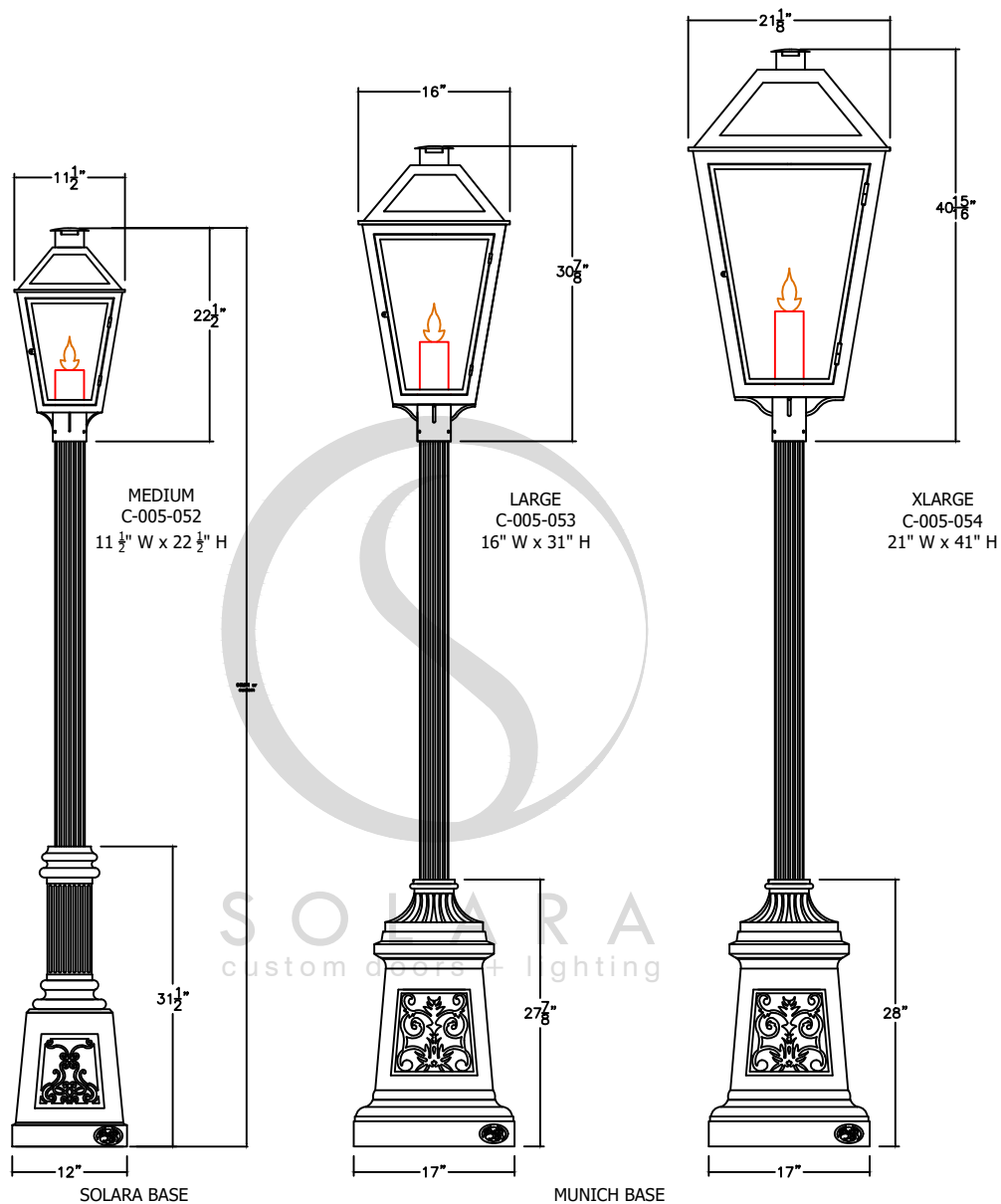
* ACTUAL DIMENSIONS MAY VARY UP TO 1/2"

CUSTOM DRAWING CHANGES

© 2021 SOLARA ENCHAINMENT
UNAUTHORIZED USE OF THIS
PLAN IS IN VIOLATION OF THE
U.S. COPYRIGHT ACT TITLE 17
OF THE U.S. CODE.



DESIGN:	MARDI GRAS
LINE:	PENDANT CHAIN
FILE:	OLS-CLA-C-005-04SET-EG-S100-V1
DATE REV :	16/02/2021 DRAWN BY : IAVS



AVAILABLE IN
GAS & ELECTRIC
WITH EXCEPTION
OF SMALL SIZE

FRONT VIEW

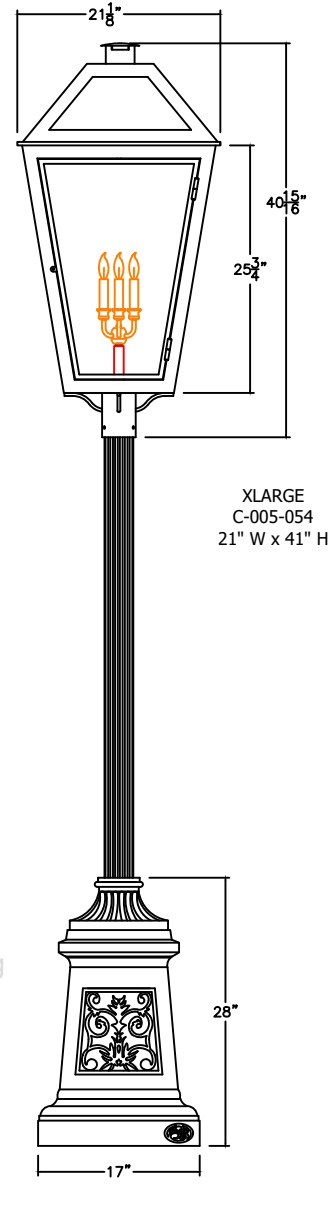
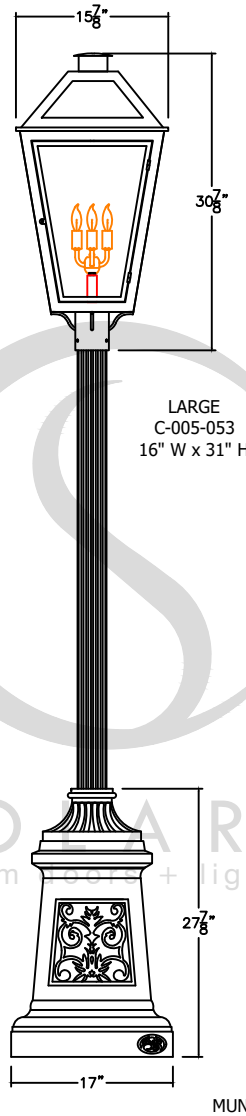
* ACTUAL DIMENSIONS MAY VARY UP TO 1/2"

CUSTOM DRAWING CHANGES

© 2021 SOLARA ENCHAINMENT
UNAUTHORIZED USE OF THIS
PLAN IS IN VIOLATION OF THE
U.S. COPYRIGHT ACT TITLE 17
OF THE U.S. CODE.



DESIGN:	MARDI GRAS
LINE:	POST MOUNT
FILE:	OLS-CLA-C-005-05SET-EG-S100-V1
DATE REV :	16/02/2021 DRAWN BY : IAVS



AVAILABLE IN
GAS & ELECTRIC
WITH EXCEPTION
OF SMALL SIZE

FRONT VIEW

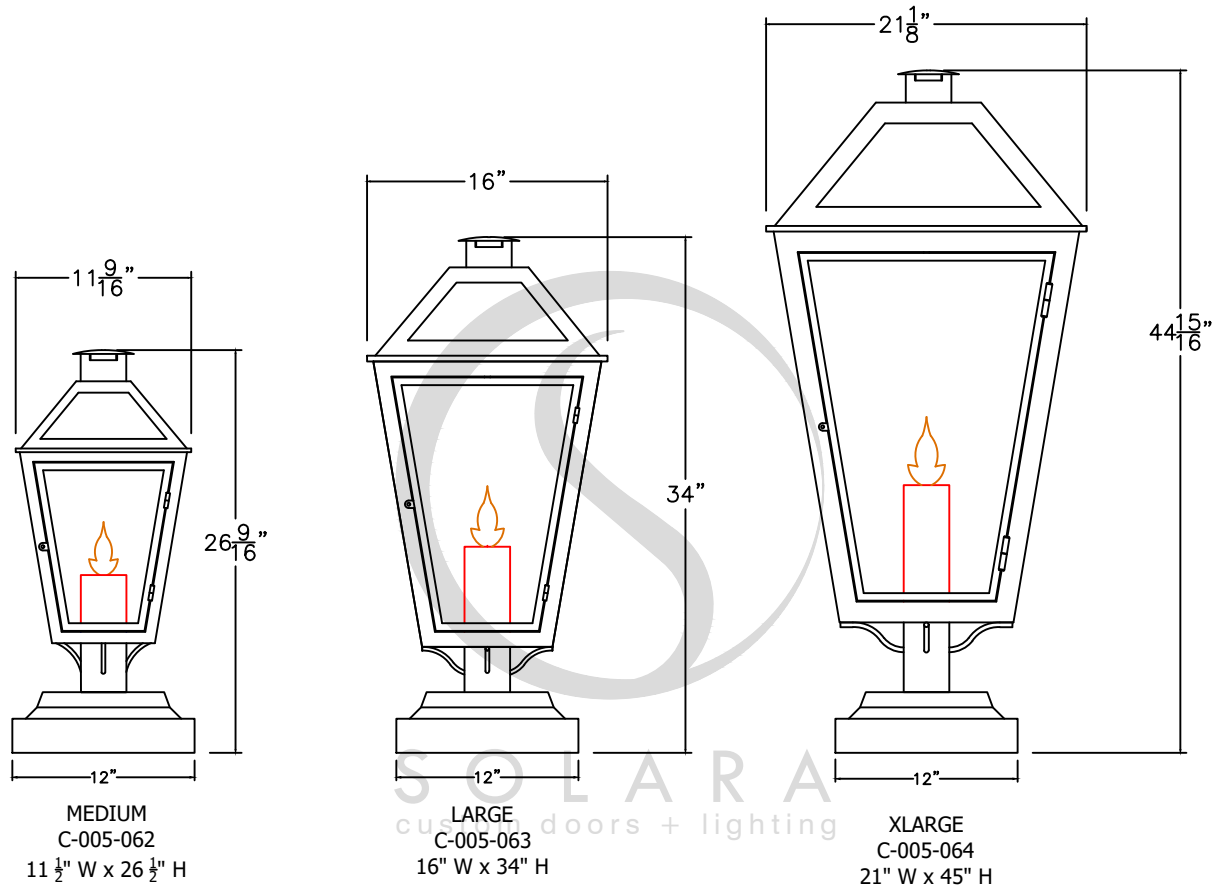
* ACTUAL DIMENSIONS MAY VARY UP TO 1/2"

CUSTOM DRAWING CHANGES

© 2021 SOLARA ENCHAINMENT
UNAUTHORIZED USE OF THIS
PLAN IS IN VIOLATION OF THE
U.S. COPYRIGHT ACT TITLE 17
OF THE U.S. CODE.



DESIGN:	MARDI GRAS
LINE:	POST MOUNT
FILE:	OLS-CLA-C-005-05SET-EL-S100-V1
DATE REV :	16/02/2021 DRAWN BY : IAVS



FRONT VIEW

AVAILABLE IN
GAS & ELECTRIC
WITH EXCEPTION
OF SMALL SIZE

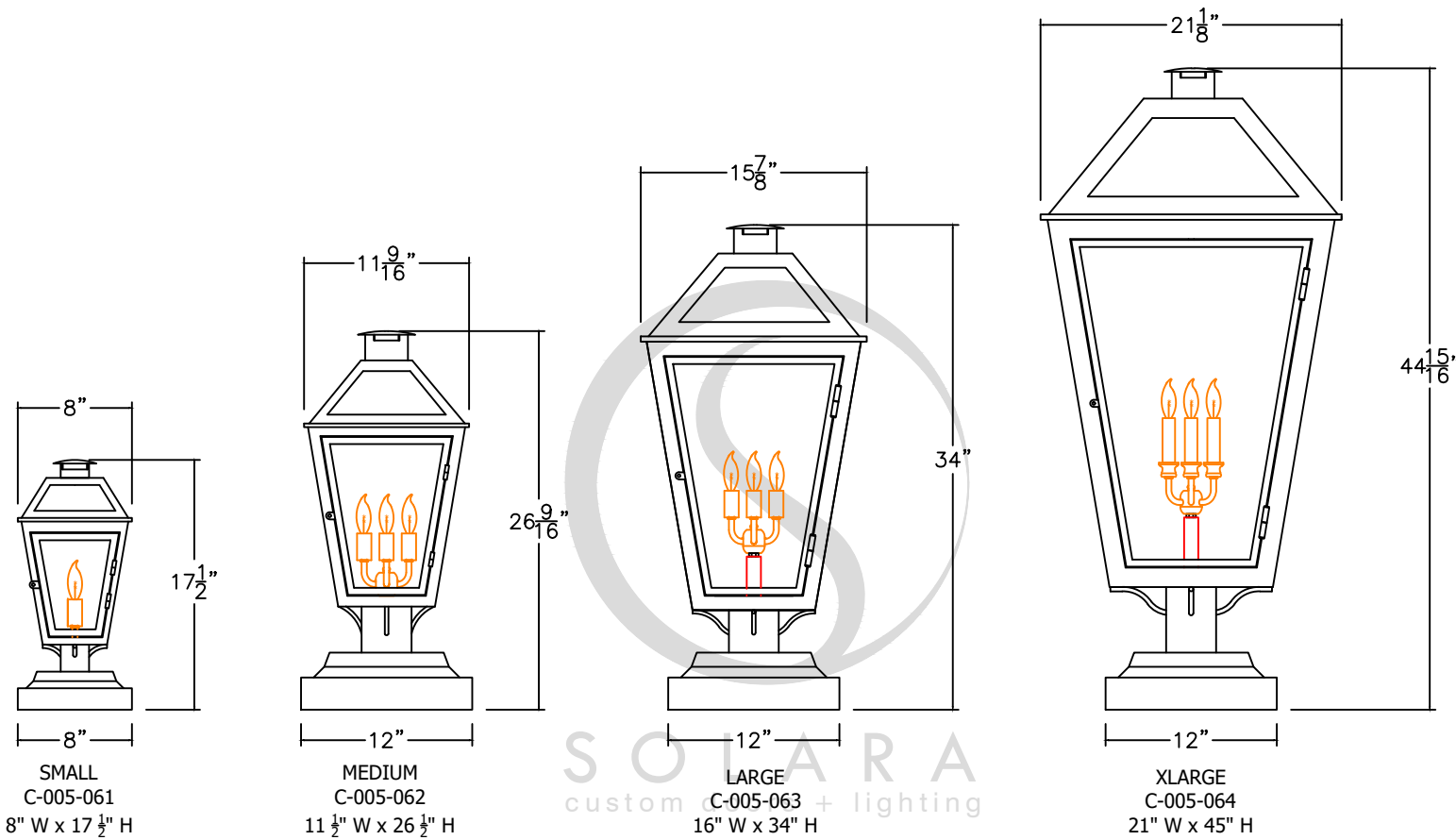
* ACTUAL DIMENSIONS MAY VARY UP TO 1/2"

CUSTOM DRAWING CHANGES

© 2021 SOLARA ENCHAINMENT
UNAUTHORIZED USE OF THIS
PLAN IS IN VIOLATION OF THE
U.S. COPYRIGHT ACT TITLE 17
OF THE U.S. CODE.




DESIGN:	MARDI GRAS
LINE:	PIER MOUNT
FILE:	OLS-CLA-C-005-06SET-EG-S100-V1
DATE REV :	16/02/2021
DRAWN BY :	IAVS

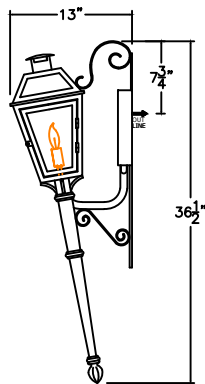


AVAILABLE IN
 GAS & ELECTRIC
 WITH EXCEPTION
 OF SMALL SIZE

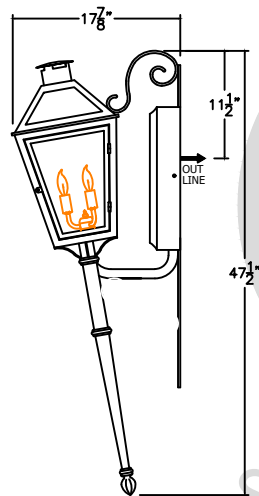
FRONT VIEW

* ACTUAL DIMENSIONS MAY VARY UP TO 1/2"

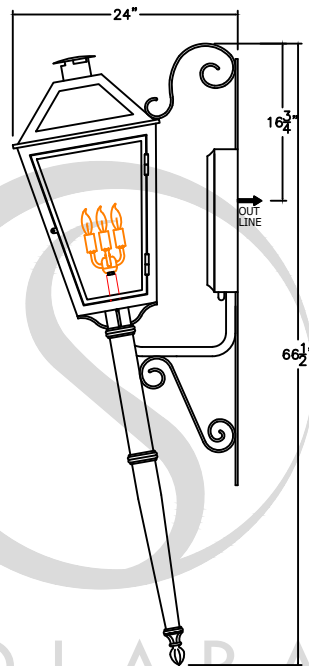
<p>CUSTOM DRAWING CHANGES</p>	<p>© 2021 SOLARA ENCHAINMENT UNAUTHORIZED USE OF THIS PLAN IS IN VIOLATION OF THE U.S. COPYRIGHT ACT TITLE 17 OF THE U.S. CODE.</p>		<table border="1"> <tr> <td>DESIGN:</td> <td>MARDI GRAS</td> </tr> <tr> <td>LINE:</td> <td>PIER MOUNT</td> </tr> <tr> <td>FILE:</td> <td>OLS-CLA-C-005-06SET-EL-S100-V1</td> </tr> <tr> <td>DATE REV :</td> <td>16/02/2021</td> </tr> <tr> <td>DRAWN BY :</td> <td>IAVS</td> </tr> </table>	DESIGN:	MARDI GRAS	LINE:	PIER MOUNT	FILE:	OLS-CLA-C-005-06SET-EL-S100-V1	DATE REV :	16/02/2021	DRAWN BY :	IAVS
DESIGN:	MARDI GRAS												
LINE:	PIER MOUNT												
FILE:	OLS-CLA-C-005-06SET-EL-S100-V1												
DATE REV :	16/02/2021												
DRAWN BY :	IAVS												



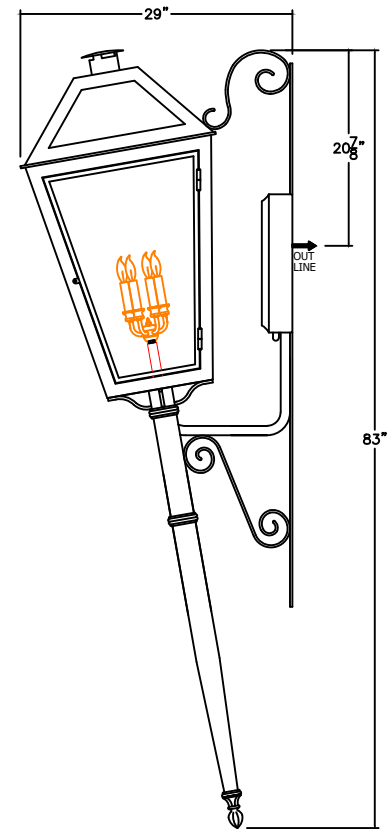
SMALL
C-005-081
8" W x 36 $\frac{1}{2}$ " H x 13" D



MEDIUM
C-005-082
11 $\frac{1}{2}$ " W x 47 $\frac{1}{2}$ " H x 18" D



LARGE
C-005-083
16" W x 66 $\frac{1}{2}$ " H x 24" D



XLARGE
C-005-084
21" W x 83" H x 29" D

FRONT VIEW

AVAILABLE IN
GAS & ELECTRIC
WITH EXCEPTION
OF SMALL SIZE

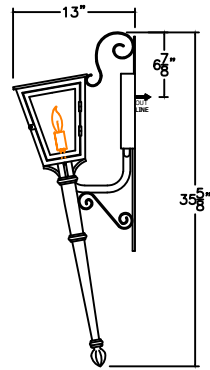
* ACTUAL DIMENSIONS MAY VARY UP TO 1/2"

CUSTOM DRAWING CHANGES

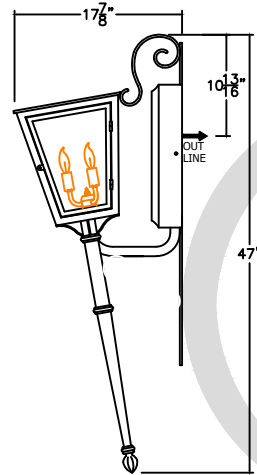
© 2021 SOLARA ENCHAINMENT
UNAUTHORIZED USE OF THIS
PLAN IS IN VIOLATION OF THE
U.S. COPYRIGHT ACT TITLE 17
OF THE U.S. CODE.



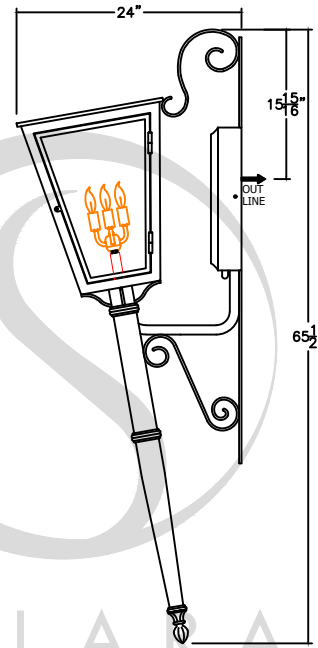
DESIGN:	MARDI GRAS
LINE:	TORCH WET MOUNT
FILE:	OLS-CLA-C-005-08SET-EL-S100-V1
DATE REV :	16/02/2021
DRAWN BY :	IAVS



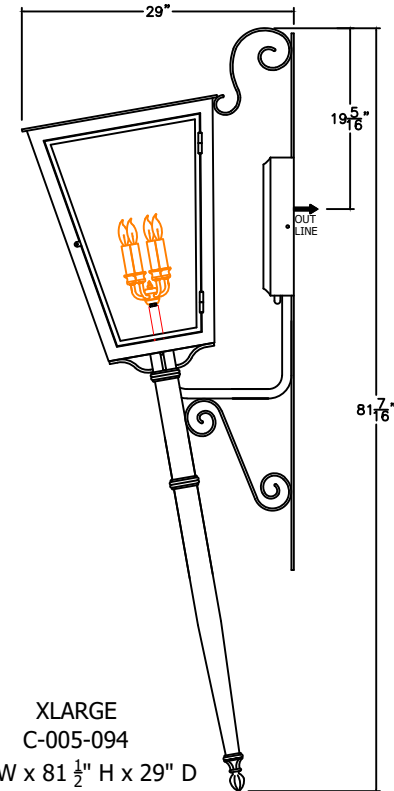
SMALL
C-005-091
8" W x 35 1/2" H x 13" D



MEDIUM
C-005-092
11 1/2" W x 47" H x 18" D



LARGE
C-005-093
16" W x 65 1/2" H x 24" D



XLARGE
C-005-094
21" W x 81 1/2" H x 29" D

FRONT VIEW

AVAILABLE IN
GAS & ELECTRIC
WITH EXCEPTION
OF SMALL SIZE

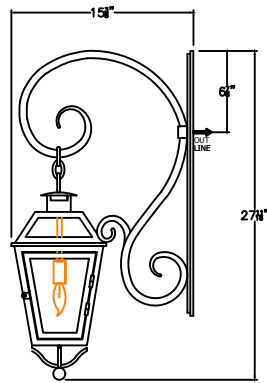
* ACTUAL DIMENSIONS MAY VARY UP TO 1/2"

CUSTOM DRAWING CHANGES

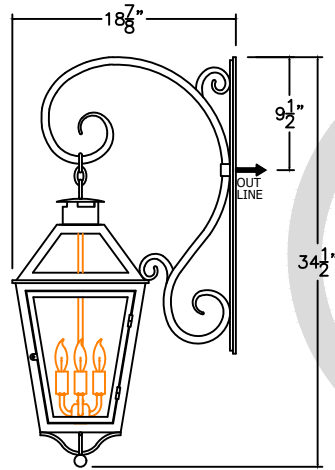
© 2021 SOLARA ENCHAINMENT
UNAUTHORIZED USE OF THIS
PLAN IS IN VIOLATION OF THE
U.S. COPYRIGHT ACT TITLE 17
OF THE U.S. CODE.



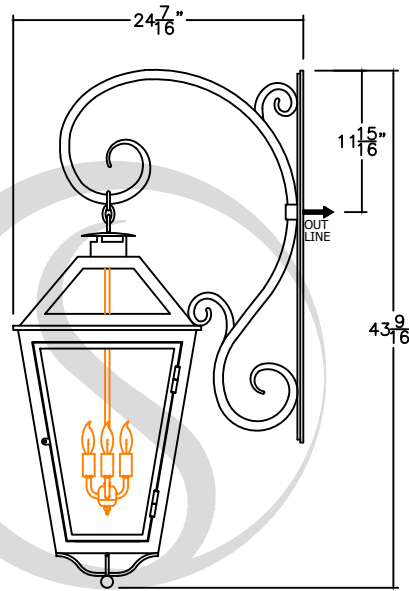
DESIGN:	MARDI GRAS
LINE:	TORCH DRY MOUNT
FILE:	OLS-CLA-C-005-09SET-EL-S100-V1
DATE REV :	16/02/2021 DRAWN BY : IAVS



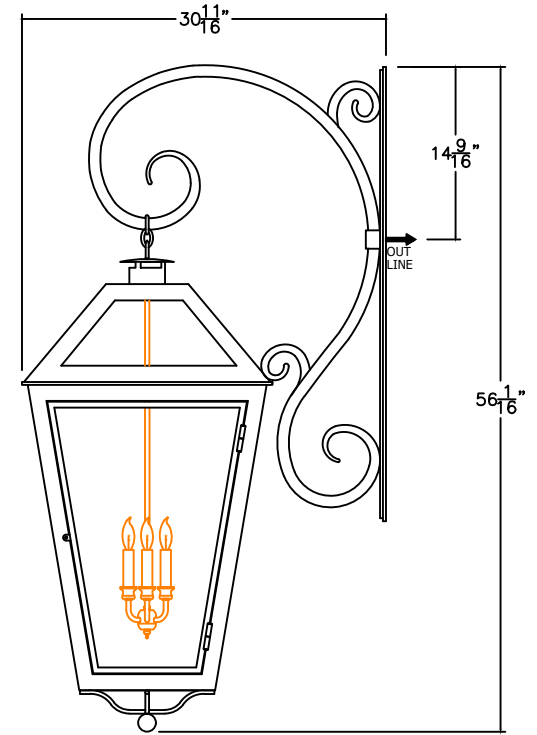
SMALL
C-005-102
11 1/4" W x 34 1/2" H x 15 3/8" D



MEDIUM
C-005-102
17 1/2" W x 34 1/2" H x 18 7/8" D



LARGE
C-005-103
25" W x 43 9/16" H x 24 7/16" D



XLARGE
C-005-104
21 1/4" W x 56 1/16" H x 30 1/16" D

SOLARA
custom doors + lighting

FRONT VIEW

AVAILABLE IN
GAS & ELECTRIC
WITH EXCEPTION
OF SMALL SIZE

* ACTUAL DIMENSIONS MAY VARY UP TO 1/2"

CUSTOM DRAWING CHANGES

© 2021 SOLARA ENCHAINMENT
UNAUTHORIZED USE OF THIS
PLAN IS IN VIOLATION OF THE
U.S. COPYRIGHT ACT TITLE 17
OF THE U.S. CODE.



DESIGN:	MARDI GRAS
LINE:	HANGING BRACKET
FILE:	OLS-CLA-C-005-10SET-EL-S100-V1
DATE REV :	16/02/2021 DRAWN BY : IAVS