

SOLARA LIGHTING

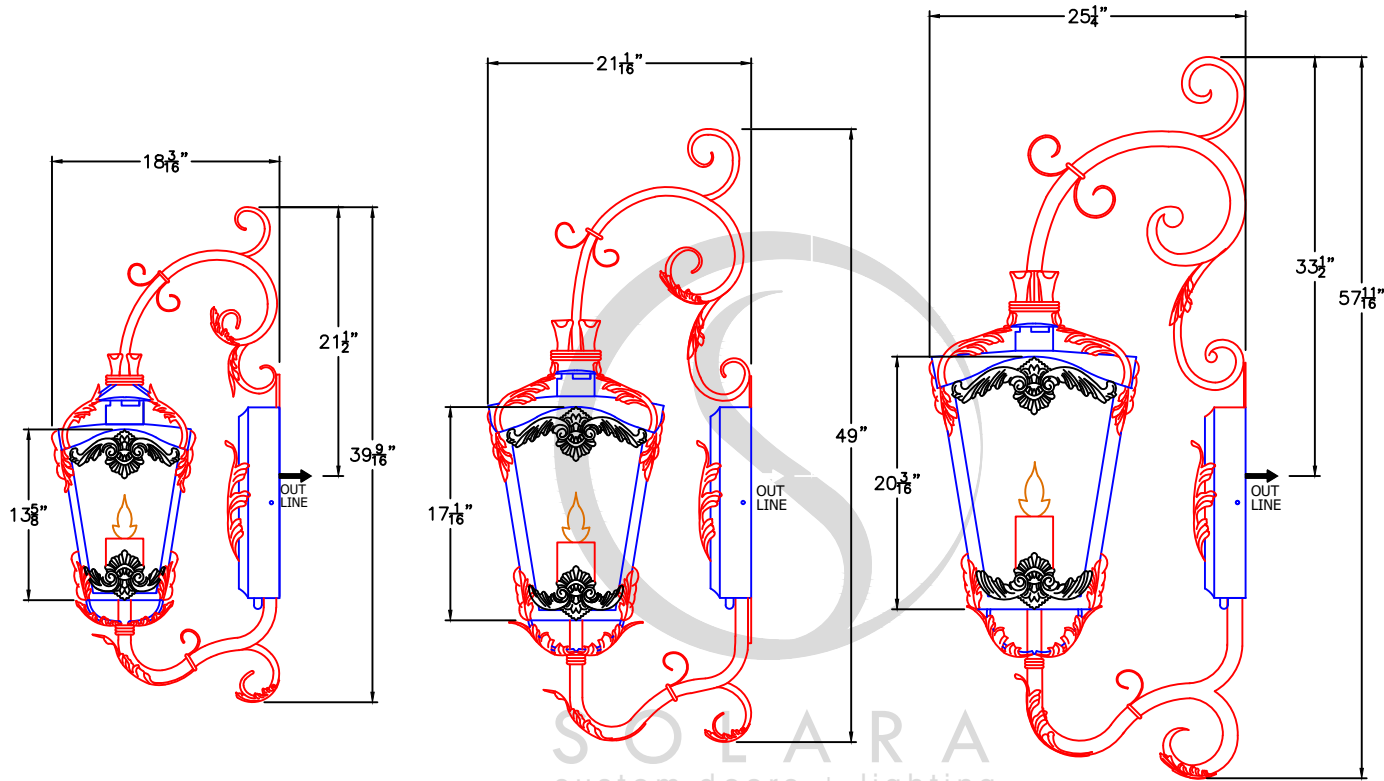
2021

NAPA CAST



www.solarcustomdoorsandlighting.com

1-888-8SOLARA



MEDIUM
D-001C-012
11 1/2" W X 39 1/2" H X 18" D

LARGE
D-001C-013
14" W X 49" H X 21" D

XLARGE
D-001C-014
17" W X 57 1/2" H X 25 1/2" D

AVAILABLE IN
GAS & ELECTRIC
WITH EXCEPTION
OF SMALL SIZE

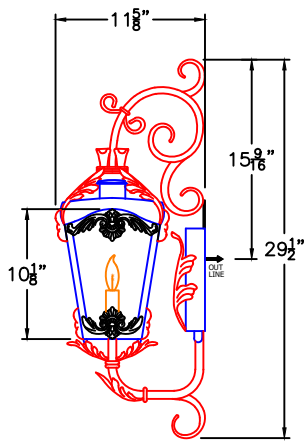
* ACTUAL DIMENSIONS MAY VARY UP TO 1/2"

CUSTOM DRAWING CHANGES

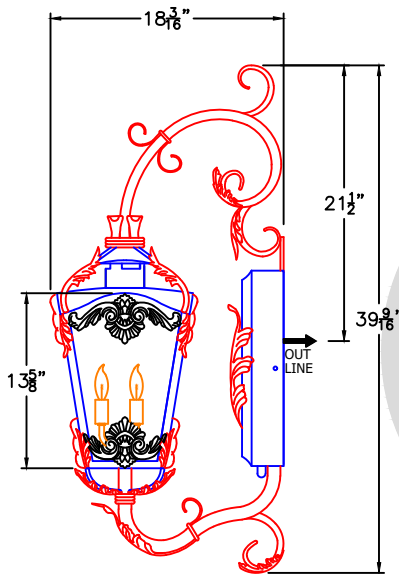
© 2021 SOLARA ENCHAINMENT
UNAUTHORIZED USE OF THIS
PLAN IS IN VIOLATION OF THE
U.S. COPYRIGHT ACT TITLE 17
OF THE U.S. CODE.



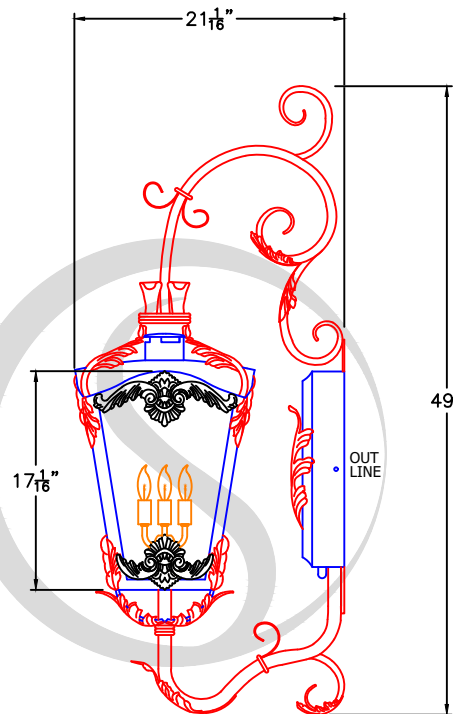
DESIGN:	NAPA CAST
LINE:	WALL MOUNT
FILE:	OLS-CLA-D-001-01SET-EG-S100-V1
DATE REV :	23/02/2021
DRAWN BY :	IAVS



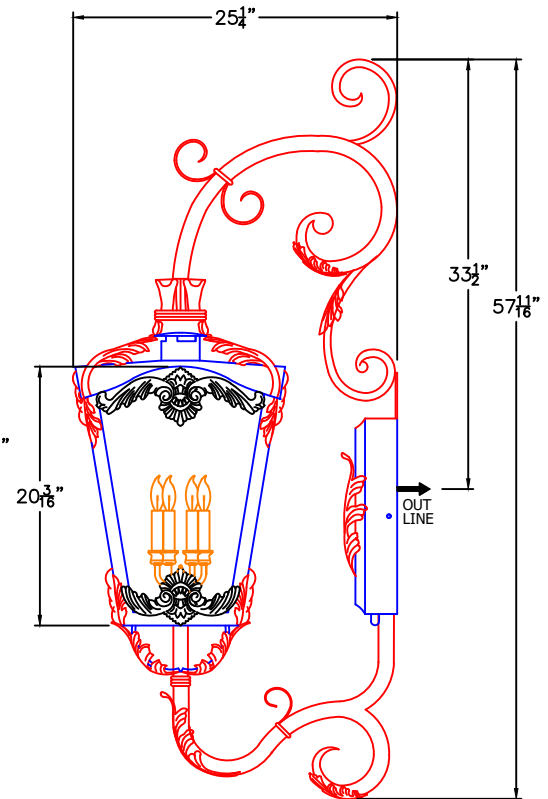
SMALL
D-001C-011
9" W X 29 1/2" H X 11 1/2" D



MEDIUM
D-001C-012
11 1/2" W X 39 1/2" H X 18" D



LARGE
D-001C-013
14" W X 49" H X 21" D



XLARGE
D-001C-014
17" W X 57 1/2" H X 25 1/2" D

SOLARA
custom doors & lighting

AVAILABLE IN
GAS & ELECTRIC
WITH EXCEPTION
OF SMALL SIZE

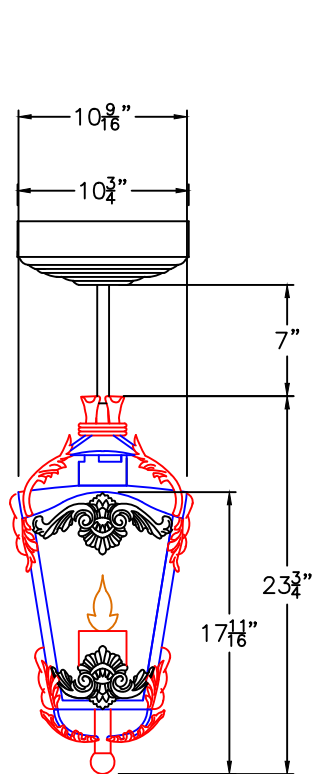
* ACTUAL DIMENSIONS MAY VARY UP TO 1/2"

CUSTOM DRAWING CHANGES

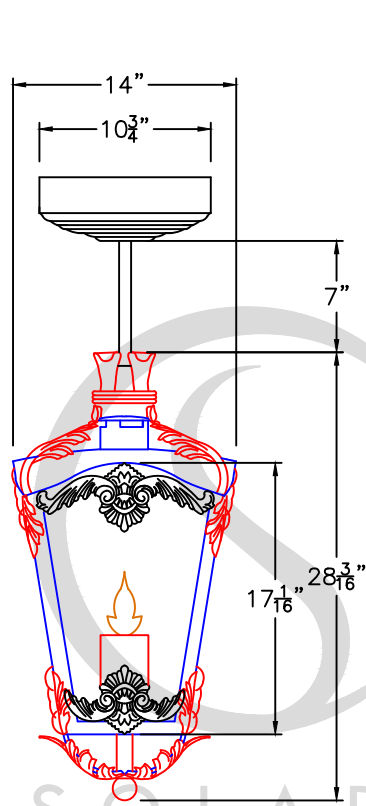
© 2021 SOLARA ENCHAINMENT
UNAUTHORIZED USE OF THIS
PLAN IS IN VIOLATION OF THE
U.S. COPYRIGHT ACT TITLE 17
OF THE U.S. CODE.



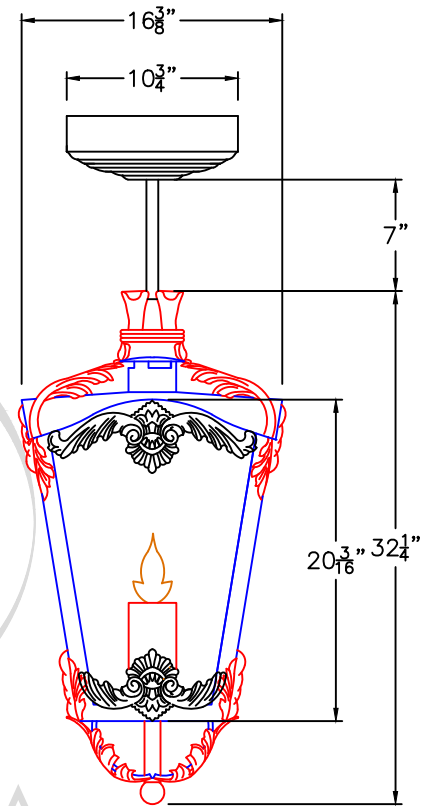
DESIGN:	NAPA CAST
LINE:	WALL MOUNT
FILE:	OLS-CLA-D-001-01SET-EL-S100-V1
DATE REV :	23/02/2021
DRAWN BY :	IAVS



MEDIUM
D-001C-012
11 1/2" W X 39 1/2" H X 18" D



LARGE
D-001C-013
14" W X 49" H X 21" D



XLARGE
D-001C-014
17" W X 57 1/2" H X 25 1/2" D

AVAILABLE IN
GAS & ELECTRIC
WITH EXCEPTION
OF SMALL SIZE

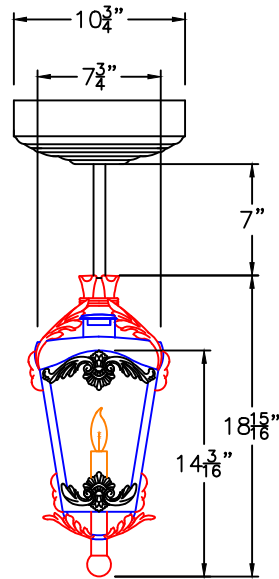
* ACTUAL DIMENSIONS MAY VARY UP TO 1/2"

CUSTOM DRAWING CHANGES

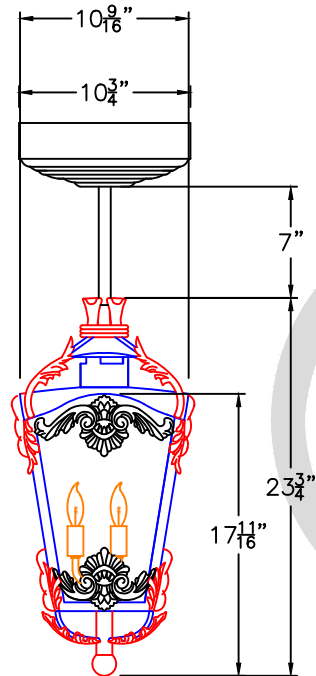
© 2021 SOLARA ENCHAINMENT
UNAUTHORIZED USE OF THIS
PLAN IS IN VIOLATION OF THE
U.S. COPYRIGHT ACT TITLE 17
OF THE U.S. CODE.



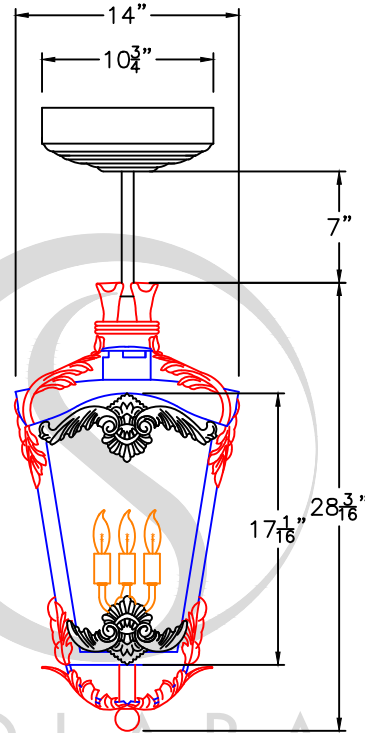
DESIGN:	NAPA CAST
LINE:	PENDANT STEM
FILE:	OLS-CLA-D-001-03SET-EG-S100-V1
DATE REV :	23/02/2021
DRAWN BY :	IAVS



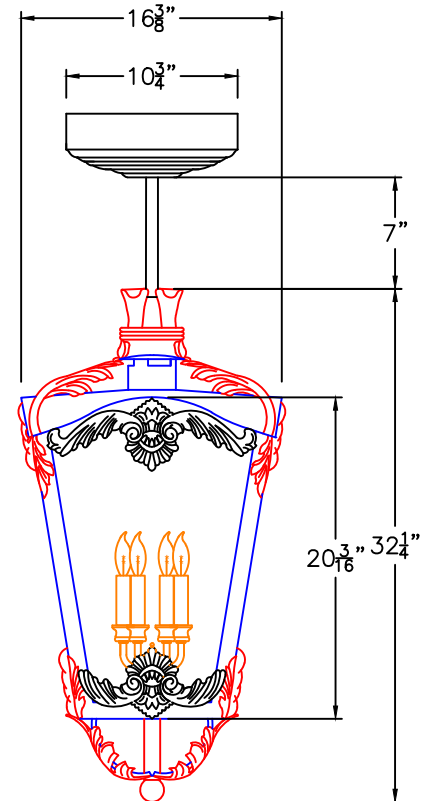
SMALL
D-001C-011
9" W X 29 1/2" H X 11 1/2" D



MEDIUM
D-001C-012
11 1/2" W X 39 1/2" H X 18" D



LARGE
D-001C-013
14" W X 49" H X 21" D



XLARGE
D-001C-014
17" W X 57 1/2" H X 25 1/2" D

AVAILABLE IN
GAS & ELECTRIC
WITH EXCEPTION
OF SMALL SIZE

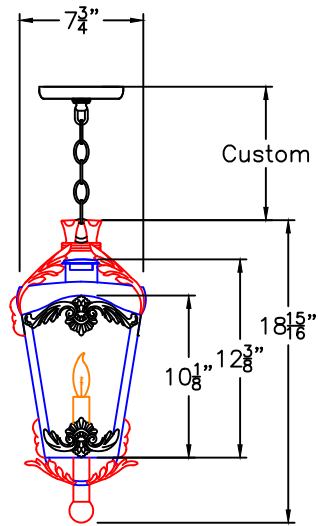
* ACTUAL DIMENSIONS MAY VARY UP TO 1/2"

CUSTOM DRAWING CHANGES

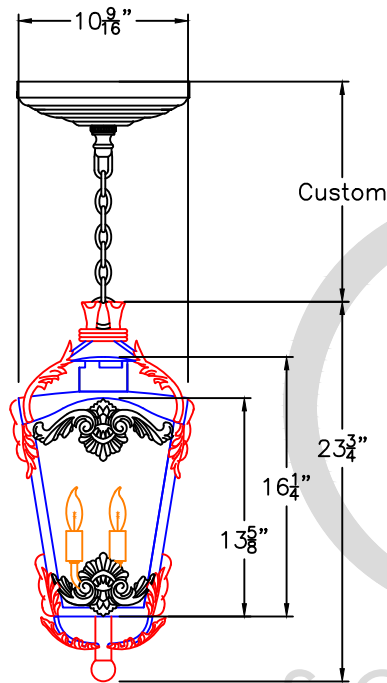
© 2021 SOLARA ENCHAINMENT
UNAUTHORIZED USE OF THIS
PLAN IS IN VIOLATION OF THE
U.S. COPYRIGHT ACT TITLE 17
OF THE U.S. CODE.



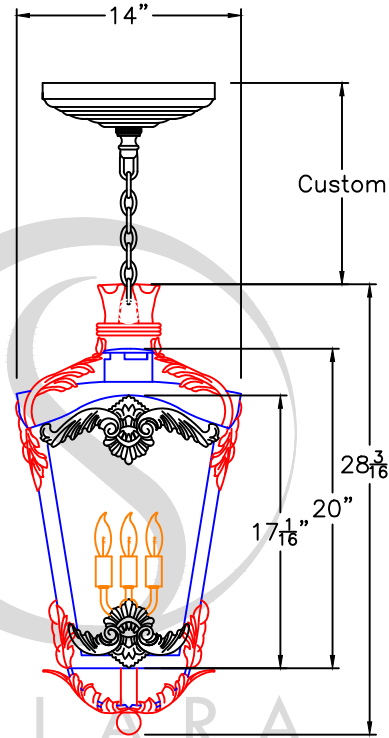
DESIGN:	NAPA CAST
LINE:	PENDANT STEM
FILE:	OLS-CLA-D-001-03SET-EL-S100-V1
DATE REV :	23/02/2021
DRAWN BY :	IAVS



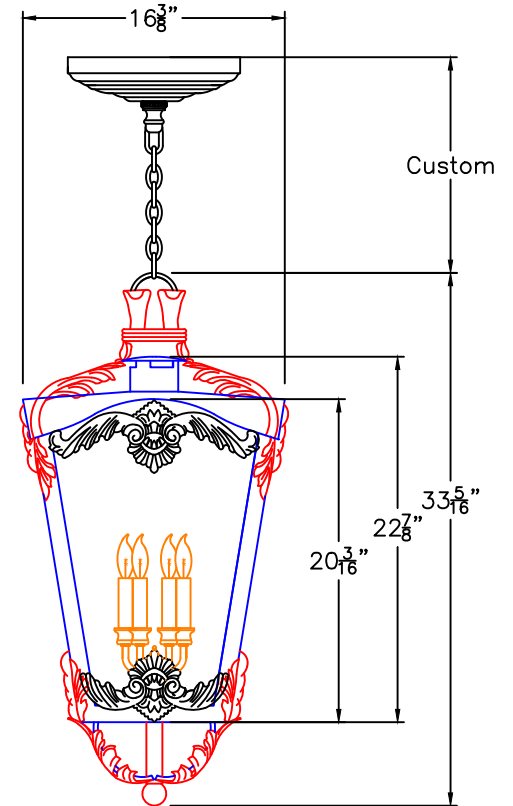
SMALL
D-001C-011
9" W X 29 1/2" H X 11 1/2" D



MEDIUM
D-001C-012
11 1/2" W X 39 1/2" H X 18" D



LARGE
D-001C-013
14" W X 49" H X 21" D



XLARGE
D-001C-014
17" W X 57 1/2" H X 25 1/2" D

AVAILABLE IN
GAS & ELECTRIC
WITH EXCEPTION
OF SMALL SIZE

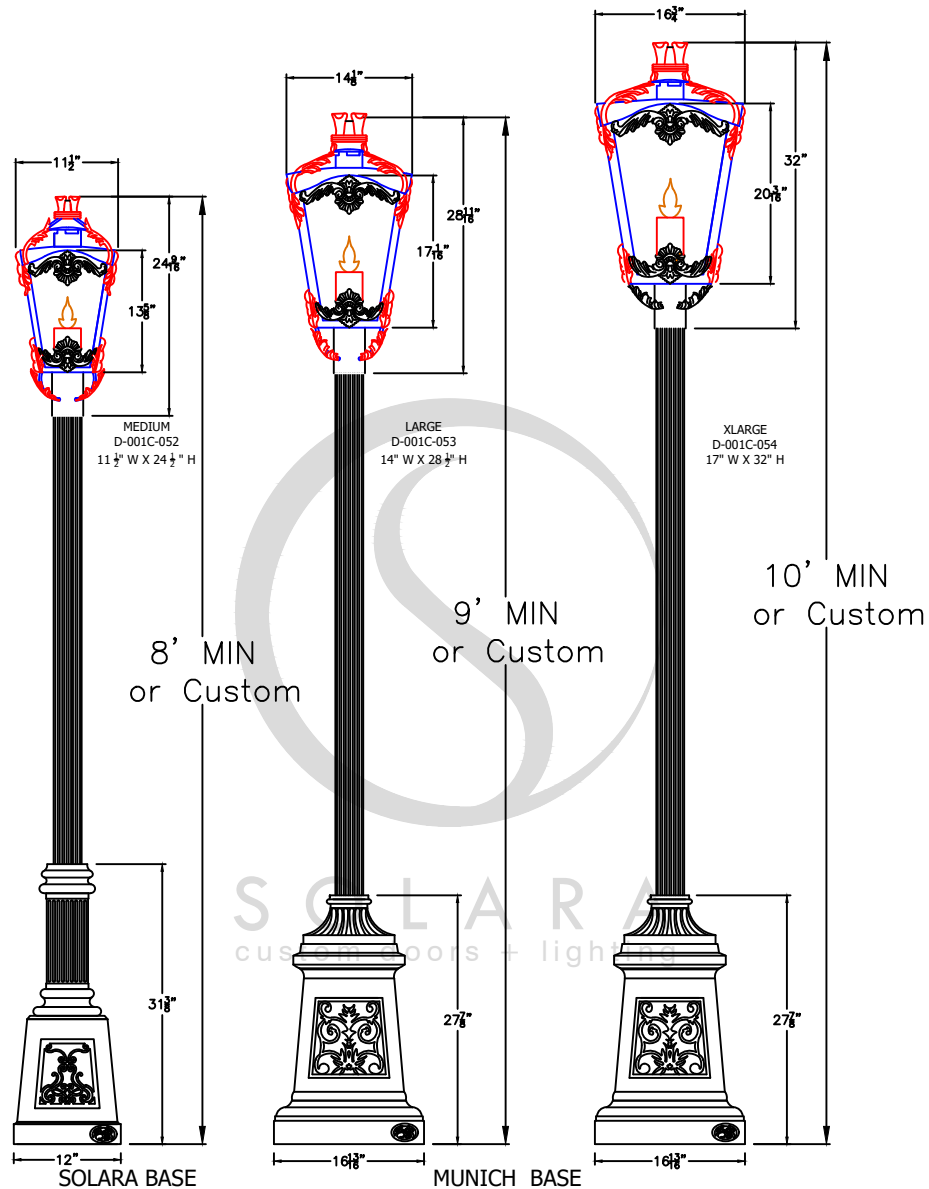
* ACTUAL DIMENSIONS MAY VARY UP TO 1/2"

CUSTOM DRAWING CHANGES

© 2021 SOLARA ENCHAINMENT
UNAUTHORIZED USE OF THIS
PLAN IS IN VIOLATION OF THE
U.S. COPYRIGHT ACT TITLE 17
OF THE U.S. CODE.



DESIGN:	NAPA CAST
LINE:	PENDANT CHAIN
FILE:	OLS-CLA-D-001-04SET-EL-S100-V1
DATE REV :	23/02/2021
DRAWN BY :	IAVS



AVAILABLE IN
GAS & ELECTRIC
WITH EXCEPTION
OF SMALL SIZE

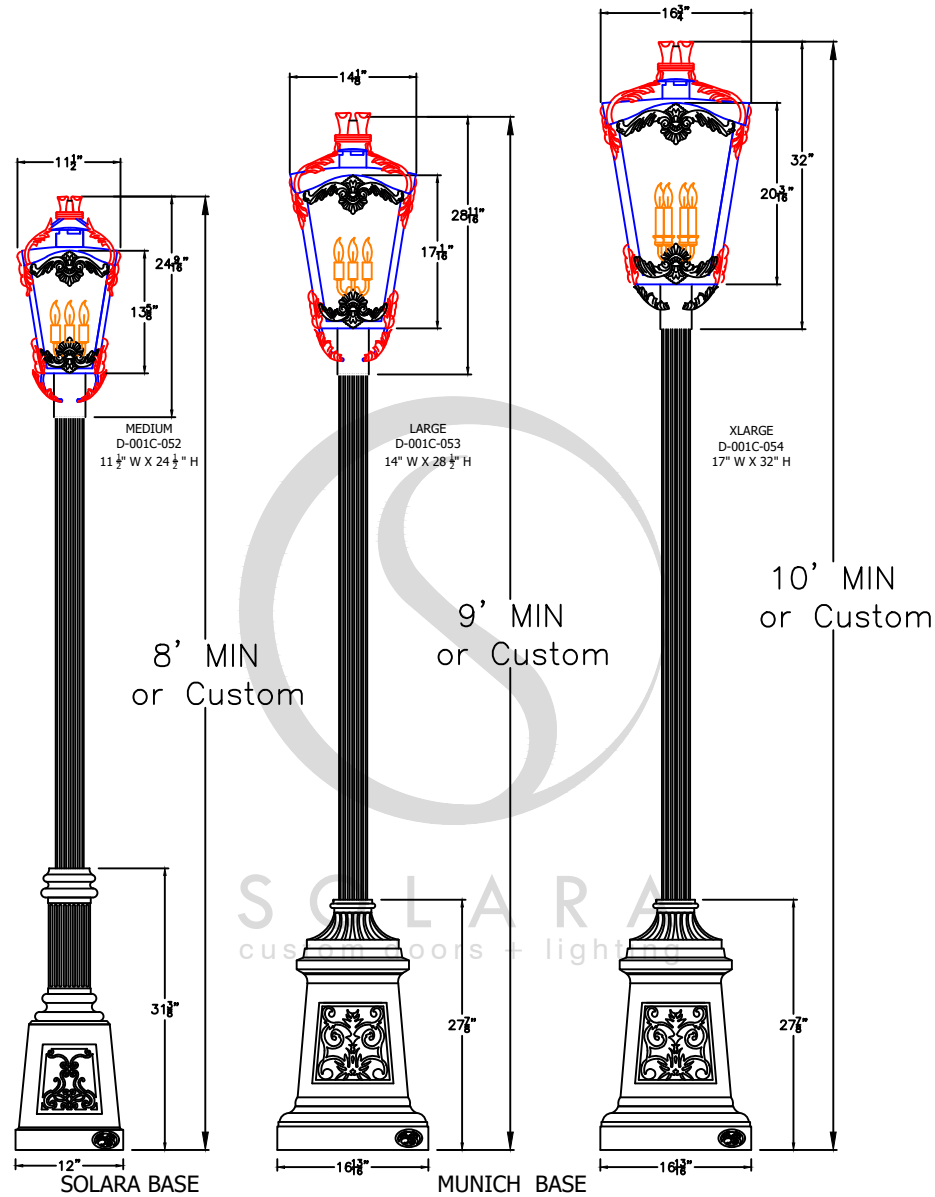
* ACTUAL DIMENSIONS MAY VARY UP TO 1/2"

CUSTOM DRAWING CHANGES

© 2021 SOLARA ENCHAINMENT
UNAUTHORIZED USE OF THIS
PLAN IS IN VIOLATION OF THE
U.S. COPYRIGHT ACT TITLE 17
OF THE U.S. CODE.



DESIGN:	NAPA CAST
LINE:	POST MOUNT
FILE:	OLS-CLA-D-001-05SET-EG-S100-V1
DATE REV :	23/02/2021
DRAWN BY :	IAVS



AVAILABLE IN
GAS & ELECTRIC
WITH EXCEPTION
OF SMALL SIZE

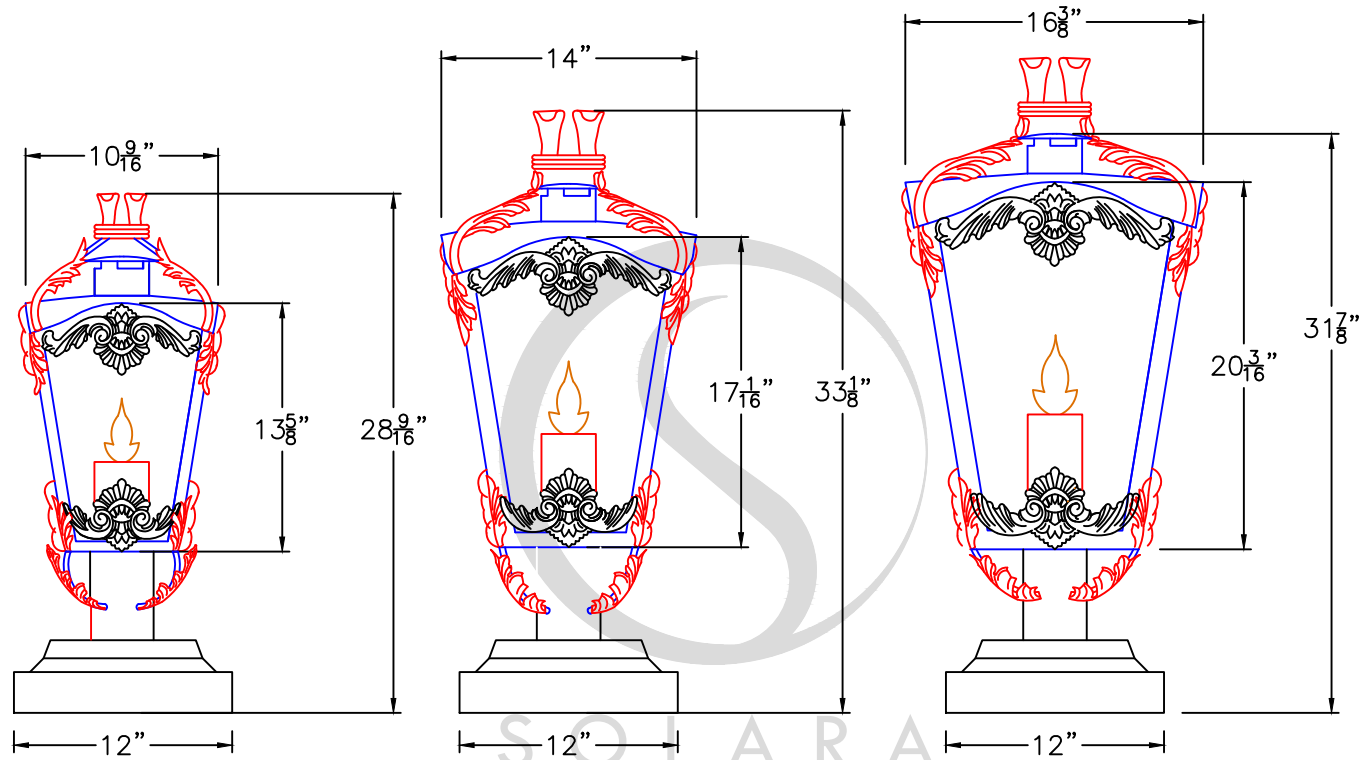
* ACTUAL DIMENSIONS MAY VARY UP TO 1/2"

CUSTOM DRAWING CHANGES

© 2021 SOLARA ENCHAINMENT
UNAUTHORIZED USE OF THIS
PLAN IS IN VIOLATION OF THE
U.S. COPYRIGHT ACT TITLE 17
OF THE U.S. CODE.



DESIGN:	NAPA CAST
LINE:	POST MOUNT
FILE:	OLS-CLA-D-001-05SET-EG-S100-V1
DATE REV :	23/02/2021
DRAWN BY :	IAVS



MEDIUM
D-001C-062
10 $\frac{9}{16}$ " W X 28 $\frac{9}{16}$ " H

LARGE
D-001C-063
14" W X 33 $\frac{1}{8}$ " H

XLARGE
D-001C-064
16 $\frac{3}{8}$ " W X 31 $\frac{7}{8}$ " H

AVAILABLE IN
GAS & ELECTRIC
WITH EXCEPTION
OF SMALL SIZE

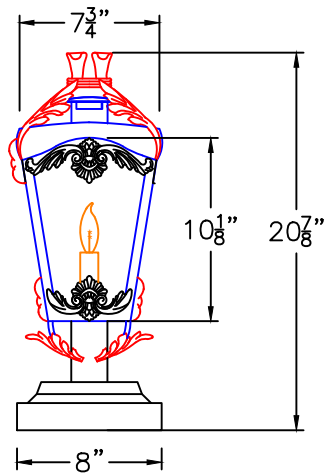
* ACTUAL DIMENSIONS MAY VARY UP TO 1/2"

CUSTOM DRAWING CHANGES

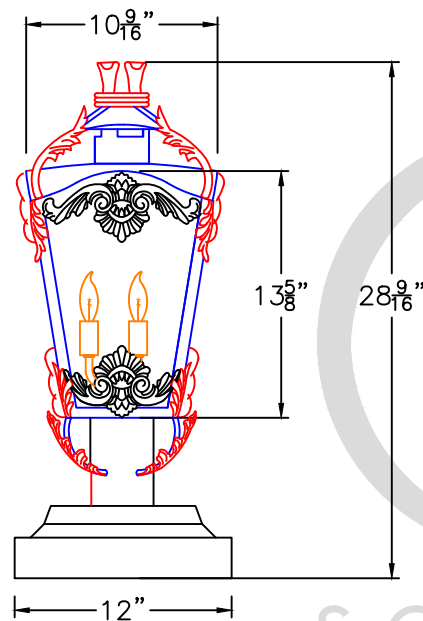
© 2021 SOLARA ENCHAINMENT
UNAUTHORIZED USE OF THIS
PLAN IS IN VIOLATION OF THE
U.S. COPYRIGHT ACT TITLE 17
OF THE U.S. CODE.



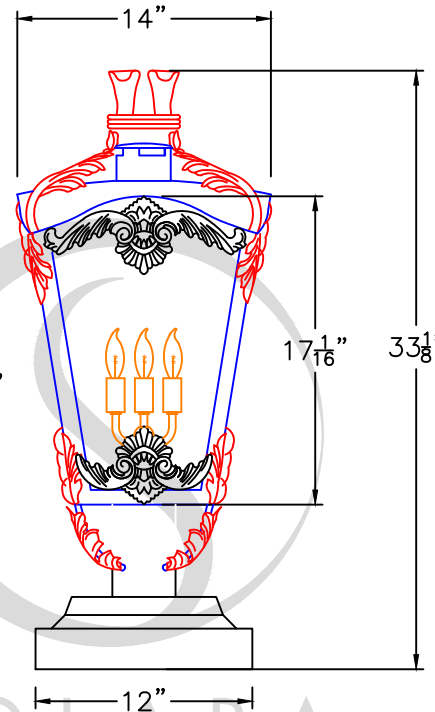
DESIGN:	NAPA CAST
LINE:	PIER MOUNT
FILE:	OLS-CLA-D-001-06SET-EG-S100-V1
DATE REV :	23/02/2021
DRAWN BY :	IAVS



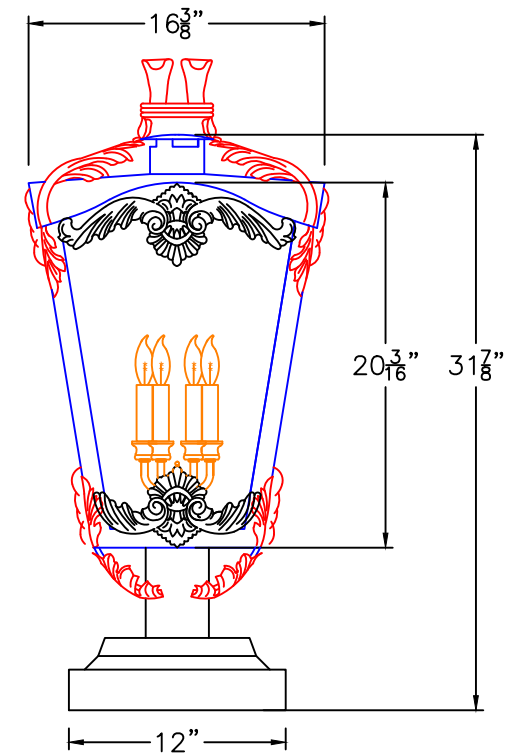
SMALL
D-001C-061
7 3/4" W X 20 7/8" H



MEDIUM
D-001C-062
10 9/16" W X 28 9/16" H



LARGE
D-001C-063
14" W X 33 1/8" H



XLARGE
D-001C-064
16 3/8" W X 31 7/8" H

SOLARA
custom doors & lighting

AVAILABLE IN
GAS & ELECTRIC
WITH EXCEPTION
OF SMALL SIZE

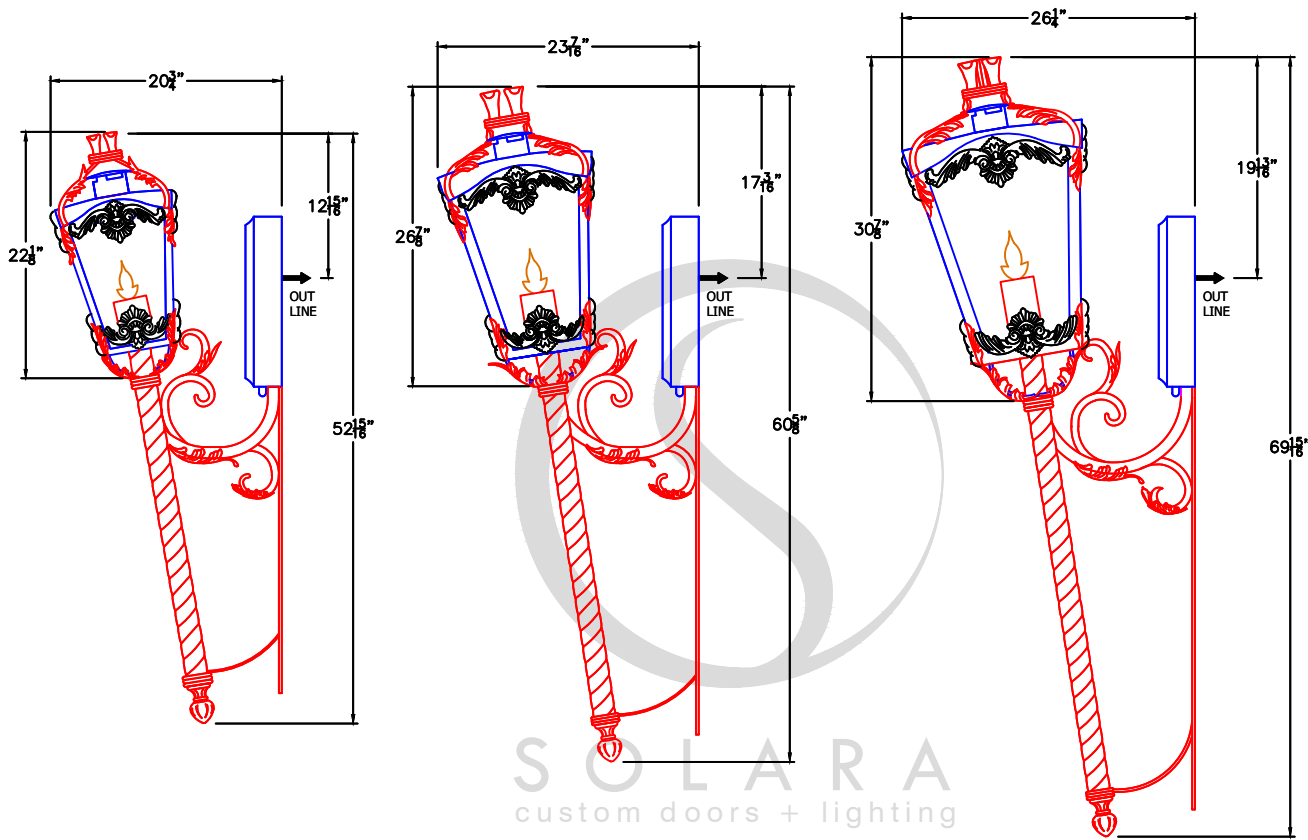
* ACTUAL DIMENSIONS MAY VARY UP TO 1/2"

CUSTOM DRAWING CHANGES

© 2021 SOLARA ENCHAINMENT
UNAUTHORIZED USE OF THIS
PLAN IS IN VIOLATION OF THE
U.S. COPYRIGHT ACT TITLE 17
OF THE U.S. CODE.



DESIGN:	NAPA CAST
LINE:	PIER MOUNT
FILE:	OLS-CLA-D-001-06SET-EL-S100-V1
DATE REV:	23/02/2021
DRAWN BY:	IAVS



MEDIUM
D-001C-082
11 1/2" W X 53" H X 20 1/2" D

LARGE
D-001C-083
14" W X 60 1/2" H X 23 1/2" D

XLARGE
D-001C-084
17" W X 70" H X 26 1/2" D

AVAILABLE IN
GAS & ELECTRIC
WITH EXCEPTION
OF SMALL SIZE

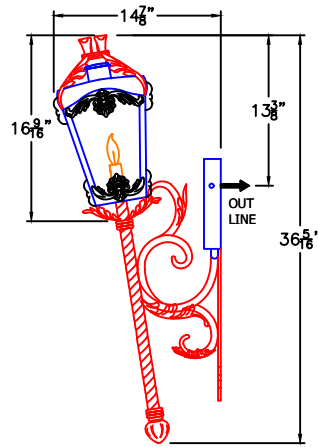
* ACTUAL DIMENSIONS MAY VARY UP TO 1/2"

CUSTOM DRAWING CHANGES

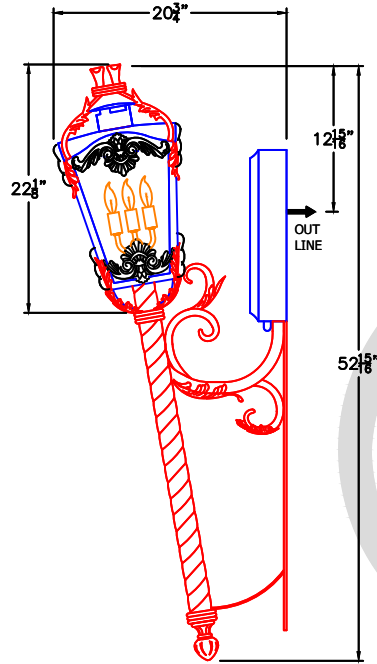
© 2021 SOLARA ENCHAINMENT
UNAUTHORIZED USE OF THIS
PLAN IS IN VIOLATION OF THE
U.S. COPYRIGHT ACT TITLE 17
OF THE U.S. CODE.



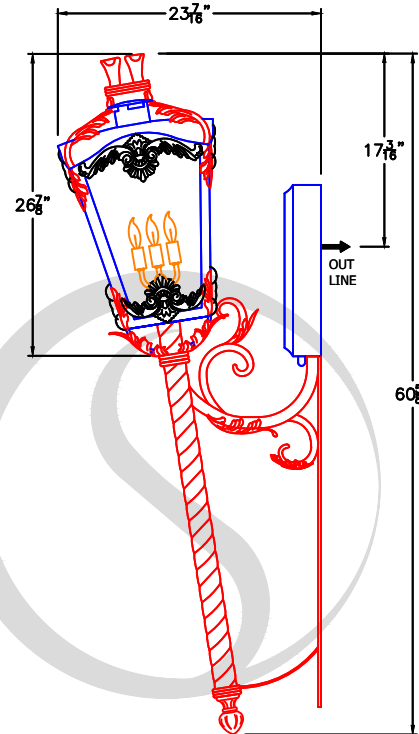
DESIGN:	NAPA CAST
LINE:	TORCH WET
FILE:	OLS-CLA-D-001-08SET-EG-S100-V1
DATE REV :	23/02/2021 DRAWN BY : IAVS



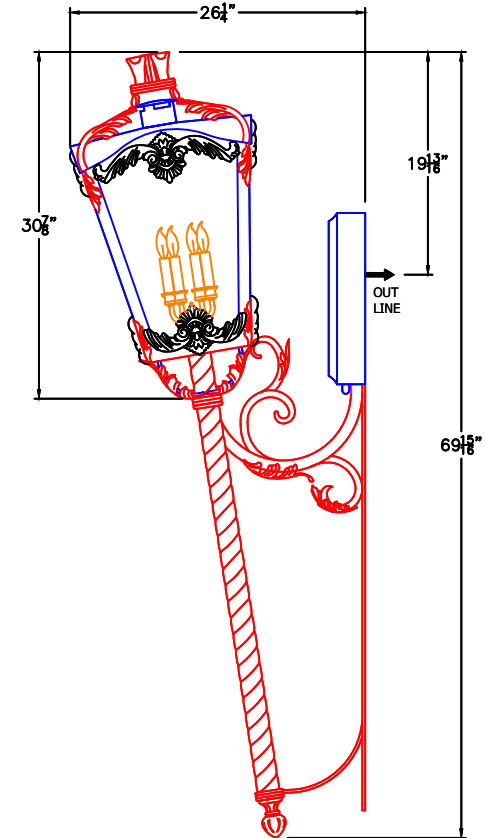
SMALL
D-001C-081
9" W X 36 1/2" H X 15" D



MEDIUM
D-001C-082
11 1/2" W X 53" H X 20 1/2" D



LARGE
D-001C-083
14" W X 60 1/2" H X 23 1/2" D



XLARGE
D-001C-084
17" W X 70" H X 26 1/2" D

SOLARA
custom doors & lighting

AVAILABLE IN
GAS & ELECTRIC
WITH EXCEPTION
OF SMALL SIZE

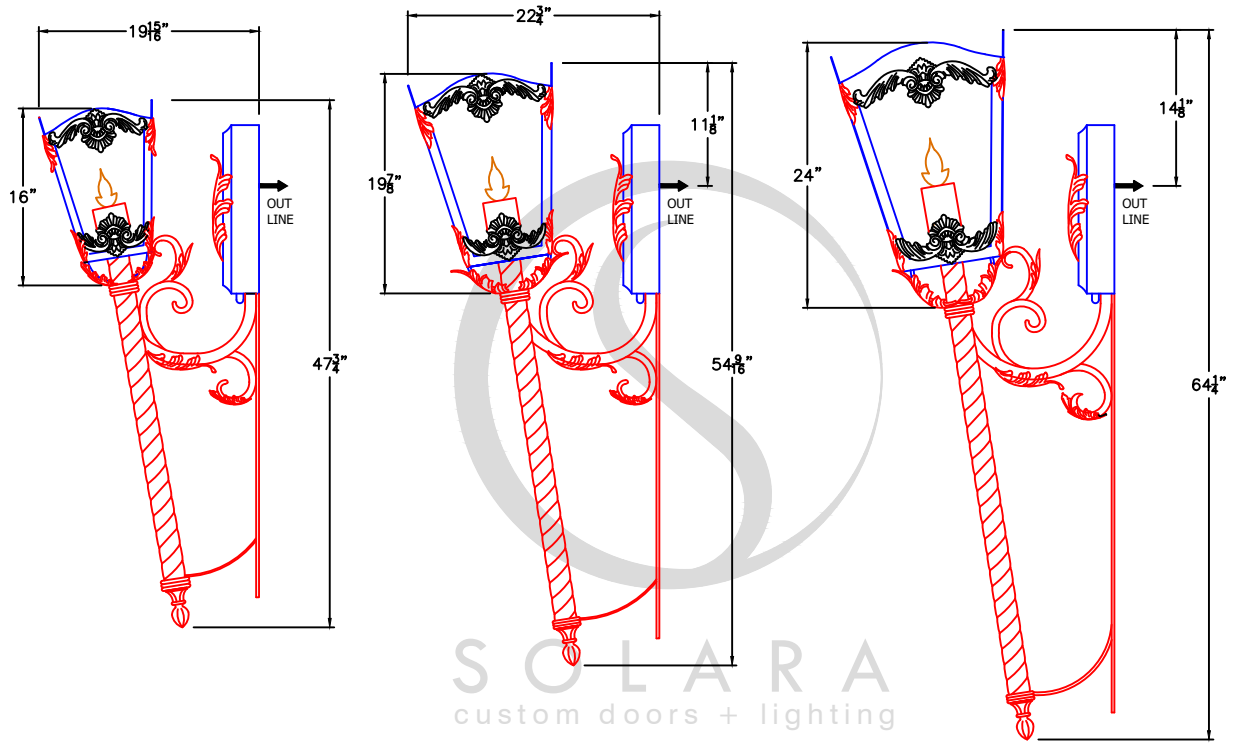
* ACTUAL DIMENSIONS MAY VARY UP TO 1/2"

CUSTOM DRAWING CHANGES

© 2021 SOLARA ENCHAINMENT
UNAUTHORIZED USE OF THIS
PLAN IS IN VIOLATION OF THE
U.S. COPYRIGHT ACT TITLE 17
OF THE U.S. CODE.



DESIGN:	NAPA CAST
LINE:	TORCH WET
FILE:	OLS-CLA-D-001-08SET-EL-S100-V1
DATE REV :	23/02/2021
DRAWN BY :	IAVS



MEDIUM
D-001C-092
11 1/2" W X 47 1/4" H X 20" D

LARGE
D-001C-093
14" W X 54 1/2" H X 23" D

XLARGE
D-001C-094
17" W X 64 1/2" H X 25 1/2" D

AVAILABLE IN
GAS & ELECTRIC
WITH EXCEPTION
OF SMALL SIZE

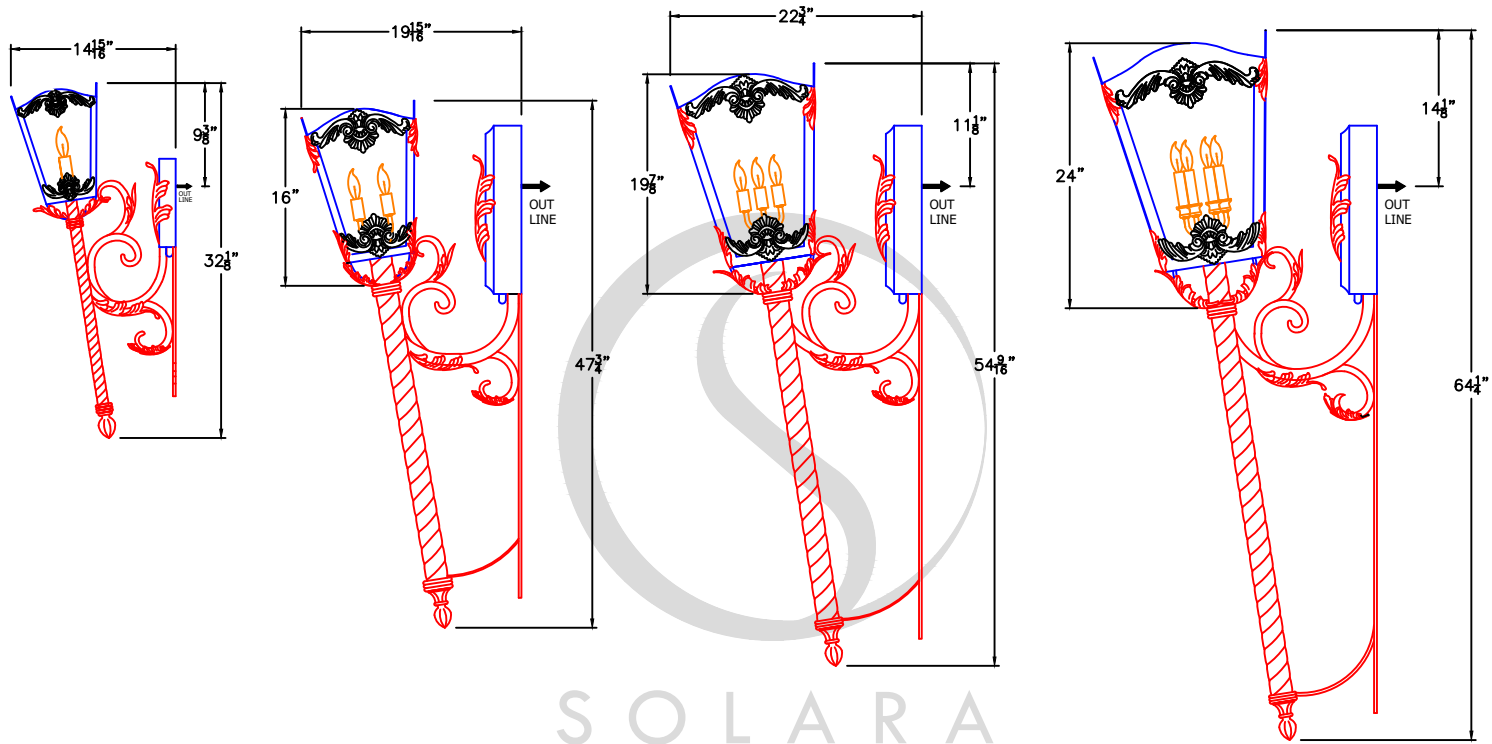
* ACTUAL DIMENSIONS MAY VARY UP TO 1/2"

CUSTOM DRAWING CHANGES

© 2021 SOLARA ENCHAINMENT
UNAUTHORIZED USE OF THIS
PLAN IS IN VIOLATION OF THE
U.S. COPYRIGHT ACT TITLE 17
OF THE U.S. CODE.



DESIGN:	NAPA CAST
LINE:	TORCH DAMP
FILE:	OLS-CLA-D-001-09SET-EG-S100-V1
DATE REV :	23/02/2021 DRAWN BY : IAVS



SMALL
D-001C-091
9" W X 32" H X 15" D

MEDIUM
D-001C-092
11 1/2" W X 47 1/2" H X 20" D

LARGE
D-001C-093
14" W X 54 1/2" H X 23" D

XLARGE
D-001C-094
17" W X 64 1/2" H X 25 1/2" D

SOLARA
custom doors & lighting

AVAILABLE IN
GAS & ELECTRIC
WITH EXCEPTION
OF SMALL SIZE

* ACTUAL DIMENSIONS MAY VARY UP TO 1/2"

CUSTOM DRAWING CHANGES

© 2021 SOLARA ENCHAINMENT
UNAUTHORIZED USE OF THIS
PLAN IS IN VIOLATION OF THE
U.S. COPYRIGHT ACT TITLE 17
OF THE U.S. CODE.



DESIGN:	NAPA CAST
LINE:	TORCH DAMP
FILE:	OLS-CLA-D-001-09SET-EL-S100-V1
DATE REV :	23/02/2021 DRAWN BY : IAVS