

SOLARA LIGHTING

2021

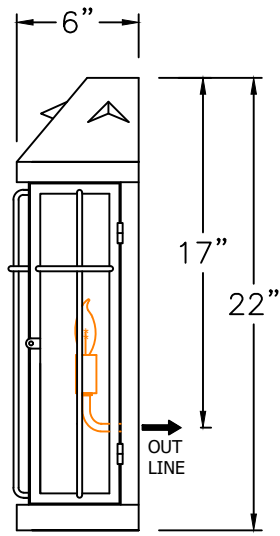
# QUADRILLE



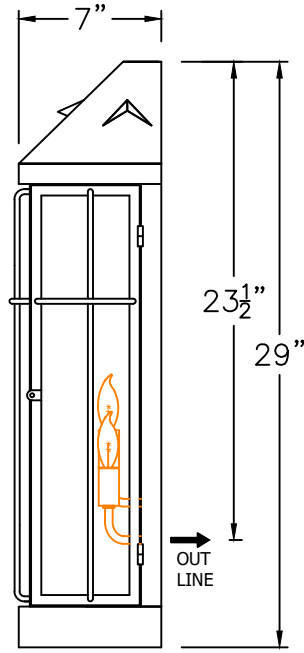
[www.solarcustomdoorsandlighting.com](http://www.solarcustomdoorsandlighting.com)

1-888-8SOLARA

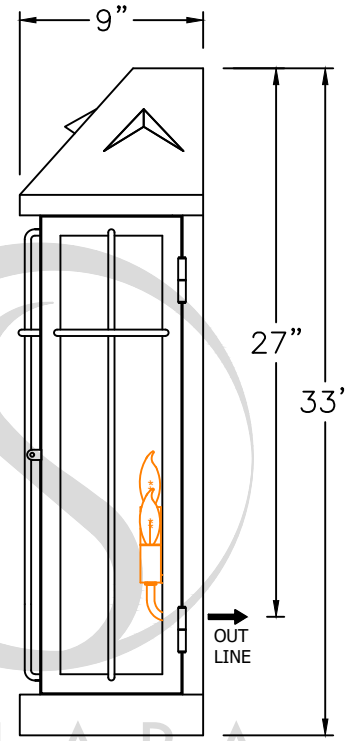
---



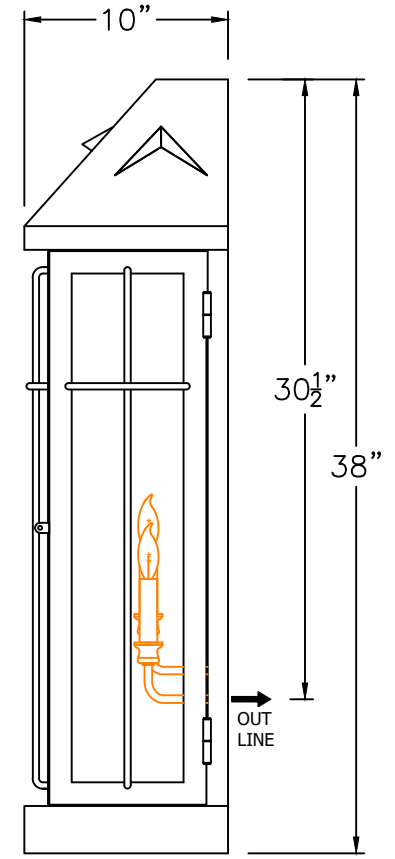
SMALL  
C-008-001  
9" W x 22 1/2" H x 6" D



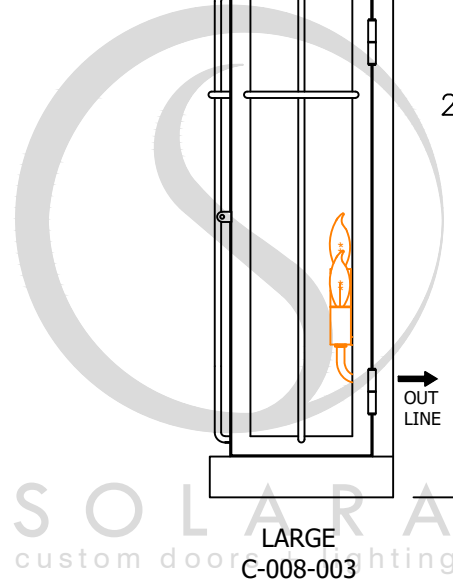
MEDIUM  
C-008-002  
12" W x 29" H x 7" D



LARGE  
C-008-003  
15" W x 33" H x 9" D



EXTRA LARGE  
C-008-004  
17 1/2" W x 38" H x 10" D



AVAILABLE IN  
GAS & ELECTRIC  
WITH EXCEPTION  
OF SMALL SIZE

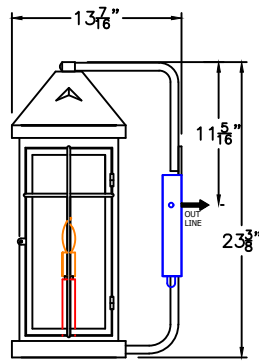
\* ACTUAL DIMENSIONS MAY VARY UP TO 1/2"

CUSTOM DRAWING CHANGES

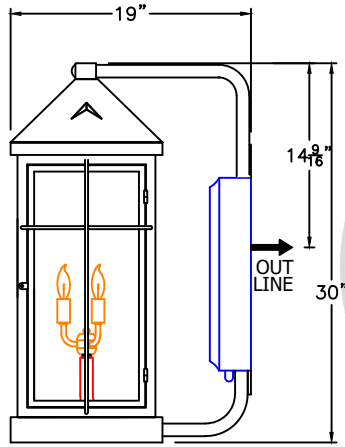
© 2021 SOLARA ENCHAINMENT  
UNAUTHORIZED USE OF THIS  
PLAN IS IN VIOLATION OF THE  
U.S. COPYRIGHT ACT TITLE 17  
OF THE U.S. CODE.



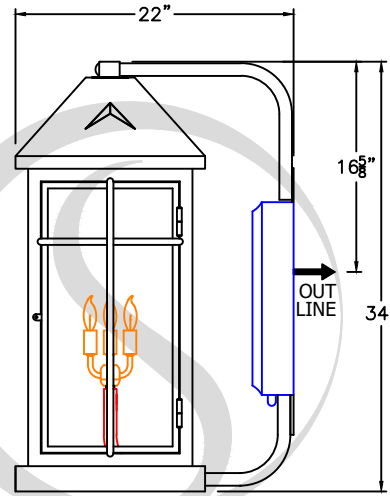
DESIGN:	QUADRILLE
LINE:	SCONCE
FILE:	OLS-MOD-C-008-00SET-EL-S100-V1
DATE REV:	19/02/2021
DRAWN BY:	IAVS



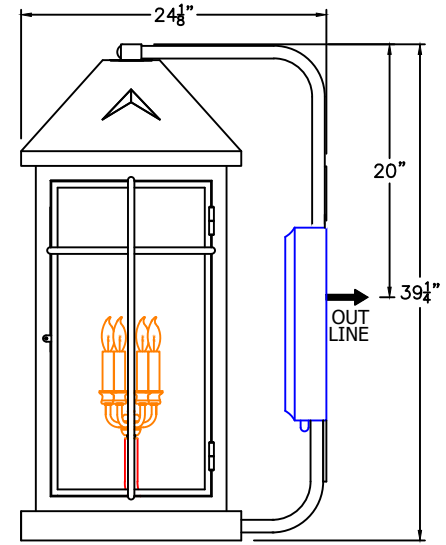
SMALL  
C-008-011  
9" W x 23 1/2" H x 13 1/2" D



MEDIUM  
C-008-012  
12" W x 30" H x 19" D



LARGE  
C-008-013  
15" W x 34" H x 22" D



EXTRA LARGE  
C-008-014  
17 1/2" W x 39 1/2" H x 24" D

SOLARA  
custom doors + lighting

AVAILABLE IN  
GAS & ELECTRIC  
WITH EXCEPTION  
OF SMALL SIZE

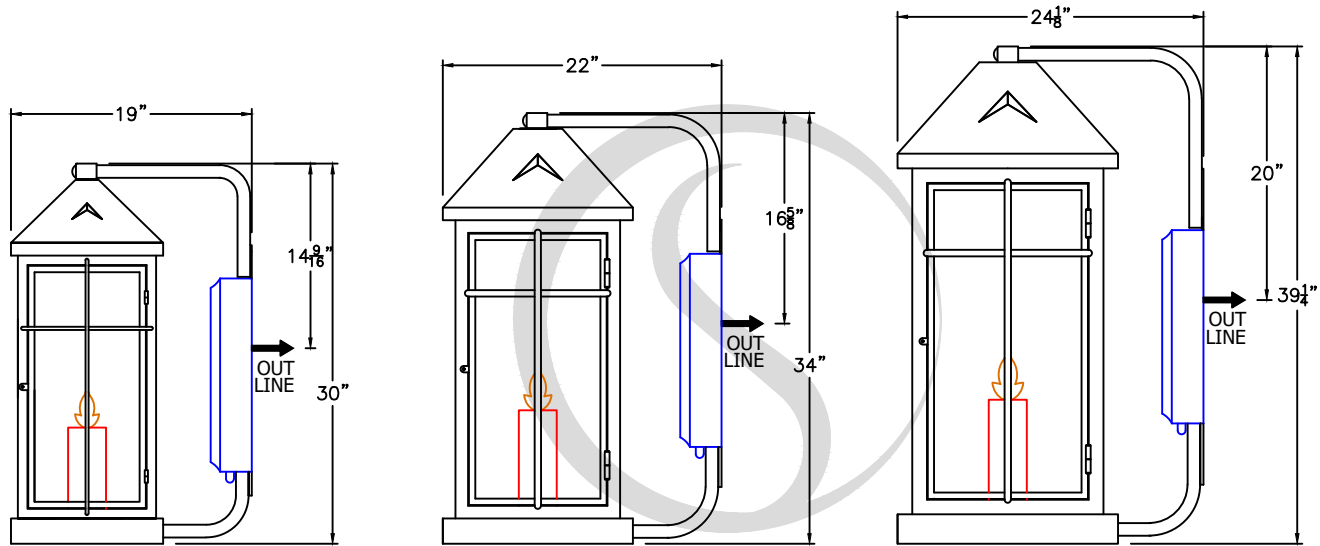
\* ACTUAL DIMENSIONS MAY VARY UP TO 1/2"

CUSTOM DRAWING CHANGES

© 2021 SOLARA ENCHAINMENT  
UNAUTHORIZED USE OF THIS  
PLAN IS IN VIOLATION OF THE  
U.S. COPYRIGHT ACT TITLE 17  
OF THE U.S. CODE.



DESIGN:	QUADRILLE
LINE:	WALL MOUNT
FILE:	OLS-MOD-C-008-01SET-EL-S100-V1
DATE REV :	19/02/2021
DRAWN BY :	IAVS



MEDIUM  
C-008-012  
12" W x 30" H x 19" D

LARGE  
C-008-013  
15" W x 34" H x 22" D

EXTRA LARGE  
C-008-014  
17 1/2" W x 39 1/4" H x 24" D

AVAILABLE IN  
GAS & ELECTRIC  
WITH EXCEPTION  
OF SMALL SIZE

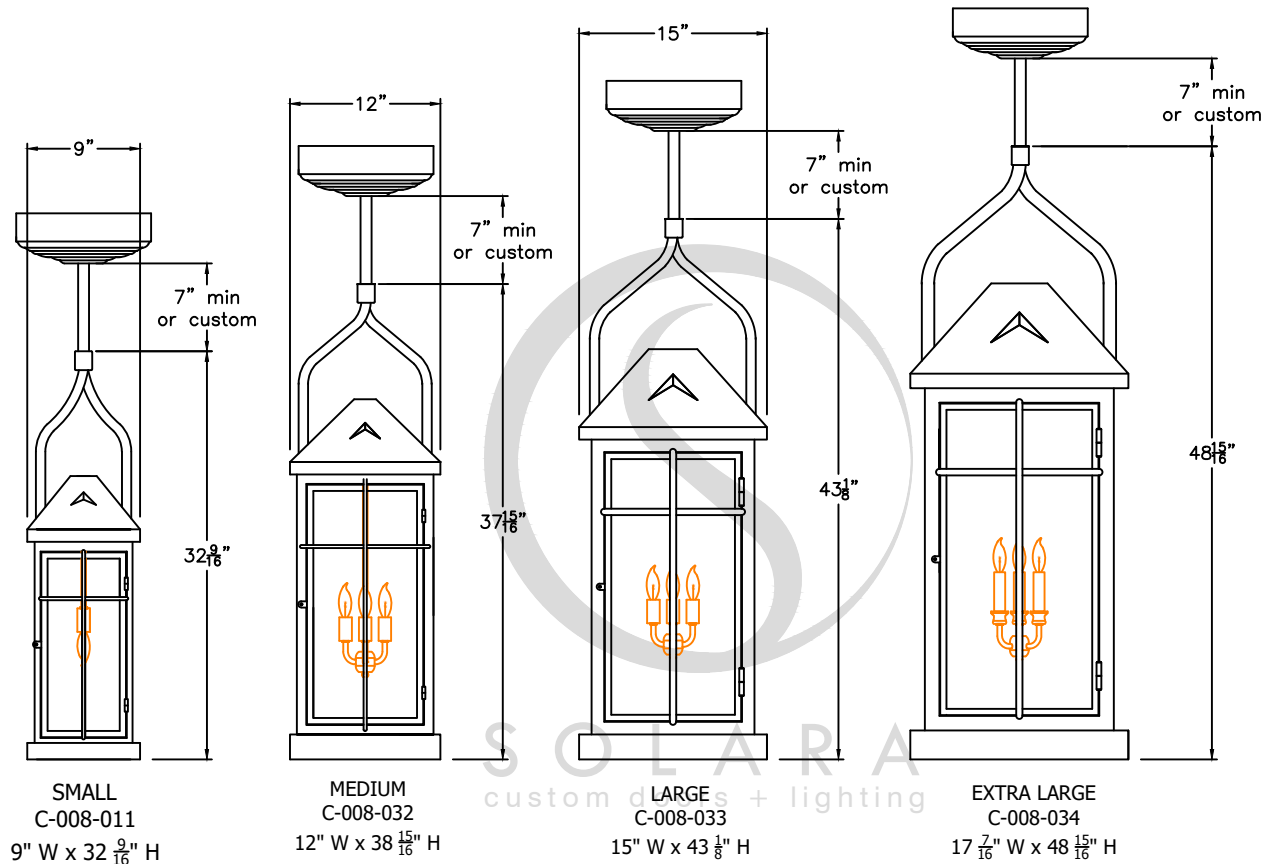
\* ACTUAL DIMENSIONS MAY VARY UP TO 1/2"

CUSTOM DRAWING CHANGES

© 2021 SOLARA ENCHAINMENT  
UNAUTHORIZED USE OF THIS  
PLAN IS IN VIOLATION OF THE  
U.S. COPYRIGHT ACT TITLE 17  
OF THE U.S. CODE.



DESIGN:	QUADRILLE
LINE:	WALL MOUNT
FILE:	OLS-MOD-C-008-01SET-EG-S100-V1
DATE REV :	19/02/2021
DRAWN BY :	IAVS



AVAILABLE IN  
GAS & ELECTRIC  
WITH EXCEPTION  
OF SMALL SIZE

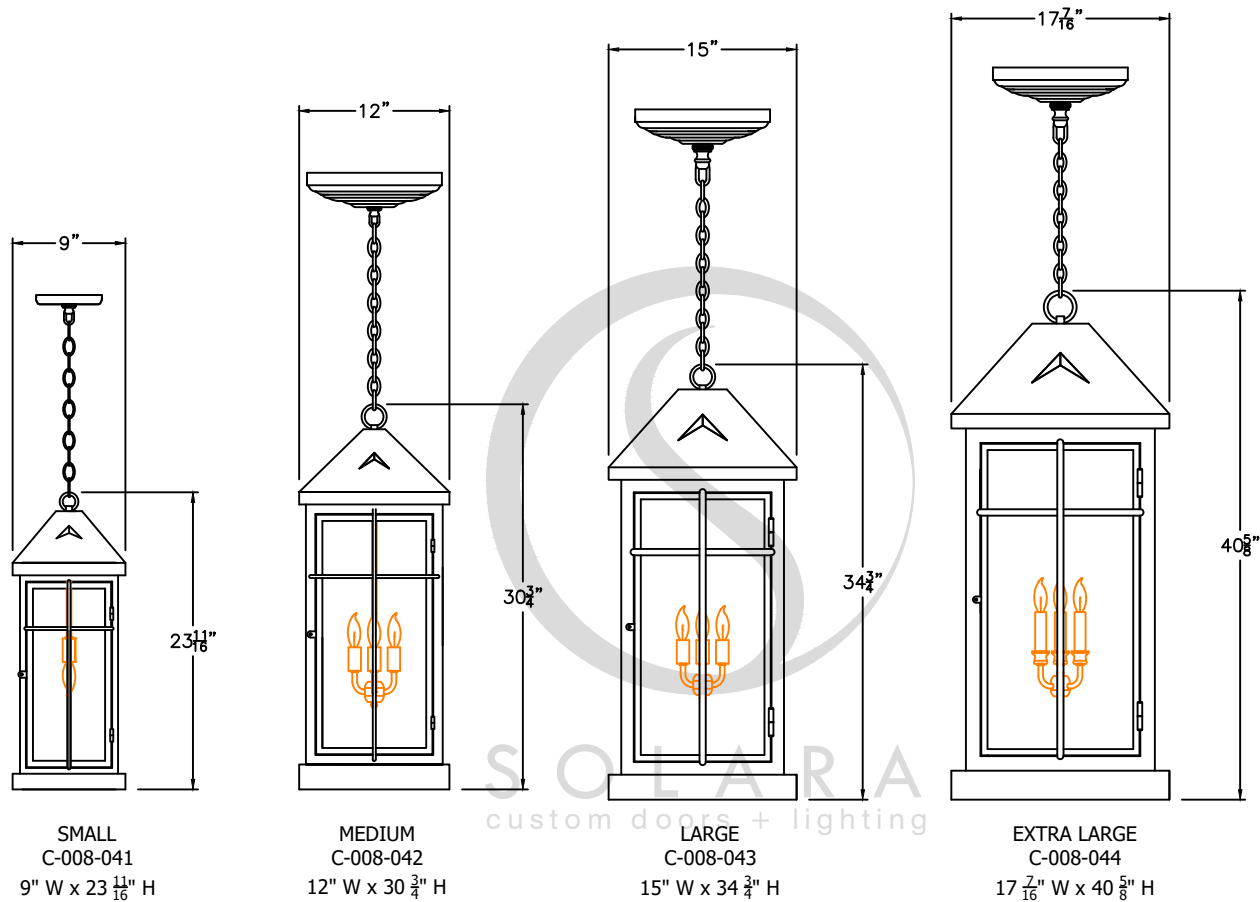
\* ACTUAL DIMENSIONS MAY VARY UP TO 1/2"

CUSTOM DRAWING CHANGES

© 2021 SOLARA ENCHAINMENT  
UNAUTHORIZED USE OF THIS  
PLAN IS IN VIOLATION OF THE  
U.S. COPYRIGHT ACT TITLE 17  
OF THE U.S. CODE.



DESIGN:	QUADRILLE
LINE:	PENDANT STEM
FILE:	OLS-MOD-C-008-03SET-EL-S100-V1
DATE REV :	19/02/2021 DRAWN BY : IAVS



AVAILABLE IN  
GAS & ELECTRIC  
WITH EXCEPTION  
OF SMALL SIZE

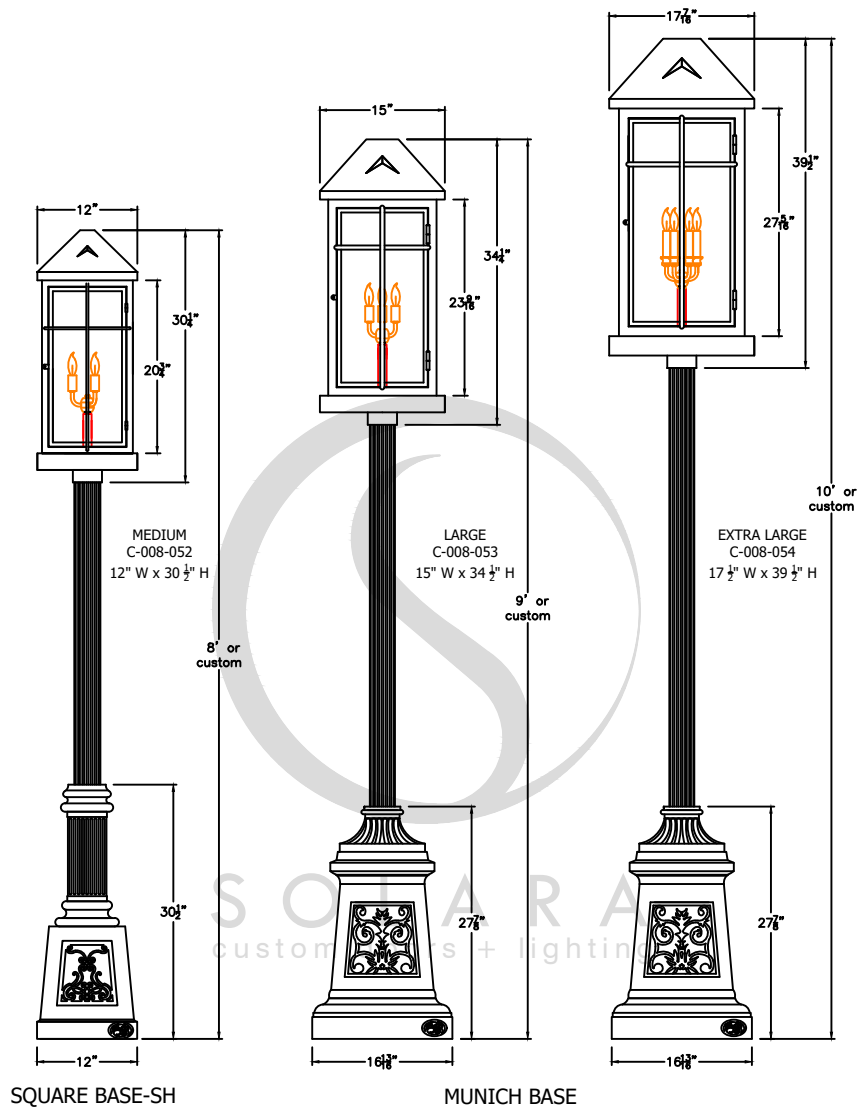
\* ACTUAL DIMENSIONS MAY VARY UP TO 1/2"

CUSTOM DRAWING CHANGES

© 2021 SOLARA ENCHAINMENT  
UNAUTHORIZED USE OF THIS  
PLAN IS IN VIOLATION OF THE  
U.S. COPYRIGHT ACT TITLE 17  
OF THE U.S. CODE.



DESIGN:	QUADRILLE
LINE:	PENDANT CHAIN
FILE:	OLS-MOD-C-008-04SET-EL-S100-V1
DATE REV :	19/02/2021 DRAWN BY : IAVS



AVAILABLE IN  
GAS & ELECTRIC  
WITH EXCEPTION  
OF SMALL SIZE

\* ACTUAL DIMENSIONS MAY VARY UP TO 1/2"

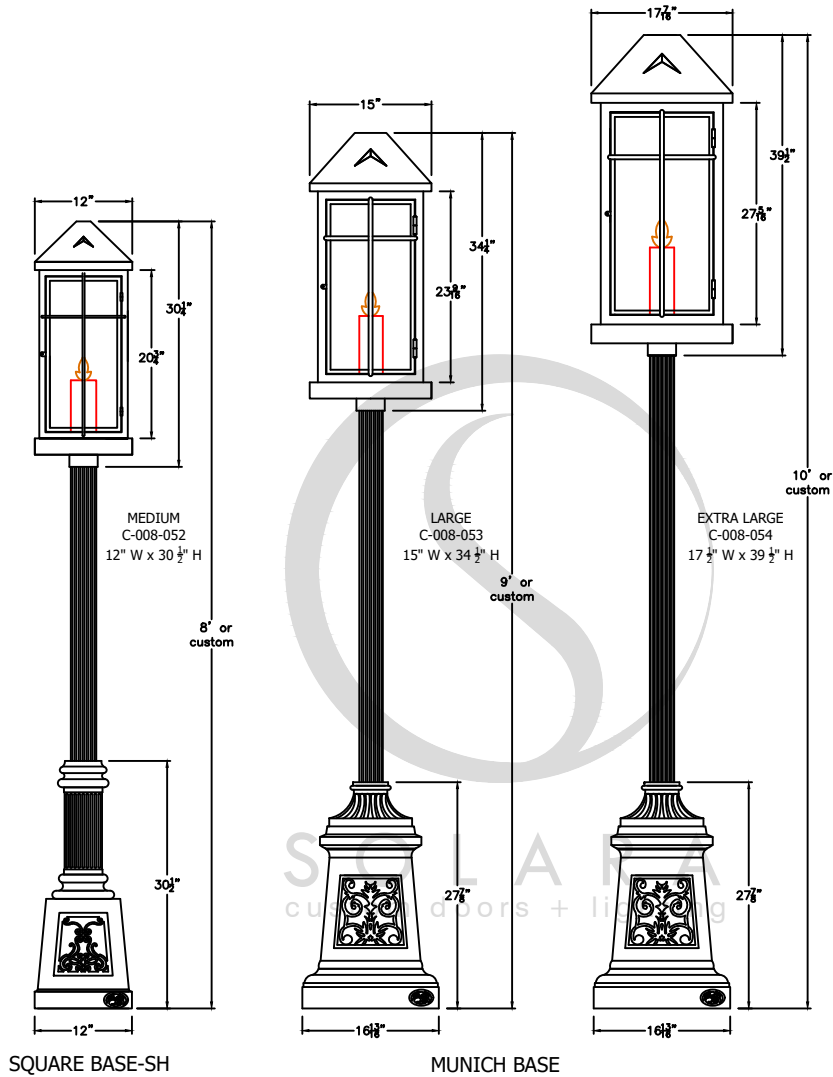
\* POST ARE SOLD SEPARATELY  
\* ACTUAL DIMENSIONS MAY VARY UP TO 1/2"

CUSTOM DRAWING CHANGES

© 2021 SOLARA ENCHAINMENT  
UNAUTHORIZED USE OF THIS  
PLAN IS IN VIOLATION OF THE  
U.S. COPYRIGHT ACT TITLE 17  
OF THE U.S. CODE.



DESIGN:	QUADRILLE
LINE:	POST MOUNT
FILE:	OLS-MOD-C-008-05SET-EL-S100-V1
DATE REV :	19/02/2021
DRAWN BY :	IAVS



AVAILABLE IN  
 GAS & ELECTRIC  
 WITH EXCEPTION  
 OF SMALL SIZE

\* ACTUAL DIMENSIONS MAY VARY UP TO 1/2"

\* POST ARE SOLD SEPARATELY  
 \* ACTUAL DIMENSIONS MAY VARY UP TO 1/2"

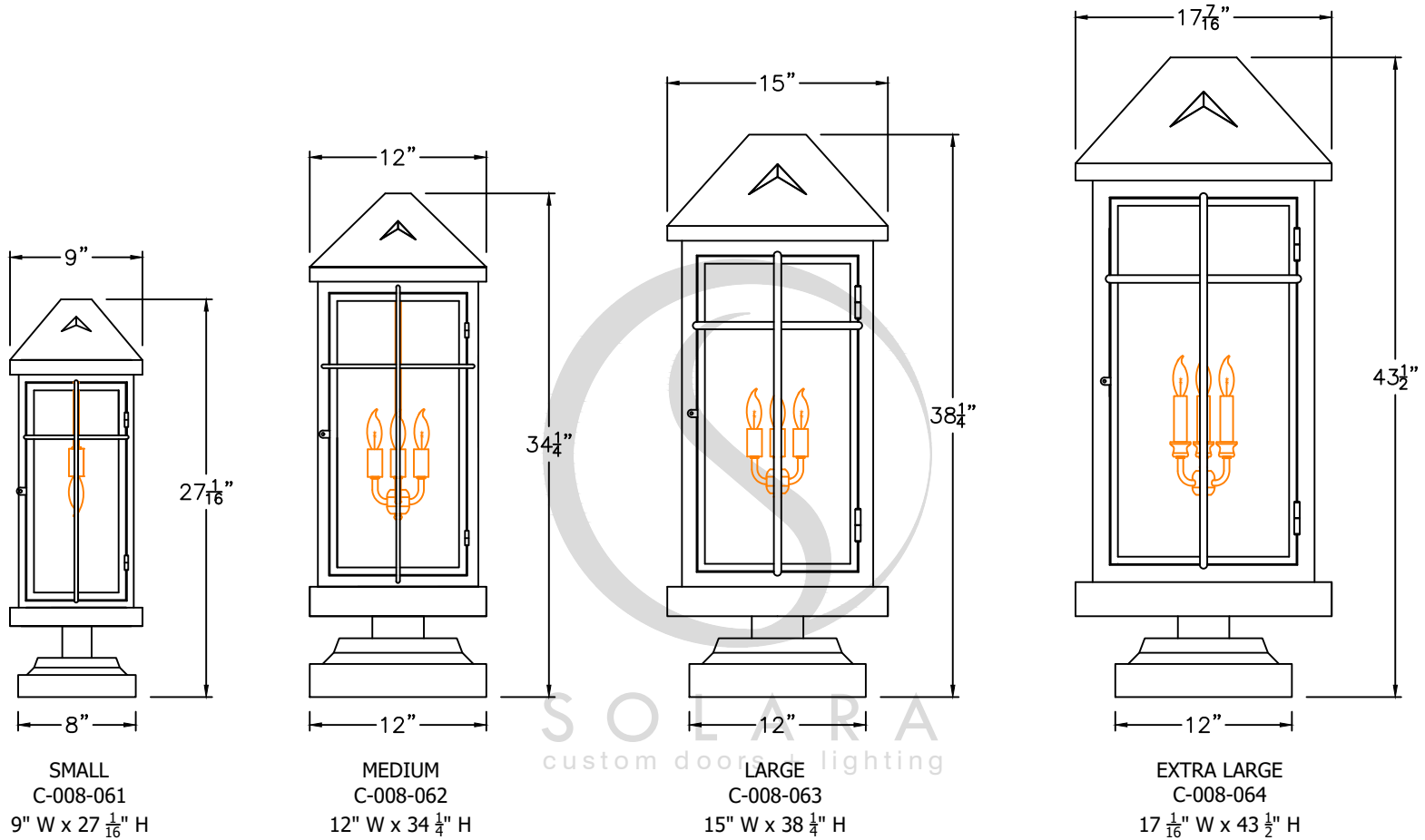
CUSTOM DRAWING CHANGES

© 2021 SOLARA ENCHAINMENT  
 UNAUTHORIZED USE OF THIS  
 PLAN IS IN VIOLATION OF THE  
 U.S. COPYRIGHT ACT TITLE 17  
 OF THE U.S. CODE.



DESIGN:	QUADRILLE
LINE:	POST MOUNT
FILE:	OLS-MOD-C-008-05SET-EG-S100-V1
DATE REV :	19/02/2021 DRAWN BY : IAVS





AVAILABLE IN  
GAS & ELECTRIC  
WITH EXCEPTION  
OF SMALL SIZE

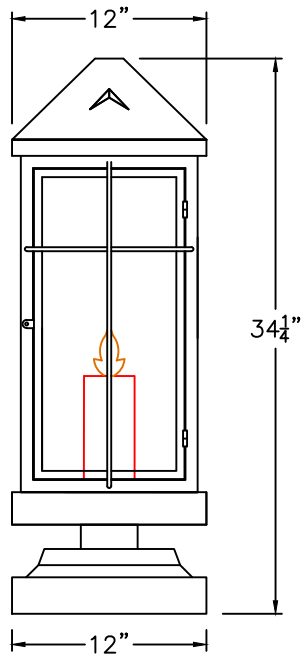
\* ACTUAL DIMENSIONS MAY VARY UP TO 1/2"

CUSTOM DRAWING CHANGES

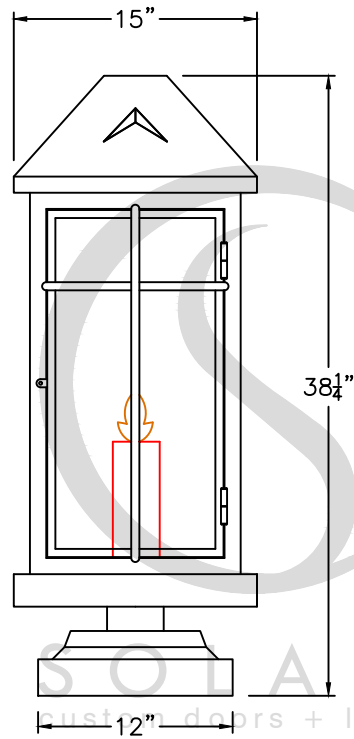
© 2021 SOLARA ENCHAINMENT  
UNAUTHORIZED USE OF THIS  
PLAN IS IN VIOLATION OF THE  
U.S. COPYRIGHT ACT TITLE 17  
OF THE U.S. CODE.



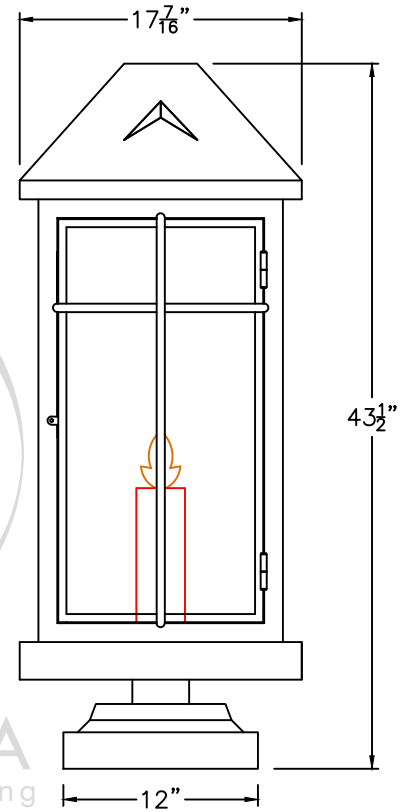
DESIGN:	QUADRILLE
LINE:	PIER MOUNT
FILE:	OLS-MOD-C-008-06SET-EL-S100-V1
DATE REV :	19/02/2021 DRAWN BY : IAVS



MEDIUM  
C-008-062  
12" W x 34 1/4" H



LARGE  
C-008-063  
15" W x 38 1/4" H



EXTRA LARGE  
C-008-064  
17 7/16" W x 43 1/2" H

AVAILABLE IN  
GAS & ELECTRIC  
WITH EXCEPTION  
OF SMALL SIZE

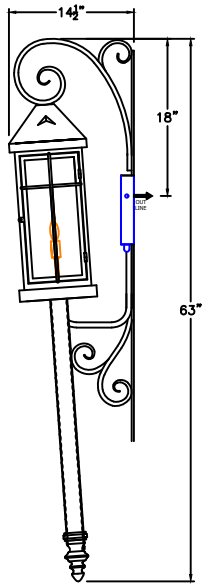
\* ACTUAL DIMENSIONS MAY VARY UP TO 1/2"

CUSTOM DRAWING CHANGES

© 2021 SOLARA ENCHAINMENT  
UNAUTHORIZED USE OF THIS  
PLAN IS IN VIOLATION OF THE  
U.S. COPYRIGHT ACT TITLE 17  
OF THE U.S. CODE.

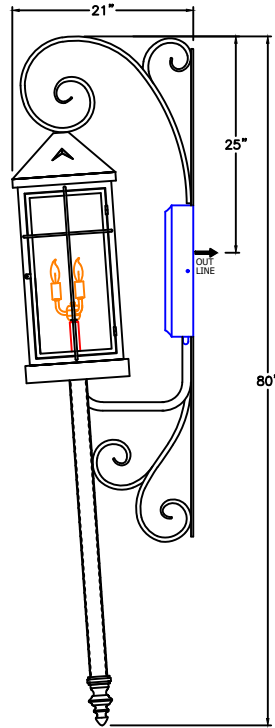


DESIGN:	QUADRILLE
LINE:	PIER MOUNT
FILE:	OLS-MOD-C-008-06SET-EG-S100-V1
DATE REV :	19/02/2021 DRAWN BY : IAVS



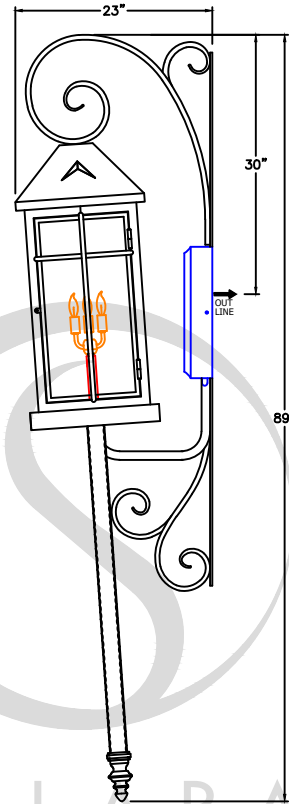
SMALL  
C-008-081

9" W X 63" H X 14 1/2" D



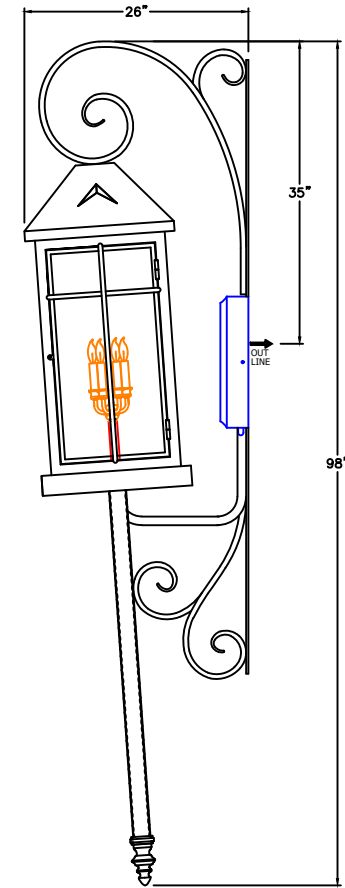
MEDIUM  
C-008-082

12" W X 80" H X 21" D



LARGE  
C-008-083

15" W X 89" H X 23" D



XLARGE  
C-008-084

17 1/2" W X 98" H X 26" D

SOLARA  
custom doors + lighting

AVAILABLE IN  
GAS & ELECTRIC  
WITH EXCEPTION  
OF SMALL SIZE

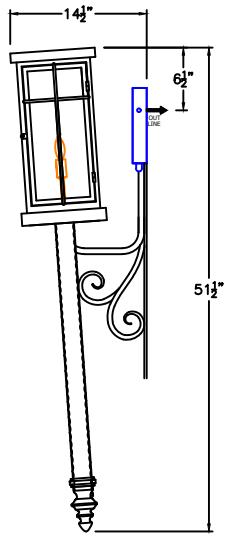
\* ACTUAL DIMENSIONS MAY VARY UP TO 1/2"

CUSTOM DRAWING CHANGES

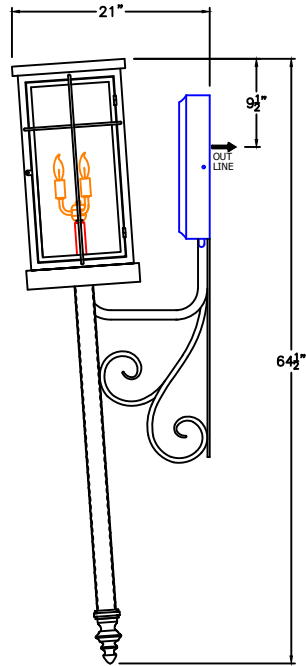
© 2021 SOLARA ENCHAINMENT  
UNAUTHORIZED USE OF THIS  
PLAN IS IN VIOLATION OF THE  
U.S. COPYRIGHT ACT TITLE 17  
OF THE U.S. CODE.



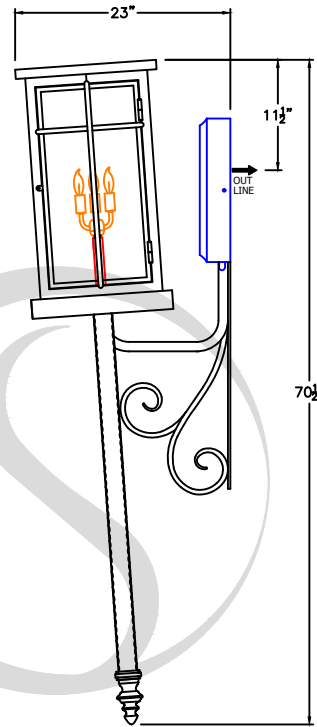
DESIGN:	QUADRILLE
LINE:	TORCH WET MOUNT
FILE:	OLS-MOD-C-008-08SET-EL-S100-V1
DATE REV :	19/02/2021 DRAWN BY : IAVS



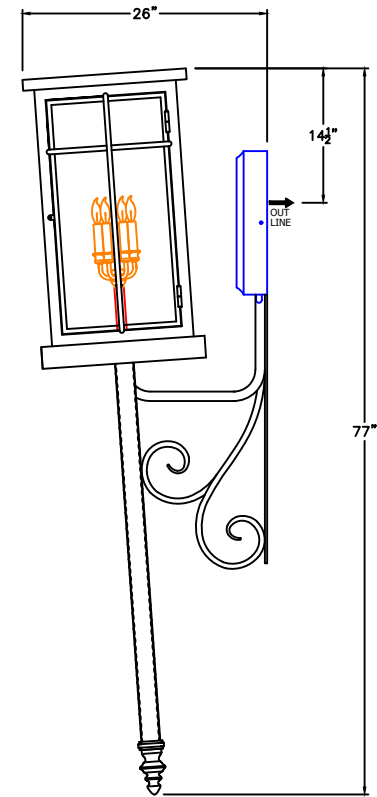
**SMALL**  
**C-008-081**  
 9" W X 51 1/2" H X 14 1/2" D



**MEDIUM**  
**C-008-082**  
 12" W X 64 1/2" H X 21" D



**LARGE**  
**C-008-083**  
 15" W X 70 1/2" H X 23" D



**XLARGE**  
**C-008-084**  
 17 1/2" W X 77" H X 26" D

SOLARA  
 custom doors & lighting

AVAILABLE IN  
 GAS & ELECTRIC  
 WITH EXCEPTION  
 OF SMALL SIZE

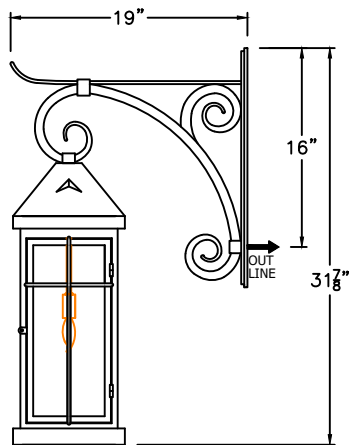
\* ACTUAL DIMENSIONS MAY VARY UP TO 1/2"

CUSTOM DRAWING CHANGES

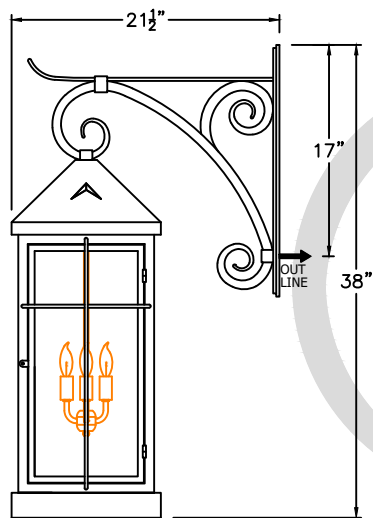
© 2021 SOLARA ENCHAINMENT  
 UNAUTHORIZED USE OF THIS  
 PLAN IS IN VIOLATION OF THE  
 U.S. COPYRIGHT ACT TITLE 17  
 OF THE U.S. CODE.



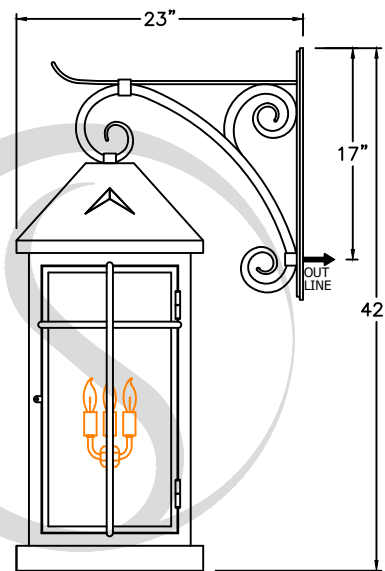
DESIGN:	QUADRILLE
LINE:	TORCH DRY MOUNT
FILE:	OLS-MOD-C-008-19SET-EL-S100-V1
DATE REV :	19/02/2021 DRAWN BY : IAVS



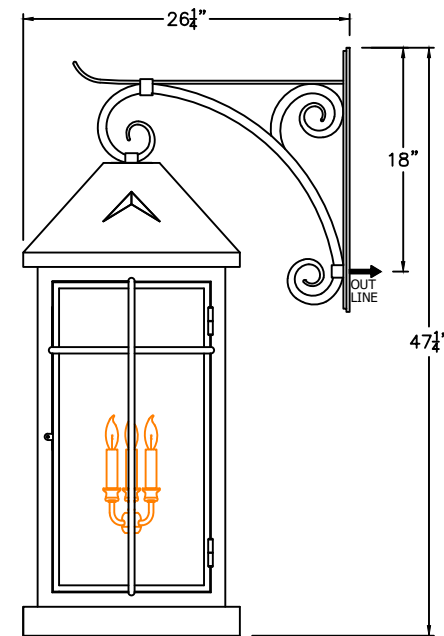
SMALL  
C-008-101  
9" W X 32" H X 19" D



MEDIUM  
C-008-102  
12" W X 38" H X 21 1/2" D



LARGE  
C-008-103  
15" W X 42" H X 23" D



XLARGE  
C-008-104  
17 1/2" W X 47 1/2" H X 26" D

AVAILABLE IN  
GAS & ELECTRIC  
WITH EXCEPTION  
OF SMALL SIZE

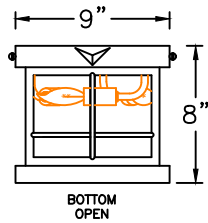
\* ACTUAL DIMENSIONS MAY VARY UP TO 1/2"

CUSTOM DRAWING CHANGES

© 2021 SOLARA ENCHAINMENT  
UNAUTHORIZED USE OF THIS  
PLAN IS IN VIOLATION OF THE  
U.S. COPYRIGHT ACT TITLE 17  
OF THE U.S. CODE.

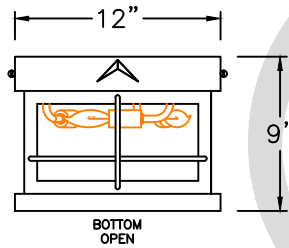


DESIGN:	QUADRILLE
LINE:	HANGIN BRACKET
FILE:	OLS-MOD-C-008-10SET-EL-S100-V1
DATE REV :	19/02/2021 DRAWN BY : IAVS



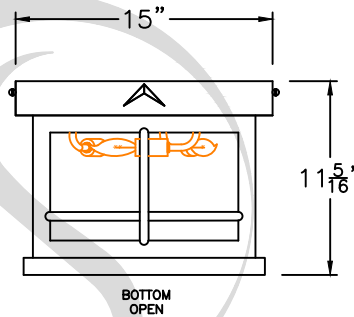
**SMALL**  
C-008-101

9" W X 8" H X 9" D



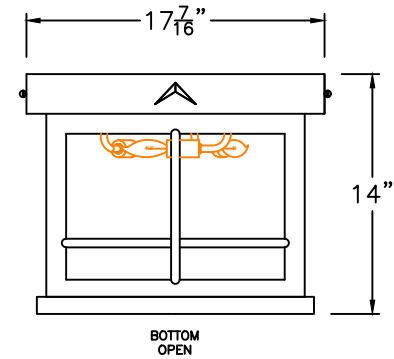
**MEDIUM**  
C-008-101

12" W X 9" H X 12" D



**LARGE**  
C-008-101

15" W X 11 <sup>5</sup>/<sub>16</sub>" H X 15" D



**XLARGE**  
C-008-101

17 <sup>7</sup>/<sub>16</sub>" W X 14" H X 9" D

SOLARA  
custom doors + lighting

AVAILABLE IN  
GAS & ELECTRIC  
WITH EXCEPTION  
OF SMALL SIZE

\* ACTUAL DIMENSIONS MAY VARY UP TO 1/2"

CUSTOM DRAWING CHANGES

© 2021 SOLARA ENCHAINMENT  
UNAUTHORIZED USE OF THIS  
PLAN IS IN VIOLATION OF THE  
U.S. COPYRIGHT ACT TITLE 17  
OF THE U.S. CODE.



DESIGN:	QUADRILLE
LINE:	CEILING MOUNT
FILE:	OLS-MOD-C-008-12SET-EL-S100-V1
DATE REV :	19/02/2021 DRAWN BY : IAVS