



SOLARA LIGHTING

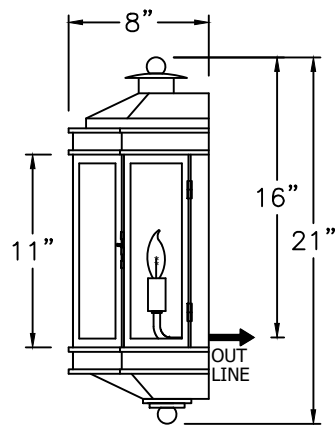
2021

CENTURY

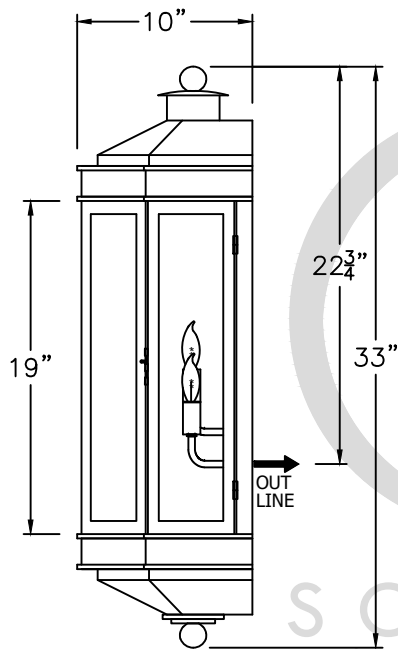


www.solarcustomdoorsandlighting.com

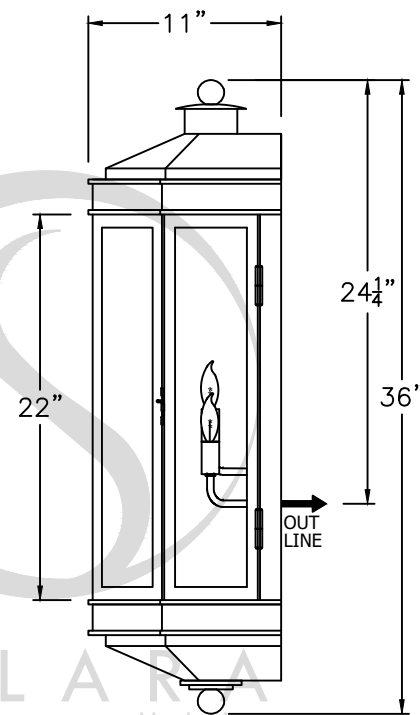
1-888-8SOLARA



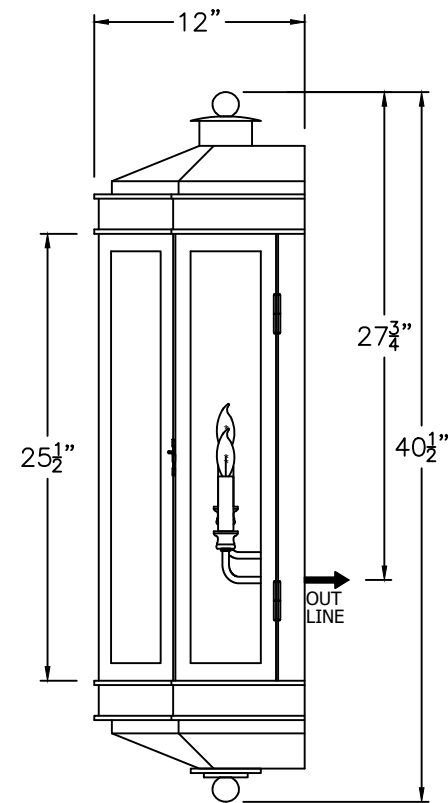
SMALL
D-011-001
10" W X 21" H X 8" D



MEDIUM
D-011-002
13" W X 33" H X 10" D



LARGE
D-011-003
14" W X 36" H X 11" D



XLARGE
D-011-004
15" W X 40 1/2" H X 12" D

ONLY AVAILABLE
IN ELECTRIC

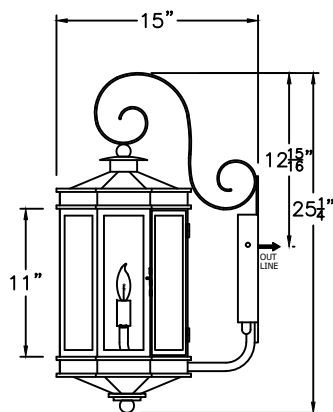
* ACTUAL DIMENSIONS MAY VARY UP TO 1/2"

CUSTOM DRAWING CHANGES

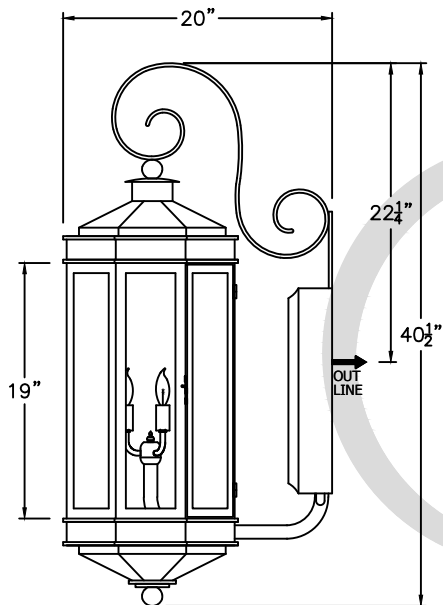
© 2021 SOLARA ENCHAINMENT
UNAUTHORIZED USE OF THIS
PLAN IS IN VIOLATION OF THE
U.S. COPYRIGHT ACT TITLE 17
OF THE U.S. CODE.



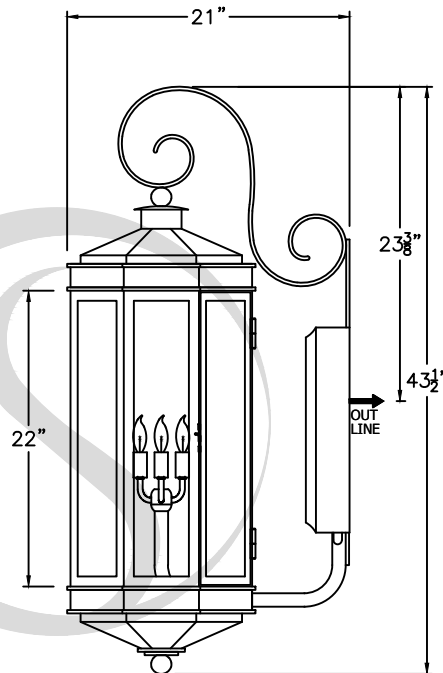
DESIGN:	CENTURY
LINE:	FLUSH SCONCE
FILE:	MOD-D-011-00SET-EL-S100-V2
DATE REV :	17/8/2021
DRAWN BY :	ADGS



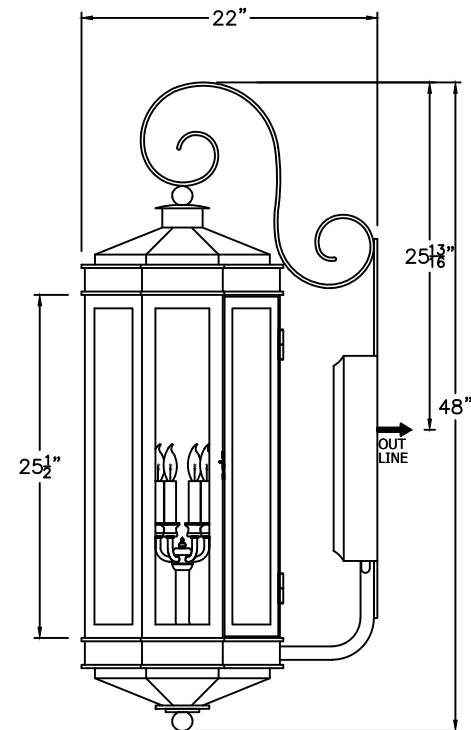
SMALL
D-011-011
10" W X 25 1/4" H X 15" D



MEDIUM
D-011-012
13" W X 40 1/2" H X 20" D



LARGE
D-011-013
14" W X 43 1/2" H X 21" D



XLARGE
D-011-014
15" W X 48" H X 22" D

AVAILABLE IN
GAS & ELECTRIC
WITH EXCEPTION
OF SMALL SIZE

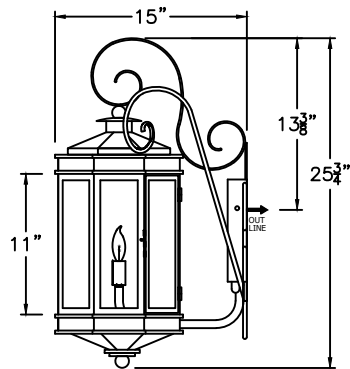
* ACTUAL DIMENSIONS MAY VARY UP TO 1/2"

CUSTOM DRAWING CHANGES

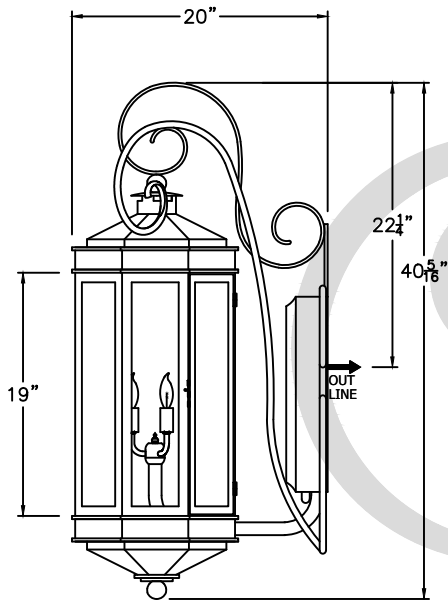
© 2021 SOLARA ENCHAINMENT
UNAUTHORIZED USE OF THIS
PLAN IS IN VIOLATION OF THE
U.S. COPYRIGHT ACT TITLE 17
OF THE U.S. CODE.



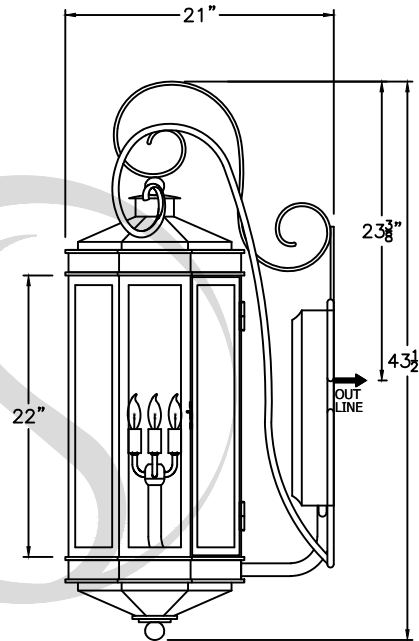
DESIGN:	CENTURY
LINE:	WALL MOUNT
FILE:	MOD-D-011-01SET-EL-S100-V2
DATE REV :	17/8/2021
DRAWN BY :	ADGS



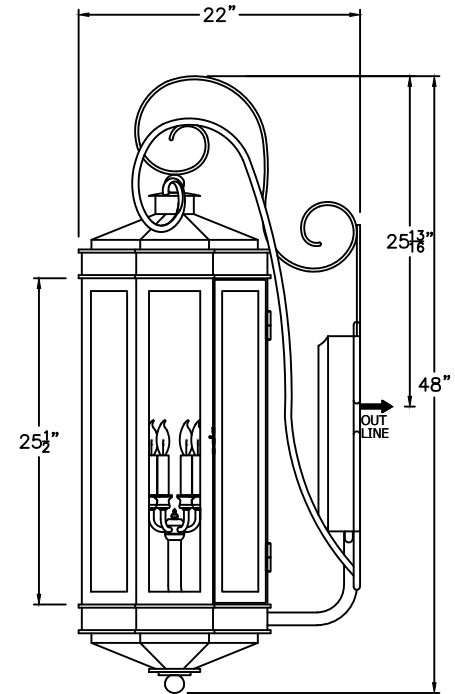
SMALL
D-011-011
10" W X 25 ³/₄" H X 15" D



MEDIUM
D-011-012
13" W X 40 ⁵/₈" H X 20" D



LARGE
D-011-013
14" W X 43 ¹/₂" H X 21" D



XLARGE
D-011-014
15" W X 48" H X 22" D

AVAILABLE IN
GAS & ELECTRIC
WITH EXCEPTION
OF SMALL SIZE

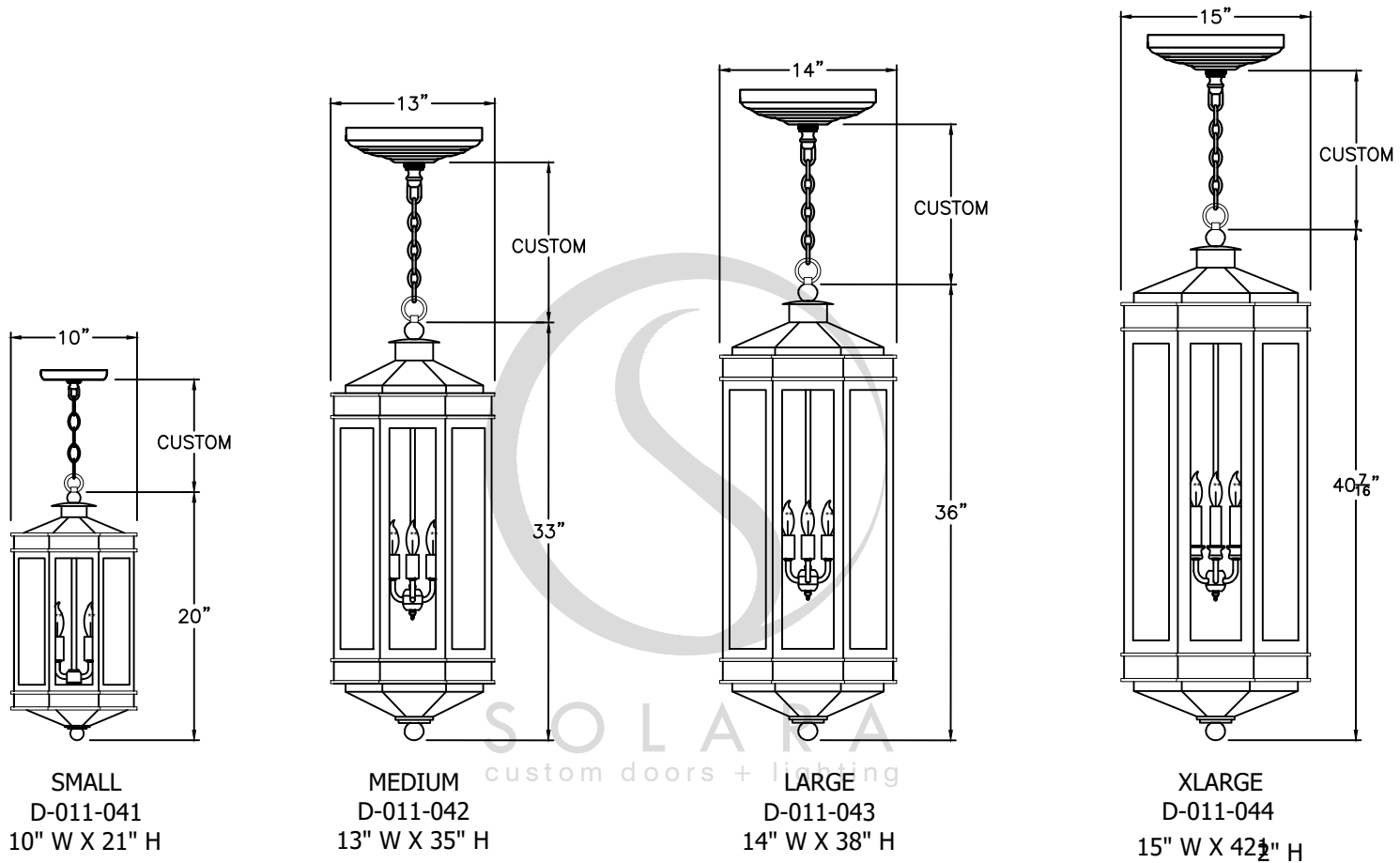
* ACTUAL DIMENSIONS MAY VARY UP TO 1/2"

CUSTOM DRAWING CHANGES

© 2021 SOLARA ENCHAINMENT
UNAUTHORIZED USE OF THIS
PLAN IS IN VIOLATION OF THE
U.S. COPYRIGHT ACT TITLE 17
OF THE U.S. CODE.



DESIGN:	CENTURY
LINE:	HANGING BRACKET
FILE:	MOD-D-011-02SET-EL-S100-V2
DATE REV :	17/8/2021
DRAWN BY :	----



ONLY AVAILABLE
IN ELECTRIC

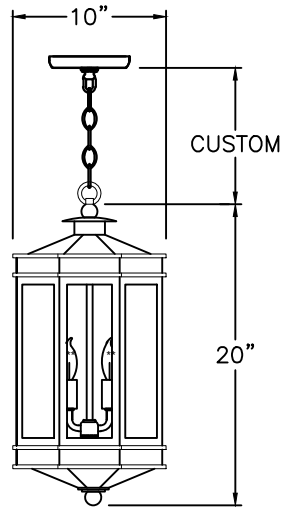
* ACTUAL DIMENSIONS MAY VARY UP TO 1/2"

CUSTOM DRAWING CHANGES

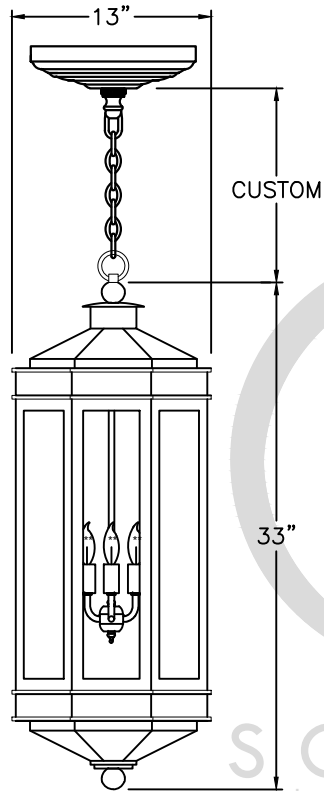
© 2021 SOLARA ENCHAINMENT
UNAUTHORIZED USE OF THIS
PLAN IS IN VIOLATION OF THE
U.S. COPYRIGHT ACT TITLE 17
OF THE U.S. CODE.



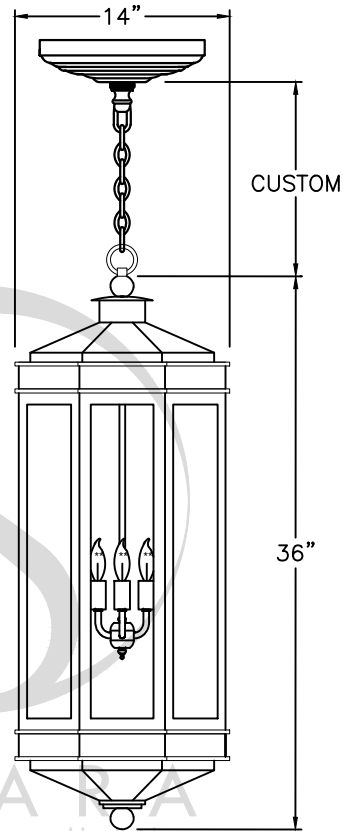
DESIGN:	CENTURY
LINE:	PENDANT CHAIN
FILE:	MOD-D-011-03SET-EL-S100-V2
DATE REV :	17/8/2021
DRAWN BY :	SFG



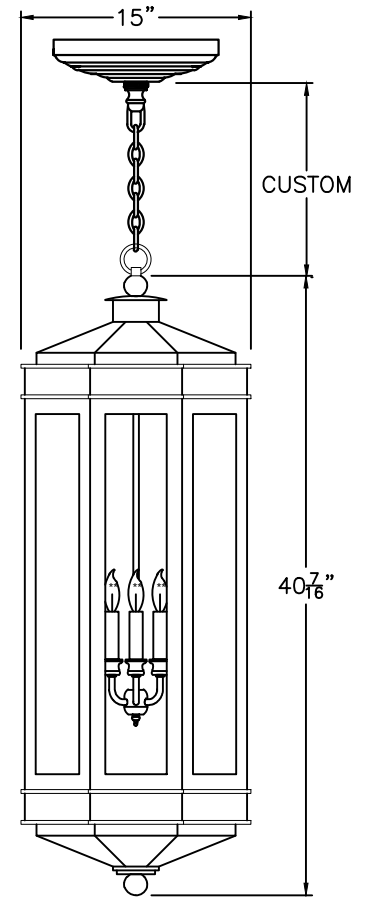
SMALL
D-011-041
10" W X 21" H



MEDIUM
D-011-042
13" W X 35" H



LARGE
D-011-043
14" W X 38" H



XLARGE
D-011-044
15" W X 42 1/2" H

ONLY AVAILABLE
IN ELECTRIC

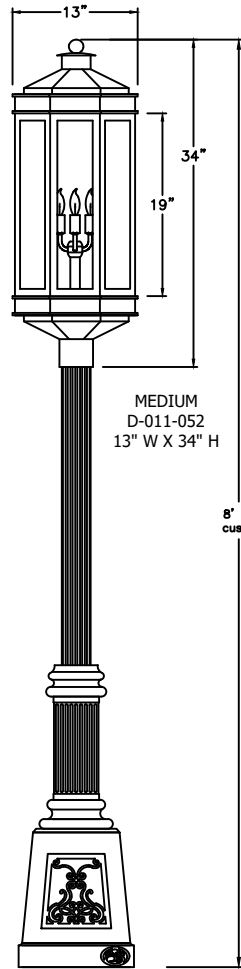
* ACTUAL DIMENSIONS MAY VARY UP TO 1/2"

CUSTOM DRAWING CHANGES

© 2021 SOLARA ENCHAINMENT
UNAUTHORIZED USE OF THIS
PLAN IS IN VIOLATION OF THE
U.S. COPYRIGHT ACT TITLE 17
OF THE U.S. CODE.

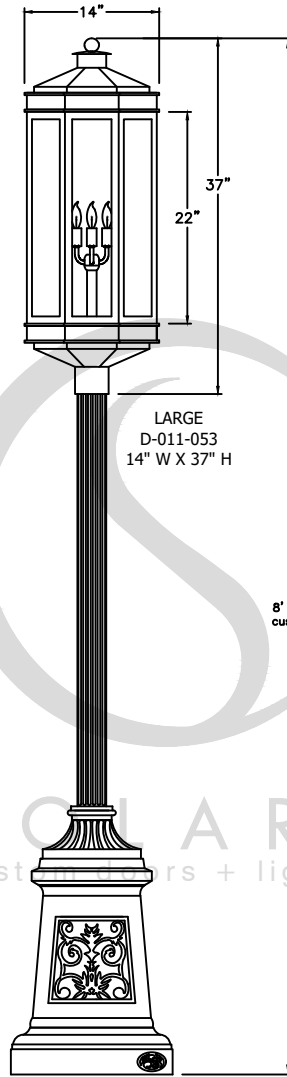


DESIGN:	CENTURY
LINE:	PENDANT CHAIN
FILE:	MOD-D-011-04SET-EL-S100-V2
DATE REV :	17/8/2021
DRAWN BY :	SFG



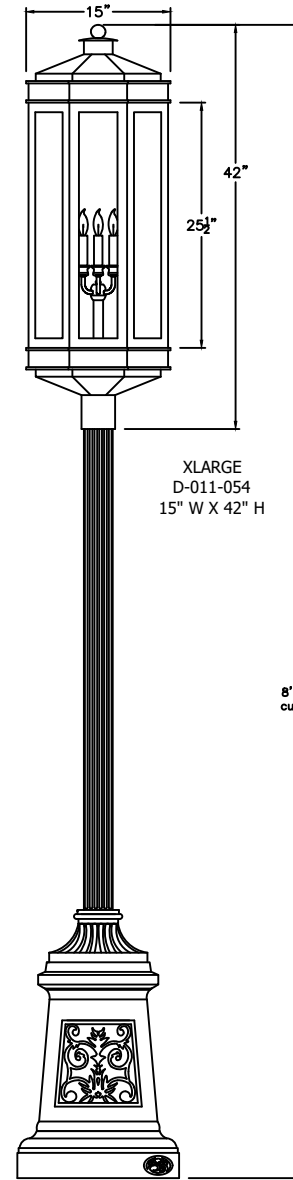
MEDIUM
D-011-052
13" W X 34" H

SOLARA BASE



LARGE
D-011-053
14" W X 37" H

MUNICH BASE



XLARGE
D-011-054
15" W X 42" H

AVAILABLE IN
GAS & ELECTRIC
WITH EXCEPTION
OF SMALL SIZE

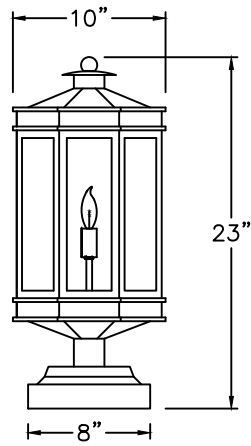
* ACTUAL DIMENSIONS MAY VARY UP TO 1/2"

CUSTOM DRAWING CHANGES

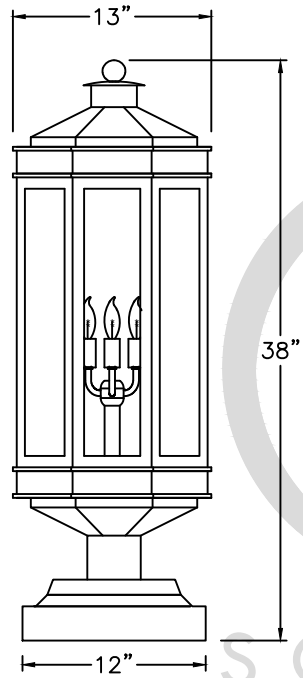
© 2021 SOLARA ENCHAINMENT
UNAUTHORIZED USE OF THIS
PLAN IS IN VIOLATION OF THE
U.S. COPYRIGHT ACT TITLE 17
OF THE U.S. CODE.



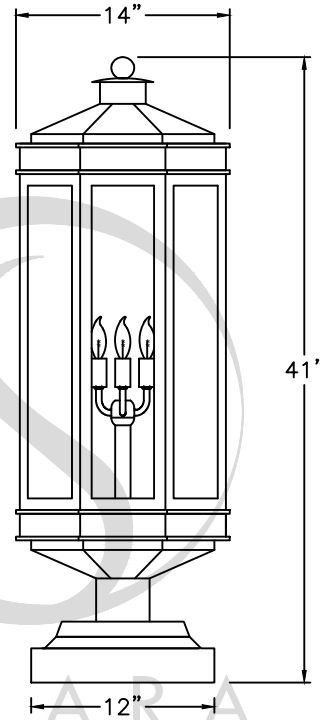
DESIGN:	CENTURY
LINE:	POST MOUNT
FILE:	MOD-D-011-05SET-EL-S100-V2
DATE REV :	17/8/2021
DRAWN BY :	----



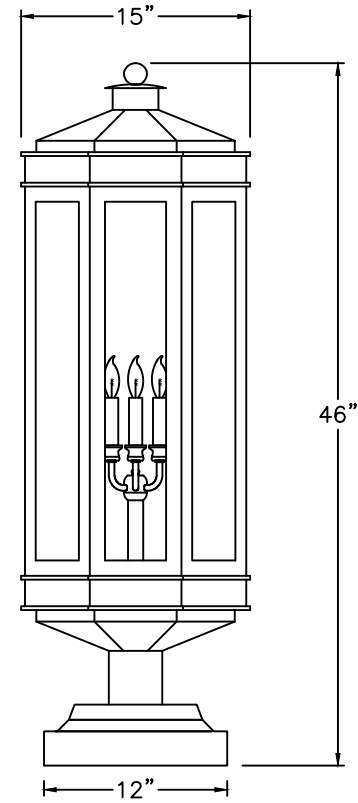
SMALL
D-011-061
10" W X 23" H



MEDIUM
D-011-062
13" W X 38" H



LARGE
D-011-063
14" W X 41" H



XLARGE
D-011-064
15" W X 46" H

AVAILABLE IN
GAS & ELECTRIC
WITH EXCEPTION
OF SMALL SIZE

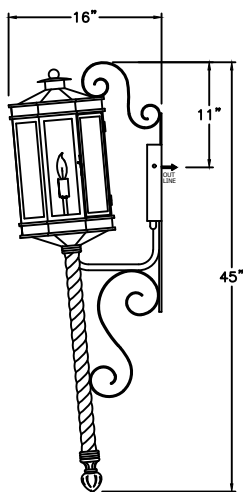
* ACTUAL DIMENSIONS MAY VARY UP TO 1/2"

CUSTOM DRAWING CHANGES

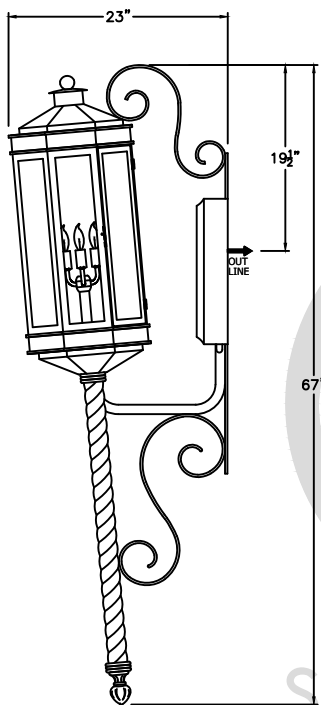
© 2021 SOLARA ENCHAINMENT
UNAUTHORIZED USE OF THIS
PLAN IS IN VIOLATION OF THE
U.S. COPYRIGHT ACT TITLE 17
OF THE U.S. CODE.



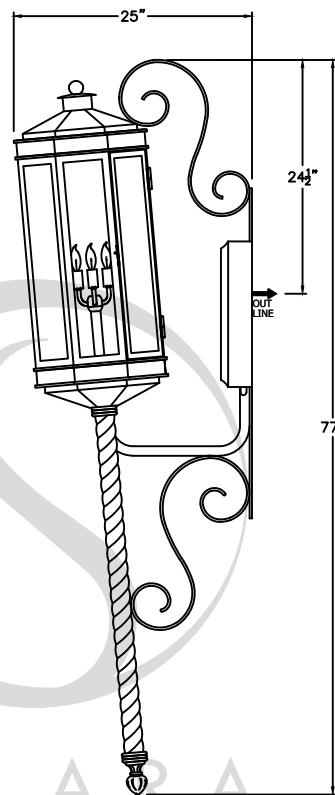
DESIGN:	CENTURY
LINE:	PIER MOUNT
FILE:	MOD-D-011-06SET-EL-S100-V2
DATE REV :	17/8/2021
DRAWN BY :	----



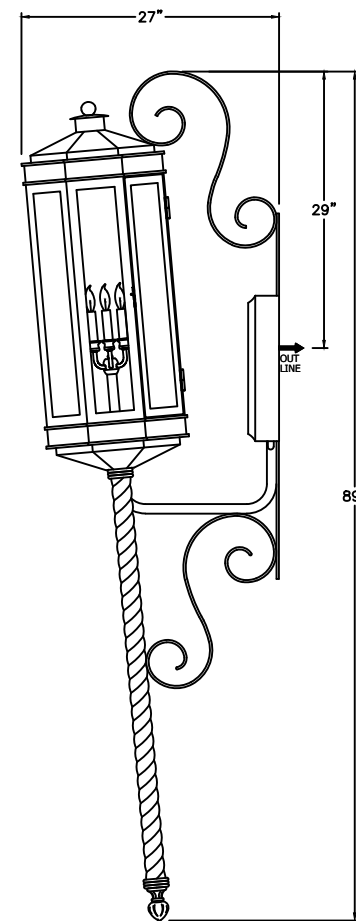
SMALL
 D-011-081
 10" W X 45" H X 16" D



MEDIUM
 D-011-082
 13" W X 67" H X 23" D



LARGE
 D-011-083
 14" W X 77" H X 25" D



XLARGE
 D-011-084
 15" W X 89" H X 27" D

AVAILABLE IN
 GAS & ELECTRIC
 WITH EXCEPTION
 OF SMALL SIZE

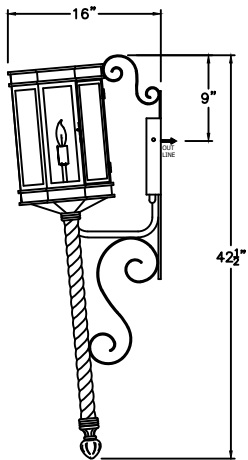
* ACTUAL DIMENSIONS MAY VARY UP TO 1/2"

CUSTOM DRAWING CHANGES

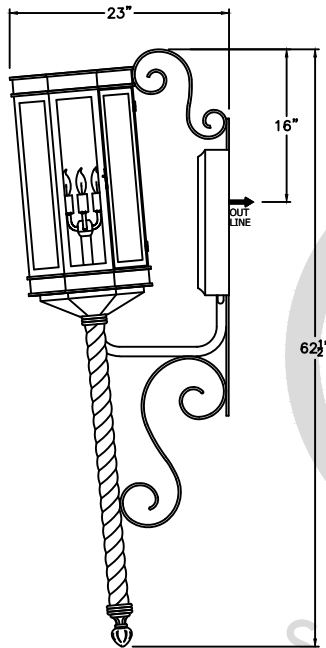
© 2021 SOLARA ENCHAINMENT
 UNAUTHORIZED USE OF THIS
 PLAN IS IN VIOLATION OF THE
 U.S. COPYRIGHT ACT TITLE 17
 OF THE U.S. CODE.



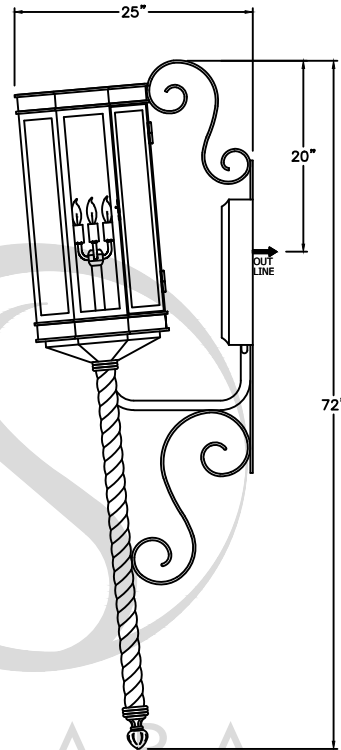
DESIGN:	CENTURY
LINE:	TORCH WET
FILE:	MOD-D-011-08SET-EL-S100-V2
DATE REV :	17/8/2021
DRAWN BY :	----



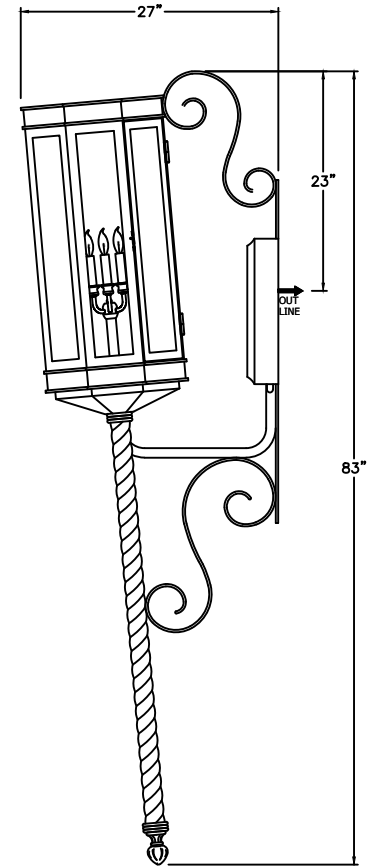
SMALL
D-011-091
10" W X 42 $\frac{1}{2}$ " H X 16" D



MEDIUM
D-011-092
13" W X 62 $\frac{1}{2}$ " H X 23" D



LARGE
D-011-093
14" W X 72" H X 25" D



XLARGE
D-011-094
15" W X 83" H X 27" D

AVAILABLE IN
GAS & ELECTRIC
WITH EXCEPTION
OF SMALL SIZE

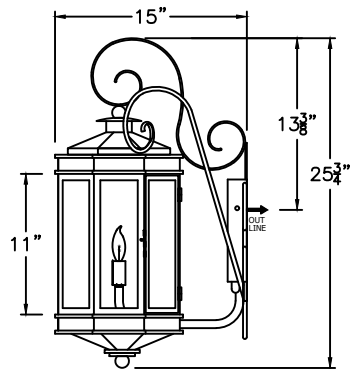
* ACTUAL DIMENSIONS MAY VARY UP TO 1/2"

CUSTOM DRAWING CHANGES

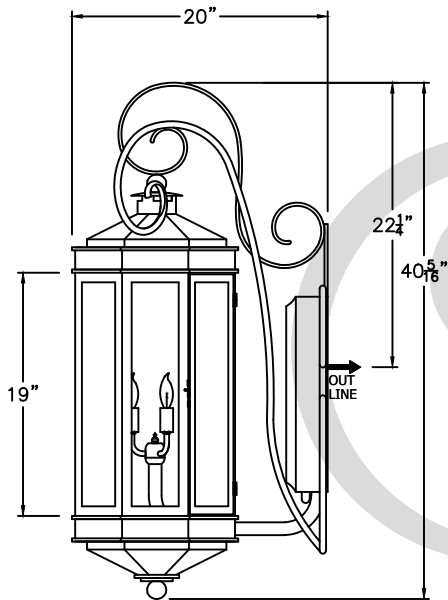
© 2021 SOLARA ENCHAINMENT
UNAUTHORIZED USE OF THIS
PLAN IS IN VIOLATION OF THE
U.S. COPYRIGHT ACT TITLE 17
OF THE U.S. CODE.



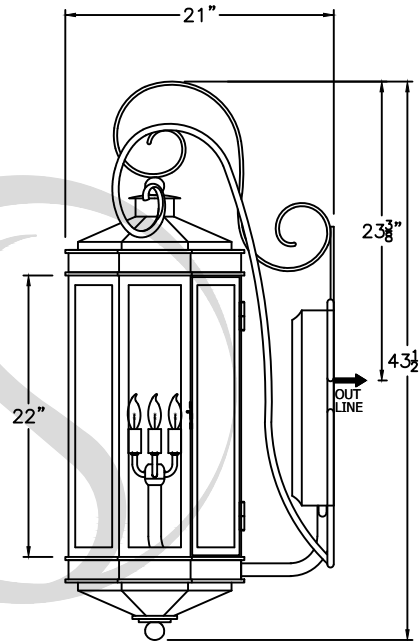
DESIGN:	CENTURY
LINE:	TORCH DRY
FILE:	MOD-D-011-09SET-EL-S100-V2
DATE REV :	17/8/2021
DRAWN BY :	----



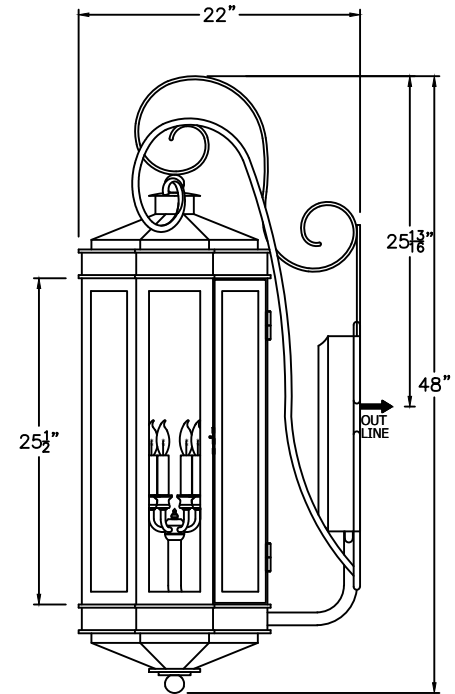
SMALL
D-011-011
10" W X 25 ³/₄" H X 15" D



MEDIUM
D-011-012
13" W X 40 ⁵/₈" H X 20" D



LARGE
D-011-013
14" W X 43 ¹/₂" H X 21" D



XLARGE
D-011-014
15" W X 48" H X 22" D

AVAILABLE IN
GAS & ELECTRIC
WITH EXCEPTION
OF SMALL SIZE

* ACTUAL DIMENSIONS MAY VARY UP TO 1/2"

CUSTOM DRAWING CHANGES

© 2021 SOLARA ENCHAINMENT
UNAUTHORIZED USE OF THIS
PLAN IS IN VIOLATION OF THE
U.S. COPYRIGHT ACT TITLE 17
OF THE U.S. CODE.



DESIGN:	CENTURY
LINE:	HANGING BRACKET
FILE:	MOD-D-011-10SET-EL-S100-V2
DATE REV :	17/8/2021
DRAWN BY :	----