

# SOLARA LIGHTING

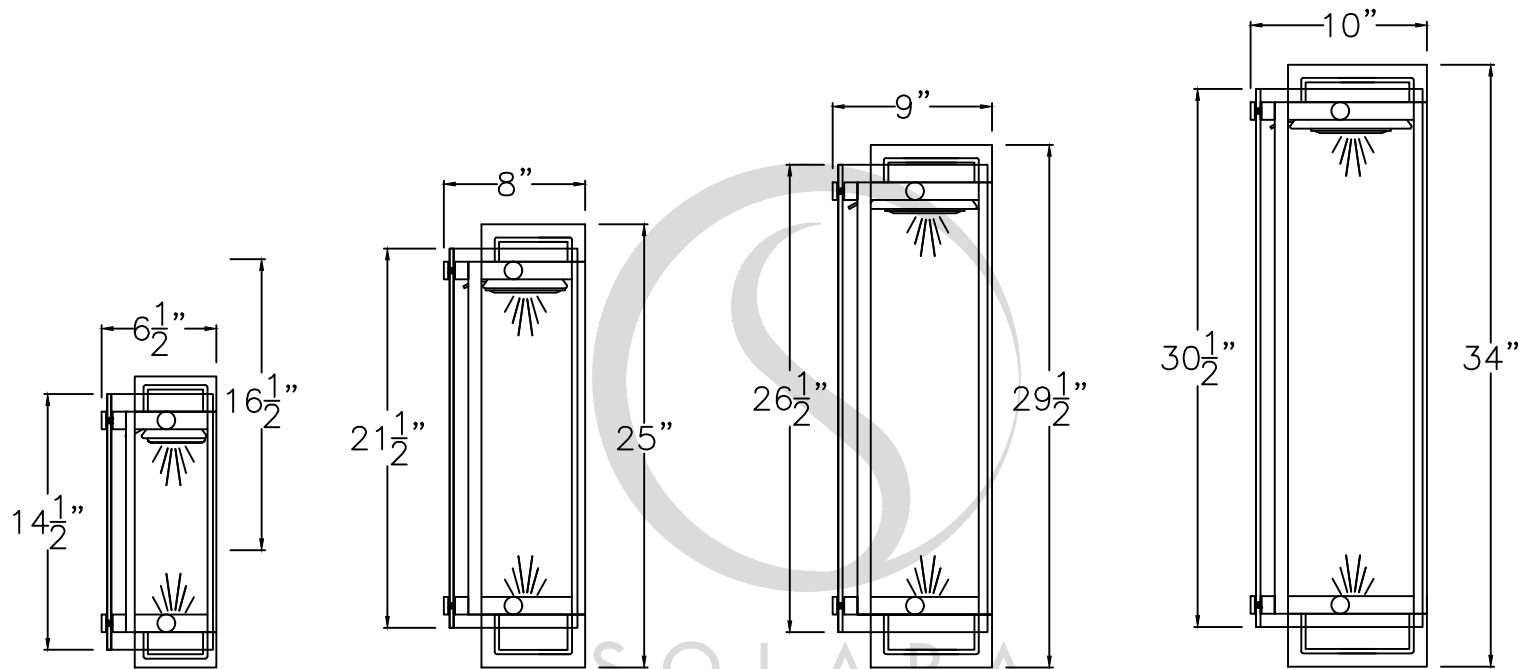
2021

## MAYA II



[www.solarcustomdoorsandlighting.com](http://www.solarcustomdoorsandlighting.com)

1-888-8SOLARA



SMALL  
B-007D-001  
8 1/2" W\* X 16 1/2" H X 6 1/2" D

MEDIUM  
B-007D-002  
10 1/2" W\* X 25" H X 8" D

LARGE  
B-007D-003  
12 1/2" W\* X 29 1/2" H X 9" D

X-LARGE  
B-007D-004  
14" W\* X 34" H X 10" D

ONLY AVAILABLE  
IN ELECTRIC

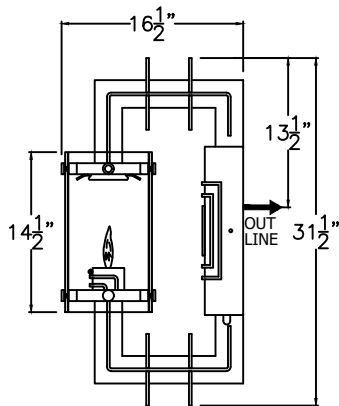
\* ACTUAL DIMENSIONS MAY VARY UP TO 1/2"

CUSTOM DRAWING CHANGES

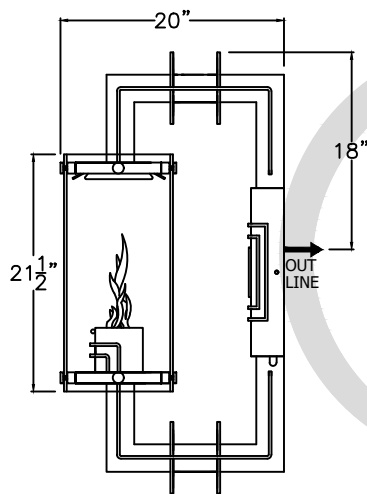
© 2021 SOLARA ENCHAINMENT  
UNAUTHORIZED USE OF THIS  
PLAN IS IN VIOLATION OF THE  
U.S. COPYRIGHT ACT TITLE 17  
OF THE U.S. CODE.



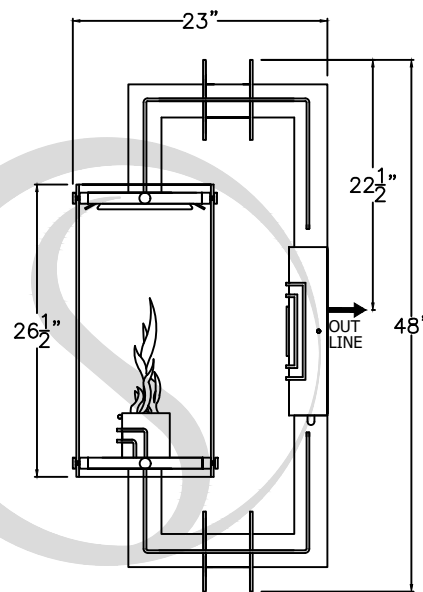
DESIGN:	MAYA II
LINE:	FLUSH SCONCE
FILE:	MOD-B-007D-00SET-EL-S100-V1
DATE REV :	19/8/2021
DRAWN BY :	ADGS



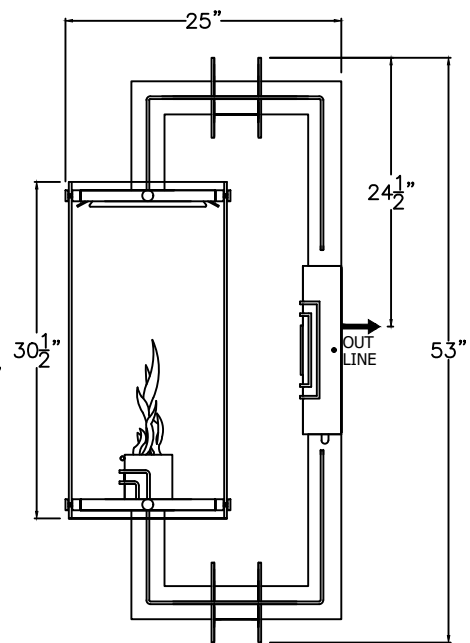
SMALL  
B-007D-011  
8 1/2" W\* X 31 1/2" H X 16 1/2" D



MEDIUM  
B-007D-012  
10 1/2" W\* X 40" H X 20" D



LARGE  
B-007D-013  
12 1/2" W\* X 48" H X 23" D



X-LARGE  
B-007D-014  
14" W\* X 53" H X 25" D

AVAILABLE IN  
GAS & ELECTRIC  
WITH EXCEPTION  
OF SMALL SIZE

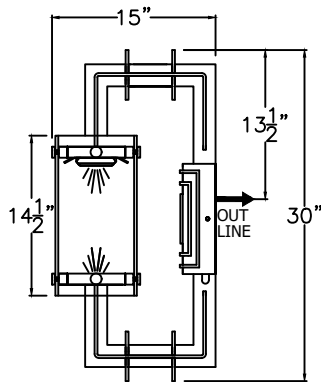
\* ACTUAL DIMENSIONS MAY VARY UP TO 1/2"

CUSTOM DRAWING CHANGES

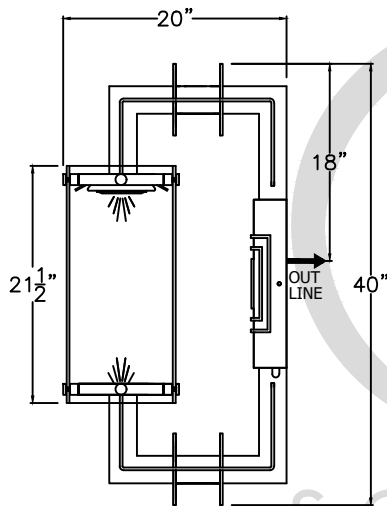
© 2021 SOLARA ENCHAINMENT  
UNAUTHORIZED USE OF THIS  
PLAN IS IN VIOLATION OF THE  
U.S. COPYRIGHT ACT TITLE 17  
OF THE U.S. CODE.



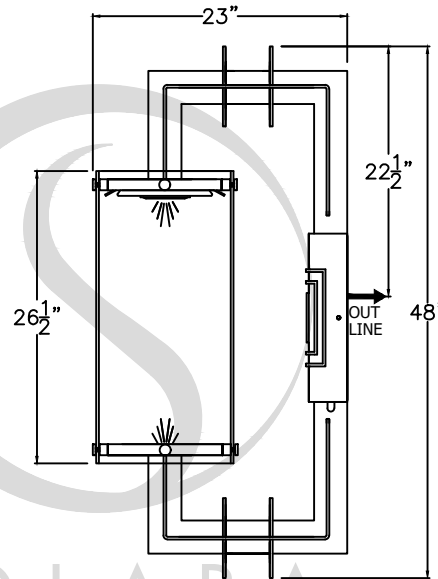
DESIGN:	MAYA II
LINE:	WALL MOUNT
FILE:	MOD-B-007D-01SET-EG-S100-V1
DATE REV :	19/8/2021
DRAWN BY :	ADGS



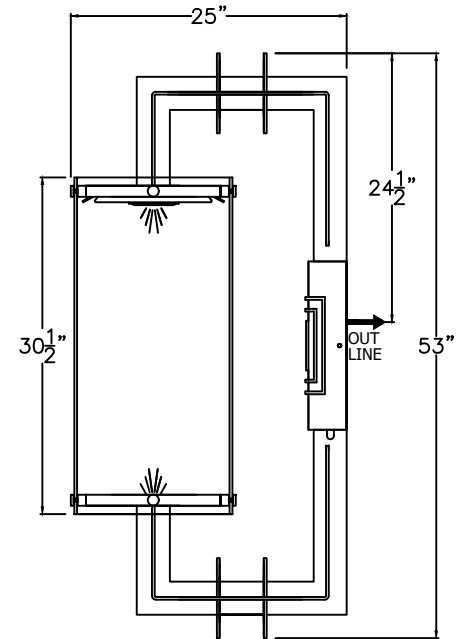
SMALL  
B-007D-011  
8 1/2" W\* X 30" H X 15" D



MEDIUM  
B-007D-012  
10 1/2" W\* X 40" H X 20" D



LARGE  
B-007D-013  
12 1/2" W\* X 48" H X 23" D



X-LARGE  
B-007D-014  
14" W\* X 53" H X 25" D

AVAILABLE IN  
GAS & ELECTRIC  
WITH EXCEPTION  
OF SMALL SIZE

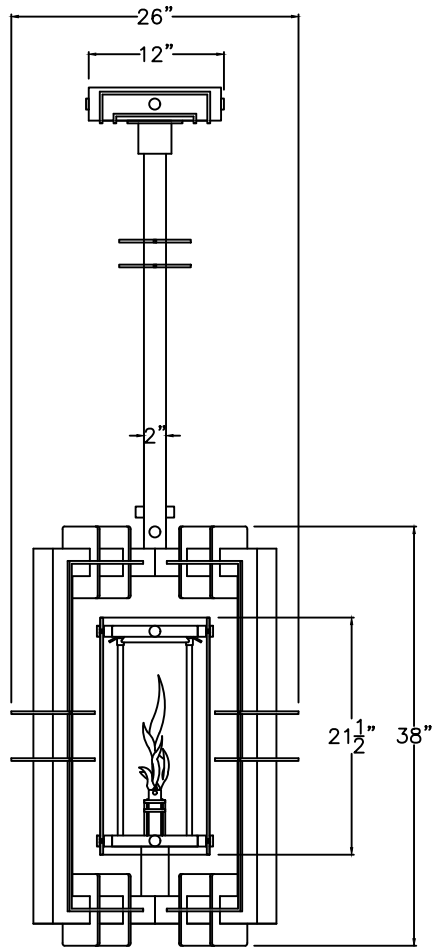
\* ACTUAL DIMENSIONS MAY VARY UP TO 1/2"

CUSTOM DRAWING CHANGES

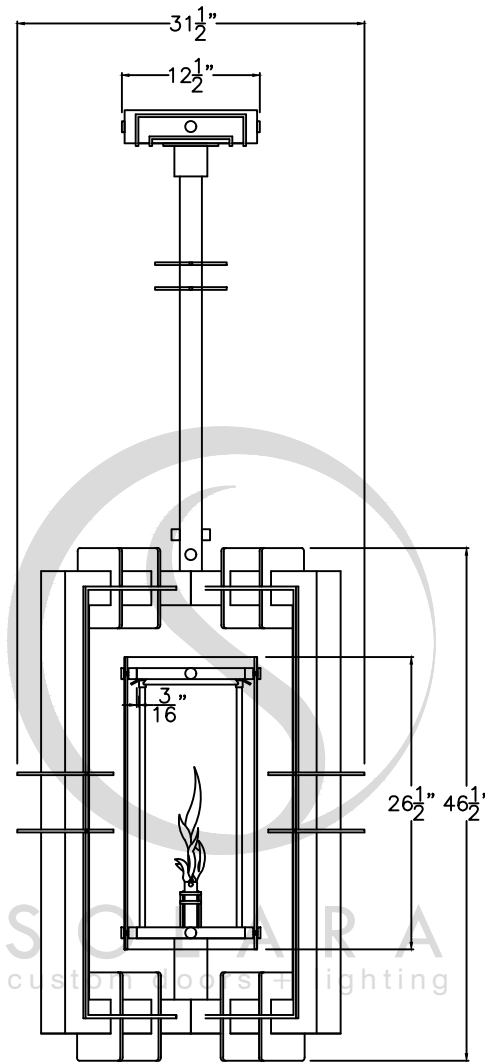
© 2021 SOLARA ENCHAINMENT  
UNAUTHORIZED USE OF THIS  
PLAN IS IN VIOLATION OF THE  
U.S. COPYRIGHT ACT TITLE 17  
OF THE U.S. CODE.



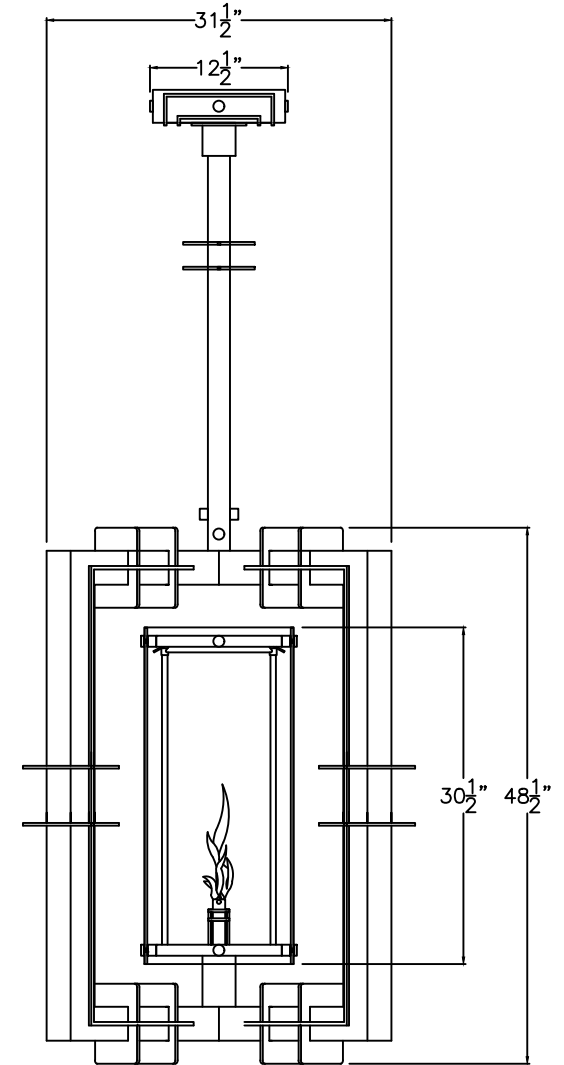
DESIGN:	MAYA II
LINE:	WALL MOUNT
FILE:	MOD-B-007D-01SET-EL-S100-V1
DATE REV :	19/8/2021
DRAWN BY :	ADGS



MEDIUM  
B-007D-03A2  
26" W X 38" H



LARGE  
B-007D-03A3  
31 1/2" W X 46 1/2" H



X-LARGE  
B-007D-03A4  
31 1/2" W X 48 1/2" H

AVAILABLE IN  
GAS & ELECTRIC  
WITH EXCEPTION  
OF SMALL SIZE

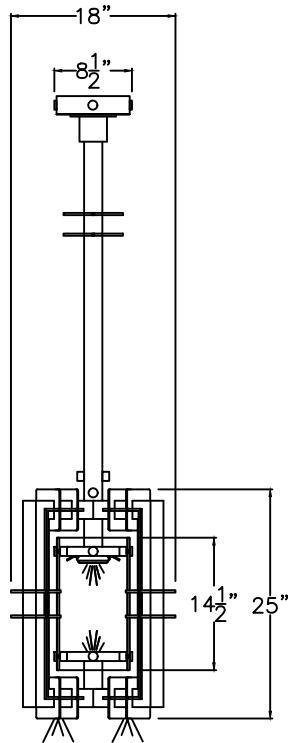
\* ACTUAL DIMENSIONS MAY VARY UP TO 1/2"

CUSTOM DRAWING CHANGES

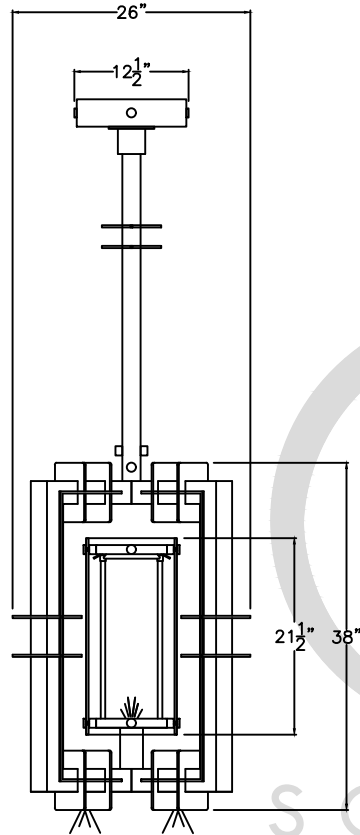
© 2021 SOLARA ENCHAINMENT  
UNAUTHORIZED USE OF THIS  
PLAN IS IN VIOLATION OF THE  
U.S. COPYRIGHT ACT TITLE 17  
OF THE U.S. CODE.



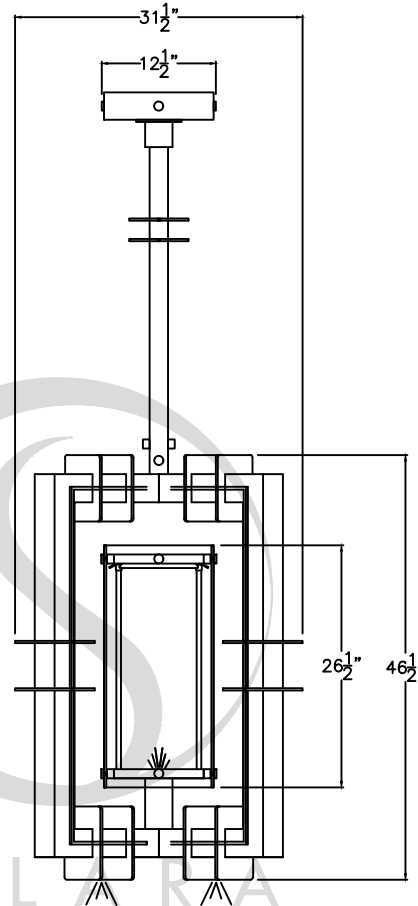
DESIGN:	MAYA II
LINE:	PENDANT STEM
FILE:	MOD-B-007D-03SET-EG-S100-V1
DATE REV :	19/8/2021
DRAWN BY :	ADGS



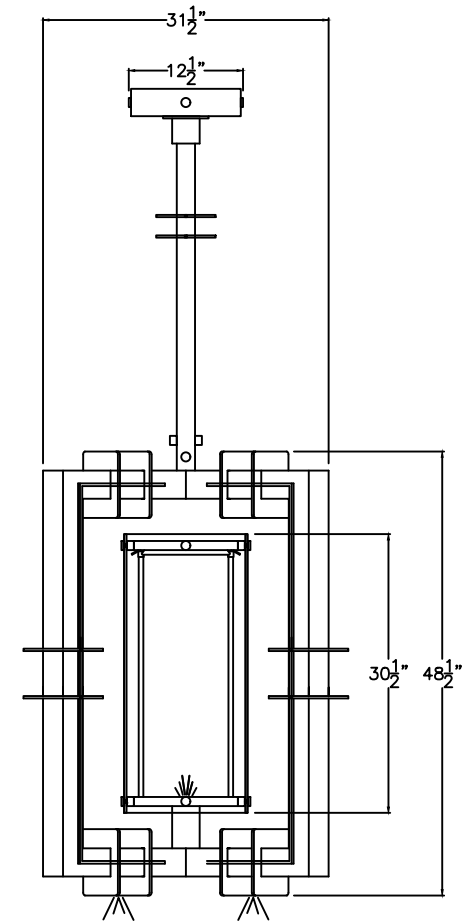
SMALL  
B-007-04A1  
18" W X 25" H



MEDIUM  
B-007-03A2  
26" W X 38" H



LARGE  
B-007-03A3  
31 1/2" W X 46 1/2" H



X-LARGE  
B-007-03A4  
31 1/2" W X 48 1/2" H

AVAILABLE IN  
GAS & ELECTRIC  
WITH EXCEPTION  
OF SMALL SIZE

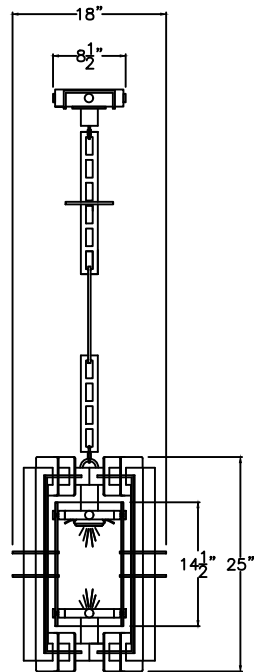
\* ACTUAL DIMENSIONS MAY VARY UP TO 1/2"

CUSTOM DRAWING CHANGES

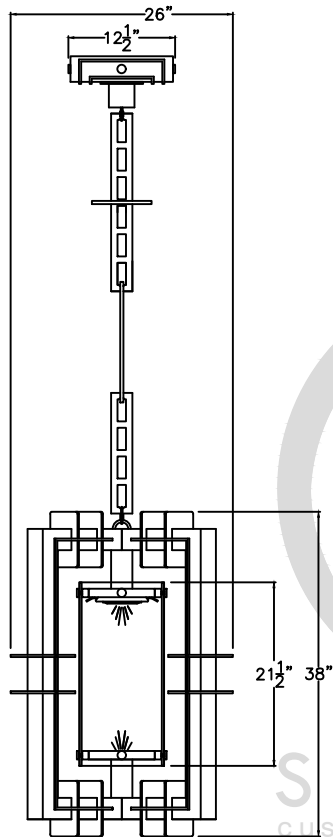
© 2021 SOLARA ENCHAINMENT  
UNAUTHORIZED USE OF THIS  
PLAN IS IN VIOLATION OF THE  
U.S. COPYRIGHT ACT TITLE 17  
OF THE U.S. CODE.



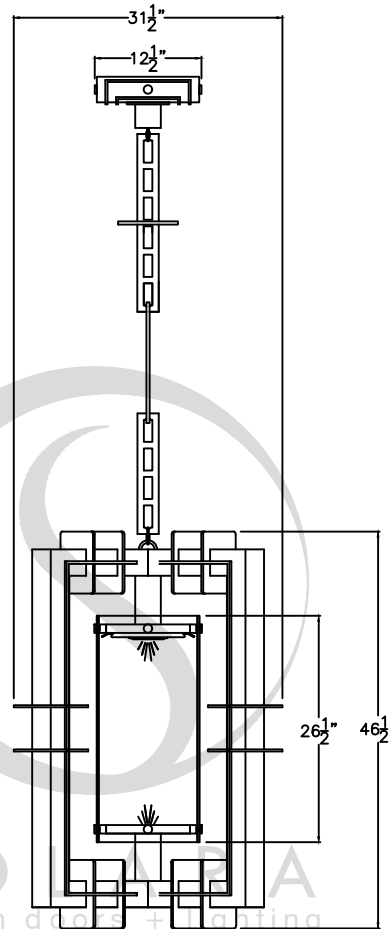
DESIGN:	MAYA II
LINE:	PENDANT STEM
FILE:	MOD-B-007D-03SET-EL-S100-V1
DATE REV :	19/8/2021
DRAWN BY :	ADGS



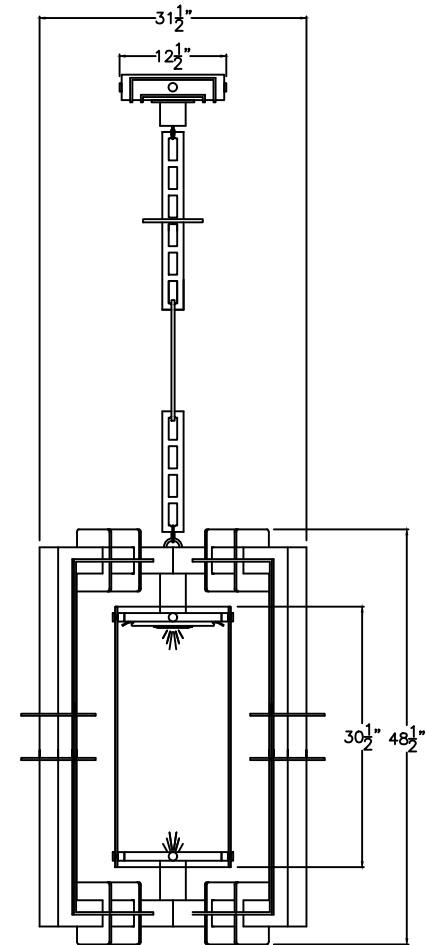
SMALL  
B-007D-04A1  
18" W X 25" H



MEDIUM  
B-007D-04A2  
26" W X 38" H



LARGE  
B-007D-04A3  
31 1/2" W X 46 1/2" H



X-LARGE  
B-007D-04A4  
31 1/2" W X 48 1/2" H

ONLY AVAILABLE  
IN ELECTRIC

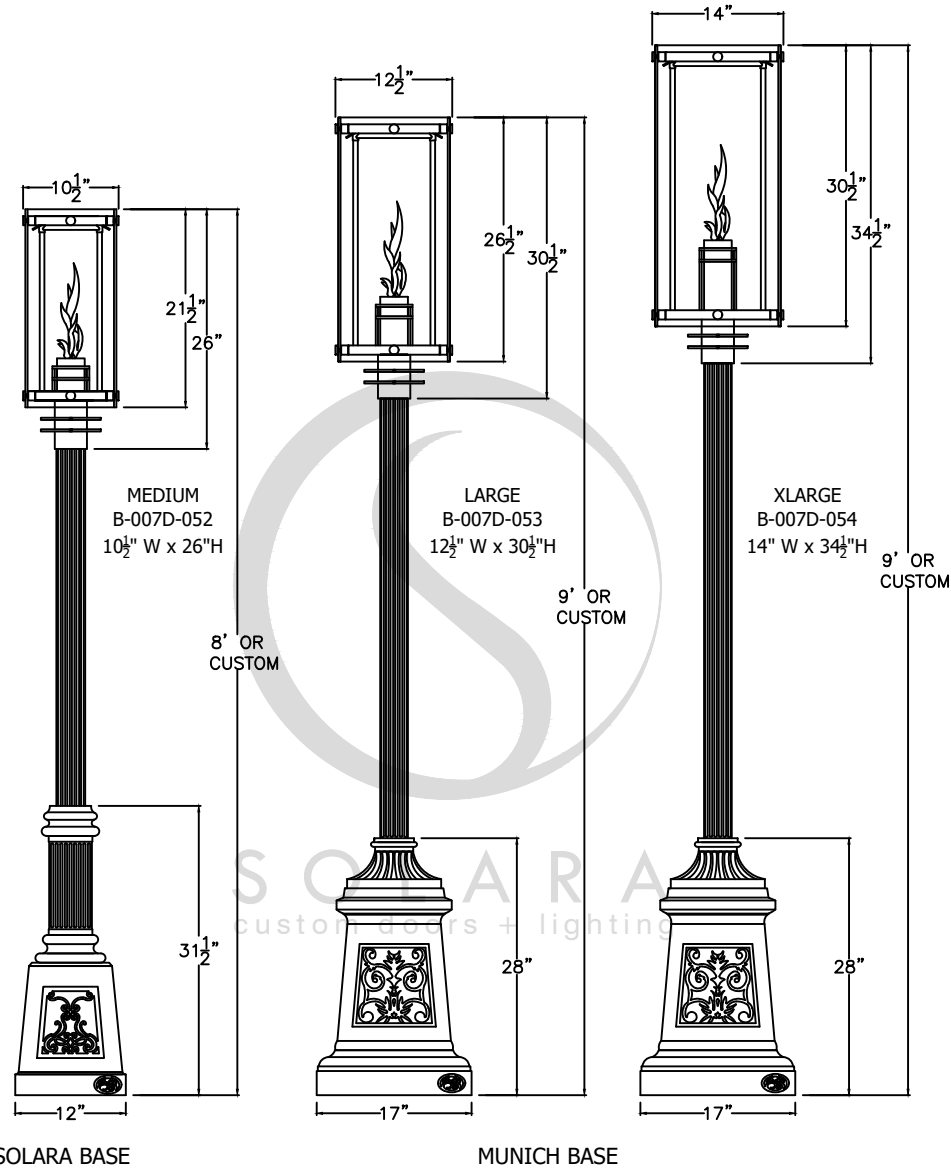
\* ACTUAL DIMENSIONS MAY VARY UP TO 1/2"

CUSTOM DRAWING CHANGES

© 2021 SOLARA ENCHAINMENT  
UNAUTHORIZED USE OF THIS  
PLAN IS IN VIOLATION OF THE  
U.S. COPYRIGHT ACT TITLE 17  
OF THE U.S. CODE.



DESIGN:	MAYA II
LINE:	PENDANT CHAIN
FILE:	MOD-B-007D-04SET-EL-S100-V1
DATE REV :	19/8/2021
DRAWN BY :	ADGS



AVAILABLE IN  
GAS & ELECTRIC  
WITH EXCEPTION  
OF SMALL SIZE

\* ACTUAL DIMENSIONS MAY VARY UP TO 1/2"

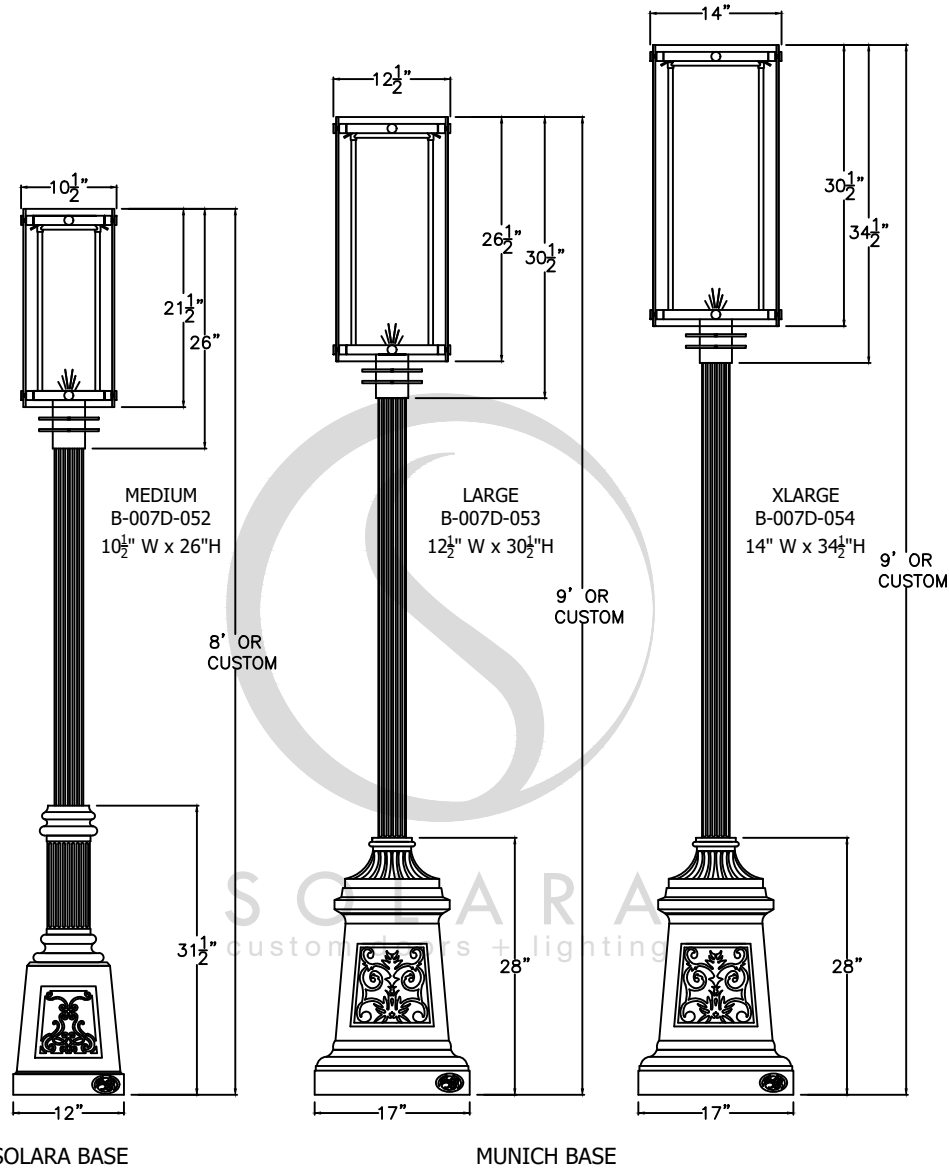
CUSTOM DRAWING CHANGES

© 2021 SOLARA ENCHAINMENT  
UNAUTHORIZED USE OF THIS  
PLAN IS IN VIOLATION OF THE  
U.S. COPYRIGHT ACT TITLE 17  
OF THE U.S. CODE.



DESIGN:	MAYA II
LINE:	POST MOUNT
FILE:	MOD-B-007D-05SET-EG-S100-V1
DATE REV :	19/8/2021
DRAWN BY :	ADGS





AVAILABLE IN  
 GAS & ELECTRIC  
 WITH EXCEPTION  
 OF SMALL SIZE

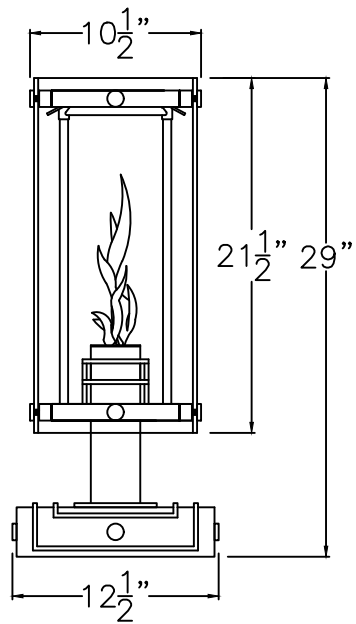
\* ACTUAL DIMENSIONS MAY VARY UP TO 1/2"

CUSTOM DRAWING CHANGES

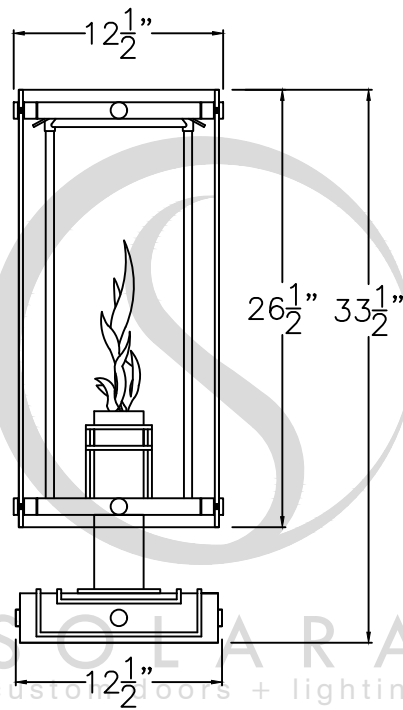
© 2021 SOLARA ENCHAINMENT  
 UNAUTHORIZED USE OF THIS  
 PLAN IS IN VIOLATION OF THE  
 U.S. COPYRIGHT ACT TITLE 17  
 OF THE U.S. CODE.



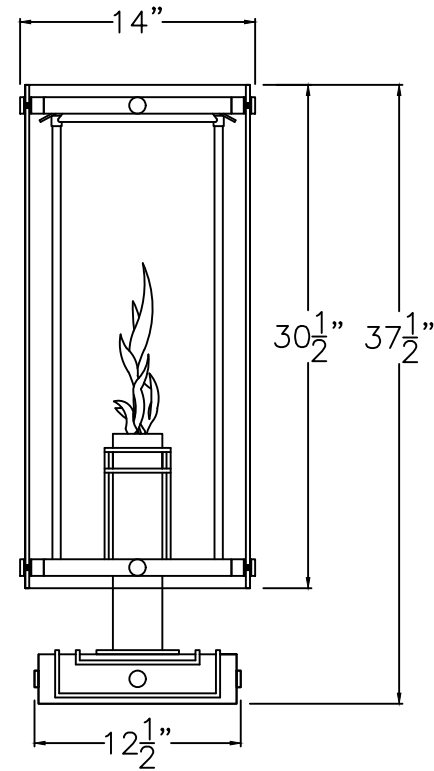
DESIGN:	MAYA II
LINE:	POST MOUNT
FILE:	MOD-B-007D-05SET-EL-S100-V1
DATE REV :	19/8/2021
DRAWN BY :	ADGS



MEDIUM  
B-007D-062  
12 1/2" W X 29" H



LARGE  
B-007D-63  
12 1/2" W X 33 1/2" H



X-LARGE  
B-007D-064  
14" W X 37 1/2" H

AVAILABLE IN  
GAS & ELECTRIC  
WITH EXCEPTION  
OF SMALL SIZE

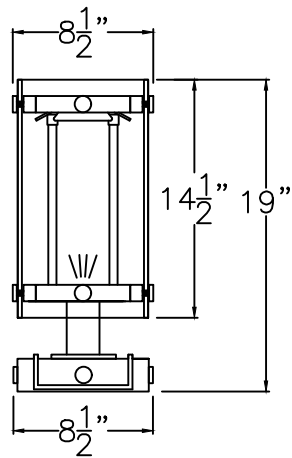
\* ACTUAL DIMENSIONS MAY VARY UP TO 1/2"

CUSTOM DRAWING CHANGES

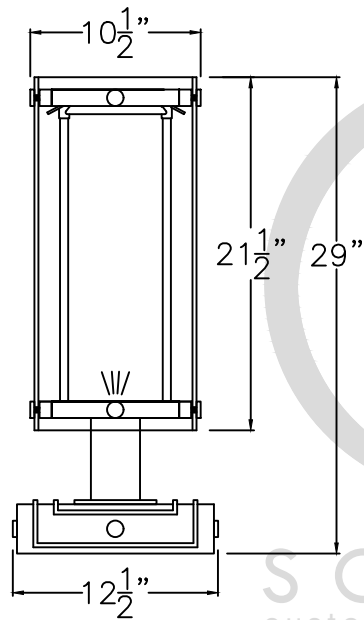
© 2021 SOLARA ENCHAINMENT  
UNAUTHORIZED USE OF THIS  
PLAN IS IN VIOLATION OF THE  
U.S. COPYRIGHT ACT TITLE 17  
OF THE U.S. CODE.



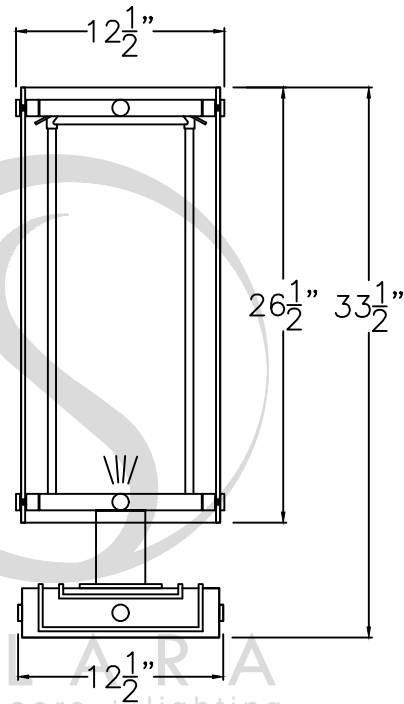
DESIGN:	MAYA II
LINE:	PIER MOUNT
FILE:	MOD-B-007D-06SET-EG-S100-V1
DATE REV :	19/8/2021
DRAWN BY :	ADGS



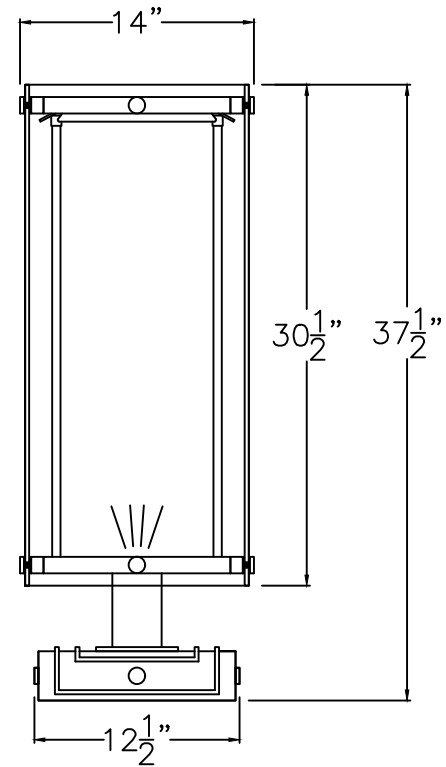
SMALL  
B-007D-061  
8 1/2" W X 19" H



MEDIUM  
B-007D-062  
12 1/2" W X 29" H



LARGE  
B-007D-63  
12 1/2" W X 33 1/2" H



X-LARGE  
B-007D-064  
14" W X 37 1/2" H

SOLARA  
custom doors + lighting

AVAILABLE IN  
GAS & ELECTRIC  
WITH EXCEPTION  
OF SMALL SIZE

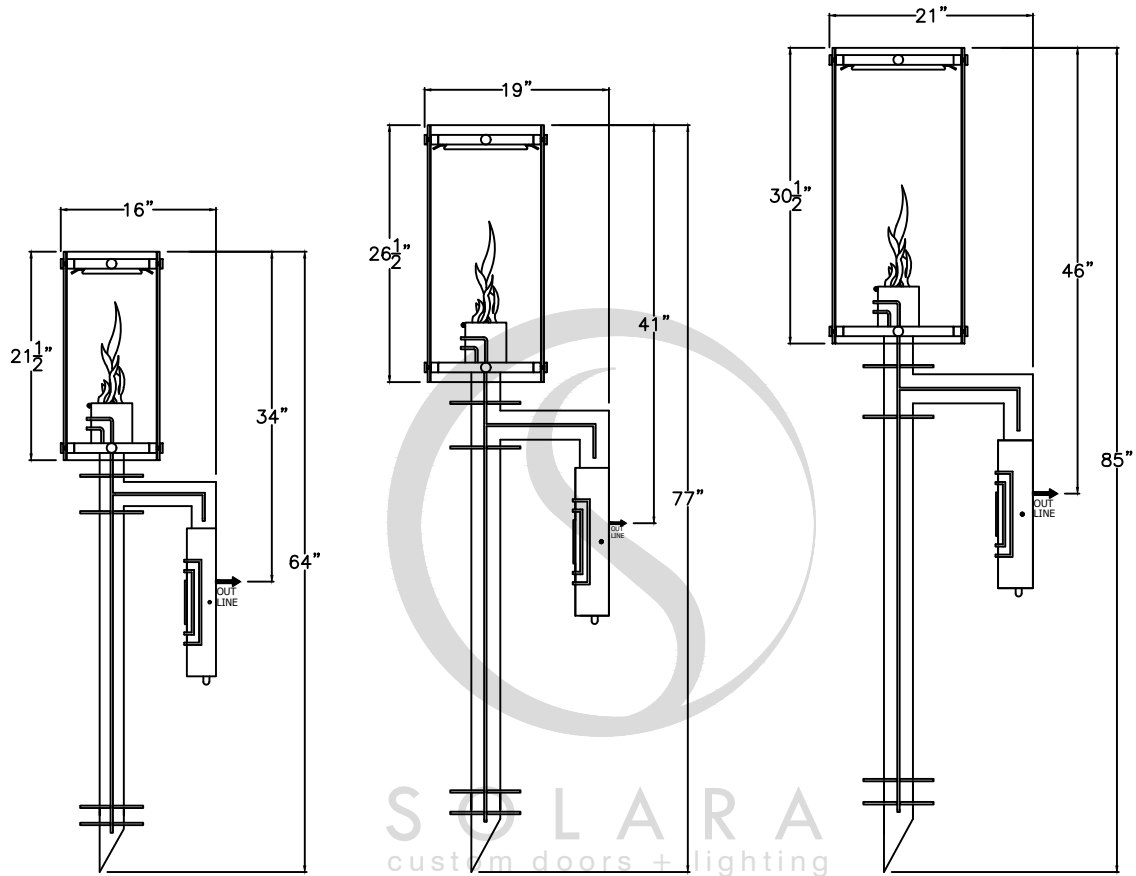
\* ACTUAL DIMENSIONS MAY VARY UP TO 1/2"

CUSTOM DRAWING CHANGES

© 2021 SOLARA ENCHAINMENT  
UNAUTHORIZED USE OF THIS  
PLAN IS IN VIOLATION OF THE  
U.S. COPYRIGHT ACT TITLE 17  
OF THE U.S. CODE.



DESIGN:	MAYA II
LINE:	PIER MOUNT
FILE:	MOD-B-007D-06SET-EL-S100-V1
DATE REV :	19/8/2021
DRAWN BY :	ADGS



**MEDIUM**  
**B-007D-082**  
 10½" W\* X 64" H X 16" D

**LARGE**  
**B-007D-083**  
 12 ½" W\* X 77" H X 19" D

**X-LARGE**  
**B-007D-084**  
 14" W\* X 85" H X 21" D

SOLARA  
 custom doors + lighting

AVAILABLE IN  
 GAS & ELECTRIC  
 WITH EXCEPTION  
 OF SMALL SIZE

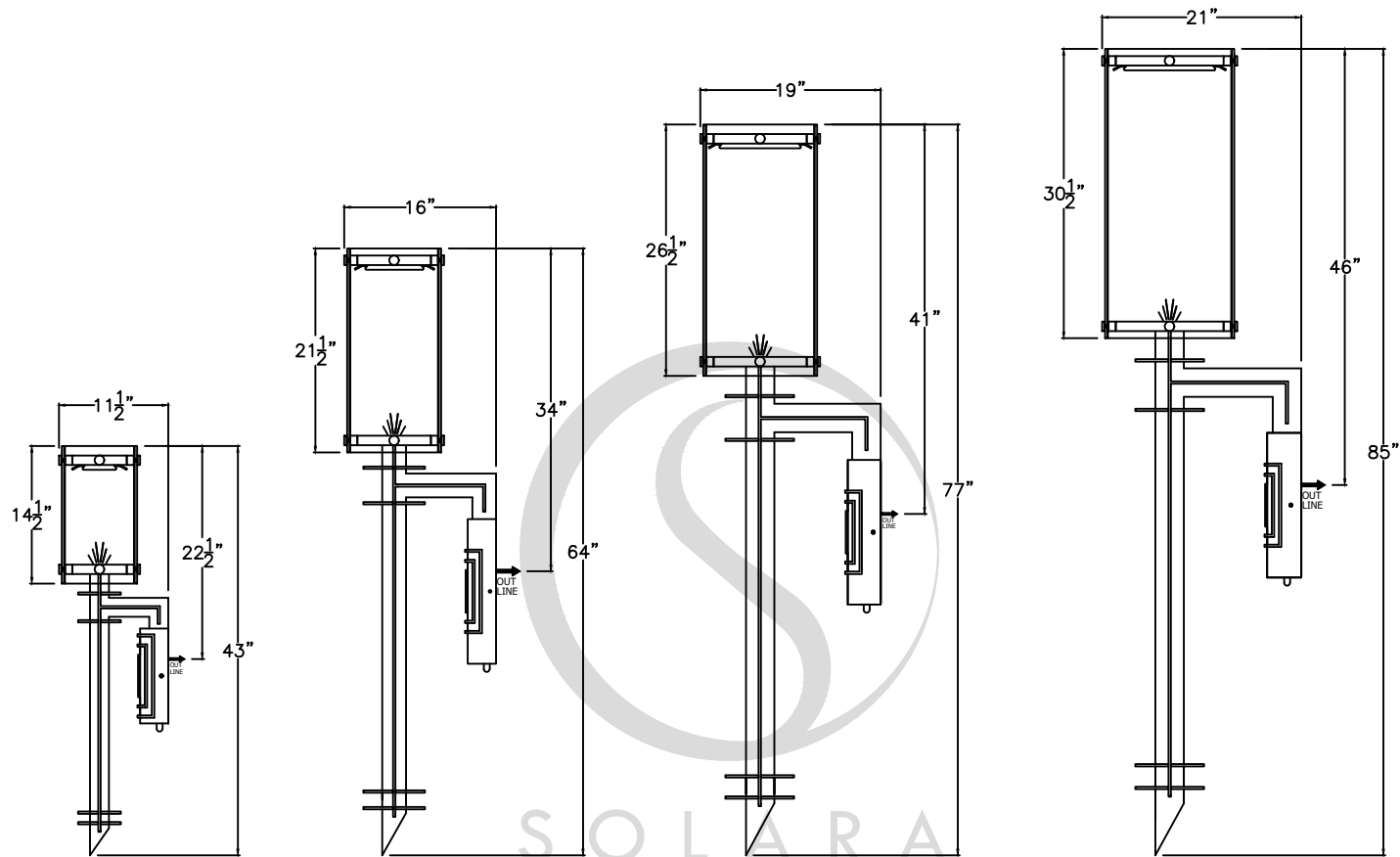
\* ACTUAL DIMENSIONS MAY VARY UP TO 1/2"

CUSTOM DRAWING CHANGES

© 2021 SOLARA ENCHAINMENT  
 UNAUTHORIZED USE OF THIS  
 PLAN IS IN VIOLATION OF THE  
 U.S. COPYRIGHT ACT TITLE 17  
 OF THE U.S. CODE.



DESIGN:	MAYA II
LINE:	TORCH WET
FILE:	MOD-B-007D-08SET-EG-S100-V1
DATE REV :	19/8/2021
DRAWN BY :	ADGS



**SMALL**  
 B-007D-081  
 8½" W\* X 43 "H X 11 ½" D

**MEDIUM**  
 B-007D-082  
 10½" W\* X 64" H X 16" D

**LARGE**  
 B-007D-083  
 12 ½" W\* X 77" H X 19" D

**X-LARGE**  
 B-007D-084  
 14" W\* X 85" H X 21" D

AVAILABLE IN  
 GAS & ELECTRIC  
 WITH EXCEPTION  
 OF SMALL SIZE

\* ACTUAL DIMENSIONS MAY VARY UP TO 1/2"

CUSTOM DRAWING CHANGES

© 2021 SOLARA ENCHAINMENT  
 UNAUTHORIZED USE OF THIS  
 PLAN IS IN VIOLATION OF THE  
 U.S. COPYRIGHT ACT TITLE 17  
 OF THE U.S. CODE.



DESIGN:	MAYA II
LINE:	TORCH WET
FILE:	MOD-B-007D-08SET-EL-S100-V1
DATE REV :	19/8/2021
DRAWN BY :	ADGS