

# SOLARA LIGHTING

2021

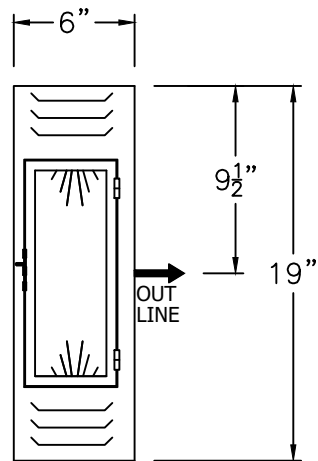
## M O M A I



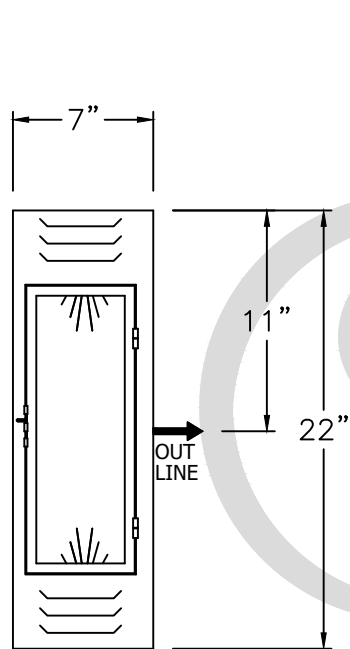
[www.solarcustomdoorsandlighting.com](http://www.solarcustomdoorsandlighting.com)

1-888-8SOLARA

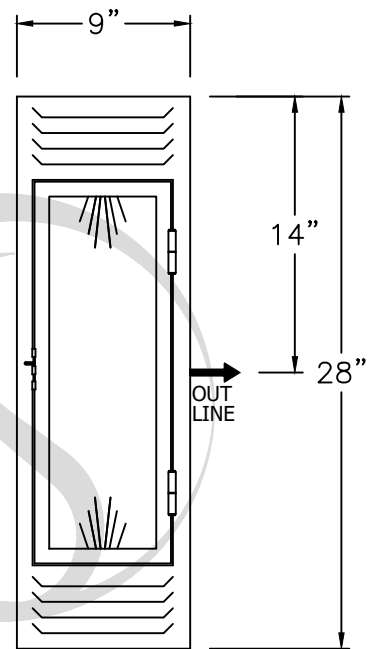
---



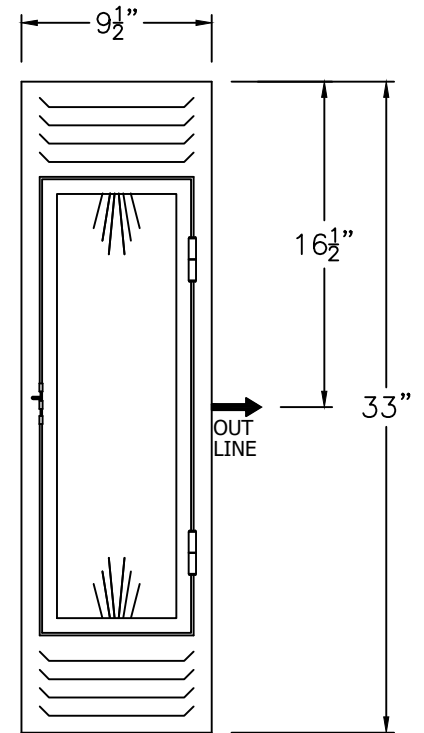
**SMALL**  
B-009-001  
8" W X 19" H X 6" D



**MEDIUM**  
B-009-002  
9 1/2" W X 22" H X 7" D



**LARGE**  
B-009-003  
12 1/2" W X 28" H X 9" D



**X-LARGE**  
B-009-004  
14 1/2" W X 33" H X 9 1/2" D

ONLY AVAILABLE  
IN ELECTRIC

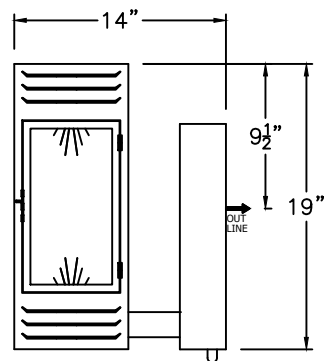
\* ACTUAL DIMENSIONS MAY VARY UP TO 1/2"

CUSTOM DRAWING CHANGES

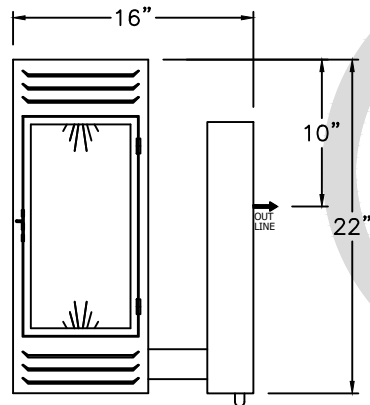
© 2021 SOLARA ENCHAINMENT  
UNAUTHORIZED USE OF THIS  
PLAN IS IN VIOLATION OF THE  
U.S. COPYRIGHT ACT TITLE 17  
OF THE U.S. CODE.



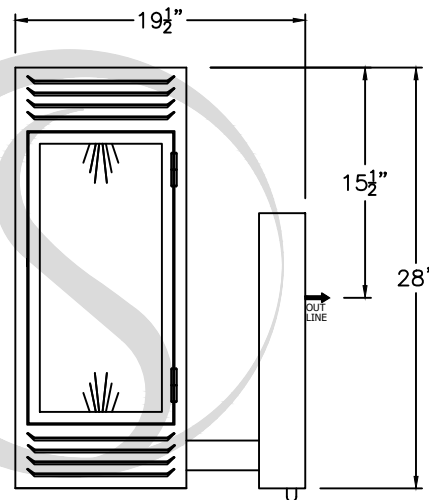
DESIGN:	MOMA I
LINE:	FLUSH SCONCE
FILE:	MOD-B-009-00SET-EL-S100-V1
DATE REV :	29/12/20
DRAWN BY :	ADGS



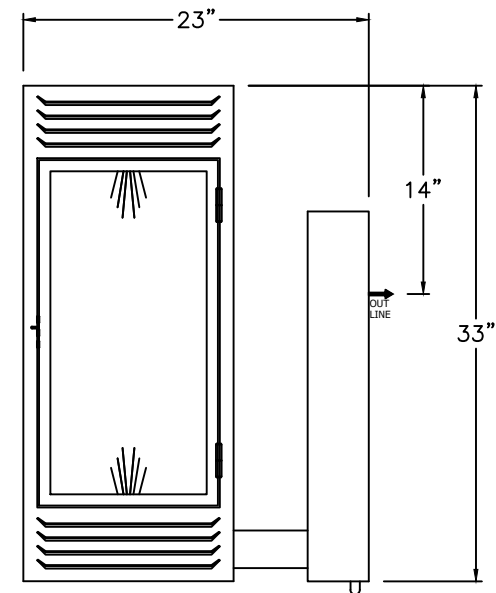
SMALL  
B-009-011  
8" W X 19" H X 14" D



MEDIUM  
B-009-012  
9 1/2" W X 22" H X 16" D



LARGE  
B-009-013  
12" W X 28" H X 19 1/2" D



X-LARGE  
B-009-014  
14 1/2" W X 33" H X 23" D

SOLARA  
custom doors + lighting

AVAILABLE IN  
GAS & ELECTRIC  
WITH EXCEPTION  
OF SMALL SIZE

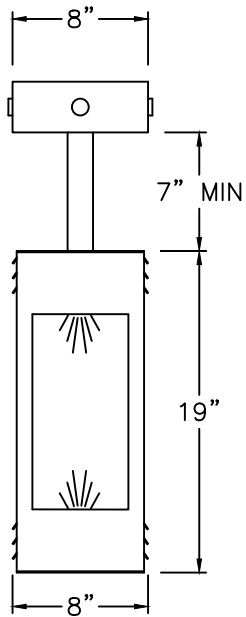
\* ACTUAL DIMENSIONS MAY VARY UP TO 1/2"

CUSTOM DRAWING CHANGES

© 2021 SOLARA ENCHAINMENT  
UNAUTHORIZED USE OF THIS  
PLAN IS IN VIOLATION OF THE  
U.S. COPYRIGHT ACT TITLE 17  
OF THE U.S. CODE.

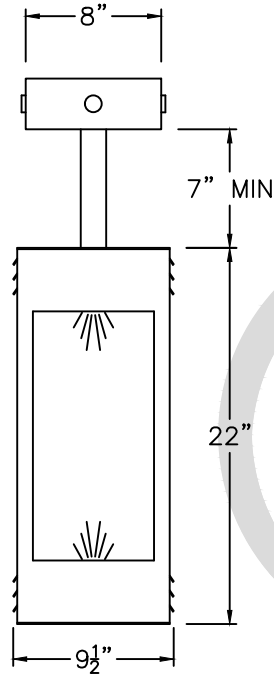


DESIGN:	MOMA I
LINE:	WALL MOUNT
FILE:	MOD-B-009-01SET-EL-S100-V4
DATE REV:	06/09/2021
DRAWN BY:	JAGP



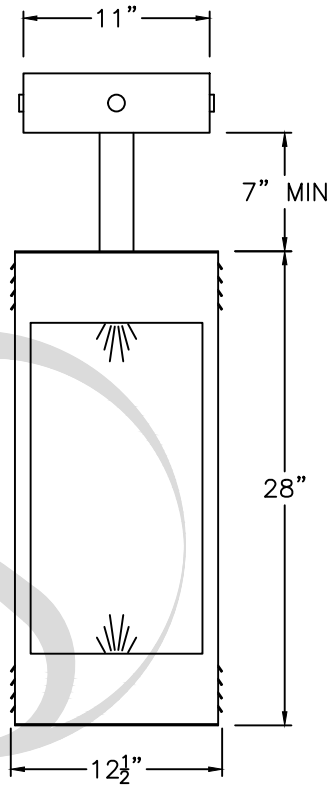
**SMALL**  
B-009-031

8" W X 19" H X 7½" D



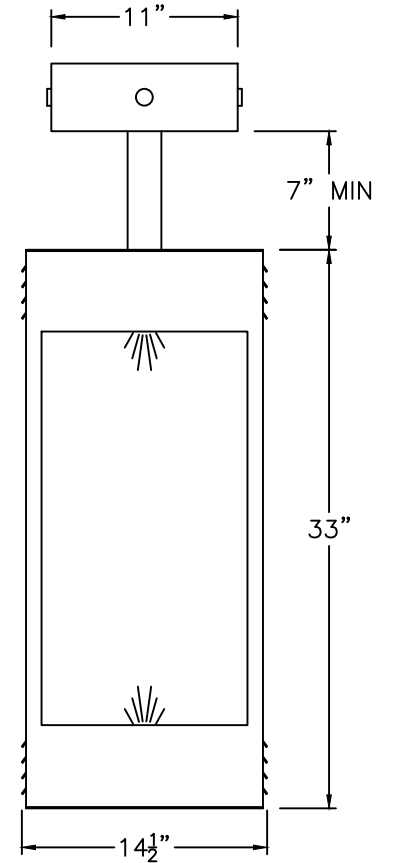
**MEDIUM**  
B-009-032

9½" W X 22" H X 9" D



**LARGE**  
B-009-033

12½" W X 28" H X 11½" D



**X-LARGE**  
B-009-034

14½" W X 33" H X 13½" D

**SOLARA**  
custom doors + lighting

ONLY AVAILABLE  
IN ELECTRIC

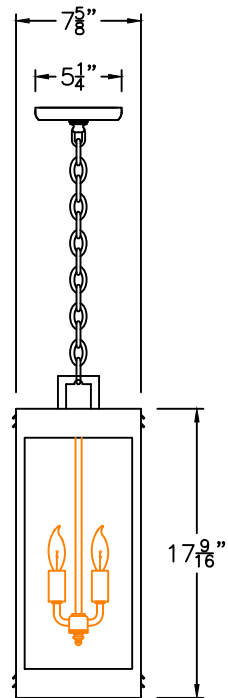
\* ACTUAL DIMENSIONS MAY VARY UP TO 1/2"

CUSTOM DRAWING CHANGES

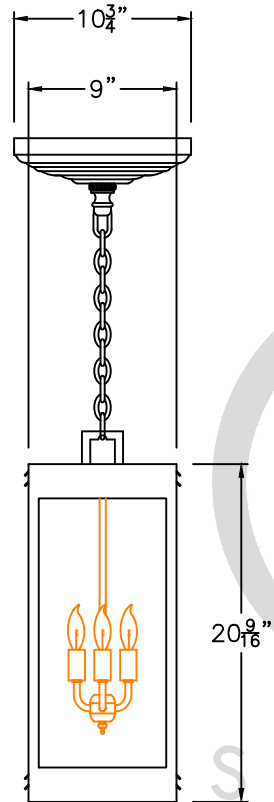
© 2021 SOLARA ENCHAINMENT  
UNAUTHORIZED USE OF THIS  
PLAN IS IN VIOLATION OF THE  
U.S. COPYRIGHT ACT TITLE 17  
OF THE U.S. CODE.



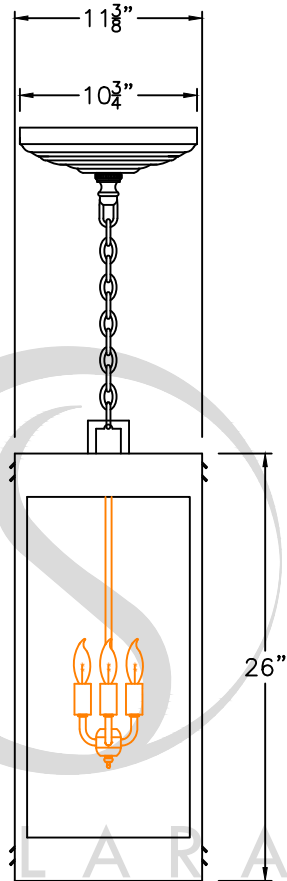
DESIGN:	MOMA I
LINE:	PENDANT STEM
FILE:	MOD-B-009-03SET-EL-S100-V1
DATE REV :	29/12/20
DRAWN BY :	ADGS



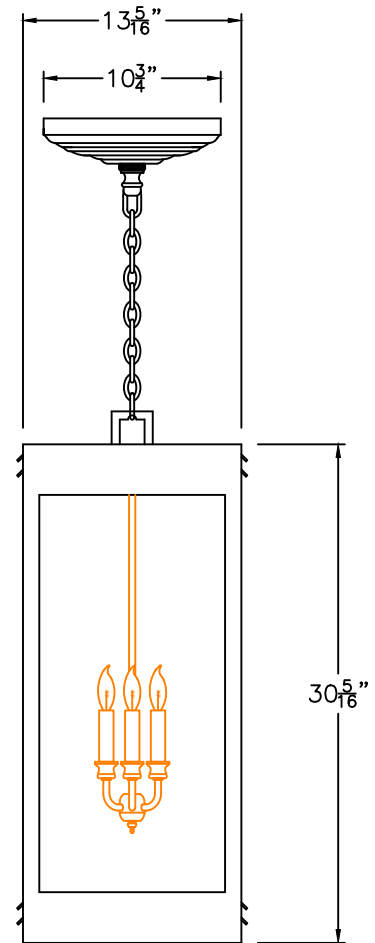
**SMALL**  
**B-009-041**  
 8" W X 19" H



**MEDIUM**  
**B-009-042**  
 9 1/2" W X 22" H



**LARGE**  
**B-009-043**  
 12" W X 28" H



**X-LARGE**  
**B-009-044**  
 14" W X 33" H

ONLY AVAILABLE  
 IN ELECTRIC

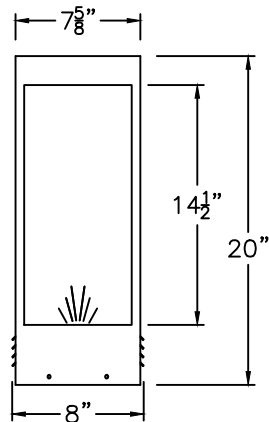
\* ACTUAL DIMENSIONS MAY VARY UP TO 1/2"

CUSTOM DRAWING CHANGES

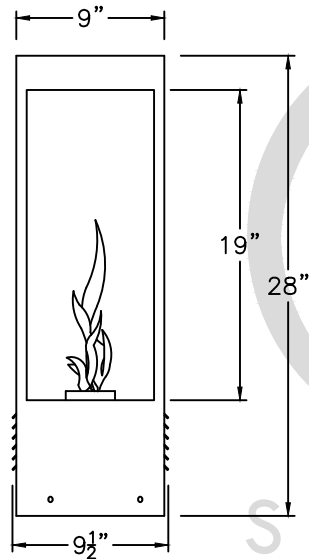
© 2021 SOLARA ENCHAINMENT  
 UNAUTHORIZED USE OF THIS  
 PLAN IS IN VIOLATION OF THE  
 U.S. COPYRIGHT ACT TITLE 17  
 OF THE U.S. CODE.



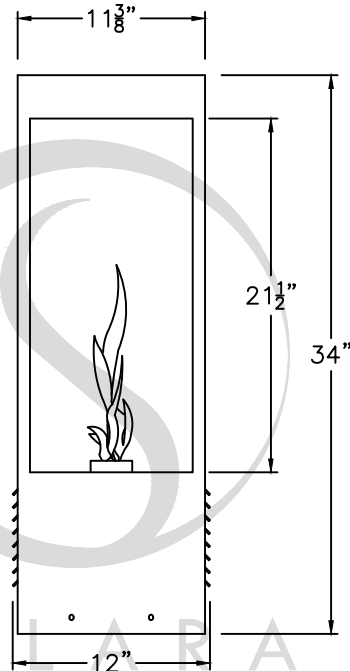
DESIGN:	MOMA
LINE:	PENDANT CHAIN
FILE:	MOD-B-009-04SET-EL-S100-V4
DATE REV:	06/09/2021
DRAWN BY:	IAVS



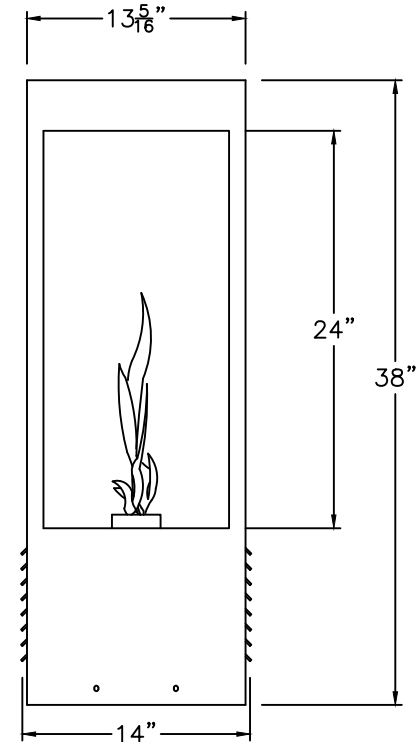
SMALL  
B-009-061  
8" W X 20" H



MEDIUM  
B-009-062  
9 1/2" W X 28" H



LARGE  
B-009-063  
12" W X 34" H



X-LARGE  
B-009-064  
14" W X 38" H

AVAILABLE IN  
GAS & ELECTRIC  
WITH EXCEPTION  
OF SMALL SIZE

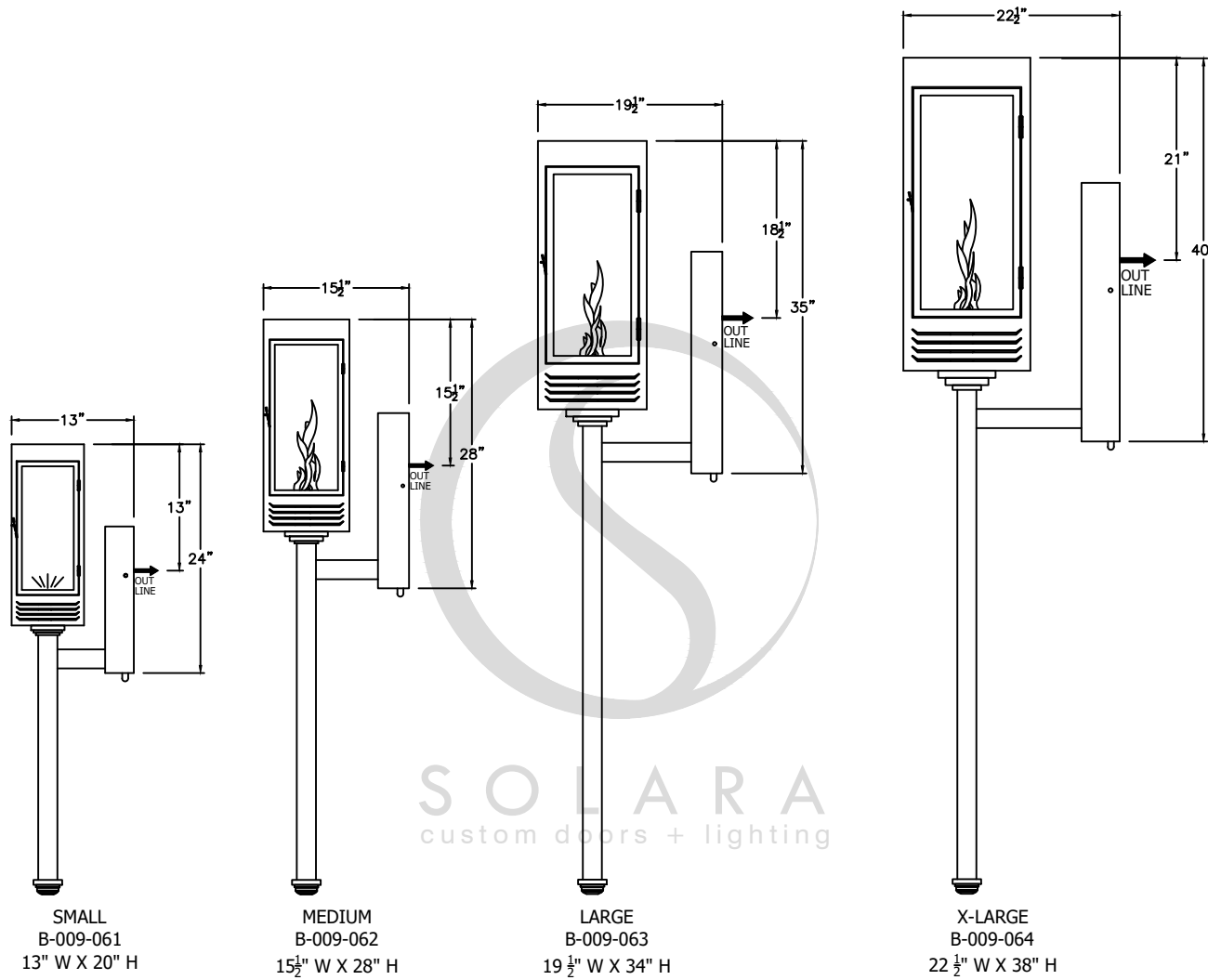
\* ACTUAL DIMENSIONS MAY VARY UP TO 1/2"

CUSTOM DRAWING CHANGES

© 2021 SOLARA ENCHAINMENT  
UNAUTHORIZED USE OF THIS  
PLAN IS IN VIOLATION OF THE  
U.S. COPYRIGHT ACT TITLE 17  
OF THE U.S. CODE.



DESIGN:	MOMA
LINE:	PIER MOUNT
FILE:	MOD-B-009-06SET-EG-S100-V4
DATE REV :	06/09/2021
DRAWN BY :	IAMS



AVAILABLE IN  
GAS & ELECTRIC  
WITH EXCEPTION  
OF SMALL SIZE

\* ACTUAL DIMENSIONS MAY VARY UP TO 1/2"

CUSTOM DRAWING CHANGES

© 2021 SOLARA ENCHAINMENT  
UNAUTHORIZED USE OF THIS  
PLAN IS IN VIOLATION OF THE  
U.S. COPYRIGHT ACT TITLE 17  
OF THE U.S. CODE.



DESIGN:	MOMA
LINE:	TORCH WET
FILE:	MOD-B-009-08SET-EG-S100-V4
DATE REV:	06/09/2021
DRAWN BY:	IAMS