

SOLARA LIGHTING

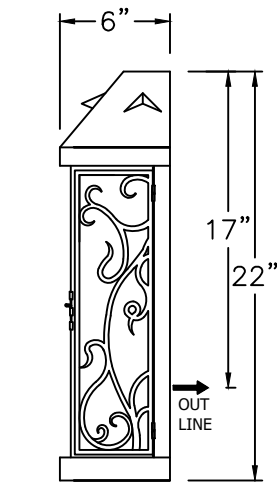
2021

QUADRILLE CAST

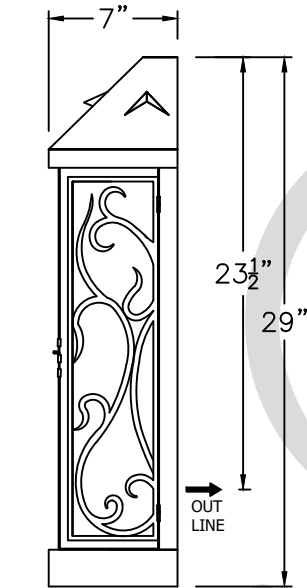


www.solarcustomdoorsandlighting.com

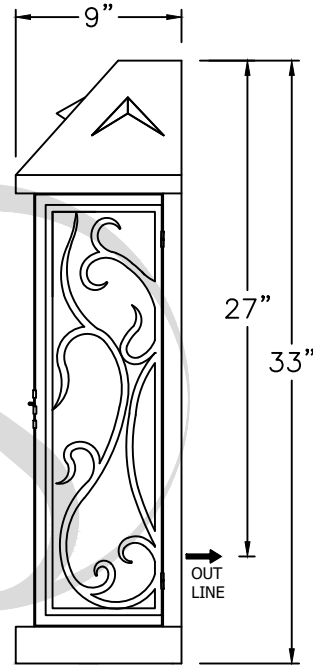
1-888-8SOLARA



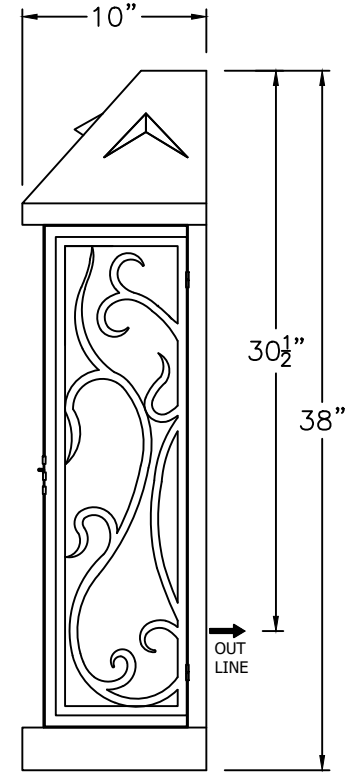
SMALL
C-008C-001
9" W x 22" H x 6" D



MEDIUM
C-008C-002
12" W x 29" H x 7" D



LARGE
C-008C-003
15" W x 33" H x 9" D



EXTRA LARGE
C-008C-004
17 1/2" W x 38" H x 10" D

ONLY AVAILABLE
IN ELECTRIC

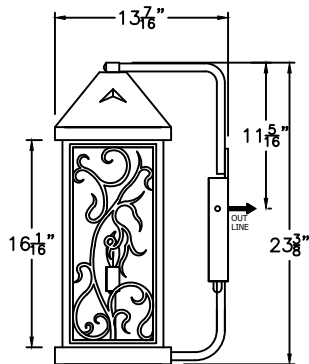
* ACTUAL DIMENSIONS MAY VARY UP TO 1/2"

CUSTOM DRAWING CHANGES

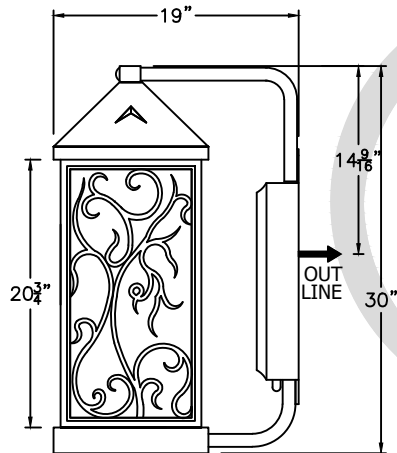
© 2021 SOLARA ENCHAINMENT
UNAUTHORIZED USE OF THIS
PLAN IS IN VIOLATION OF THE
U.S. COPYRIGHT ACT TITLE 17
OF THE U.S. CODE.



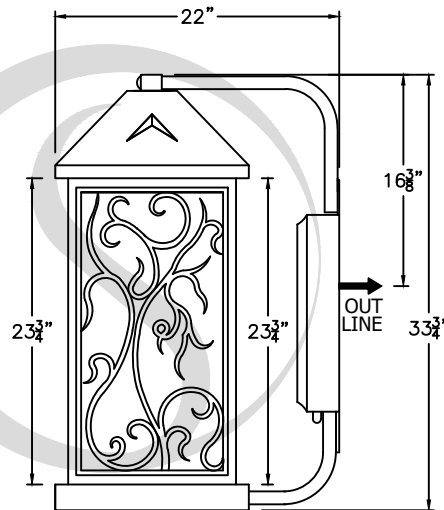
DESIGN:	QUADRILLE CAST
LINE:	FLUSH SCONCE
FILE:	MOD-C-008-00SET-EL-S100-V4
DATE REV:	31/08/2021
DRAWN BY:	IAMS



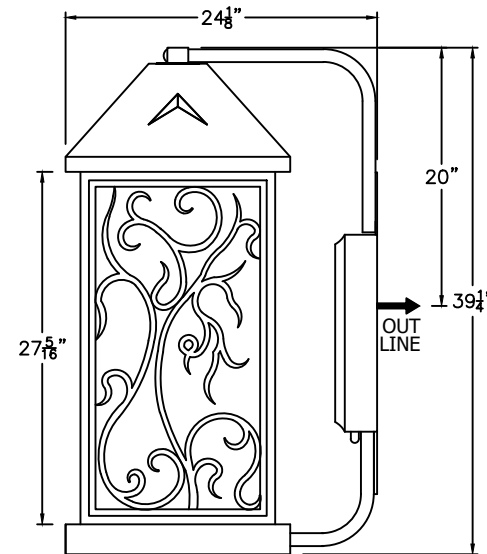
SMALL
C-008C-011
9" W x 23 1/2" H x 13 1/2" D



MEDIUM
C-008C-012
12" W x 30" H x 19" D



LARGE
C-008C-013
15" W x 34" H x 22" D



EXTRA LARGE
C-008C-014
17 1/2" W x 39 1/2" H x 24" D

AVAILABLE IN
GAS & ELECTRIC
WITH EXCEPTION
OF SMALL SIZE

* ACTUAL DIMENSIONS MAY VARY UP TO 1/2"

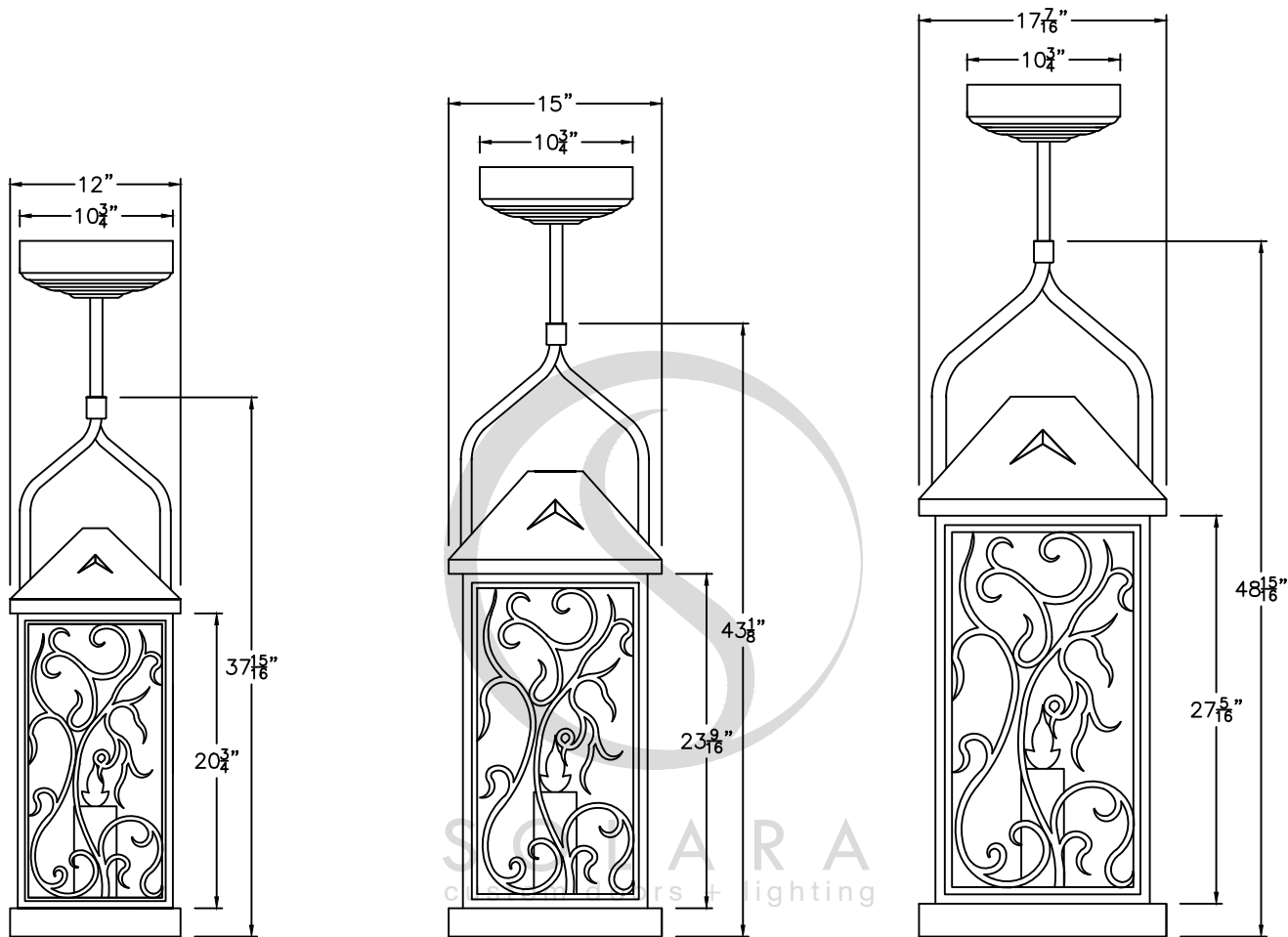
CIN NQMRDF

CUSTOM DRAWING CHANGES

© 2021 SOLARA ENCHAINMENT
UNAUTHORIZED USE OF THIS
PLAN IS IN VIOLATION OF THE
U.S. COPYRIGHT ACT TITLE 17
OF THE U.S. CODE.



DESIGN:	QUADRILLE CAST
LINE:	WALL MOUNT
FILE:	MOD-C-008-01SET-EL-S100-V2
DATE REV:	31/08/2021
DRAWN BY:	IAVS



MEDIUM
C-008C-032
12" W x 38" H

LARGE
C-008C-033
15" W x 43" H

EXTRA LARGE
C-008C-034
17 1/2" W x 49" H

AVAILABLE IN
GAS & ELECTRIC
WITH EXCEPTION
OF SMALL SIZE

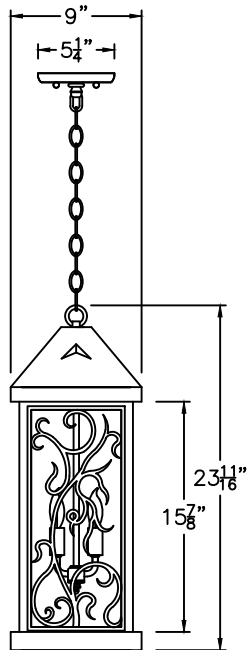
* ACTUAL DIMENSIONS MAY VARY UP TO 1/2"

CUSTOM DRAWING CHANGES

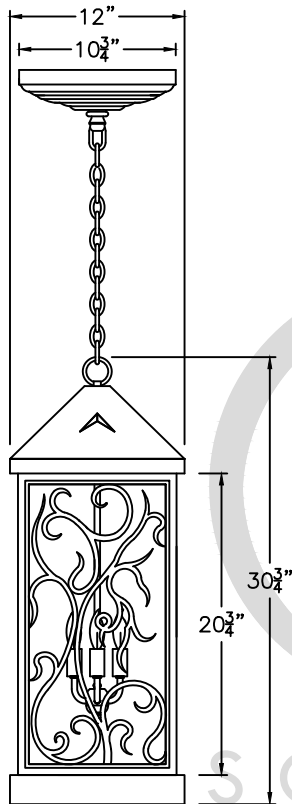
© 2021 SOLARA ENCHAINMENT
UNAUTHORIZED USE OF THIS
PLAN IS IN VIOLATION OF THE
U.S. COPYRIGHT ACT TITLE 17
OF THE U.S. CODE.



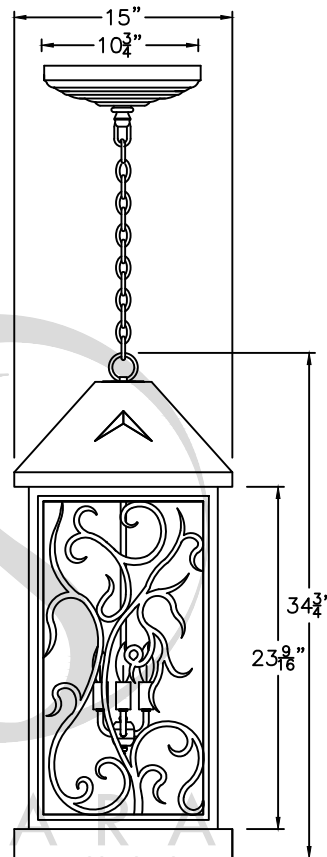
DESIGN:	QUADRILLE CAST
LINE:	PENDANT STEM
FILE:	MOD-C-008-03SET-EL-S100-V1
DATE REV :	01/09/2021 DRAWN BY : IAVS



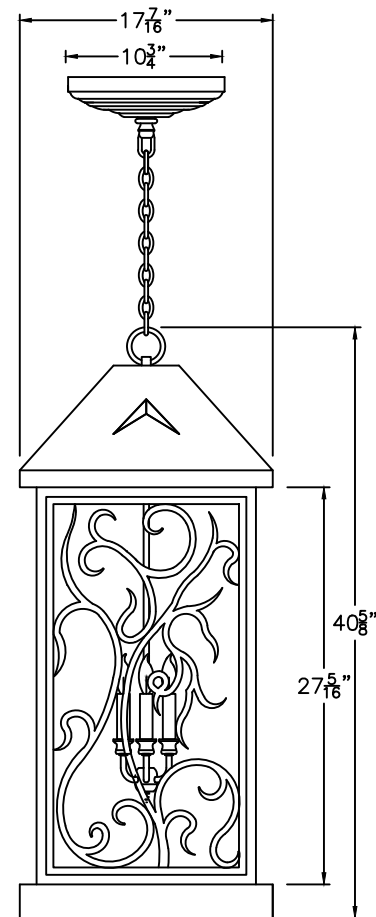
SMALL
C-008C-041
9" W x 23 1/2" H



MEDIUM
C-008C-042
12" W x 31" H



LARGE
C-008C-043
15" W x 34 1/2" H



EXTRA LARGE
C-008C-044
17 1/2" W x 40 1/2" H

AVAILABLE IN
GAS & ELECTRIC
WITH EXCEPTION
OF SMALL SIZE

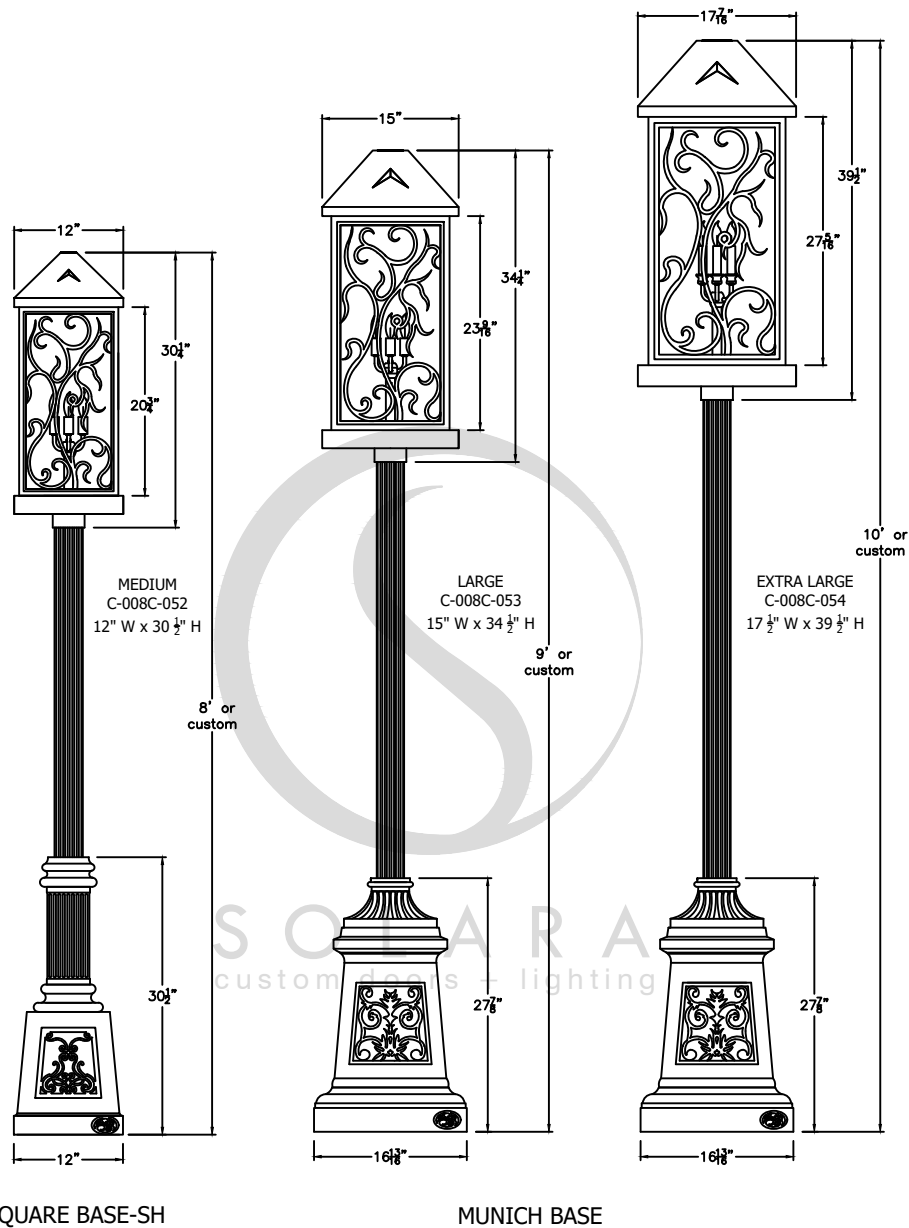
* ACTUAL DIMENSIONS MAY VARY UP TO 1/2"

CUSTOM DRAWING CHANGES

© 2021 SOLARA ENCHAINMENT
UNAUTHORIZED USE OF THIS
PLAN IS IN VIOLATION OF THE
U.S. COPYRIGHT ACT TITLE 17
OF THE U.S. CODE.



DESIGN:	QUADRILLE CAST
LINE:	PENDANT STEM
FILE:	MOD-C-008-04SET-EL-S100-V1
DATE REV:	01/09/2021
DRAWN BY:	IAMS



AVAILABLE IN
GAS & ELECTRIC
WITH EXCEPTION
OF SMALL SIZE

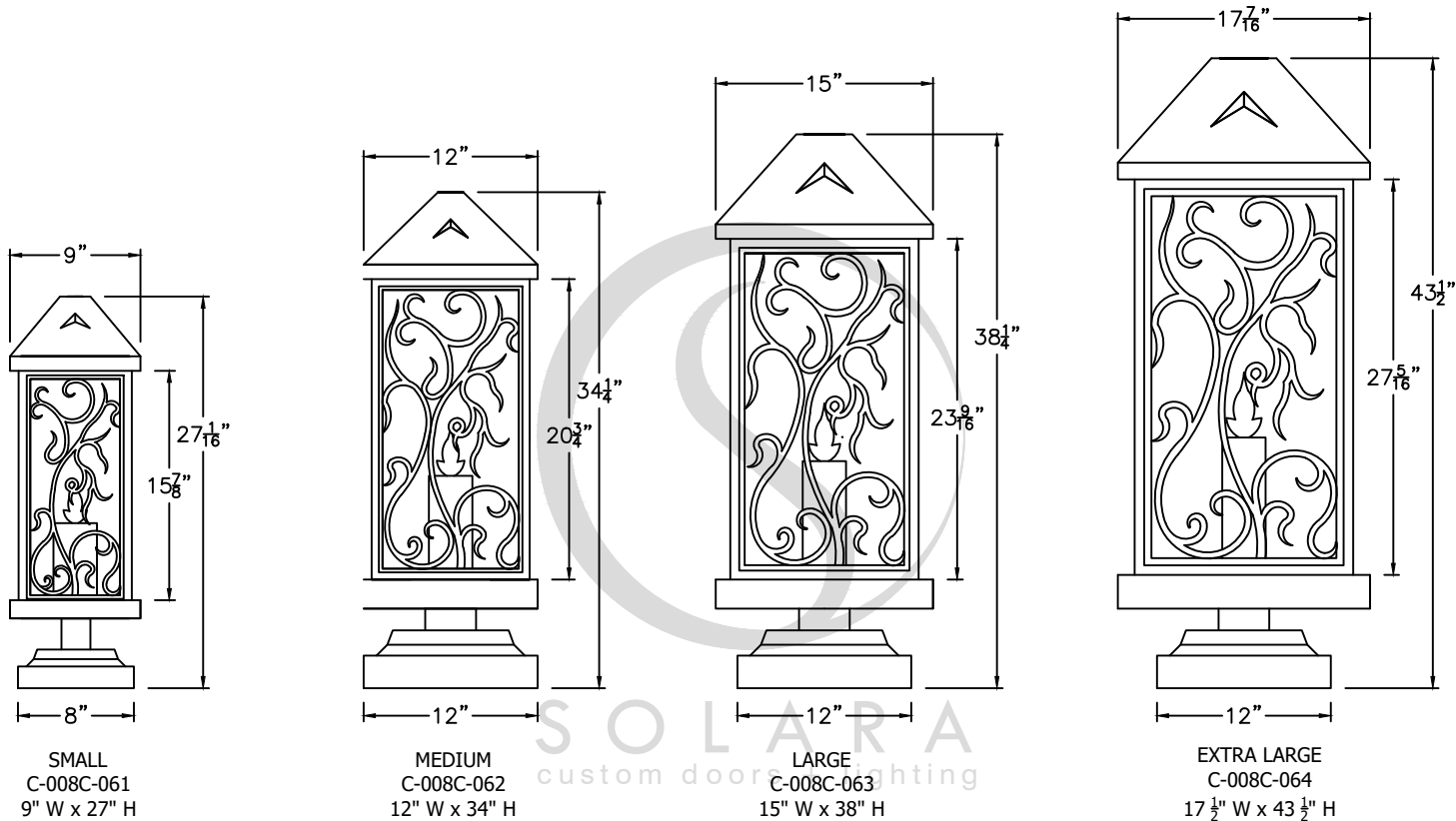
* ACTUAL DIMENSIONS MAY VARY UP TO 1/2"

CUSTOM DRAWING CHANGES

© 2021 SOLARA ENCHAINMENT
UNAUTHORIZED USE OF THIS
PLAN IS IN VIOLATION OF THE
U.S. COPYRIGHT ACT TITLE 17
OF THE U.S. CODE.



DESIGN:	QUADRILLE CAST
LINE:	POST MOUNT
FILE:	MOD-C-008-05SET-EL-S100-V1
DATE REV :	01/09/2021 DRAWN BY : IAVS



AVAILABLE IN
GAS & ELECTRIC
WITH EXCEPTION
OF SMALL SIZE

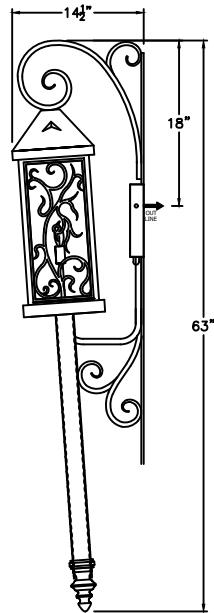
* ACTUAL DIMENSIONS MAY VARY UP TO 1/2"

CUSTOM DRAWING CHANGES

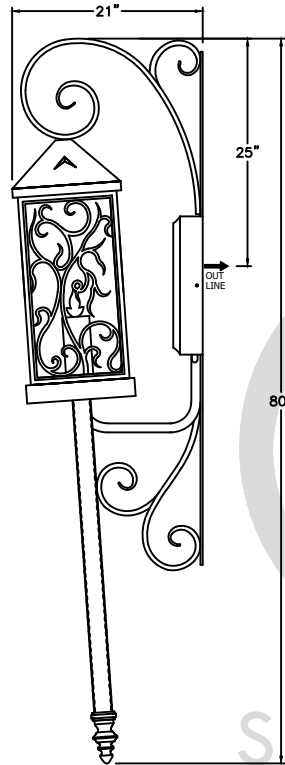
© 2021 SOLARA ENCHAINMENT
UNAUTHORIZED USE OF THIS
PLAN IS IN VIOLATION OF THE
U.S. COPYRIGHT ACT TITLE 17
OF THE U.S. CODE.



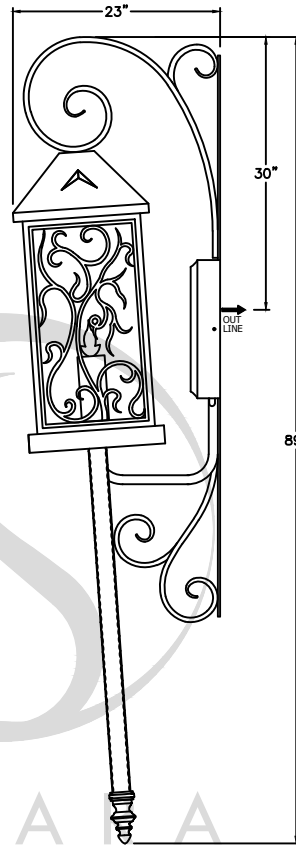
DESIGN:	QUADRILLE CAST
LINE:	PIER MOUNT
FILE:	MOD-C-008-06SET-EG-S100-V1
DATE REV :	01/09/2021 DRAWN BY : IAVS



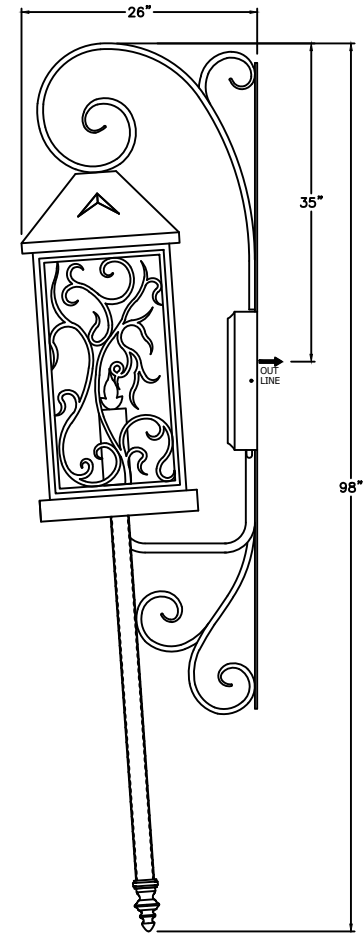
SMALL
C-008C-081
9" W X 63" H X 14 1/2" D



MEDIUM
C-008C-082
12" W X 80" H X 21" D



LARGE
C-008C-083
15" W X 89" H X 23" D



XLARGE
C-008C-084
17 1/2" W X 98" H X 26" D

AVAILABLE IN
GAS & ELECTRIC
WITH EXCEPTION
OF SMALL SIZE

* ACTUAL DIMENSIONS MAY VARY UP TO 1/2"

CUSTOM DRAWING CHANGES

© 2021 SOLARA ENCHAINMENT
UNAUTHORIZED USE OF THIS
PLAN IS IN VIOLATION OF THE
U.S. COPYRIGHT ACT TITLE 17
OF THE U.S. CODE.



DESIGN:	QUADRILLE CAST
LINE:	TORCH WET
FILE:	MOD-C-008-08SET-EG-S100-V1
DATE REV:	01/09/2021
DRAWN BY:	IAMS