

# SOLARA LIGHTING

2021

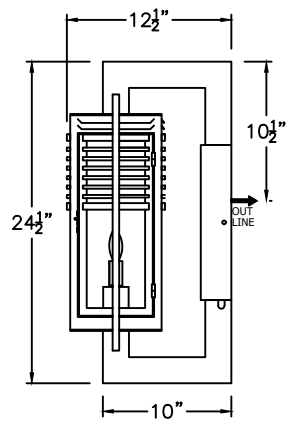
## VARINI



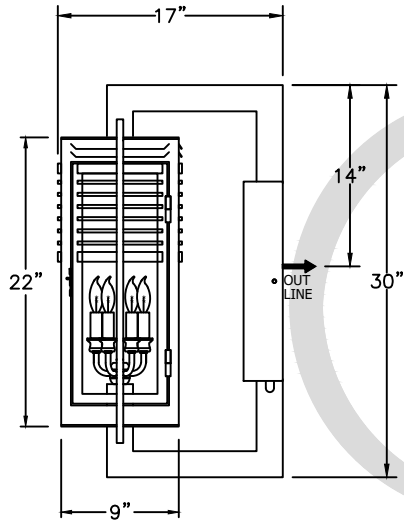
[www.solarcustomdoorsandlighting.com](http://www.solarcustomdoorsandlighting.com)

1-888-8SOLARA

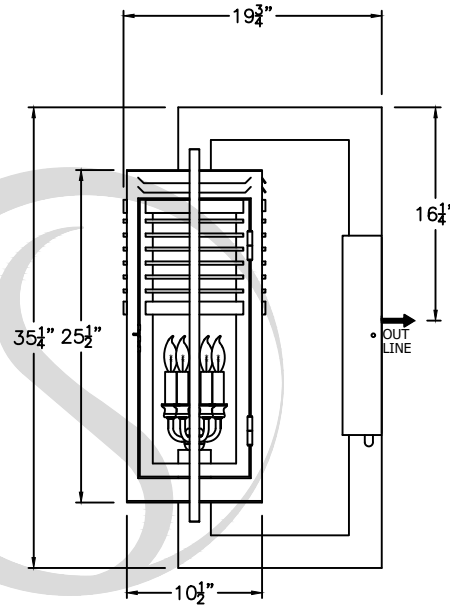
---



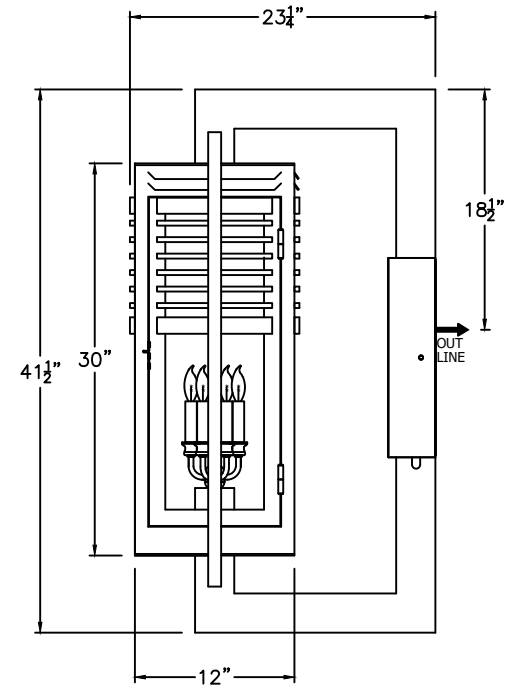
**SMALL**  
**B-010-011**  
 9 1/2" W X 24 1/2" H X 12 1/2" D



**MEDIUM**  
**B-010-012**  
 11 1/2" W X 30" H X 17" D



**LARGE**  
**B-010-013**  
 13 1/2" W X 35 1/4" H X 19 3/4" D



**X-LARGE**  
**B-010-014**  
 17" W X 41 1/2" H X 23 1/4" D

**SOLARA**  
 custom doors + lighting

AVAILABLE IN  
 GAS & ELECTRIC  
 WITH EXCEPTION  
 OF SMALL SIZE

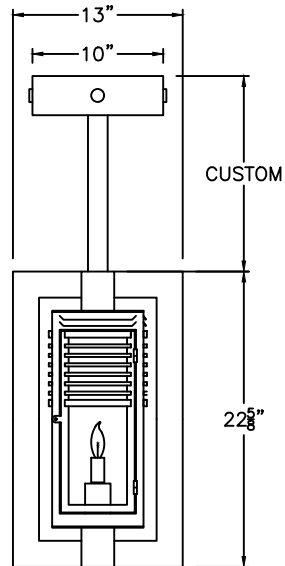
SIZE	CODE
SET	B-010-01

CUSTOM DRAWING CHANGES

© 2021 SOLARA ENCHAINMENT  
 UNAUTHORIZED USE OF THIS  
 PLAN IS IN VIOLATION OF THE  
 U.S. COPYRIGHT ACT TITLE 17  
 OF THE U.S. CODE.

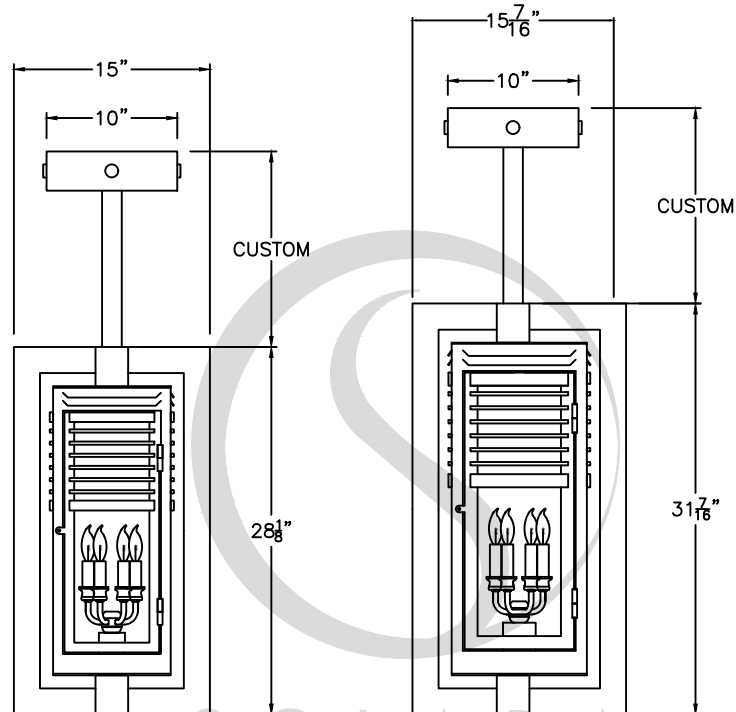


DESIGN:	VARINI
LINE:	WALL MOUNT
FILE:	MOD-B010-01SET-EL-S100-V1
DATE REV:	24/08/2021
DRAWN BY:	JAGP



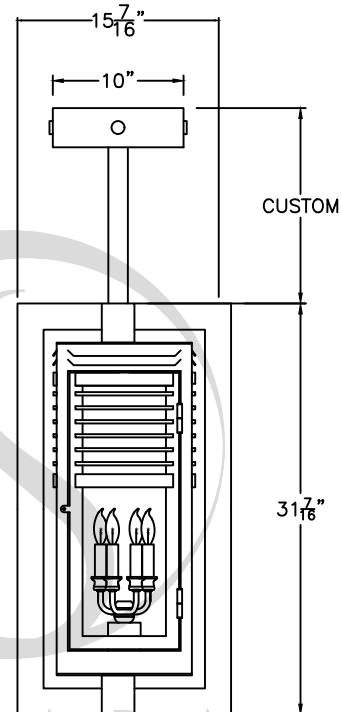
SMALL  
B-010-011

9 1/2" W X 24 1/2" H X 12 1/2" D



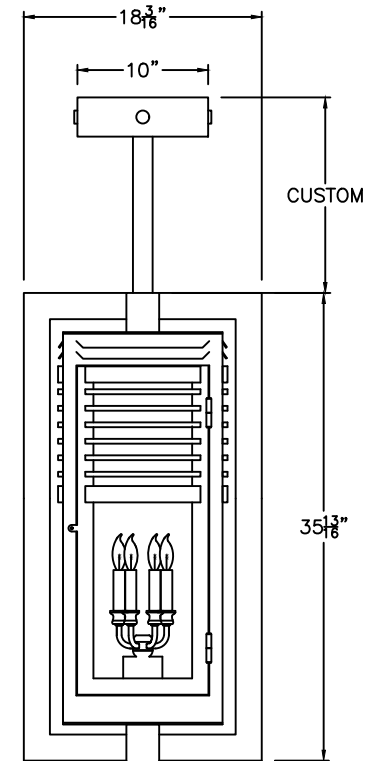
MEDIUM  
B-010-012

11 1/2" W X 30" H X 17" D



LARGE  
B-010-013

13 1/2" W X 35 1/4" H X 19 3/4" D



X-LARGE  
B-010-014

17" W X 41 1/2" H X 23 1/4" D

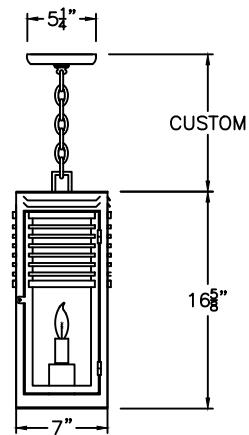
AVAILABLE IN  
GAS & ELECTRIC  
WITH EXCEPTION  
OF SMALL SIZE

CUSTOM DRAWING CHANGES

© 2021 SOLARA ENCHAINMENT  
UNAUTHORIZED USE OF THIS  
PLAN IS IN VIOLATION OF THE  
U.S. COPYRIGHT ACT TITLE 17  
OF THE U.S. CODE.

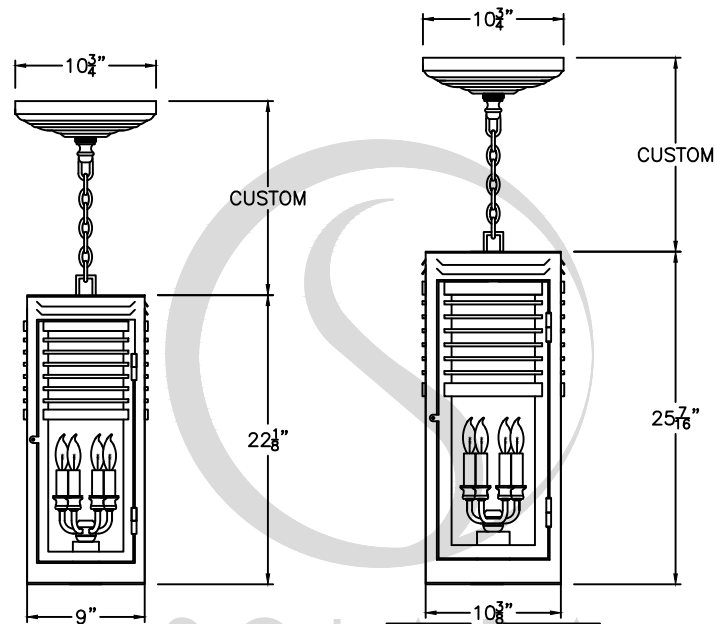


DESIGN:	VARINI
LINE:	PENDANT STEM
FILE:	MOD-B010-03SET-EL-S100-V1
DATE REV:	10/09/21
DRAWN BY:	IAVS



SMALL  
B-010-011

9 1/2" W X 24 1/2" H X 12 1/2" D

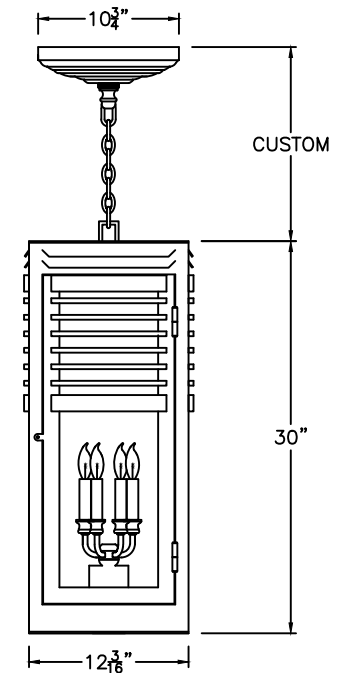


MEDIUM  
B-010-012

11 1/2" W X 30" H X 17" D

LARGE  
B-010-013

13 1/2" W X 35 1/4" H X 19 3/4" D



X-LARGE  
B-010-014

17" W X 41 1/2" H X 23 1/4" D

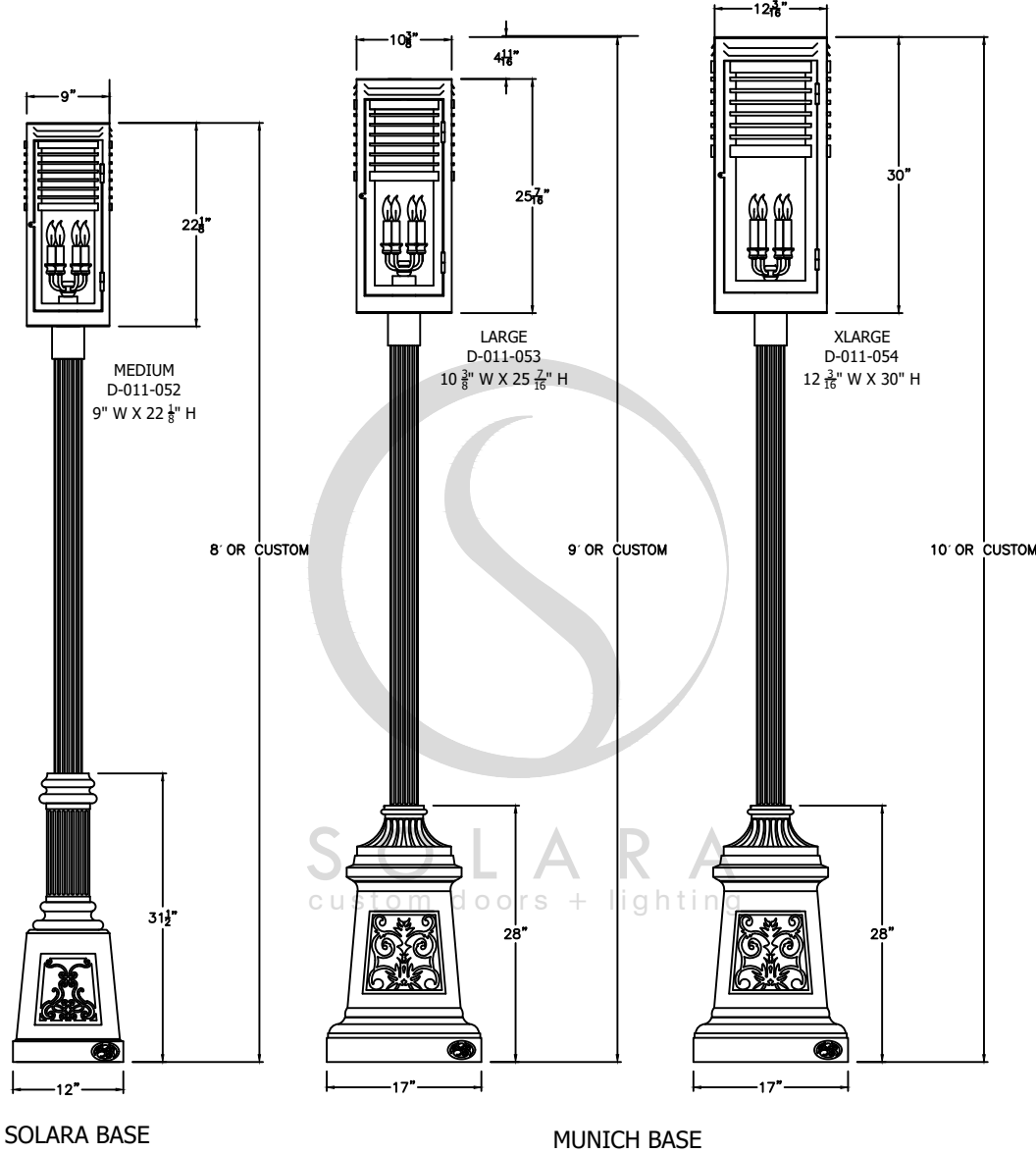
SMALL ONLY AVAILABLE  
IN ELECTRIC

CUSTOM DRAWING CHANGES

© 2021 SOLARA ENCHAINMENT  
UNAUTHORIZED USE OF THIS  
PLAN IS IN VIOLATION OF THE  
U.S. COPYRIGHT ACT TITLE 17  
OF THE U.S. CODE.



DESIGN:	VARINI
LINE:	PENDANT CHAIN
FILE:	MOD-B010-04SET-EL-S100-V1
DATE REV:	10/09/21
DRAWN BY:	IAVS



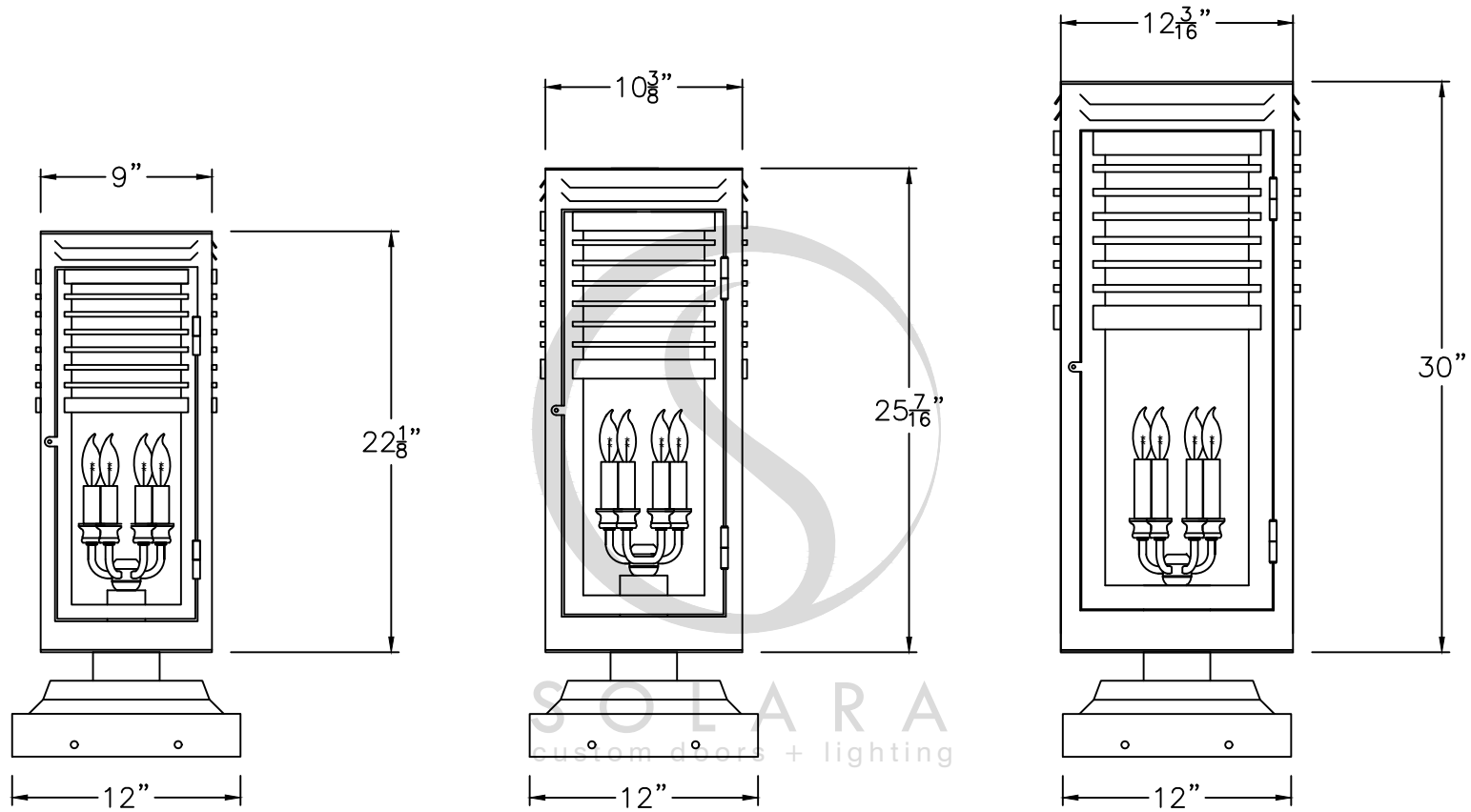
AVAILABLE IN  
 GAS & ELECTRIC  
 WITH EXCEPTION  
 OF SMALL SIZE

CUSTOM DRAWING CHANGES

© 2021 SOLARA ENCHAINMENT  
 UNAUTHORIZED USE OF THIS  
 PLAN IS IN VIOLATION OF THE  
 U.S. COPYRIGHT ACT TITLE 17  
 OF THE U.S. CODE.



DESIGN:	VARINI	
LINE:	POST MOUNT	
FILE:	MOD-B010-05SET-EL-S100-V1	
DATE REV :	10/09/21	DRAWN BY : IAVS



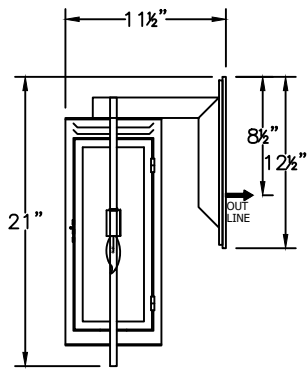
AVAILABLE IN  
GAS & ELECTRIC  
WITH EXCEPTION  
OF SMALL SIZE

CUSTOM DRAWING CHANGES

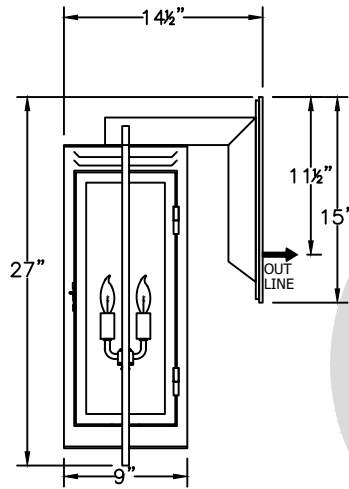
© 2021 SOLARA ENCHAINMENT  
UNAUTHORIZED USE OF THIS  
PLAN IS IN VIOLATION OF THE  
U.S. COPYRIGHT ACT TITLE 17  
OF THE U.S. CODE.



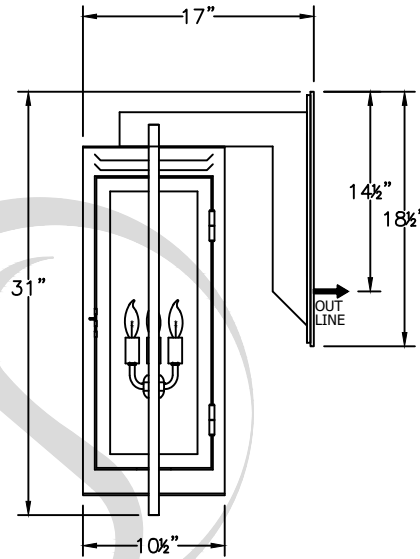
DESIGN:	VARINI
LINE:	PIER MOUNT
FILE:	MOD-B010-06SET-EL-S100-V1
DATE REV:	10/09/21
DRAWN BY:	IAVS



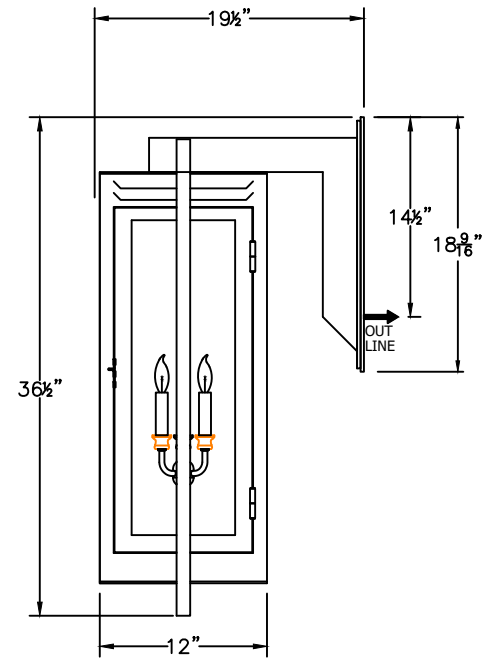
**SMALL**  
**B-010-101**  
 9 1/2" W X 21" H X 11 1/2" D



**MEDIUM**  
**B-010-102**  
 11 1/2" W X 27" H X 14 1/2" D



**LARGE**  
**B-010-103**  
 13 1/2" W X 31" H X 17" D



**X-LARGE**  
**B-010-014**  
 17" W X 36 1/2" H X 19 1/2" D

**SOLARA**  
 custom doors + lighting

ONLY AVAILABLE  
 IN ELECTRIC

CUSTOM DRAWING CHANGES

© 2021 SOLARA ENCHAINMENT  
 UNAUTHORIZED USE OF THIS  
 PLAN IS IN VIOLATION OF THE  
 U.S. COPYRIGHT ACT TITLE 17  
 OF THE U.S. CODE.



DESIGN:	VARINI
LINE:	WALL MOUNT
FILE:	MOD-B010-10SET-EL-S100-V1
DATE REV:	10/09/2021
DRAWN BY:	APZ