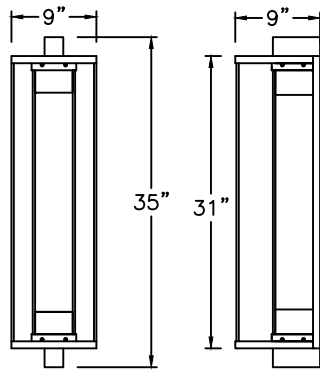


SOLARA LIGHTING ANABELLA

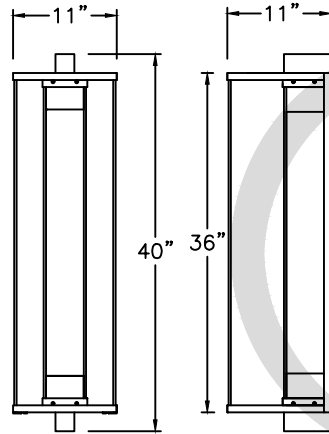


www.solarcustomdoorsandlighting.com

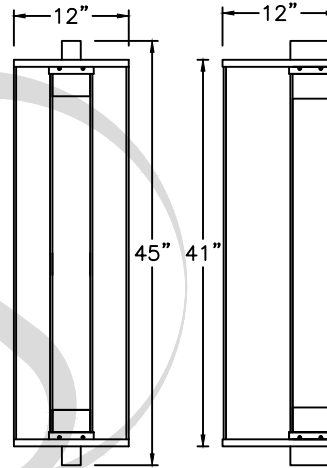
1-888-8SOLARA



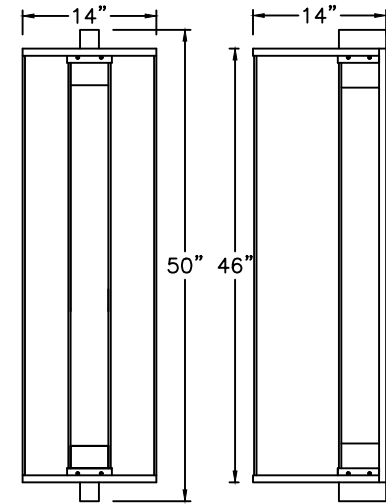
SMALL
B011-001
9" W X 35" H X 9" D



MEDIUM
B011-002
11" W X 40" H X 11" D



LARGE
B011-003
12" W X 45" H X 12" D



X LARGE
B011-004
14" W X 50" H X 14" D

SOLARA
custom doors + lighting

ONLY AVAILABLE
IN ELECTRIC

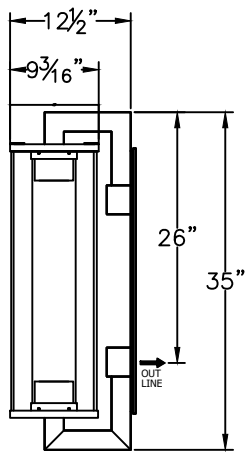
* ACTUAL DIMENSIONS MAY VARY UP TO 1/2"

CUSTOM DRAWING CHANGES

© 2023 SOLARA ENCHAINMENT
UNAUTHORIZED USE OF THIS
PLAN IS IN VIOLATION OF THE
U.S. COPYRIGHT ACT TITLE 17
OF THE U.S. CODE.

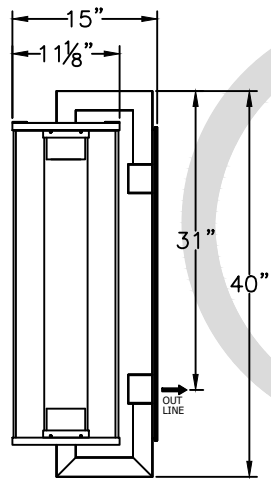


DESIGN:	ANABELLA
LINE:	FLUSH SCONCE
FILE:	MOD-B-011-00SET-EL-S100-V1
DATE REV:	16/08/2021
DRAWN BY:	ADGS



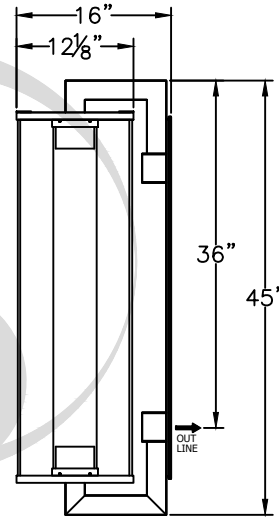
SMALL
B011-011

9 ³/₁₆" W X 35" H X 12 ¹/₂" D



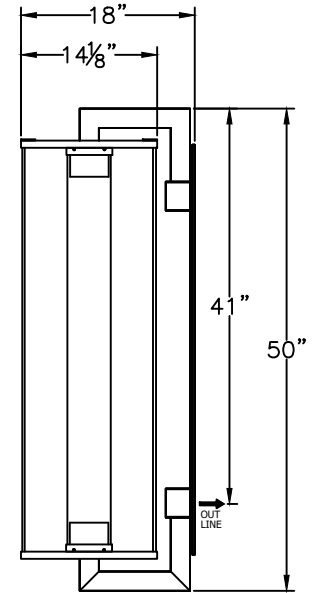
MEDIUM
B011-012

11 ¹/₈" W X 40" H X 15" D



LARGE
B011-013

12 ¹/₈" W X 45" H X 16" D



X LARGE
B011-014

14 ¹/₈" W X 50" H X 18" D

ONLY AVAILABLE
IN ELECTRIC

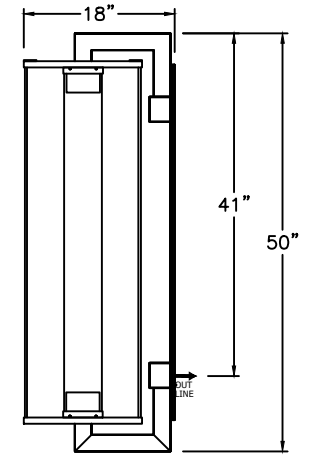
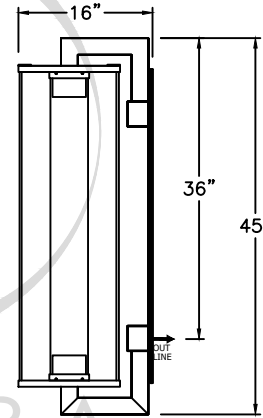
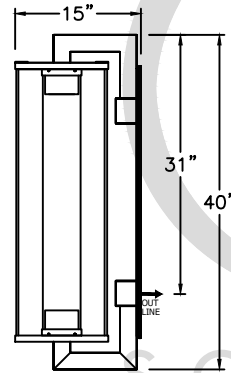
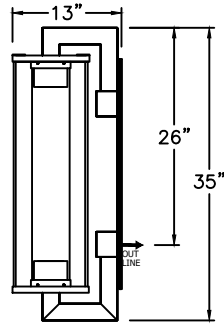
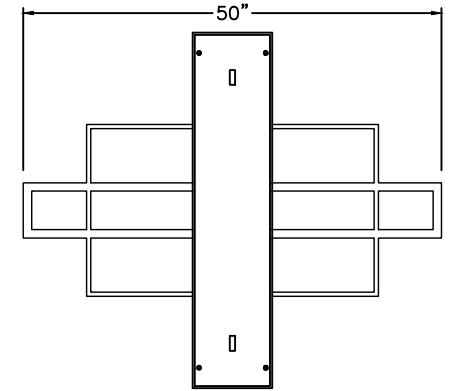
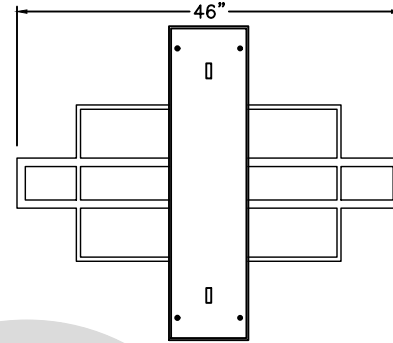
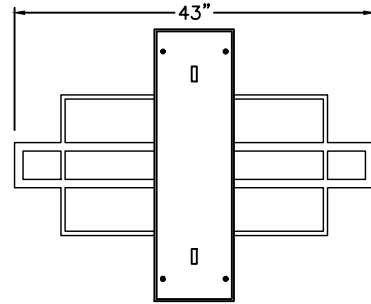
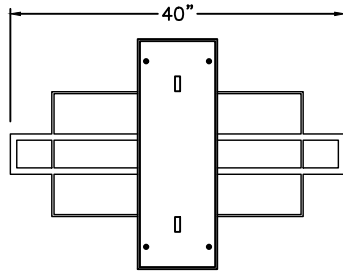
* ACTUAL DIMENSIONS MAY VARY UP TO 1/2"

CUSTOM DRAWING CHANGES

© 2023 SOLARA ENCHAINMENT
UNAUTHORIZED USE OF THIS
PLAN IS IN VIOLATION OF THE
U.S. COPYRIGHT ACT TITLE 17
OF THE U.S. CODE.



DESIGN:	ANABELLA
LINE:	WALL MOUNT
FILE:	MOD-B-011-01SET-EL-S100-V1
DATE REV:	16/08/2021
DRAWN BY:	JAGP



SMALL
B011-021
40" W X 35" H X 13" D

MEDIUM
B011-022
43" W X 40" H X 15" D

LARGE
B011-023
46" W X 45" H X 16" D

X LARGE
B011-024
50" W X 50" H X 18" D

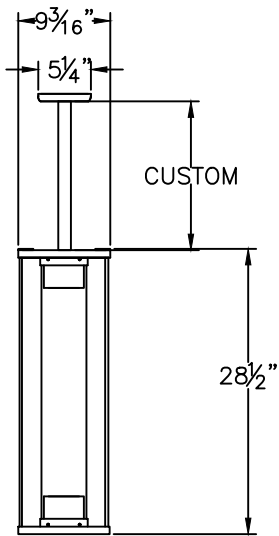
ONLY AVAILABLE
IN ELECTRIC
* ACTUAL DIMENSIONS MAY VARY UP TO 1/2"

CUSTOM DRAWING CHANGES

© 2023 SOLARA ENCHAINMENT
UNAUTHORIZED USE OF THIS
PLAN IS IN VIOLATION OF THE
U.S. COPYRIGHT ACT TITLE 17
OF THE U.S. CODE.

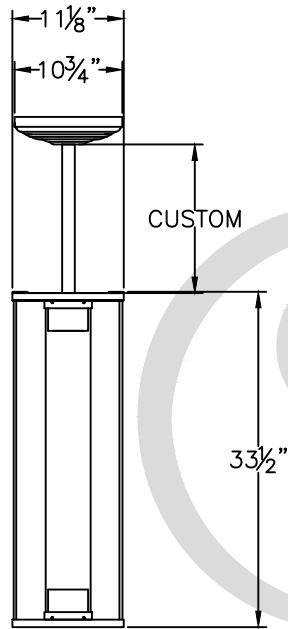


DESIGN:	ANABELLA
LINE:	CENTRAL MOUNT
FILE:	MOD-B-011-02SET-EL-S100-V1
DATE REV :	28/12/20
DRAWN BY :	ADGS



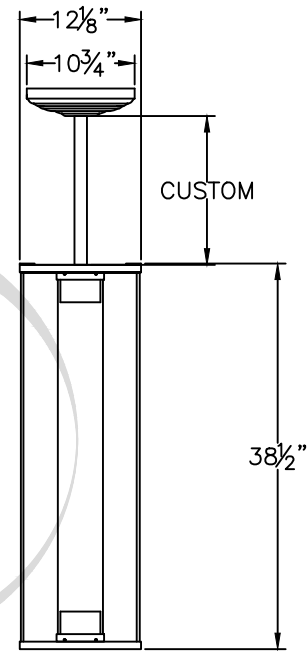
SMALL
B011-031

9 $\frac{3}{16}$ " W X 28 $\frac{1}{2}$ " H X 9 $\frac{3}{16}$ " D



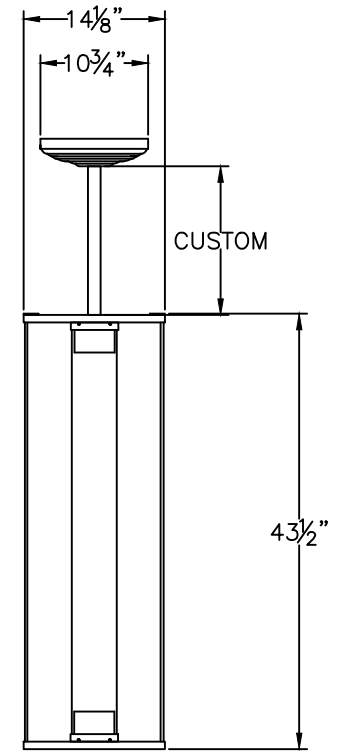
MEDIUM
B011-032

11 $\frac{1}{8}$ " W X 33 $\frac{1}{2}$ " H X 11 $\frac{1}{8}$ " D



LARGE
B011-033

12 $\frac{1}{8}$ " W X 38 $\frac{1}{2}$ " H X 12 $\frac{1}{8}$ " D



X LARGE
B011-034

14 $\frac{1}{8}$ " W X 43 $\frac{1}{2}$ " H X 14 $\frac{1}{8}$ " D

ONLY AVAILABLE
IN ELECTRIC

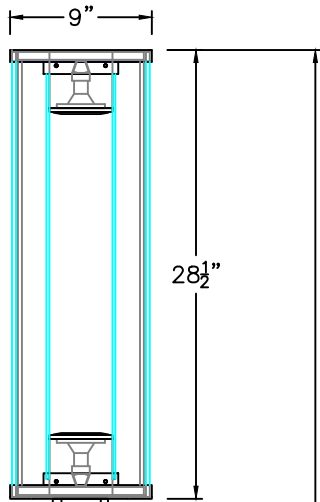
* ACTUAL DIMENSIONS MAY VARY UP TO 1/2"

CUSTOM DRAWING CHANGES

© 2023 SOLARA ENCHAINMENT
UNAUTHORIZED USE OF THIS
PLAN IS IN VIOLATION OF THE
U.S. COPYRIGHT ACT TITLE 17
OF THE U.S. CODE.

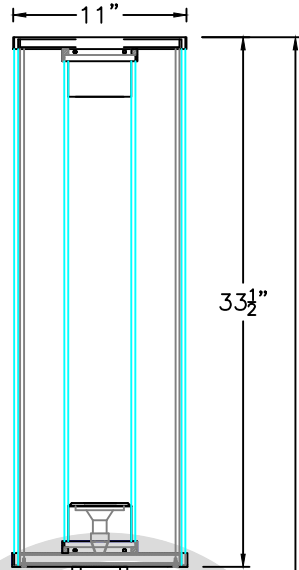


DESIGN:	ANABELLA
LINE:	PENDANT STEM
FILE:	MOD-B-011-03SET-EL-S100-V1
DATE REV:	16/08/2021
DRAWN BY:	IAVS



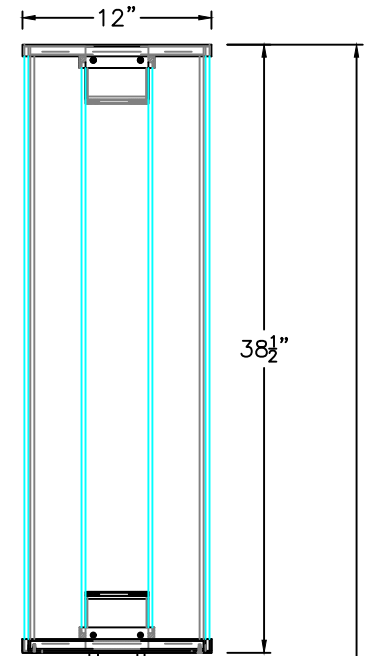
SMALL
B011-051
9" W X 28 1/2" H

8'
OR
CUSTOM



MEDIUM
B011-052
11" W X 33 1/2" H

8'
OR
CUSTOM

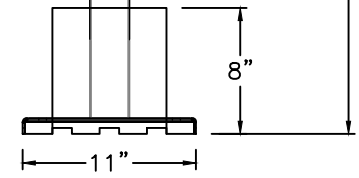
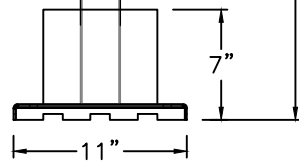
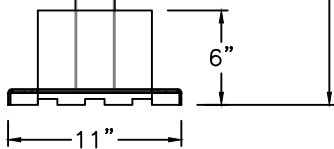


LARGE
B011-053
12" W X 38 1/2" H

8'
OR
CUSTOM

SOLARA
custom doors + lighting

ONLY AVAILABLE
IN ELECTRIC



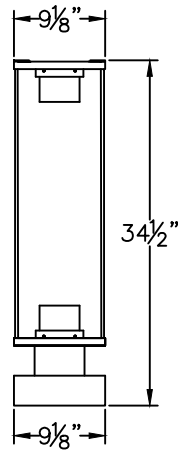
* ACTUAL DIMENSIONS MAY VARY UP TO 1/2"

CUSTOM
DRAWING
CHANGES

© 2023 SOLARA ENCHAINMENT
UNAUTHORIZED USE OF THIS
PLAN IS IN VIOLATION OF THE
U.S. COPYRIGHT ACT TITLE 17
OF THE U.S. CODE.

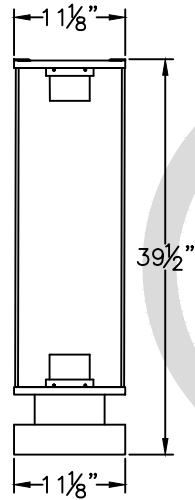


DESIGN:	ANABELLA	
LINE:	POST MOUNT	
FILE:	MOD-B-011-05SET-EL-S100-V2	
DATE REV :	21/04/22	DRAWN BY : ADGS



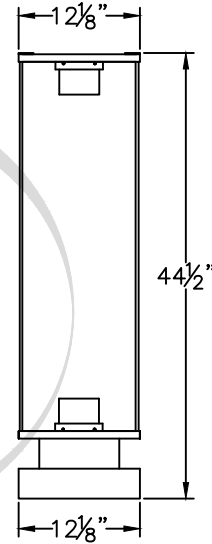
SMALL
B011-061

9 1/8" W X 34 1/2" H X 9 1/8" D



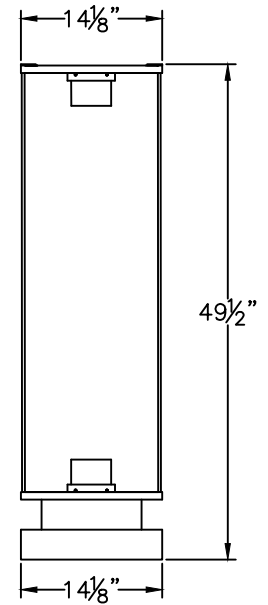
MEDIUM
B011-062

11 1/8" W X 39 1/2" H X 11 1/8" D



LARGE
B011-063

12 1/8" W X 44 1/2" H X 12 1/8" D



X LARGE
B011-064

14 1/8" W X 49 1/2" H X 14 1/8" D

ONLY AVAILABLE
IN ELECTRIC

* ACTUAL DIMENSIONS MAY VARY UP TO 1/2"

CUSTOM DRAWING CHANGES

© 2023 SOLARA ENCHAINMENT
UNAUTHORIZED USE OF THIS
PLAN IS IN VIOLATION OF THE
U.S. COPYRIGHT ACT TITLE 17
OF THE U.S. CODE.



DESIGN:	ANABELLA
LINE:	PIER MOUNT
FILE:	MOD-B-011-06SET-EL-S100-V1
DATE REV:	16/08/2021
DRAWN BY:	JCCM