



SOLARA LIGHTING

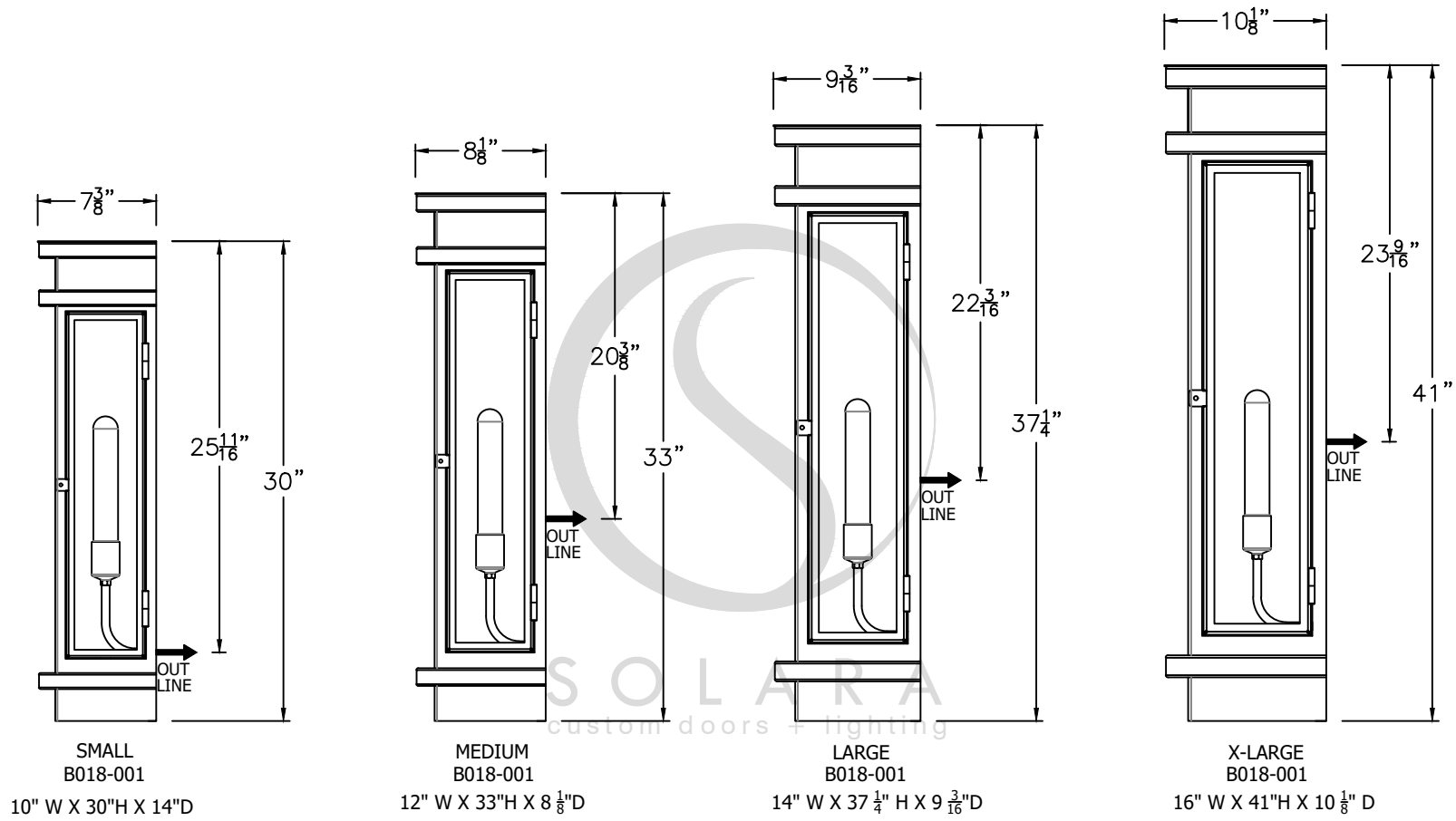
2021

TUCSON



www.solarcustomdoorsandlighting.com

1-888-8SOLARA



ONLY AVAILABLE
IN ELECTRIC

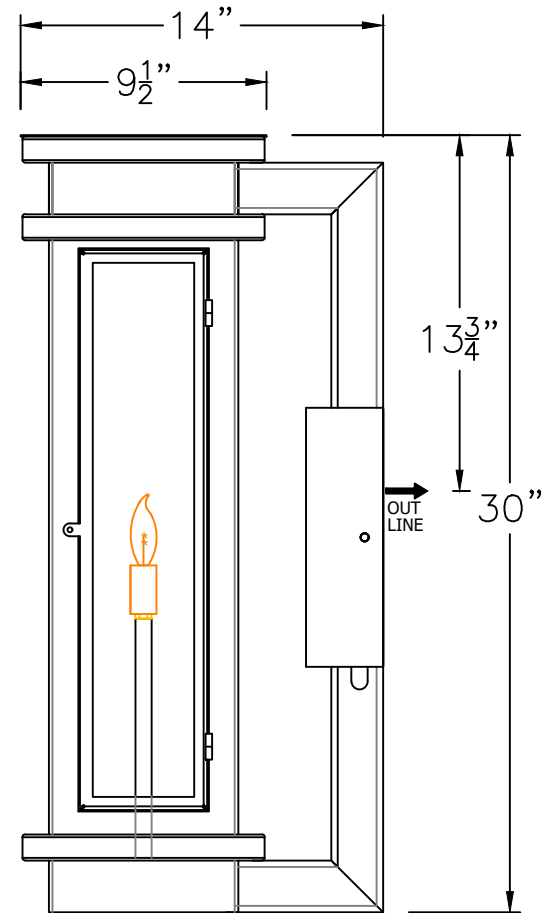
* ACTUAL DIMENSIONS MAY VARY UP TO 1/2"

CUSTOM DRAWING CHANGES

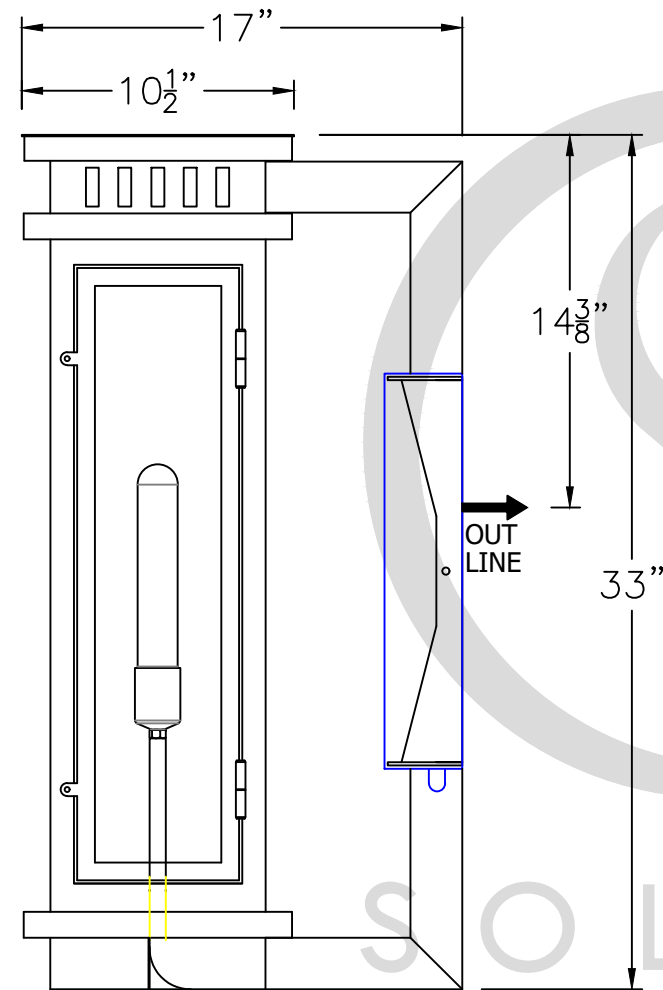
© 2021 SOLARA ENCHAINMENT
UNAUTHORIZED USE OF THIS
PLAN IS IN VIOLATION OF THE
U.S. COPYRIGHT ACT TITLE 17
OF THE U.S. CODE.



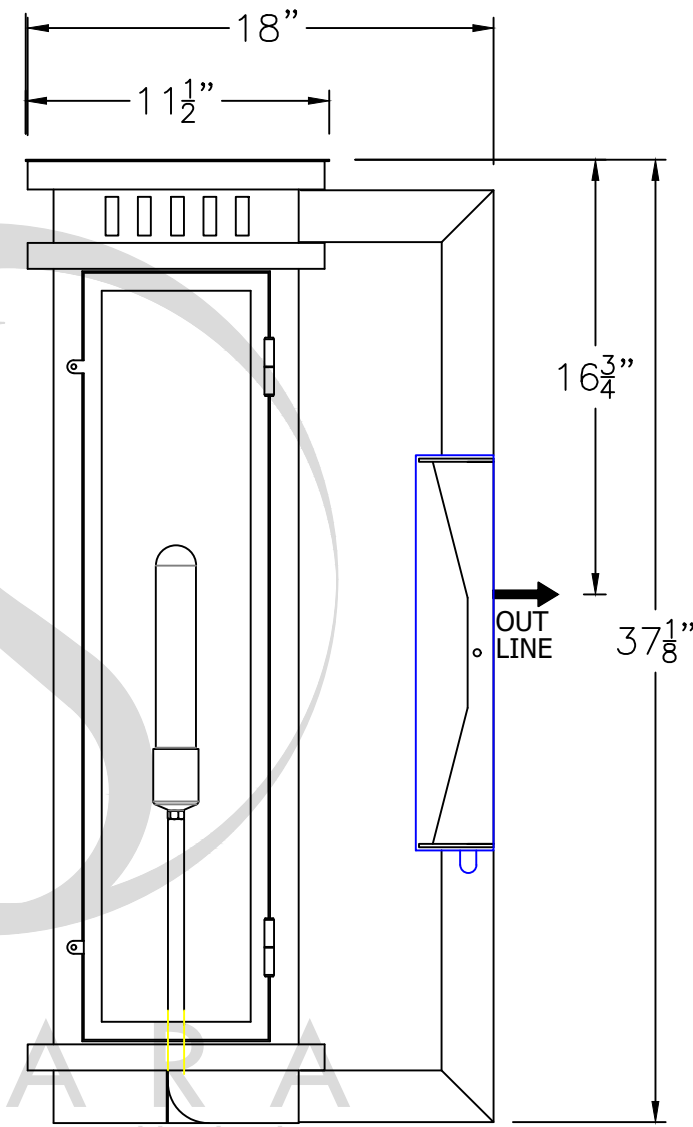
DESIGN:	TUCSON
LINE:	FLUSH SCONCE
FILE:	MOD-B-018-00SET-EL-S100-V1
DATE REV:	21/12/2021
DRAWN BY:	IAVS



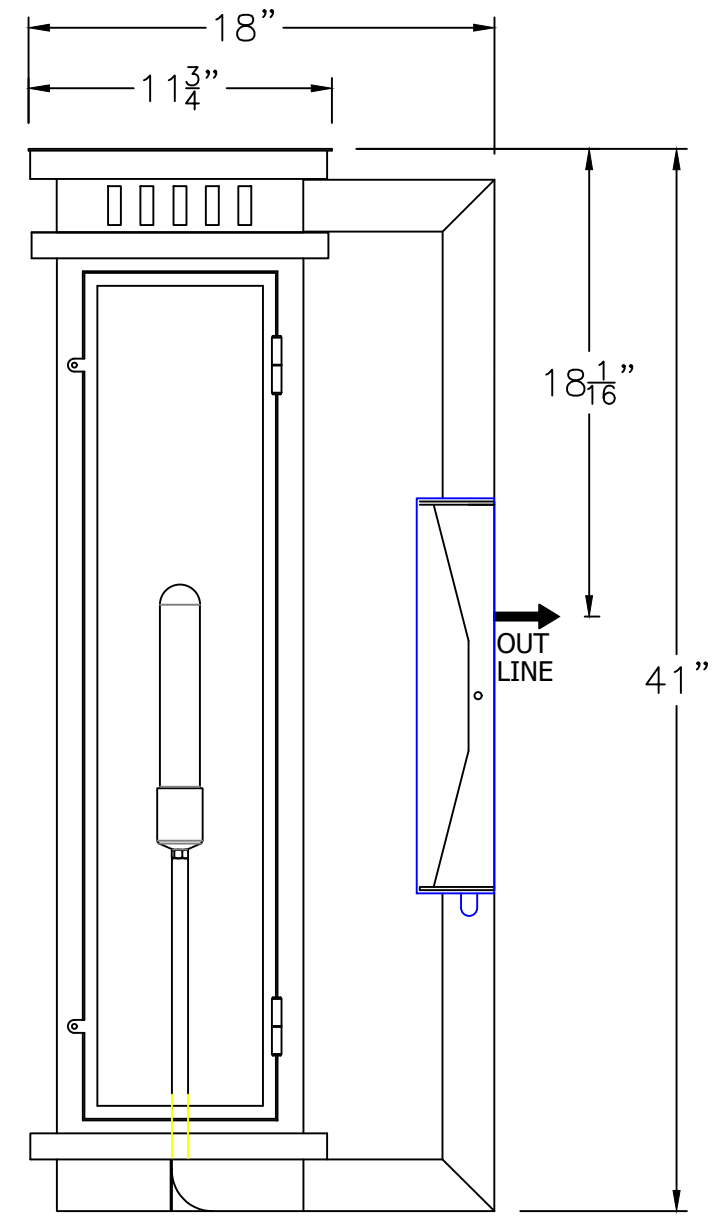
SMALL
B018-011
 9 1/2" W X 30" H X 14" D



MEDIUM
B018-012
 10 1/2" W X 33" H X 17" D



LARGE
B018-013
 11 1/2" W X 37 1/8" H X 18" D



XLARGE
B018-014
 11 3/4" W X 41" H X 18" D

AVAILABLE IN
 GAS & ELECTRIC
 WITH EXCEPTION
 OF SMALL SIZE

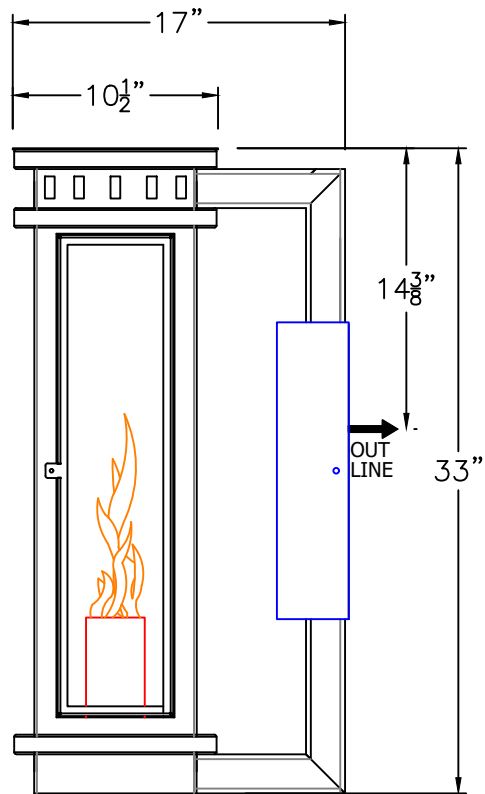
* ACTUAL DIMENSIONS MAY VARY UP TO 1/2"

CUSTOM DRAWING CHANGES

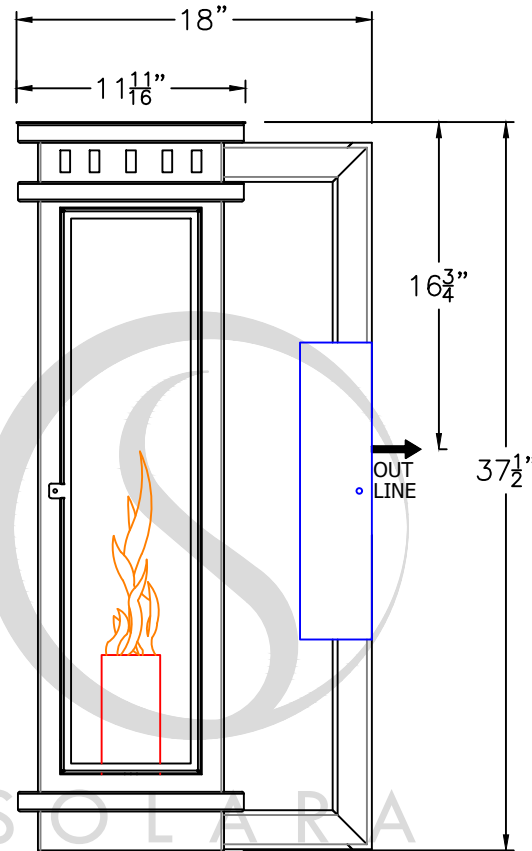
© 2022 SOLARA ENCHAINMENT
 UNAUTHORIZED USE OF THIS
 PLAN IS IN VIOLATION OF THE
 U.S. COPYRIGHT ACT TITLE 17
 OF THE U.S. CODE.



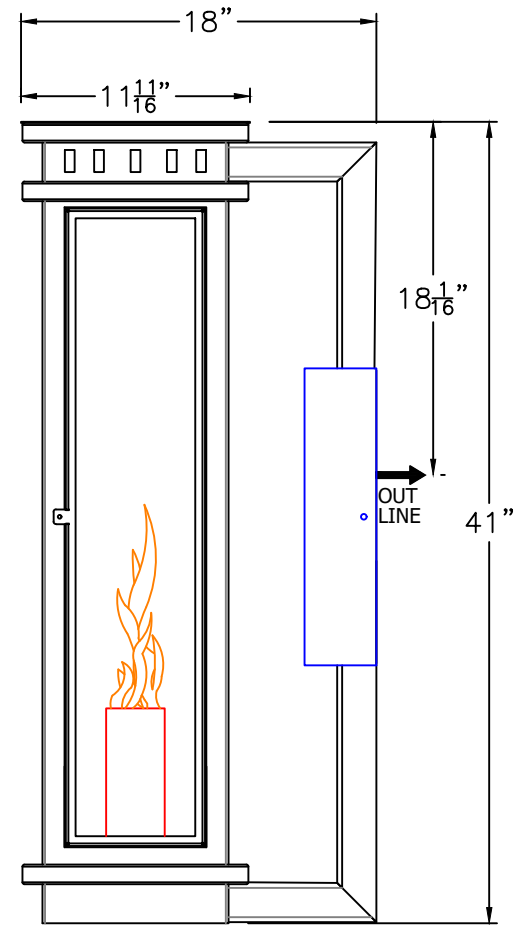
DESIGN:	TUCSON
LINE:	WALLMOUNT
FILE:	MOD-B-018-01SET-EL-S100-V1
DATE REV:	18/02/22
DRAWN BY:	ADGS



MEDIUM
B018-012
10½" W X 33"H X 15"D



LARGE
B018-013
11½" W X 37 ½"H X 16½"D



XLARGE
B018-014
11½" W X 41"H X 16 ½"D

AVAILABLE IN
GAS & ELECTRIC
WITH EXCEPTION
OF SMALL SIZE

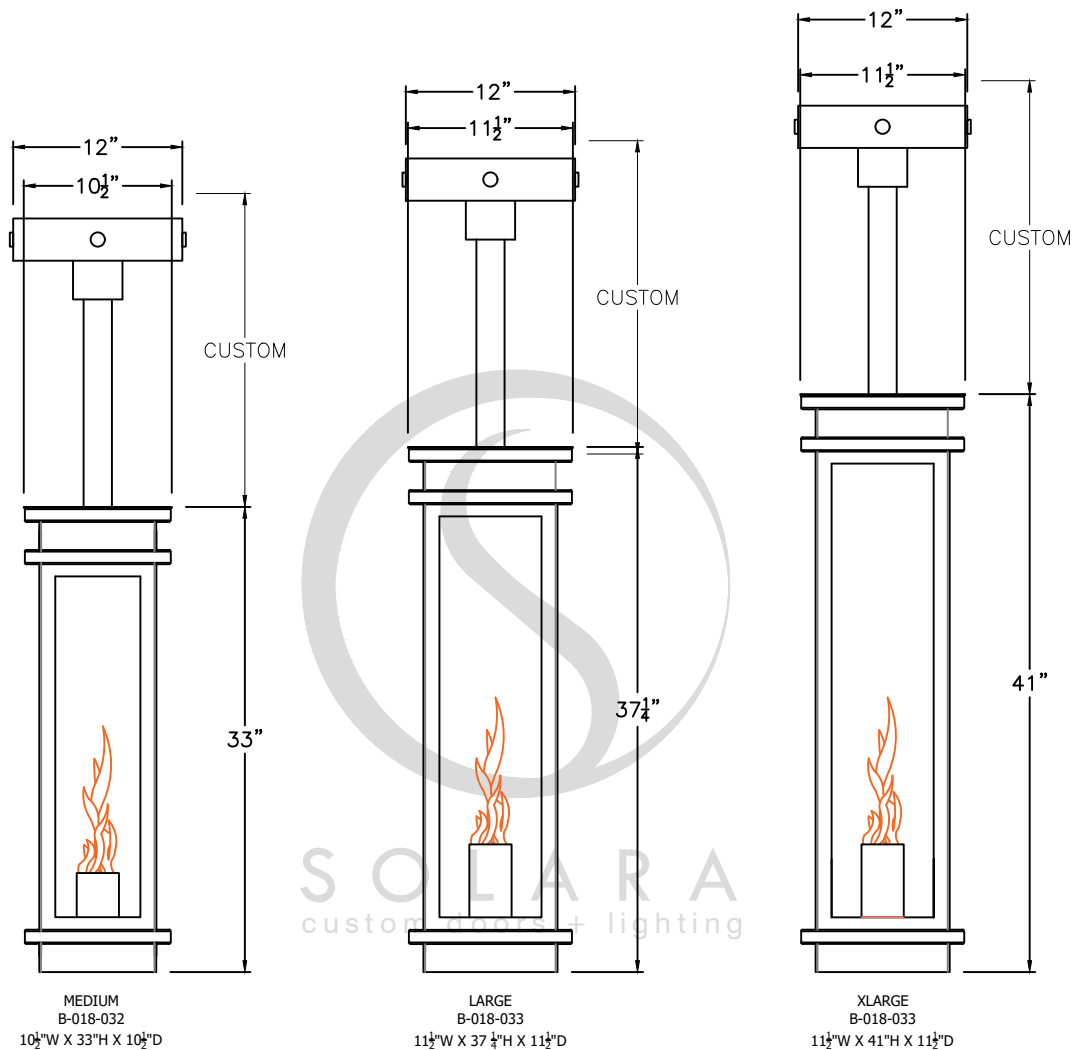
* ACTUAL DIMENSIONS MAY VARY UP TO 1/2"

CUSTOM DRAWING CHANGES

© 2017 SOLARA ENCHAINMENT
UNAUTHORIZED USE OF THIS
PLAN IS IN VIOLATION OF THE
U.S. COPYRIGHT ACT TITLE 17
OF THE U.S. CODE.



DESIGN:	TUCSON
LINE:	WALL MOUNT
FILE:	MOD-B-018-01SET-MG-S100-V1
DATE REV:	13/10/20
DRAWN BY:	IAVS



AVAILABLE IN
GAS & ELECTRIC
WITH EXCEPTION
OF SMALL SIZE

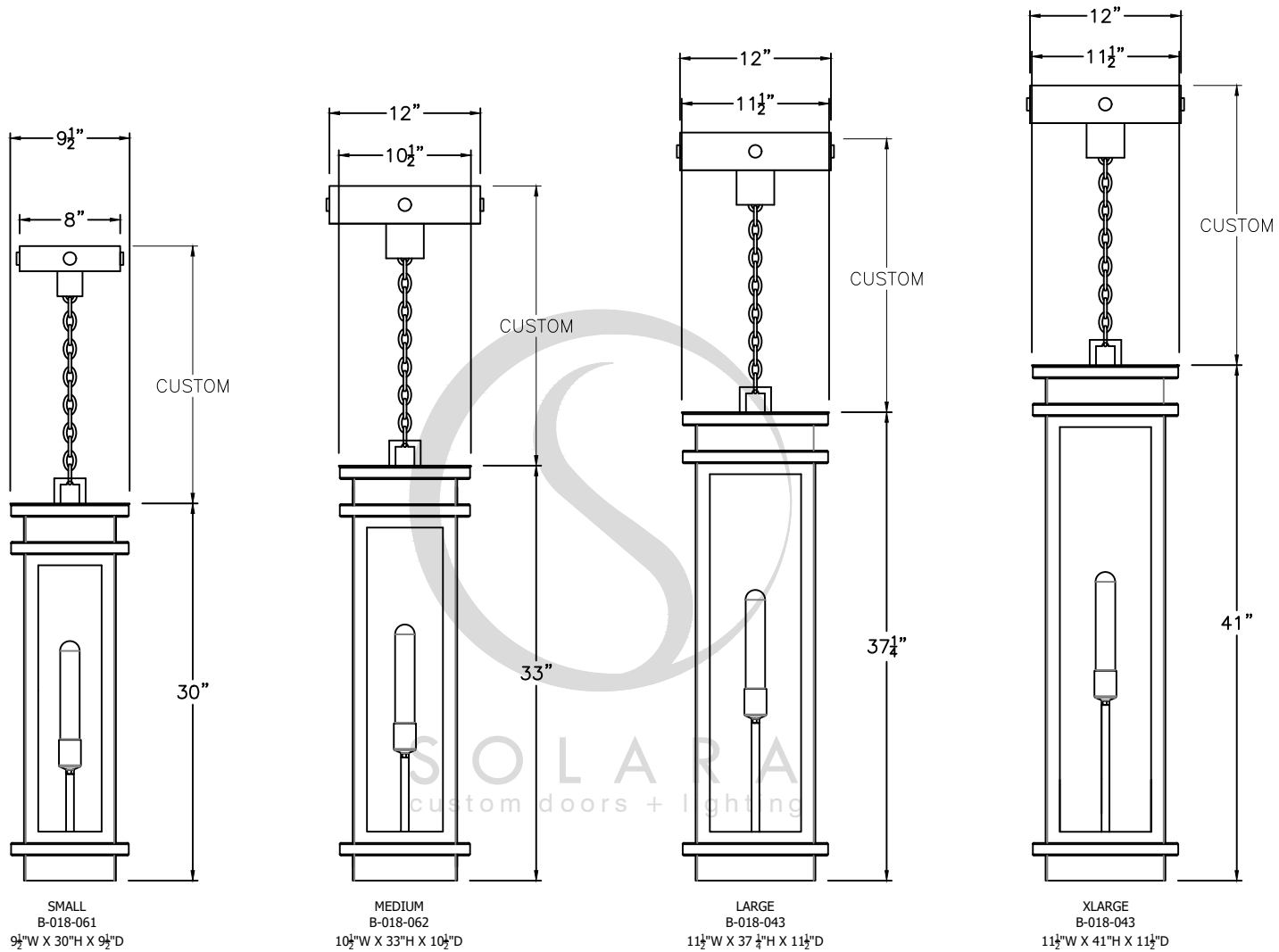
* ACTUAL DIMENSIONS MAY VARY UP TO 1/2"

CUSTOM DRAWING CHANGES

© 2021 SOLARA ENCHAINMENT
UNAUTHORIZED USE OF THIS
PLAN IS IN VIOLATION OF THE
U.S. COPYRIGHT ACT TITLE 17
OF THE U.S. CODE.



DESIGN:	TUCSON
LINE:	PENDANT STEM
FILE:	MOD-B-018-03SET-EG-S100-V1
DATE REV :	20/12/21
DRAWN BY :	IAVS



ONLY AVAILABLE
IN ELECTRIC

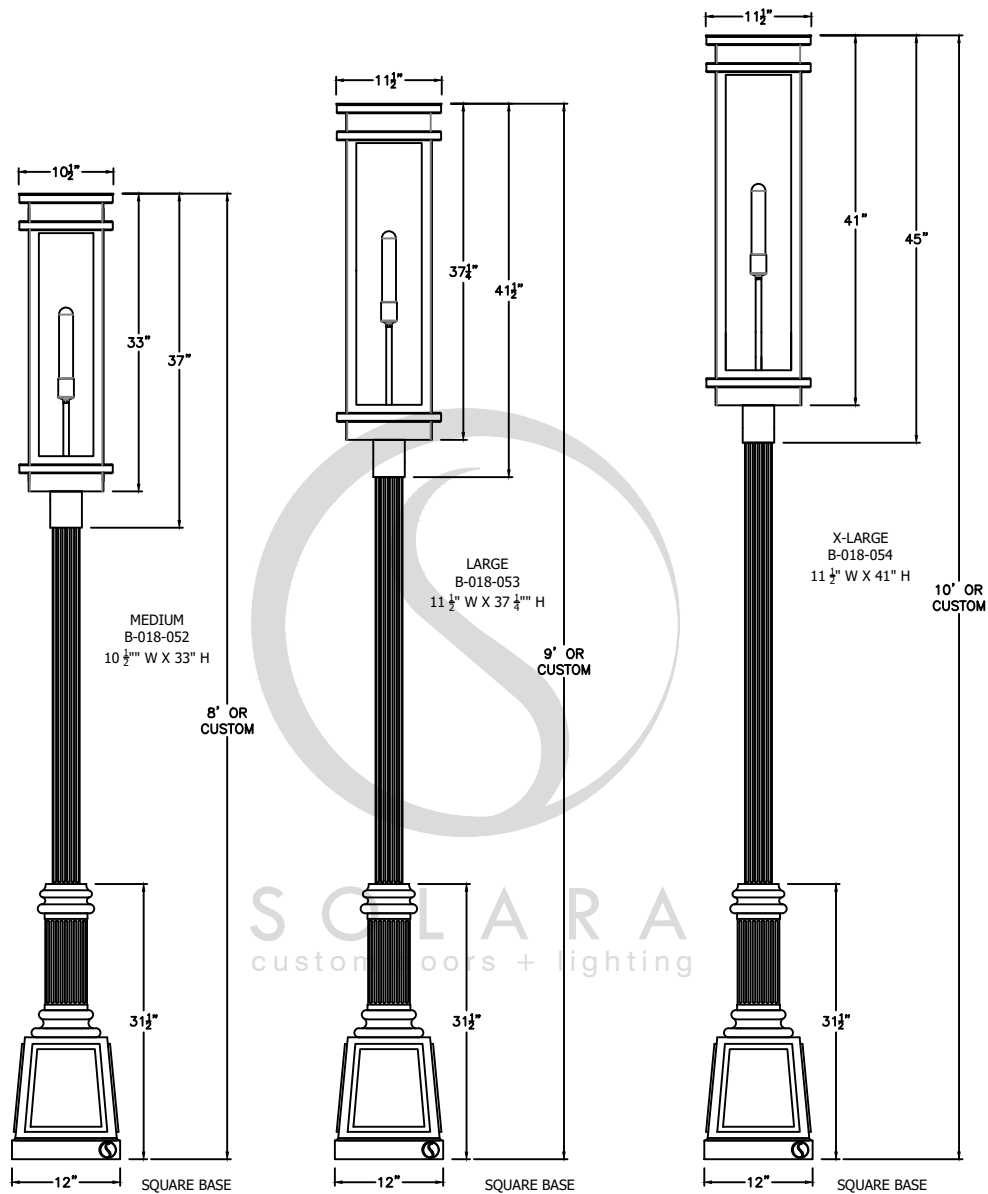
* ACTUAL DIMENSIONS MAY VARY UP TO 1/2"

CUSTOM DRAWING CHANGES

© 2021 SOLARA ENCHAINMENT
UNAUTHORIZED USE OF THIS
PLAN IS IN VIOLATION OF THE
U.S. COPYRIGHT ACT TITLE 17
OF THE U.S. CODE.



DESIGN:	TUCSON
LINE:	PENDANT CHAIN
FILE:	MOD-B-018-04SET-EL-S100-V1
DATE REV :	20/12/21
DRAWN BY :	IAMS



AVAILABLE IN
GAS & ELECTRIC
WITH EXCEPTION
OF SMALL SIZE

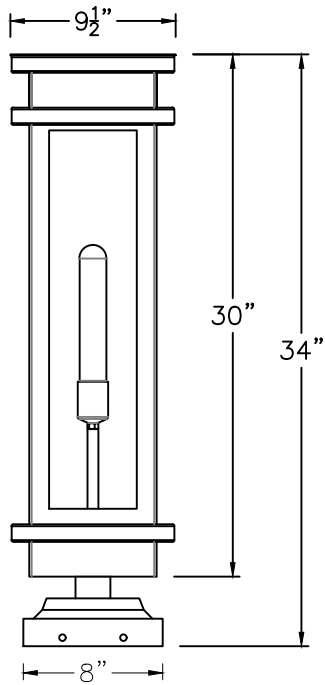
* ACTUAL DIMENSIONS MAY VARY UP TO 1/2"

CUSTOM DRAWING CHANGES

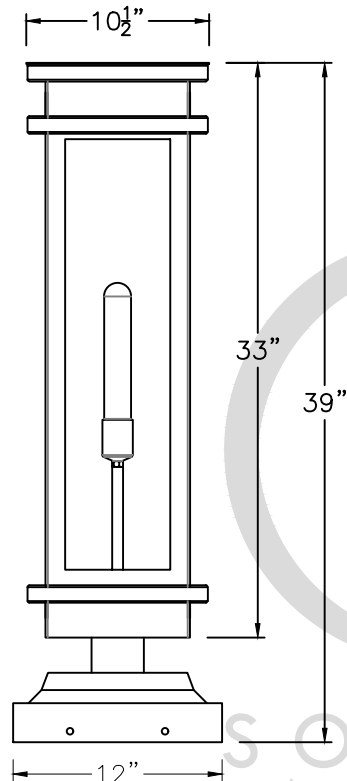
© 2021 SOLARA ENCHAINMENT
UNAUTHORIZED USE OF THIS
PLAN IS IN VIOLATION OF THE
U.S. COPYRIGHT ACT TITLE 17
OF THE U.S. CODE.



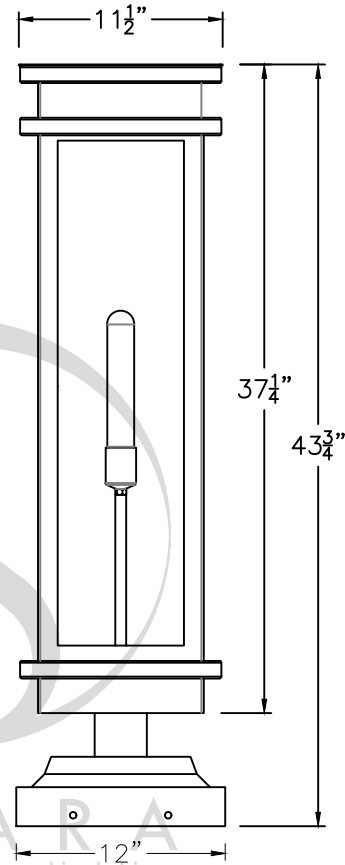
DESIGN:	TUCSON
LINE:	POST MOUNT
FILE:	MOD-B-018-05SET-EL-S100-V2
DATE REV :	24/08/21
DRAWN BY :	ADGS



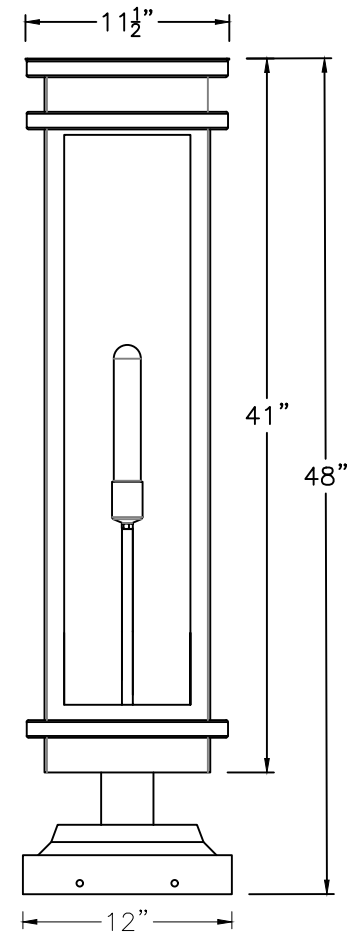
SMALL
B-018-061
9 1/2" W X 34" H X 9 1/2" D



MEDIUM
B-018-062
10 1/2" W X 39" H X 10 1/2" D



LARGE
B-018-063
11 1/2" W X 43 3/4" H X 11 1/2" D



XLARGE
B-018-063
11 1/2" W X 48" H X 11 1/2" D

AVAILABLE IN
GAS & ELECTRIC
WITH EXCEPTION
OF SMALL SIZE

* ACTUAL DIMENSIONS MAY VARY UP TO 1/2"

CUSTOM DRAWING CHANGES

© 2021 SOLARA ENCHAINMENT
UNAUTHORIZED USE OF THIS
PLAN IS IN VIOLATION OF THE
U.S. COPYRIGHT ACT TITLE 17
OF THE U.S. CODE.



DESIGN:	TUCSON
LINE:	PIER MOUNT
FILE:	MOD-B-018-06SET-EL-S100-V1
DATE REV :	24/08/24
DRAWN BY :	ADGS