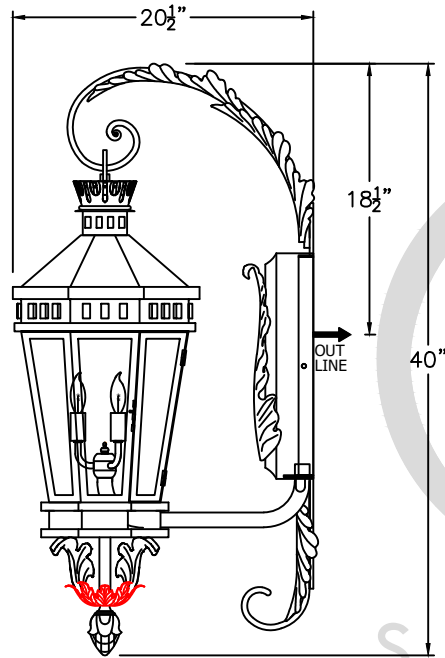
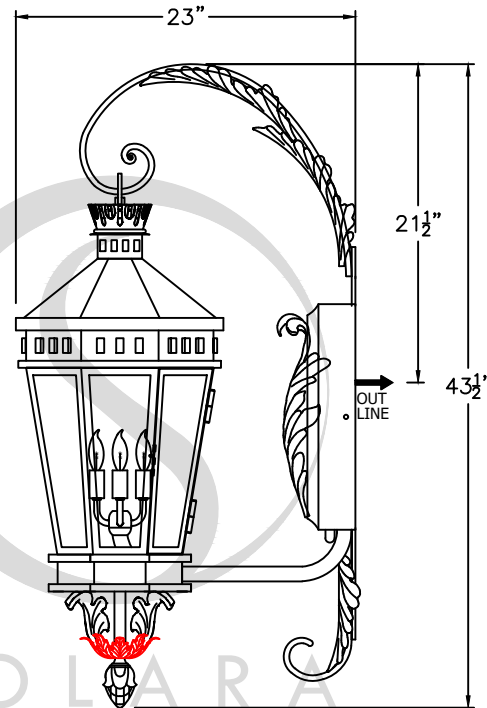


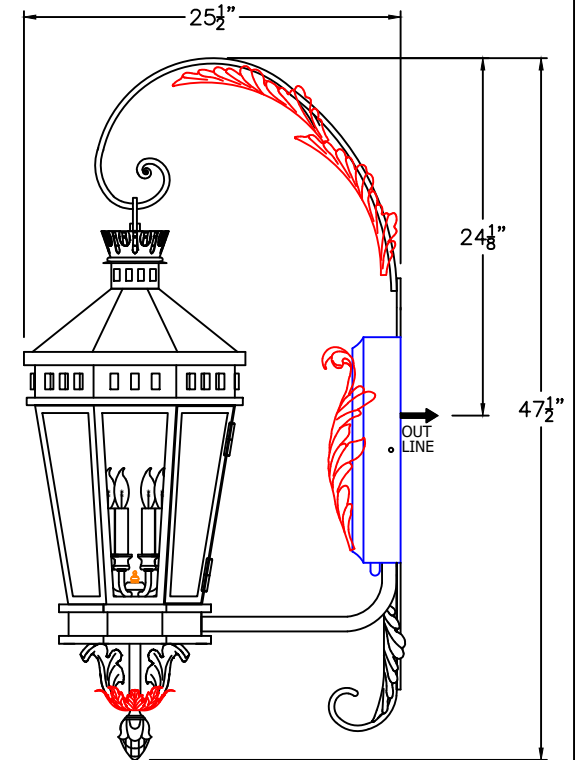
SMALL
E-009-011
9" W X 31" H X 15" D



MEDIUM
E-009-012
12 1/2" W X 40" H X 20 1/2" D



LARGE
E-009-013
14" W X 43 1/2" H X 23" D



XLARGE
E-009-014
15" W X 47 1/2" H X 25 1/2" D

* ACTUAL DIMENSIONS MAY VARY UP TO 1/2"

CUSTOM DRAWING CHANGES

© 2017 SOLARA ENCHAINMENT
UNAUTHORIZED USE OF THIS
PLAN IS IN VIOLATION OF THE
U.S. COPYRIGHT ACT TITLE 17
OF THE U.S. CODE.



DESIGN:	LUCERNA
LINE:	WALL MOUNT
FILE:	CLA-E-009-01SET-EL-S100-V1
DATE REV :	08/09/20
DRAWN BY :	