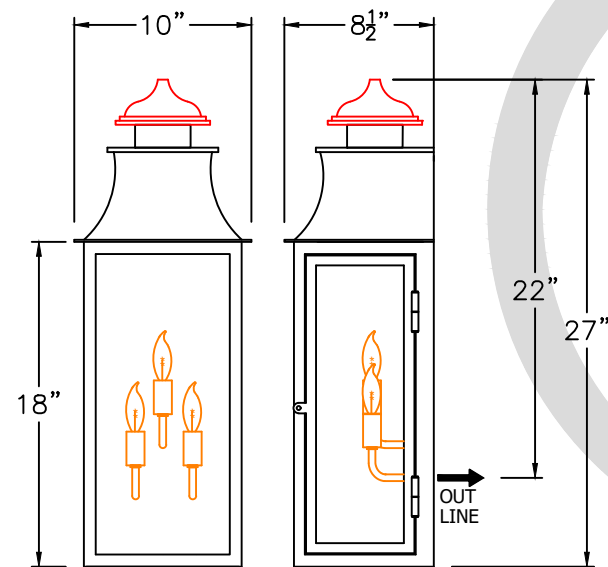
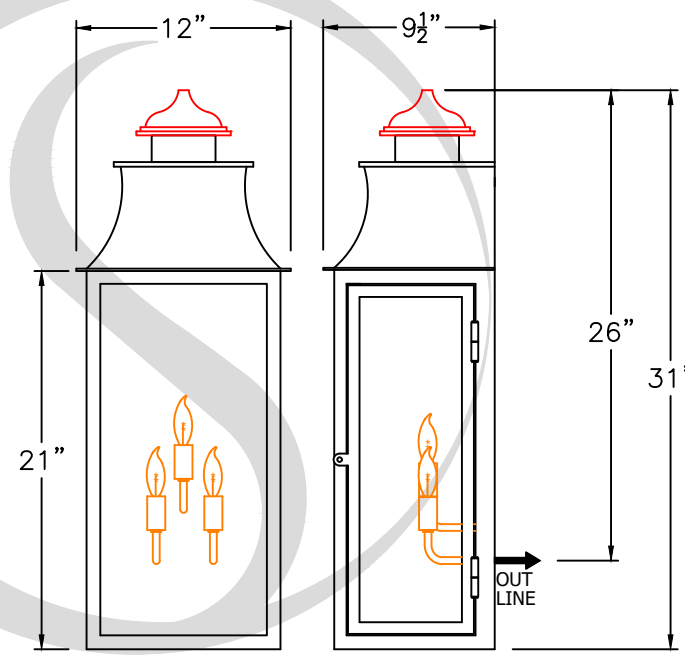


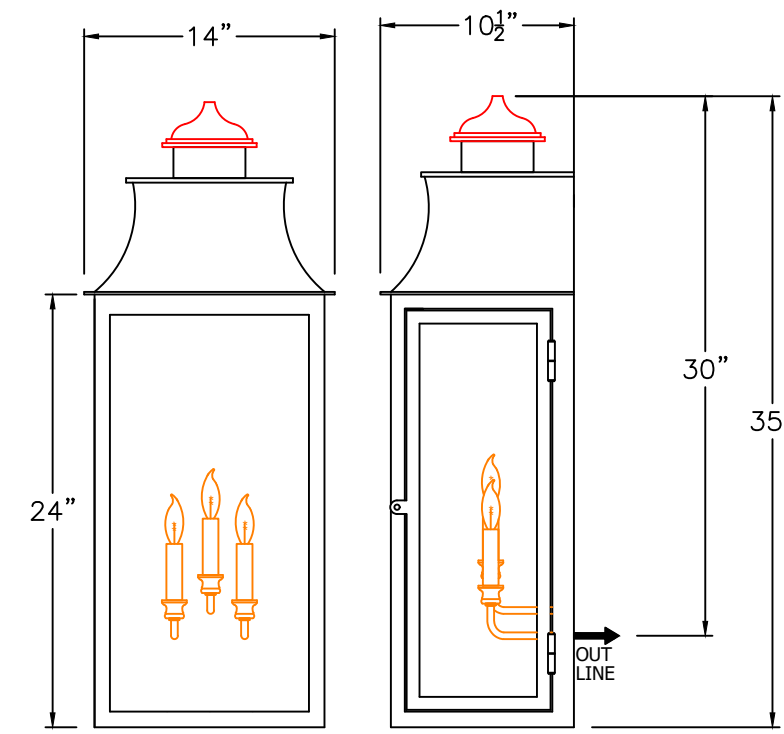
SMALL
C022-001
8 1/2" W X 23" H X 7" D



MEDIUM
C022-002
10" W X 27" H X 8 1/2" D



LARGE
C022-003
12" W X 31" H X 9 1/2" D



XLARGE
C022-004
14" W X 35" H X 10 1/2" D

SOLARA
custom doors + lighting

DIMENSIONS		
WIDTH	HIGH	DEPTH
"	"	"
SIZE	CODE	
SET	C-022	

* ACTUAL DIMENSIONS MAY VARY UP TO 1/2"

CUSTOM DRAWING CHANGES

© 2022 SOLARA ENCHAINMENT
UNAUTHORIZED USE OF THIS
PLAN IS IN VIOLATION OF THE
U.S. COPYRIGHT ACT TITLE 17
OF THE U.S. CODE.



DESIGN: NIPPON
LINE: FLUSH SCONCE
FILE: MOD-C-022-00SET-EL-S100-V1
DATE REV: 16/02/2022 DRAWN BY: IAVS