

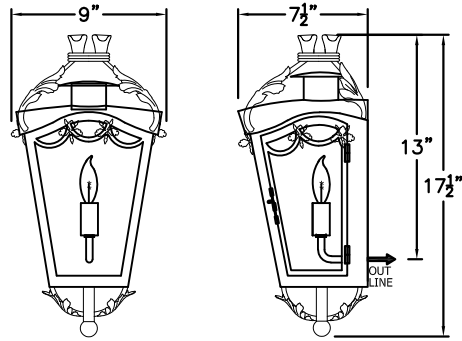
# SOLARA LIGHTING NAPA



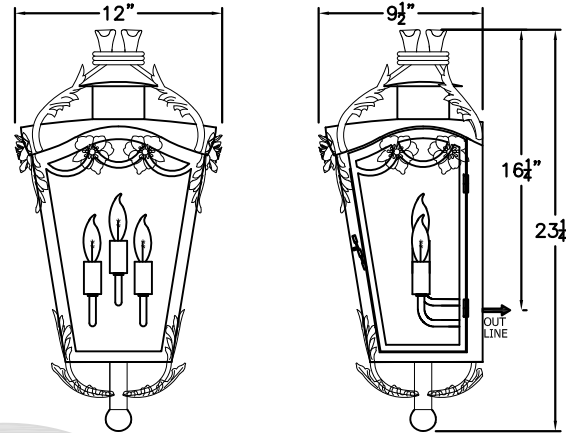
[www.solarcustomdoorsandlighting.com](http://www.solarcustomdoorsandlighting.com)

1-888-8SOLARA

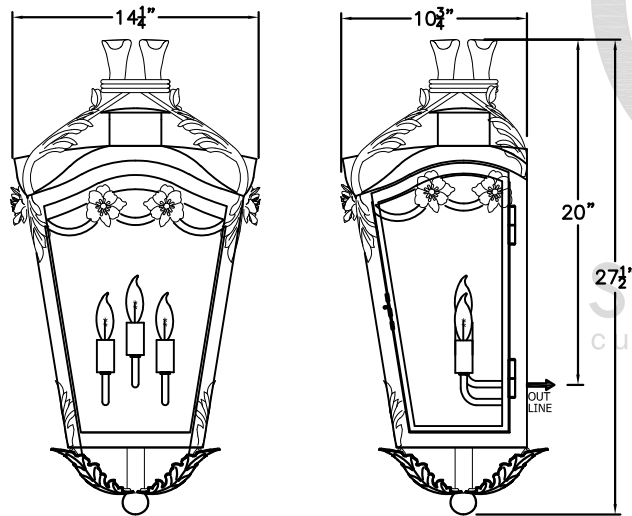
---



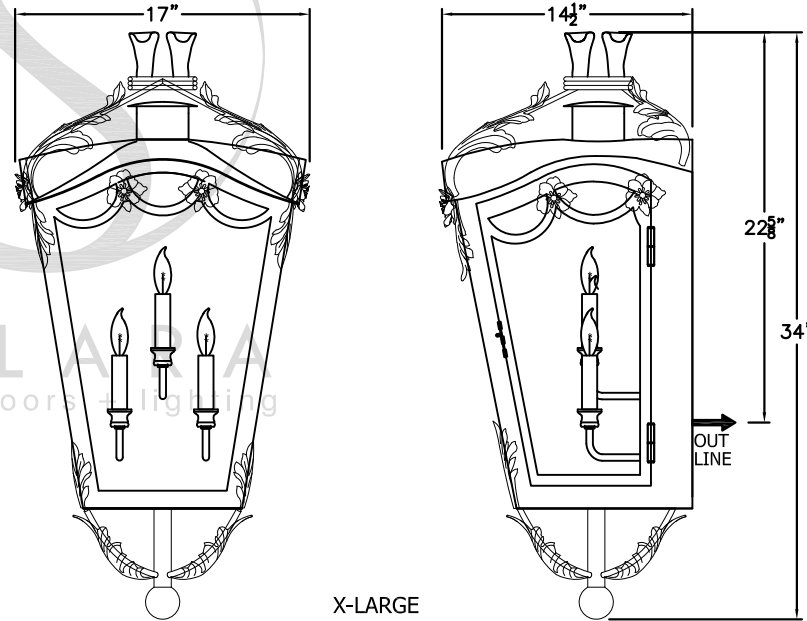
SMALL  
D-001-001  
9"W X 17 1/2" H X 7 1/2" D



MEDIUM  
D-001-002  
12"W X 23 1/4" H X 9 1/2" D



LARGE  
D-001-003  
14 1/4" W X 27 1/2" H X 10 3/4" D



X-LARGE  
D-001-004  
17" W X 34" H X 14 1/2" D

AVAILABLE IN  
GAS & ELECTRIC  
WITH EXCEPTION  
OF SMALL SIZE

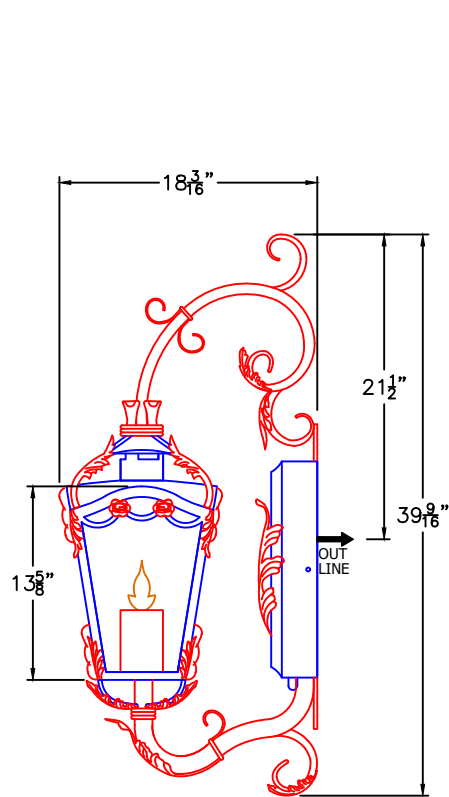
\* ACTUAL DIMENSIONS MAY VARY UP TO 1/2"

CUSTOM DRAWING CHANGES

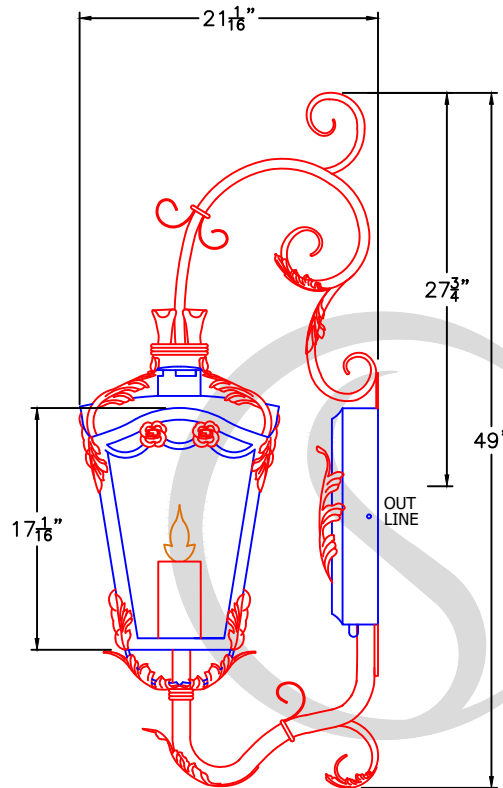
© 2017 SOLARA ENCHAINMENT  
UNAUTHORIZED USE OF THIS  
PLAN IS IN VIOLATION OF THE  
U.S. COPYRIGHT ACT TITLE 17  
OF THE U.S. CODE.



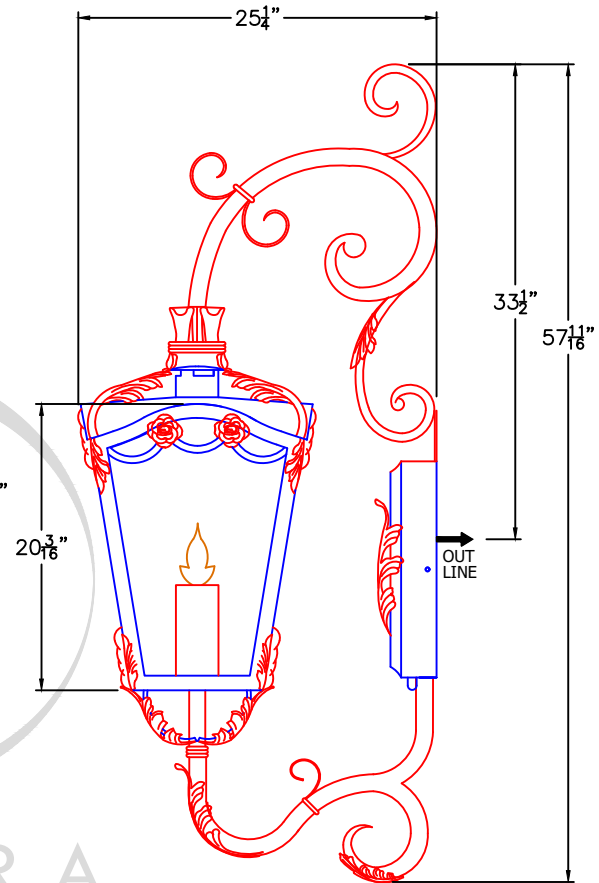
|            |                        |
|------------|------------------------|
| DESIGN:    | NAPA                   |
| LINE:      | SCONCE                 |
| FILE:      | D-001-00SET-EL-S100-V2 |
| DATE REV : | 13/OCT/17              |
| DRAWN BY : | MAS                    |



MEDIUM  
D-001C-012  
11 1/2" W X 39 1/2" H X 18" D



LARGE  
D-001C-013  
14" W X 49" H X 21" D



XLARGE  
D-001C-014  
17" W X 57 1/2" H X 25 1/2" D

AVAILABLE IN  
GAS & ELECTRIC  
WITH EXCEPTION  
OF SMALL SIZE

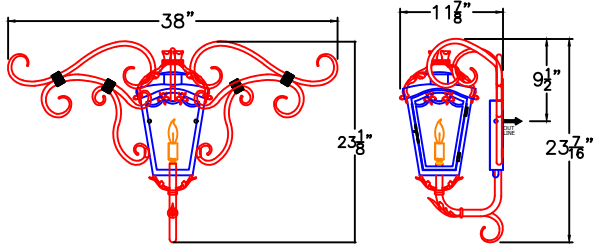
\* ACTUAL DIMENSIONS MAY VARY UP TO 1/2"

CUSTOM DRAWING CHANGES

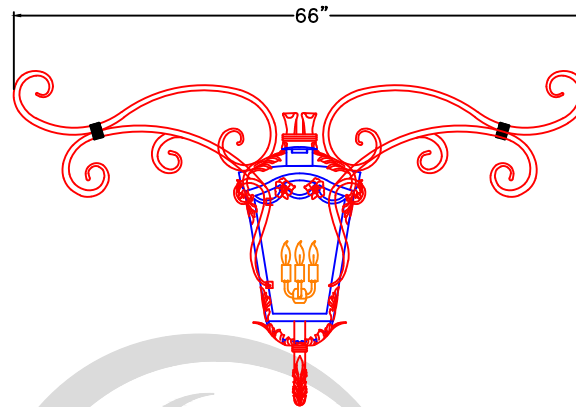
© 2023 SOLARA ENCHAINMENT  
UNAUTHORIZED USE OF THIS  
PLAN IS IN VIOLATION OF THE  
U.S. COPYRIGHT ACT TITLE 17  
OF THE U.S. CODE.



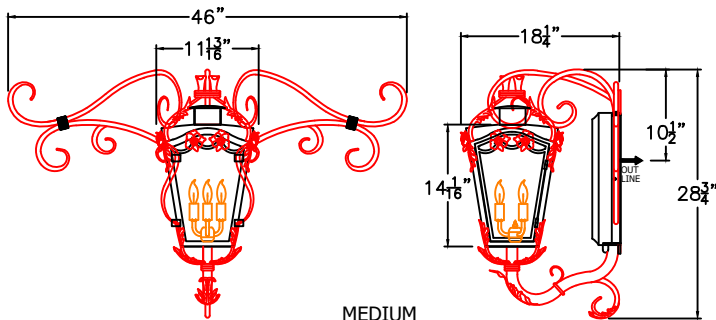
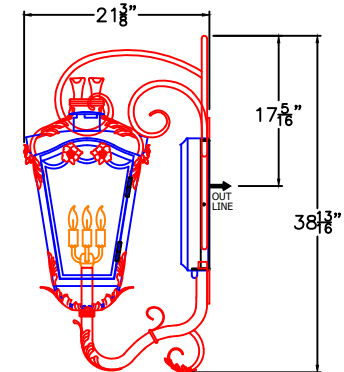
|           |                            |
|-----------|----------------------------|
| DESIGN:   | NAPA CAST                  |
| LINE:     | WALL MOUNT                 |
| FILE:     | CLA-D-001-01SET-EG-S100-V1 |
| DATE REV: | 09/03/2022                 |
| DRAWN BY: | IAVS                       |



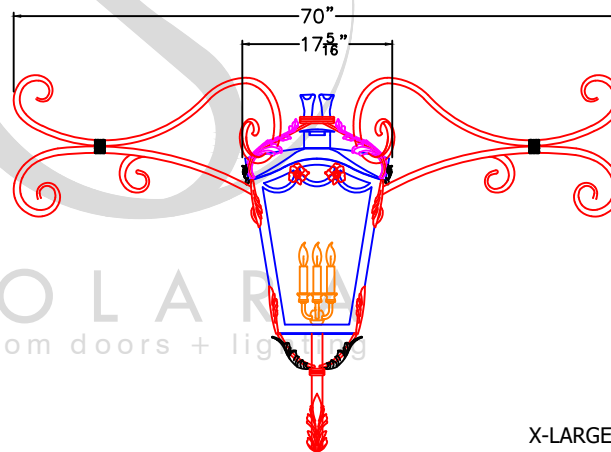
SMALL  
D-001-021  
38" W X 23 7/16" H X 11 7/8" D



LARGE  
D-001-023  
66" W X 38 13/16" H X 21 3/8" D

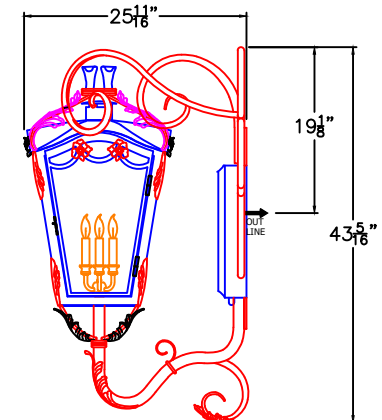


MEDIUM  
D-001-022  
46" W X 28 3/4" H X 18 1/4" D



FRONT VIEW

X-LARGE  
D-001-024  
70" W X 43 5/16" H X 25 11/16" D



SIDE VIEW

FRONT VIEW

\* ACTUAL DIMENSIONS MAY VARY UP TO 1/2"

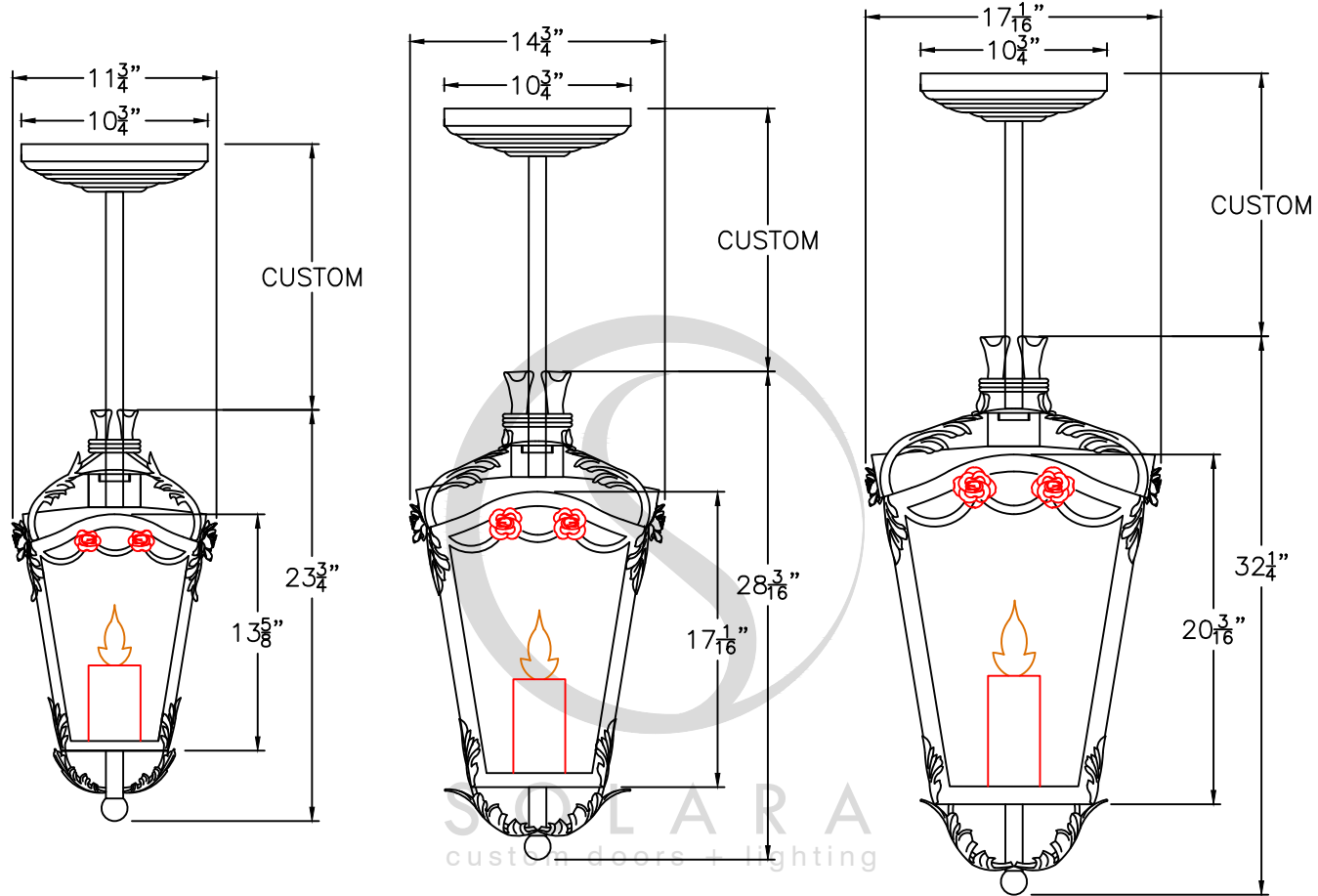
CUSTOM DRAWING CHANGES

© 2017 SOLARA ENCHAINMENT  
UNAUTHORIZED USE OF THIS  
PLAN IS IN VIOLATION OF THE  
U.S. COPYRIGHT ACT TITLE 17  
OF THE U.S. CODE.



|           |                            |
|-----------|----------------------------|
| DESIGN:   | NAPA                       |
| LINE:     | CENTRAL MOUNT              |
| FILE:     | CLA-D-001-02SET-EL-S100-V1 |
| DATE REV: | 18/01/22                   |
| DRAWN BY: | TAVS                       |





MEDIUM  
D-001-032  
12" W X 23 1/2" H

LARGE  
D-001-033  
14 1/2" W X 28" H

XLARGE  
D-001-034  
17" W X 32 1/2" H

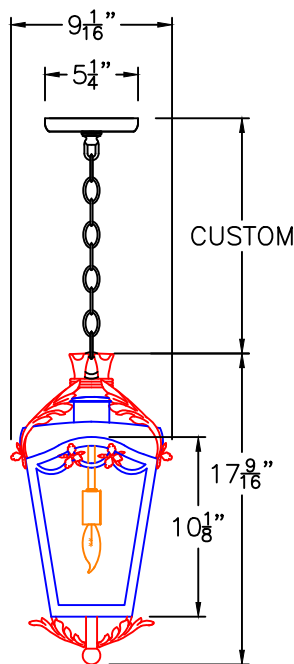
AVAILABLE IN  
GAS & ELECTRIC  
WITH EXCEPTION  
OF SMALL SIZE  
\* ACTUAL DIMENSIONS MAY VARY UP TO 1/2"

CUSTOM DRAWING CHANGES

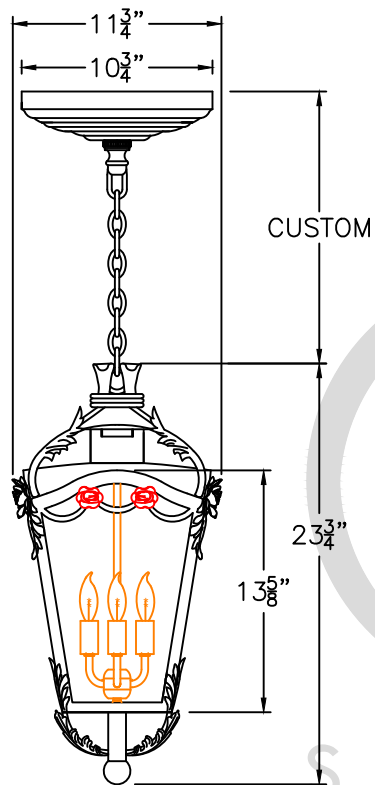
© 2023 SOLARA ENCHAINMENT  
UNAUTHORIZED USE OF THIS  
PLAN IS IN VIOLATION OF THE  
U.S. COPYRIGHT ACT TITLE 17  
OF THE U.S. CODE.



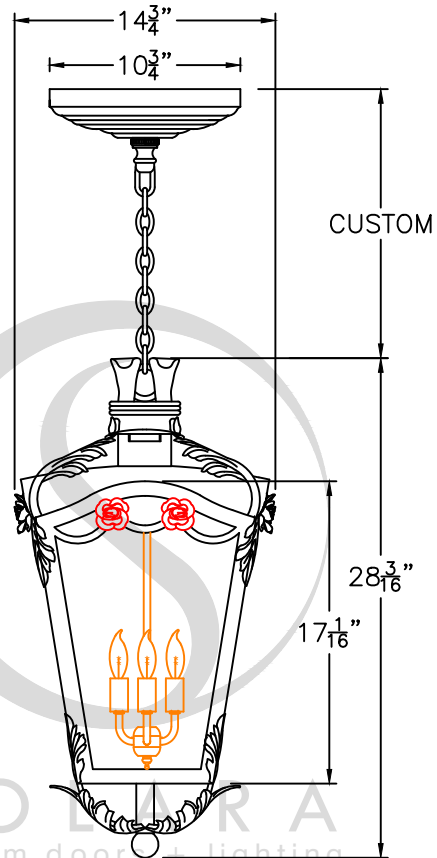
|           |                            |
|-----------|----------------------------|
| DESIGN:   | NAPA CAST                  |
| LINE:     | PENDANT STEM               |
| FILE:     | CLA-D-001-03SET-EG-S100-V1 |
| DATE REV: | 09/03/2022                 |
| DRAWN BY: | IAMS                       |



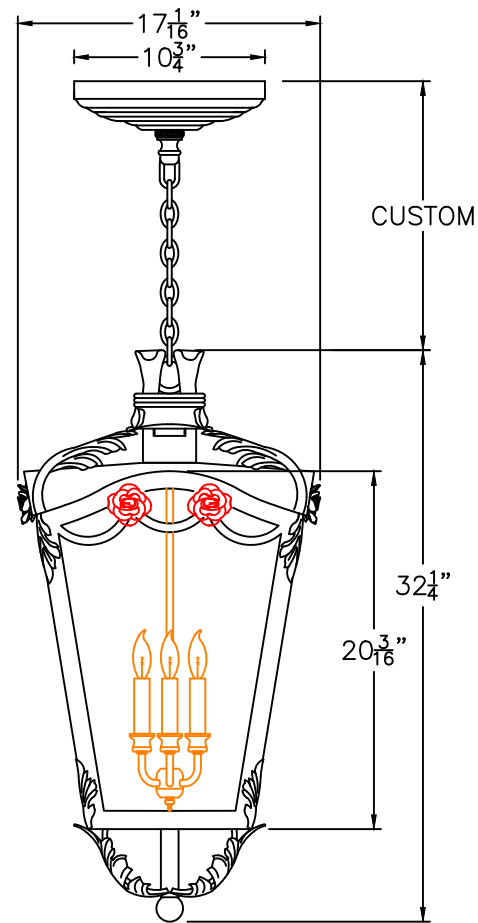
SMALL  
D-001-041  
12" W X 17 1/2" H



MEDIUM  
D-001-042  
12" W X 23 1/2" H



LARGE  
D-001-043  
14 1/2" W X 28" H



XLARGE  
D-001-044  
17" W X 32 1/2" H

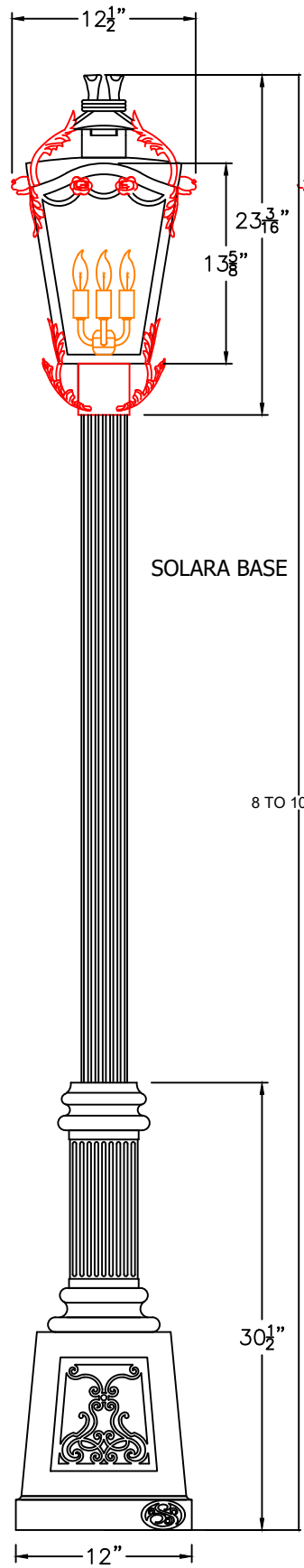
ONLY AVAILABLE  
IN ELECTRIC  
\* ACTUAL DIMENSIONS MAY VARY UP TO 1/2"

CUSTOM DRAWING CHANGES

© 2023 SOLARA ENCHAINMENT  
UNAUTHORIZED USE OF THIS  
PLAN IS IN VIOLATION OF THE  
U.S. COPYRIGHT ACT TITLE 17  
OF THE U.S. CODE.



|           |                            |
|-----------|----------------------------|
| DESIGN:   | NAPA CAST                  |
| LINE:     | PENDANT CHAIN              |
| FILE:     | CLA-D-001-04SET-EL-S100-V1 |
| DATE REV: | 09/03/2022 DRAWN BY: IAVS  |

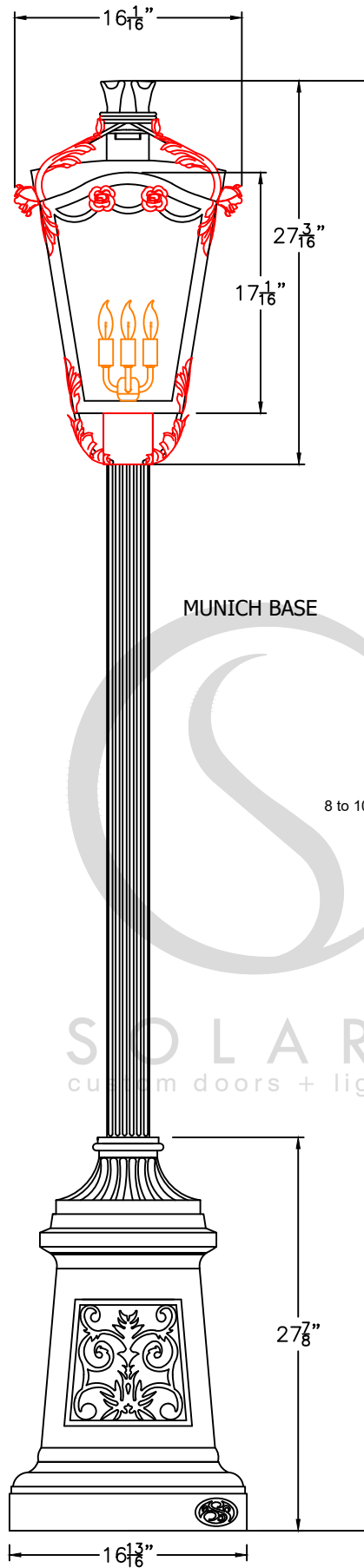


SOLARA BASE

8 TO 10' MAX

30 1/2"

12"

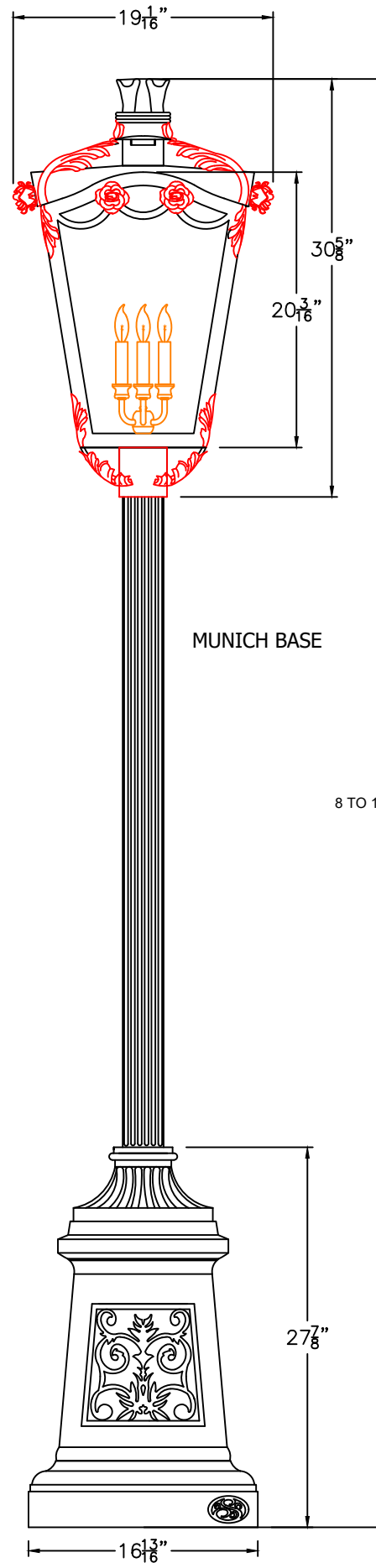


MUNICH BASE

8 TO 10' MAX

27 7/8"

16 3/8"



MUNICH BASE

8 TO 10' MAX

27 7/8"

16 1/8"

AVAILABLE IN  
GAS & ELECTRIC  
WITH EXCEPTION  
OF SMALL SIZE

FRONT VIEW

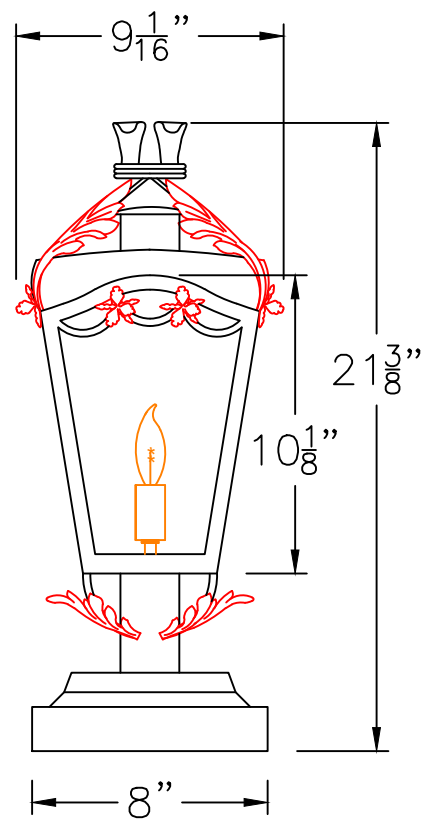
\* ACTUAL DIMENSIONS MAY VARY UP TO 1/2"

CUSTOM  
DRAWING  
CHANGES

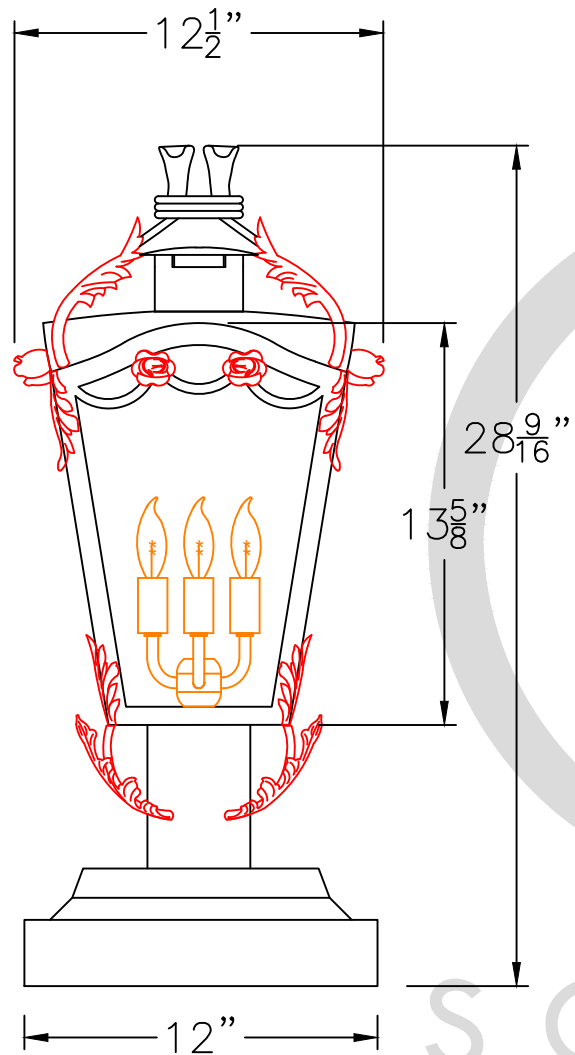
© 2022 SOLARA ENCHAINMENT  
UNAUTHORIZED USE OF THIS  
PLAN IS IN VIOLATION OF THE  
U.S. COPYRIGHT ACT TITLE 17  
OF THE U.S. CODE.



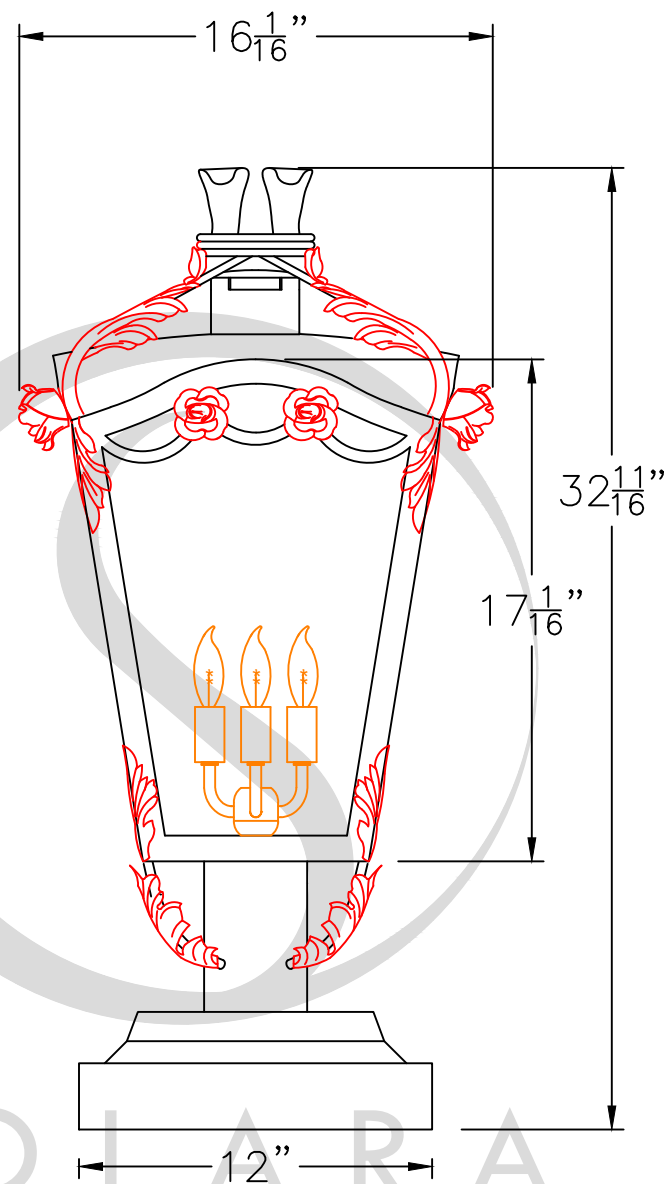
|            |                        |
|------------|------------------------|
| DESIGN:    | NAPA                   |
| LINE:      | POST MOUNT             |
| FILE:      | D-001-05SET-EG-S100-V2 |
| DATE REV : | 22/12/2022             |
| DRAWN BY : | IAVS                   |



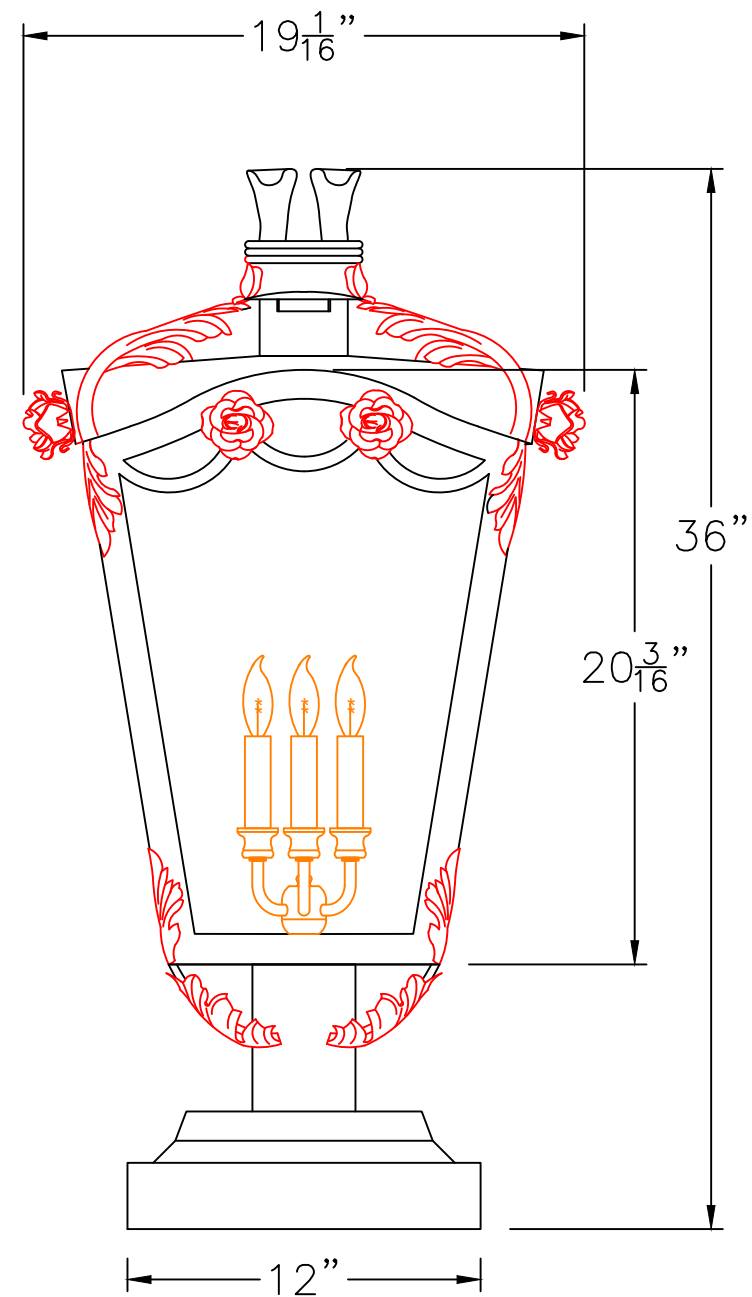
**SMALL**  
D-001-061  
9" W X 21 1/2" H



**MEDIUM**  
D-001-062  
12 1/2" W X 28 1/2" H



**LARGE**  
D-001-063  
16 1/16" W X 32 1/2" H



**XLARGE**  
D-001-064  
19 1/16" W X 36" H

AVAILABLE IN  
GAS & ELECTRIC  
WITH EXCEPTION  
OF SMALL SIZE

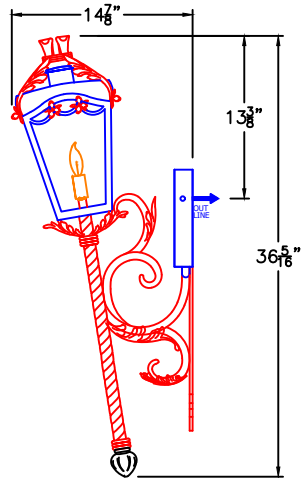
\* ACTUAL DIMENSIONS MAY VARY UP TO 1/2"

CUSTOM DRAWING CHANGES

© 2022 SOLARA ENCHAINMENT  
UNAUTHORIZED USE OF THIS  
PLAN IS IN VIOLATION OF THE  
U.S. COPYRIGHT ACT TITLE 17  
OF THE U.S. CODE.

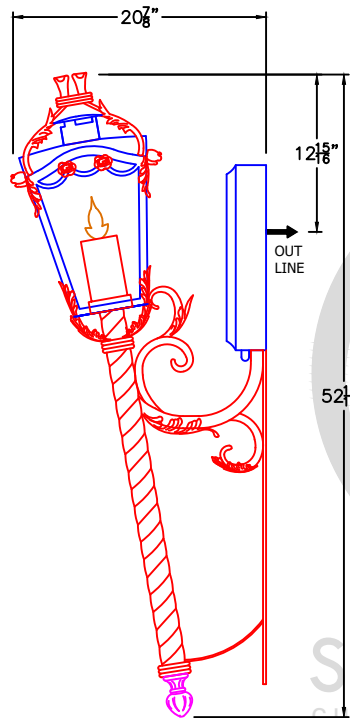


|           |                        |
|-----------|------------------------|
| DESIGN:   | NAPA                   |
| LINE:     | PIER MOUNT             |
| FILE:     | D-001-06SET-EL-S100-V2 |
| DATE REV: | 04/10/2022             |
| DRAWN BY: | IAVS                   |



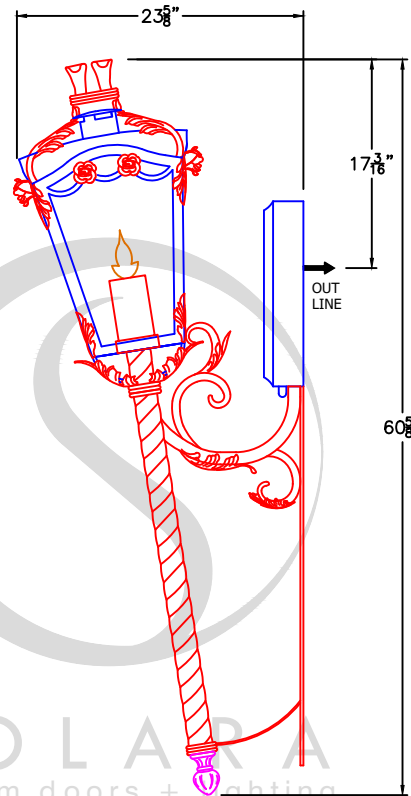
MEDIUM  
D-001-081

12" W X 53" H X 14 7/8" D



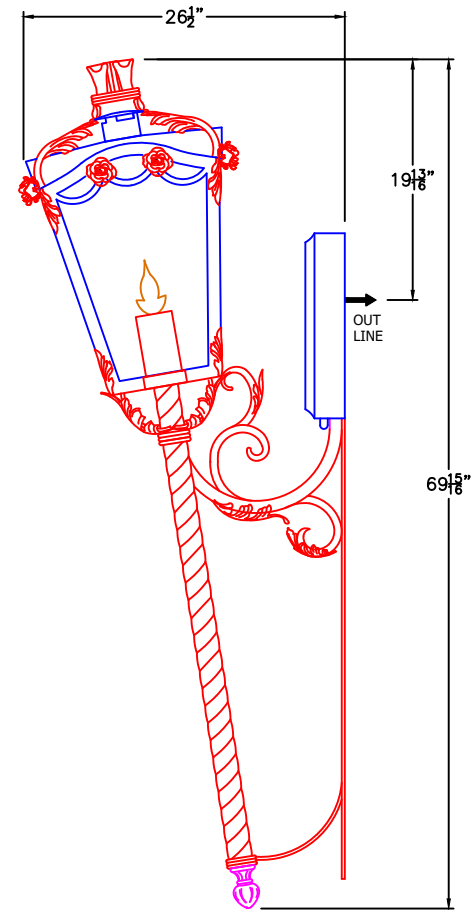
MEDIUM  
D-001-082

12 1/2" W X 53" H X 21" D



LARGE  
D-001-083

15 9/16" W X 60 1/2" H X 23 1/2" D



XLARGE  
D-001-084

18 1/4" W X 70" H X 26 1/2" D

FRONT VIEW

AVAILABLE IN  
GAS & ELECTRIC  
WITH EXCEPTION  
OF SMALL SIZE

\* ACTUAL DIMENSIONS MAY VARY UP TO 1/2"

CUSTOM DRAWING CHANGES

© 2017 SOLARA ENCHAINMENT  
UNAUTHORIZED USE OF THIS  
PLAN IS IN VIOLATION OF THE  
U.S. COPYRIGHT ACT TITLE 17  
OF THE U.S. CODE.



|            |                            |
|------------|----------------------------|
| DESIGN:    | NAPA                       |
| LINE:      | TORCH WET                  |
| FILE:      | CLA-C-001-08SET-EG-S100-V1 |
| DATE REV : | 22/12/2022                 |
| DRAWN BY : | IAVS                       |